

Guardia, 23.4" Bottom Freezer Refrigerator Left Swing, 10.8 cu.ft.

Model: FFFFD1778-24LS



FEATURES AND BENEFITS

- Total No Frost
- Multi Air Flow(No metal air flow)
- °F / °C Transform Ease
- Interior LED Lighting
- 3 Glass Adjustable Shelves with silver trim
- Total of 5 Drawers with Silver Trim
- 2 Crispers Drawers & 3 Freezer Drawers
- 3 Transparent Door Bin
- Internal electronic Touch Control
- 2 Stainless Steel Door Handle
- E-star

APPEARANCE

Advertise Unit Width	24"
Unit style	Column refrigerator
Counter-Depth	Yes
Convertible	NO
Refrigerator/Freezer	
Built-in / Freestanding	Freestanding
Door color	Stainless steel
Door liner Material	High Impact Polystyrene
Finger print resistant	No
Handle color	Stainless steel
Case material	Dark gray
Cabinet liner Material	Steel
Shelf material	Glass
Door Bins material	High Impact Polystyrene
Door Bins color	Transparent

FEATURES

Control type	Touch Control
Air Flow	Yes
Defrost Type	Automatic
Sabbath Mode	No
Reversible doors	No
Energy Saver	Yes
Super Cool	Yes
Super Freeze	Yes
Door alarm	Yes
Lighting type	LEDs
Leak Proof Shelves	No
Leveling legs	Yes
Ice maker	No
Dispenser	No

COMPARTMENT

Capacity (cu.ft)	10.8
Interior Dimensions (cu.ft)	
Refrigerator	7.4
Freezer	3.4
Temperature Range (°C)	
Refrigerator	2-8°C
Freezer	≤-24°C
Adjustable Shelves	Yes
Number of Shelve Levels	4
Refrigerator Drawers	2
Freezer Drawers	3
Standard Bin	Yes
Gallon Bins	No

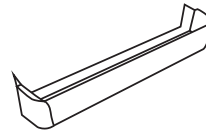
DIMENSIONS & WEIGHT

Product dimensions (WxDxH)(in)	23.4 x 73.2 x 24.9
Net weight (lbs)	151.8 lbs 69 Kg
Packaging dimensions (WxDxH)(in)	24.7 x 25.4 x 76.2
Shipping Weight (lbs)	147.7 lbs 68kg

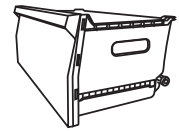
TECHNICAL SPECIFICATIONS

Running Amperage:	1.3 Amps
Circuit Breaker Amperage:	15 Amps
Volts:	115V
Frequency:	60Hz
Power Cord Length:	7 feet
Receptacle Type:	3-Prong NEMA 5-15
Inverter Compressor:	Constant Frequency Com.
Refrigerant:	R600a
Sound Rating	39 dBA
Energy Efficiency Class	E-Star
Certification	UL listed

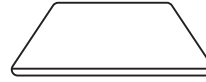
ACCESSORIES



3x Gallon Bins



5x Drawers

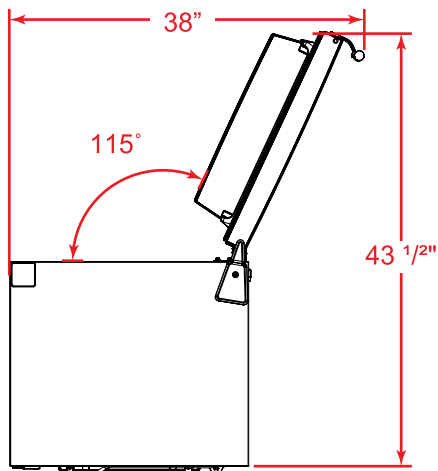
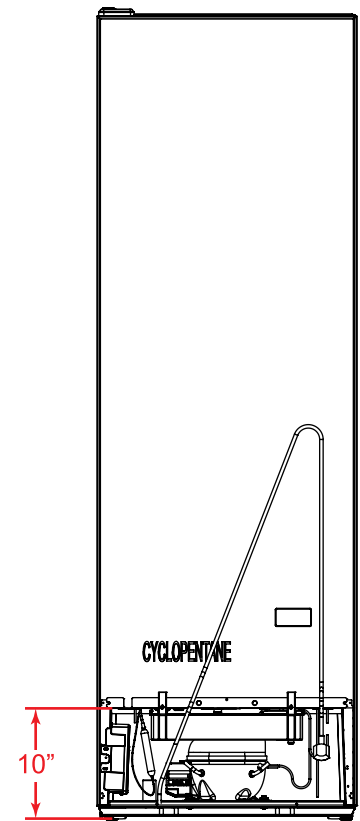
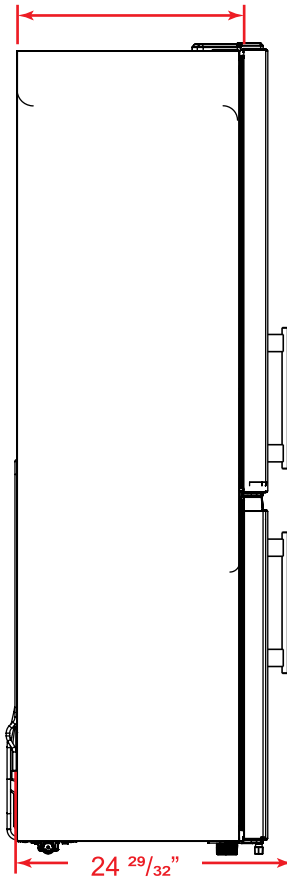
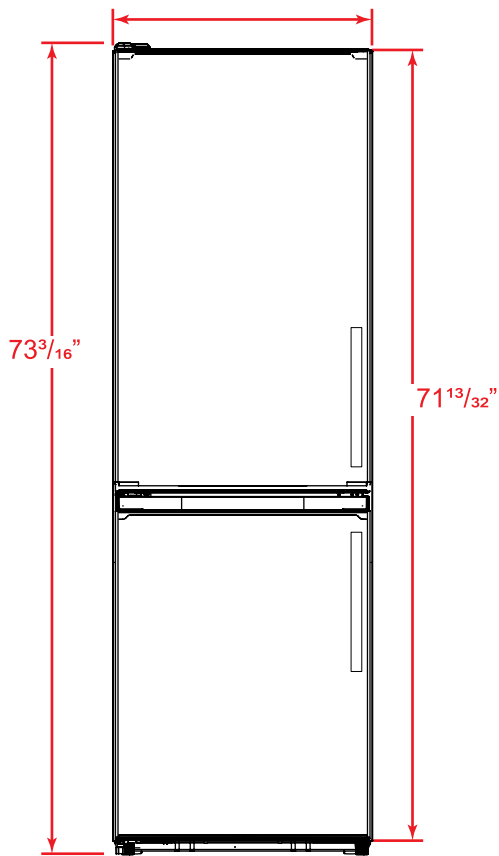


3x Glass Shelves



2x Stainless Steel Handles

PRODUCT DIMENSION



CUTOUT DIMERNSION

