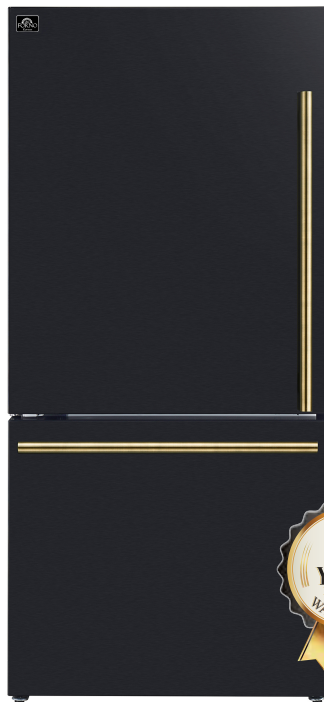


Forno Milano Espresso 31-Inch Black 17.2 cu.ft. Bottom Freezer Refrigerator with Built-In Ice Maker, ENERGY STAR Certified

Model: FFFFD1786-31BLK



ADDITIONAL
HANDLES INCLUDED



FEATURES AND BENEFITS

- Compact 31" size, 17.2 cu ft capacity—ideal for kitchen, offering ample storage without compromising style or space.
- Two full-width freezer drawers optimize organization and accessibility in the bottom freezer design.
- Digital touch control sets precise temperatures, provides real-time data, and alerts for maintaining fresh, safe food storage.
- Antique Brass Handles - Offers an extra touch of elegance with a supplementary set of antique-brass handles, allowing you to transform the appearance of both your unit and kitchen.
- ENERGY STAR Certified - Not only puts more money back in your pocket but also contributes to a greener planet.

APPEARANCE

Popular Unit Width	31-Inch
Unit Style	Bottom freezer
Counter-Depth	Yes
Installation Type	Freestanding
Door Color	Black
Door Liner Material	White HIPS
Fingerprint Resistant	Yes
Reversible Doors	No
Handle color	Stainless Steel, Antique Brass
Case material	Metal
Cabinet Color	Black
Shelf material	Glass
Door Bins material	PVC
Door Bins color	Transparent

FEATURES

Overall Storage Capacity	17.2 cu.ft.
Control Type	Electronic Temperature Control
Control Location	Internal
LED Display	Yes
Convertible °F to °C	Yes
Cooling Type	Multi Air Flow
Defrost Type	Automatic / Total No Frost
Sabbath Mode	No
Energy Saver	Yes
Super Cool	Yes
Super Freeze	Yes
Door-Ajar Alarm	Yes
Refrigerator Light	Yes
Freezer Light	Yes
Lighting type	LED
Leak Proof Shelves	No
Adjustable legs	Yes x2
Ice maker	Yes
Daily Ice Production	3 lbs
Automatic Ice Level Control	Yes
Water Dispenser	No
Sound Rating	43 dBA
ENERGY STAR Certified	Yes

REFRIGERATION SECTION

Storage Capacity	12.1 cu.ft.
Interior Dimensions (WxDxH-Inch)	26.81" x 21.08" x 35.91"
Temperature Range	34°F to 44°F (1°C to 7°C)
Door Type	Left Swing Door
Door Storage	Yes x5
Adjustable Door Storage	Yes
Gallon Bin	Yes x1 Full Width
Number of Shelves	4
Adjustable Shelves	Yes x3
Shelves Dimensions (WxDxH-Inch)	26.7" x 14.3" x 0.37"
Crisper Drawer	Yes x1 Full Width

FREEZER SECTION

Storage Capacity	5.1 cu.ft.
Interior Dimensions (WxDxH-Inch)	24.45" x 16.00" x 22.68"
Temperature Range	-11°F to 7°F (-24°C to -14°C)
Door Type	Pull-Out Drawer
Door Storage	No
Number of Freezer Basket	2
Removable Ice Bin	Yes
Basket Dimensions (WxDxH-Inch)	
Upper Basket	24.84" x 14.96" x 7.95"
Lower Basket	25.7" x 14.78" x 11.38"
Ice Bin	9.37" x 13.33" x 6.30"

PRODUCT DIMENSIONS & WEIGHT

Product Dimensions (WxDxH-Inch)	31.1" x 23.6" x 69.1"
Product Weight (Lbs.)	196 lbs

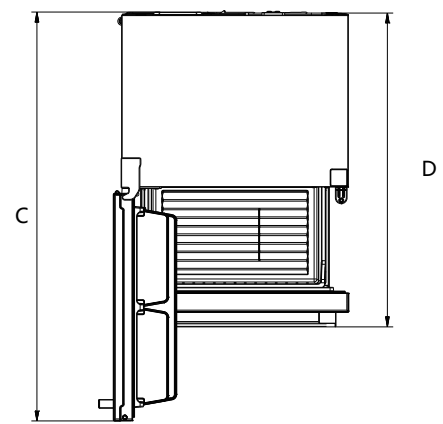
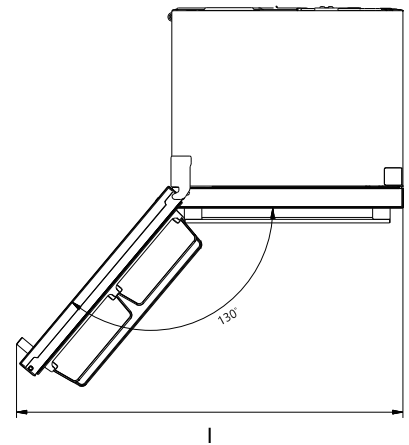
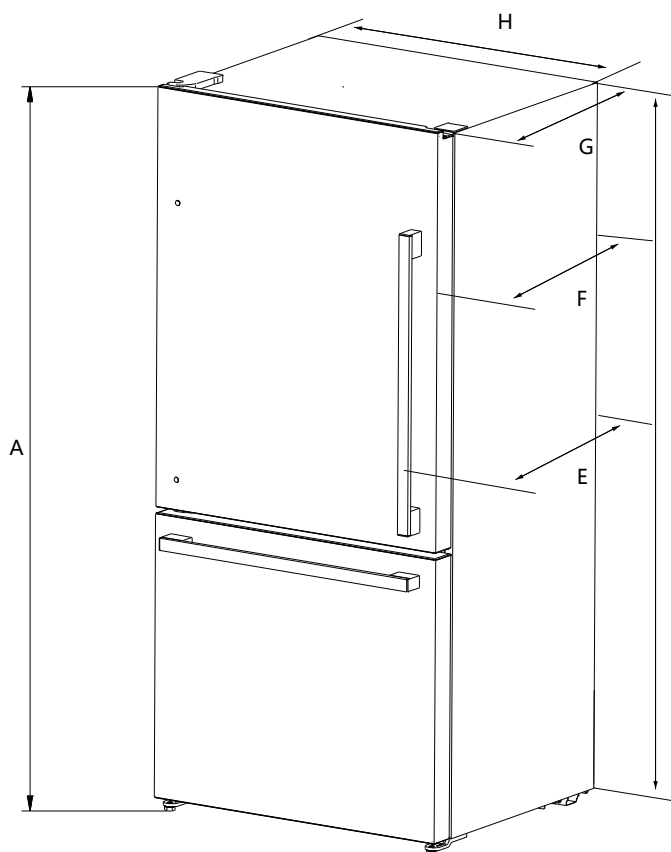
TECHNICAL SPECIFICATIONS

Running Amperage	1.25 Amps
Circuit Breaker Amperage	15 Amps
Volts	115V
Frequency	60Hz
Power Cord Length	1.7m (5.6 ft)
Receptacle Type	3-Prong NEMA 5-15
Compressor Type	Inverter Compressor
Refrigerant	R600a
Certification	UL listed

CARTON DIMENSIONS & WEIGHT

Carton Dimensions (WxDxH-Inch)	33" x 28.6" X 71.6"
Packing Weight (Lbs.)	214 lbs

DETAILED PRODUCT DIMENSION



Capacity cu.ft	Height overall "B"	Height-Top Of Cabinet "B"	Depth-Doors Open 90° "C"	Depth-Drawer Open "D"	Depth-with Handles "E"	Depth-without Handles "F"	Depth-Cabinet "G"	Width-Cabinet "H"	Width Doors Open 130° "I"
17.2	69.1" (1756mm)	68.5" (1740mm)	56.3" (1430mm)	43.3" (1101mm)	29.1" (740mm)	26.6" (675.5mm)	23.6" (600mm)	31.1" (790mm)	52" (1321mm)