

**33 inch 18 CU.FT French Door No Frost Refrigerator**

**MODEL NUMBER SERIES: FFFFD1791-33RED**

## **INSTRUCTION MANUAL & INSTALLATION GUIDE**

Read these instructions carefully before using your appliance, and keep it carefully.  
If you follow the instructions, your appliance will provide you with many years of good service.



## TABLE OF CONTENTS

Customer Care	4
Warning	5
Important Safety	6
Product Dimension	7
Cutout	8
Names of Parts and Accessories	9
Installations	10
Operating Instruction	10
Adjusting the Temperature Setting	11
Care and Maintenance	11
Cleaning your Refrigerator	12
Moving the Refrigerator	12
Racking Configuration	12
How to Remove a Sliding Shelf and Drawer	12
Troubleshooting	13
Wire Diagram	14
Warranty	15

## Customer Care

---

Thank you for purchasing a Forno product. Please read the entire instruction manual before operating your new appliance for the first time. Whether you are an occasional user or an expert, it will be beneficial to familiarize yourself with the safety practices, features, operation and care recommendations of your appliance.

Both the model and serial number are listed inside the product. For warranty purposes, you will also need the date of purchase .

Record this information below for future referenc

### Product Information

Model Number : \_\_\_\_\_

Serial Number :

Date of Purchase : \_\_\_\_\_

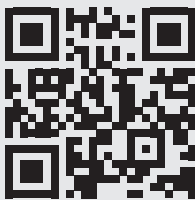
Purchase Address And Phone :

### Service Information

Use these numbers in any correspondence or services calls concerning your product.

If you received a damaged product, immediately contact Forno.

To save time and money, before you call for serviced, check the troubleshooting guide. It listed the causes of minor operation problems that you can correct yourself.



“Need some quick help? Simply scan the qr code and get access to our fast support form. We’re always here to assist you with any questions or concerns you may have. So, don’t hesitate to reach out!”

### Services in Canada and Untied States

Keep the instruction manual handy to answer your questions. If you don’t understand something or need more assistance, please visit our website for fast support. Please provide us your name, number, address,serial number of the product that troubleshooting, proof of purchase, and a short description of the issue. A customer service representative will contact you as soon as possible. All warranty work needs to be authorized by FORNO customer service. All our authorized service providers are carefully selected and rigorously trained by us.



**WARNING**  
FOR YOUR SAFETY

We have provided many important safety messages in this manual and on your appliance. Always read and obey all safety messages



This is the safety alert symbol. This symbol alerts you to potential hazards that can kill or hurt you and others. All safety messages will follow the safety alert symbol and either the word “DANGER,” “WARNING” or “CAUTION.” These words mean:



**DANGER**

- You can be killed or seriously injured if you don't immediately follow instructions.



**WARNING**

- You can be killed or seriously injured if you don't follow instructions.



**CAUTION**

- A potentially hazardous situation which, if not avoided, could result in minor or moderate injury.

All safety messages will tell you what the potential hazard is, tell you how to reduce the chance of injury, and tell you what can happen if the instructions are not followed.



**WARNING** : This product can expose you to chemicals including [Lead, lead and lead compound, which is [are] known to the state of California to cause cancer and birth defects or other reproductive harm. For more information go to [www.P65Warning.ca.gov](http://www.P65Warning.ca.gov).

## Tip Over Hazard

- A child or adult can tip the cellar and be killed.
- Install anti-tip bracket to floor per installation instructions.
- Slide cellar back so rear is engaged in the slot of the anti-tip bracket.
- Re-engage the anti-tip bracket if cellar is moved.
- Do not operate the cellar without anti-tip bracket installed and engaged.
- Failure to follow these instructions can result in death or serious injuries to children and adults.

## Important Safety Instructions

---

- The appliance is intended to be used exclusively for storage of wine and beverage.
- Make sure the voltage/current marked on the rating label corresponds with your supply voltage. Plug into a grounded 3-pin outlet, do not remove grounding pin, do not use an adapter, and do not use an extension cord.
- Do not connect or disconnect the electric plug when your hands are wet.
- Ensure enough peoples to move and install the appliance to avoid any damage to the appliance or injury to the peoples.
- To ensure proper ventilation for the appliance, the front of the unit must be completely unobstructed. Locate the unit away from direct sunlight and sources of heat (stove, heater, radiator, etc.).
- This appliance is not intended for use by young children.
- Do not use this appliance for other than its intended purpose.
- The use of attachments not recommended by the manufacturer may be hazardous.
- The symbol on the product or its packaging indicates that this product is not to be handled as normal household waste and it is to be taken to a recycling collection point for electrical and electronic goods.
- Component parts shall be replaced with like components and that servicing shall be done by factory authorized service personnel.

### IMPORTANT SAFETY INFORMATION - DANGER! RISK OF CHILD ENTRAPMENT

Before you throw away your old appliance:

Take off the doors.

Leave the shelves in place so that children may not easily climb inside.

Make sure the coolant circuit, particularly the heat exchanger at the back/bottom of the unit not be damaged.

#### CAUTION

To prevent a child from being entrapped, keep out of reach of children and not in the vicinity or appliance.

Refrigerants:

R600a is a kind of high performance green refrigerants, derived from natural ingredients, does not damage the ozone layer, without the greenhouse effect. Its characteristic is the strong cooling performance, low power consumption. All refrigeration products contain refrigerants, which under federal law must be removed prior to product disposal. If you are getting rid of an old refrigeration product, check with a qualified disposal company for instructions.

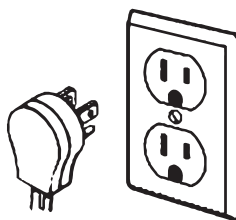
This appliance must be grounded. In the event of an electrical short circuit, grounding reduces the risk of electric shock by providing an escape wire for the electric current. This appliance is equipped with a cord having a grounding wire with a grounding plug. The plug must be plugged into an outlet that is properly installed and grounded.

#### WARNING:

Improper use of grounding can result in a risk of electric shock.

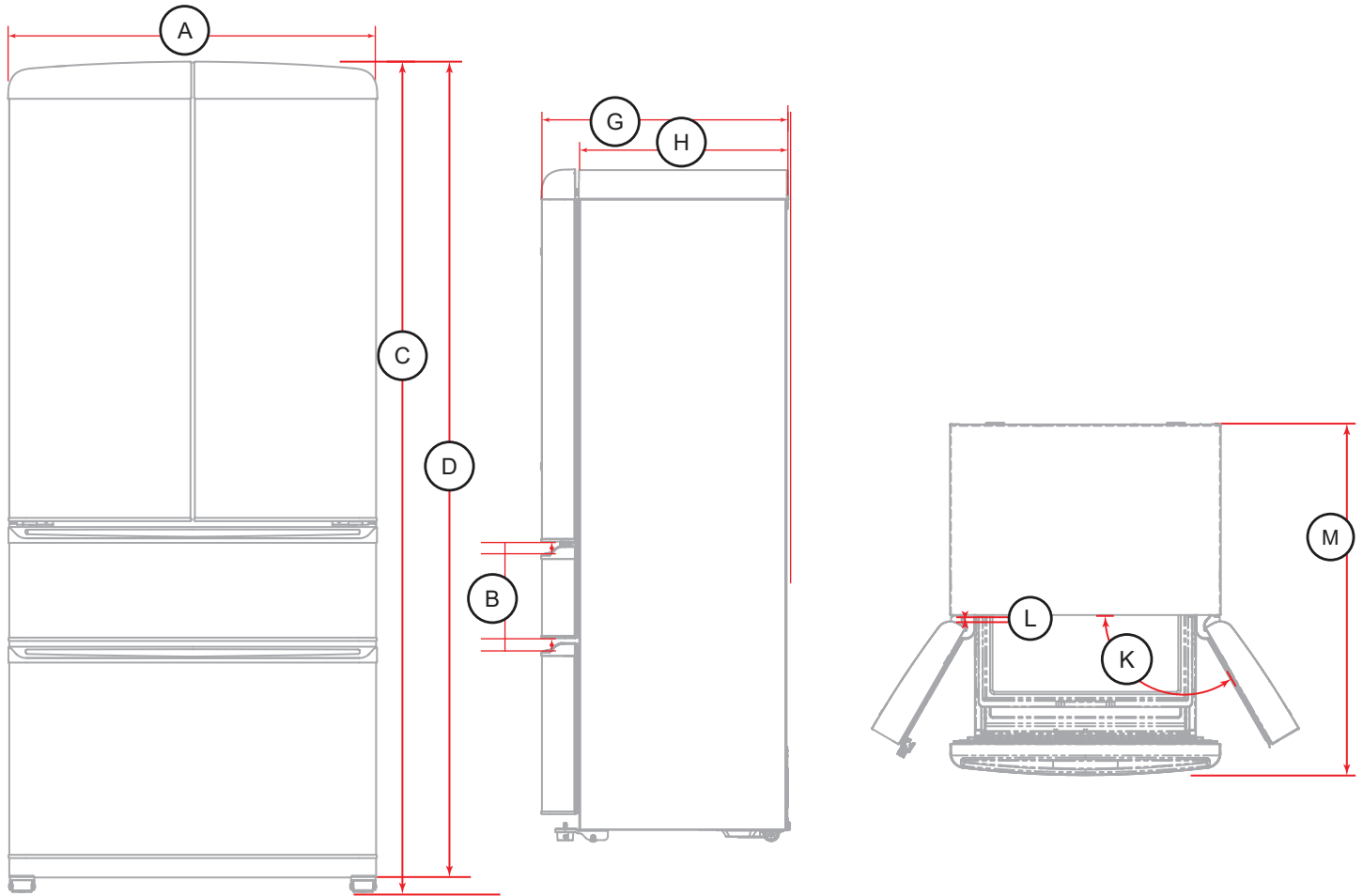
1. Consult a qualified electrician or serviceman if the grounding instructions are not completely understood or if doubt exists as to whether the appliance is properly grounded.
2. If it is necessary to use an extension cord, use only a 3-wire extension cord that has a 3-blade grounding plug, and a 3- slot receptacle that will accept the plug on the appliance. The marked electrical rating of the extension cord s hall be not less than 120V, 5A.

Three-pronged (grounding plug)



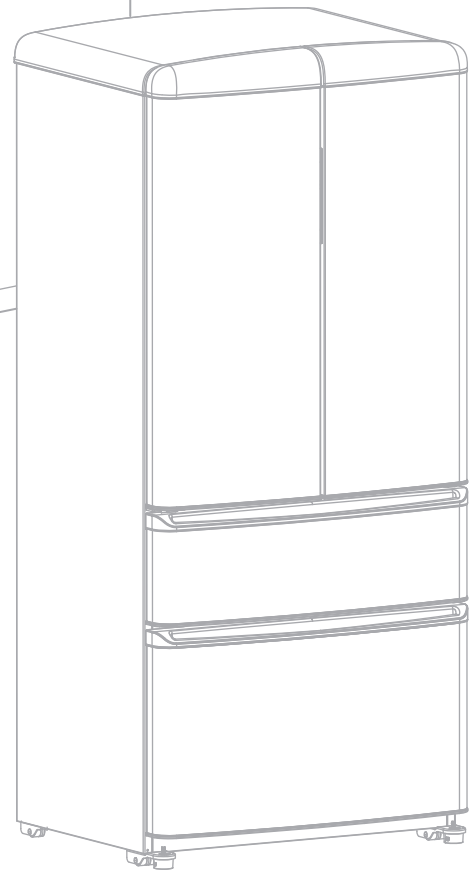
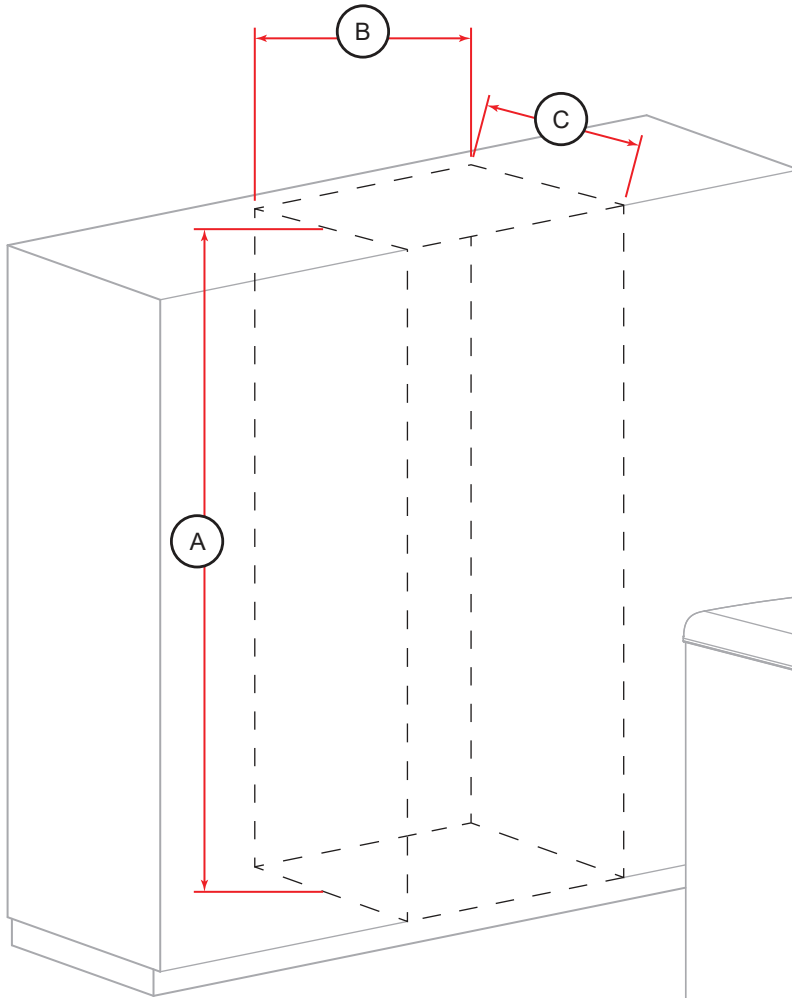
Properly polarized and grounded outlet

**Product Dimension**



A	B	C	D	G	H
Overall Width	Gap	Overall Height top Hing to bottom foot (on maximum)	Height to top Hing to top foot (on minimum )	Depth Door to back	Depth Without door to back
32 <sup>7</sup> / <sub>8</sub> "	1 <sup>7</sup> / <sub>16</sub> "	74"	71 <sup>1</sup> / <sub>4</sub> "	27 <sup>3</sup> / <sub>8</sub> "	23 <sup>1</sup> / <sub>16</sub> "
83.5cm	3.6cm	188cm	180.34cm	69.5cm	58.5cm

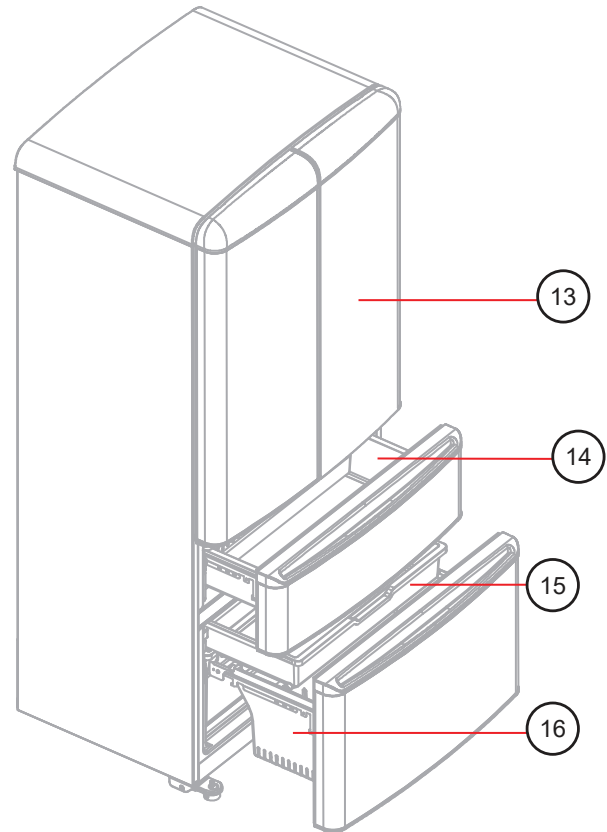
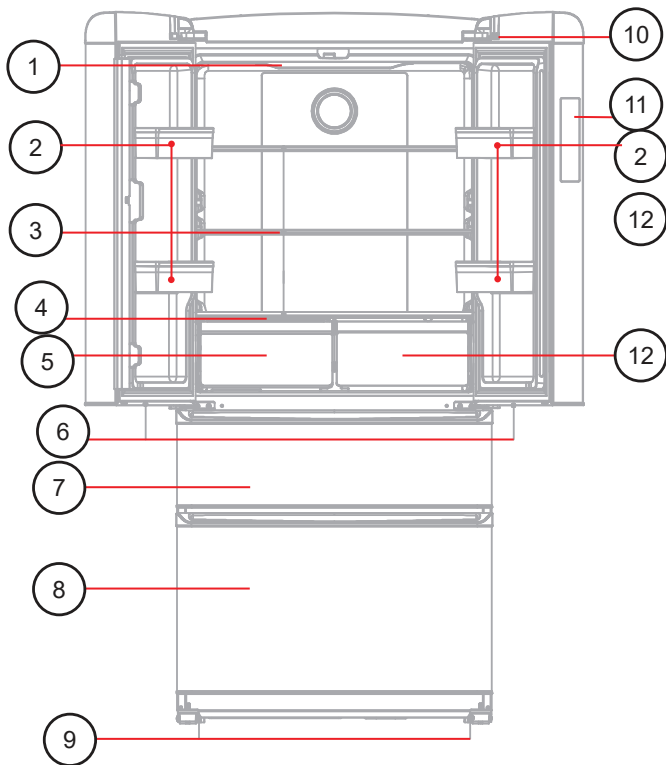
K	L	M
Opening (Fully open door)	Gap Open door	Overall Depth Fully open door
120°	<sup>3</sup> / <sub>4</sub> "	42 <sup>1</sup> / <sub>16</sub> "
	2cm	107.5cm



A	B	C
77 <sup>15</sup> / <sub>16</sub> "	40 <sup>3</sup> / <sub>4</sub> "	31 <sup>5</sup> / <sub>16</sub> "
198cm	103.5cm	79.5cm



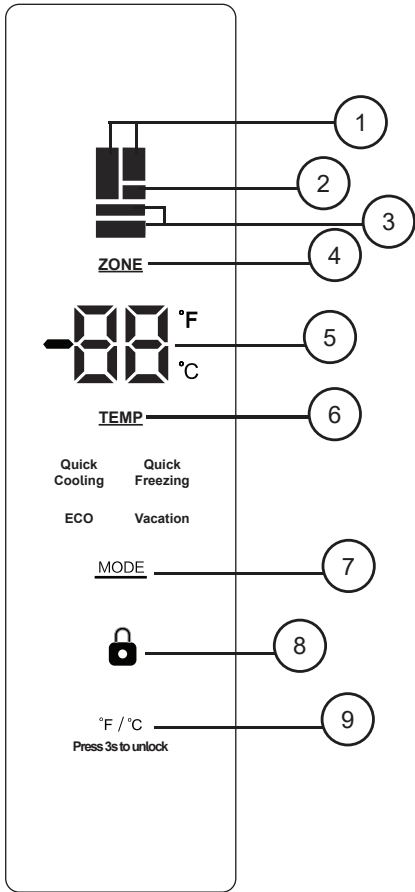
## Name of Parts and Accessories



1	LED Lamp of Fridge
2	Door Rack
3	Glass Shelf
4	Moisture Retaining Cover
5	Crisper
6	LED Lamp of Freezer
7	Upper Freezer
8	Bottom Freezer

9	Adjustable Feet
10	Lamp Switch of Fridge
11	Control Panel
12	Sub-compartment of Fridge
13	Fridge Door
14	Upper Freezer Drawer
15	Bottom Freezer Tray
16	Bottom Freezer Drawer

Before using, please remove the foaming and tapes which used for fixing drawers, glass shelves and other parts.



1	Fridge
2	Sub-compartment
3	Freezer
4	Zone Temperature Setting
5	Temperature Display
6	Temperature Up and Down Button
7	Mode Button
8	Lock Icon
9	°F/°C Set Button

This is an energy saving no-frost refrigerator which applies intelligent control system. Plug in, it will access to optimized working performance. You can also set temperature according to your requirement.

**Notes**

I Buttons will be all invalid if there is any fault on the control system.

II LED will turn off with no operation for 1 minute. Press any button to wake up the display panel.

**Temperature Setting**

Press button 1 to choose fridge, variable temp zone or freezer”. During the chosen zone is flashing, press button 2 to adjust temperature settings. 1°C for each press. Fridge temperature setting-range: 1°C → 2°C → 3°C → 4°C → 5°C → 6°C → 7°C → 1°C. Sub-compartment temperature setting-range: - 2°C → -1°C → 0°C → 1°C → 2°C → 3°C → 4°C → 5°C → 6°C → -2°C. Freezer temperature range: - 14°C → -15°C → -16°C → -17°C → -18°C → -19°C → -20°C → -21°C → -22°C → -14°C.

When desired temperature is selected, the number will flash 5 times to confirm. If you press “Mode” or other button during the flashing period, setting will take effect immediately.

## Operating Instruction (continued)

---

### MODE

Press button 3 to select your desired mode. Available special modes are: Quick Cooling, Quick Freezing, ECO and Vacation . Each press, the modes will cycle according to: Quick Cooling → Quick Cooling+ Quick Freezing → Quick Freezing → ECO → Vacation → Quick Cooling.

During mode switching, each related icon will flash 5 times to confirm. The set will be valid.

- Under “Quick Cooling” mode, the fridge will automatically work at 2 °C for 12hrs. This mode will be disabled if you change to another mode or set fridge temperature.
- Under “Quick Freezing” mode, the freezer will automatically work at -22 °C for 24hrs. This mode will be disabled if you change to another mode or set freezer temperature.
- Under “Quick Cooling + Quick Freezing” mode, the fridge will automatically work at 2 °C for 12hrs and the freezer will automatically work at -22 °C for 24hrs. This mode will be disabled if you change to another mode or set fridge and freezer temperature.
- Under “ECO ” mode, the temperature of fridge compartment and variable temp zone are 5°C and the freezer compartment is -18°C. This mode will be disabled if you change to another mode or set fridge or freezer temperature
- Under “Vacation ” mode, the temperature of fridge compartment will turn off, and the freezer compartment will run normally, and you can change freezer temperature setting as your requirement. Temperature display will show “oF” for fridge compartment and sub-compartment. This mode will be disabled if you change to another mode or set fridge temperature.

### Function

- Short press button 4 to switch between Fahrenheit and centigrade, and meanwhile the icon °F or °C will be lit.
  - Long press button 4 until the lock icon is lit. The display panel will be deactivated to avoid unguarded operation. To activate the display panel, long press the button 4 again until the lock icon is off.
  - Memory function: the setting status can be memorized even the power is failure. When power switches on again, the refrigerator will work according to the last temperature or mode setting.
  - Alarm function: the refrigerator has door-open alarm function. When any door keeps open over 3 minutes, the alarm sounds and the screen shows “Ed” until the door is closed correctly.
- The refrigerator has fault alarm function, if the display shows special error code, like “E1, E2, E3, E4, E5, E6, EC”, please contact the after-sales service.

## Care & Maintenance

---

### CLEANING

Ensure the appliance is unplugged before cleaning. To clean the inside of the appliance, use a soft cloth and a solution of one tablespoon of baking soda to one quart of water or some mild detergent. Wash removable shelves in a mild detergent solution, then dry and wipe with a soft cloth. Clean the outside with a soft, damp cloth and some mild detergent. It is important to keep the area clean where the door seals against the cabinet. Clean this area with a soapy cloth. Rinse with a damp cloth and let dry.

Note: Do not use cleaners containing ammonia or alcohol on the appliance. Ammonia or alcohol can damage the appearance of the appliance. Never use any commercial or abrasive cleaners or sharp objects on any part of the appliance.

### POWER FAILURE

Most power failures are corrected within a few hours and should not affect the temperature of your appliance if you minimize the number of times the door is opened. If the power is going to be off for a longer period of time, take the proper steps to protect your contents.

Note: Wait 3 to 5 minutes before attempting to restart the refrigerator if operation has been interrupted

## Care & Maintenance (continued)

---

### VACATION

- Short vacations: Leave the appliance operating during vacations of less than three weeks.
- Long vacations: If the appliance will not be used for several months, remove all items and turn Off the appliance. Clean and dry the Interior thoroughly. To prevent odor and mold growth, leave the door open slightly, blocking it open if necessary.

### MOVING

Taking out and putting in the shelves

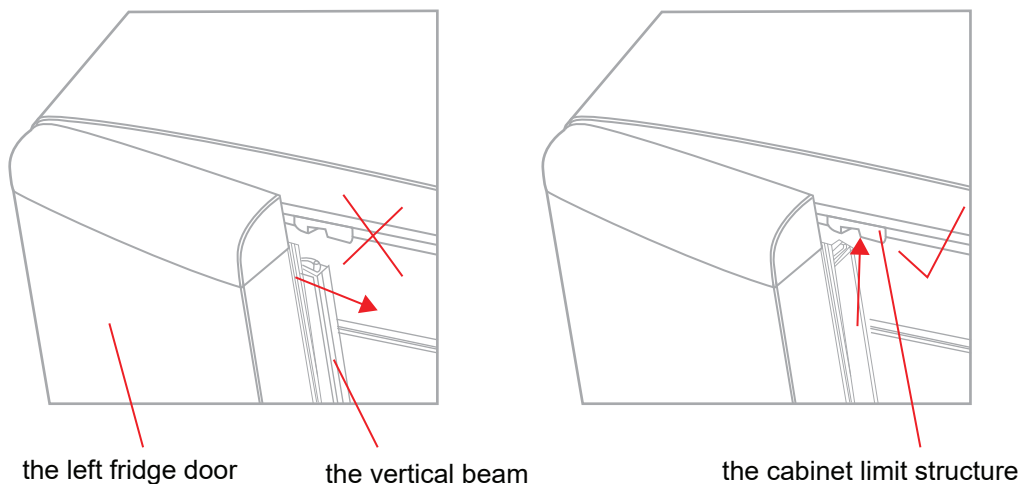
- Tilt the rear part higher to slide the shelf out, then slide it in as much as possible so that its clamp could fit the guide groove.

Taking out and putting in the door rack

Lift up the two sides of door rack, remove it upward. To put it back from the top into its required position.

#### **Note:**

When closing the left fridge door, pay attention to the angle of the vertical beam, as shown in the diagram, close it along the cabinet limit structure, otherwise it may cause damage to the vertical beam. After the door is closed in place, ensure that the vertical beam is closed in place, otherwise it will cause the interior temperature to rise for a long time.



## Troubleshooting

---

### No power

- A fuse may be blown or the circuit breaker tripped
- Plug not fully inserted into the wall outlet

### Internal temperature not cold enough

- Temperature setting is (CM) warm
- The door or lid is not shut properly or opened excessively
- Recently added a large quantity of warm food to the cabinet
- Close proximity to heat source or direct sunlight
- Ambient temperature or humidity is very high

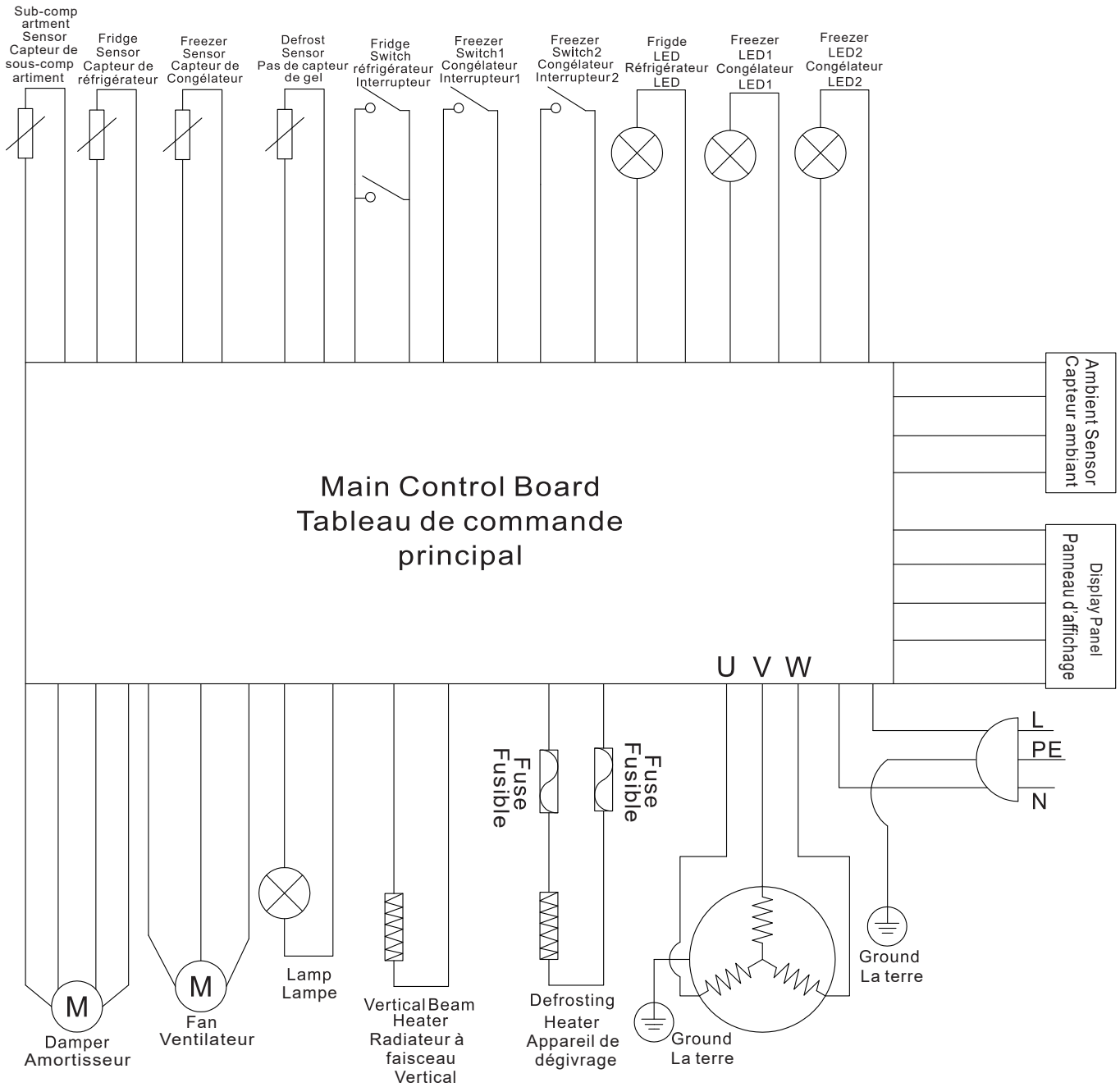
### Refrigerator runs continuously

- Temperature setting is too cold
- The door or lid is not shut properly or opened excessively
- Recently added a large quantity of warm food to the cabinet
- Close proximity to heat source or direct sunlight
- Ambient temperature or humidity is very high

### Refrigerator makes a gurgling noise when operating

- This noise is completely normal. The refrigerant inside the appliance will make a gurgling noise as it changes from a liquid to a gas and back again.

# Wire Diagram



## Warranty

---

### What this limited warranty covers:

The Warranty coverage provided by Forno Appliances in this statement applies exclusively to the original Forno appliance ("Product") sold to the consumer ("Purchaser") by an authorized Forno dealer/distributor/retailer, purchased and installed in the United States or Canada, and which has always remained within the original country of purchase (the United States or Canada). Warranty coverage is activated on the date of the Product's original retail purchase and has a duration of two (2) years.

Warranty coverage is non-transferable. In the event of replacement of parts or of the entire product, the replacement Product (or parts) shall assume the remaining original Warranty activated with the original retail purchase document. This Warranty shall not be extended with respect to such replacement. Forno Appliances will repair or replace any component/part which fails or proves defective due to materials and/or workmanship within 2 years of the date of the original retail purchase and under conditions of ordinary residential, non-commercial use. Repair or replacement will be free of charge, including labor at standard rates and shipping expenses. Purchaser is responsible for making the Product reasonably accessible for service. Repair service must be performed by a Forno Authorized Service company during normal working hours.

### Important

Retain proof of original purchase to establish warranty period. Forno's liability on any claim of any kind, with respect to the goods and/or services provided, shall in no event exceed the value of the goods or service or part there of which has given rise to the claim.

### 30-Day Cosmetic Warranty

The Purchaser must inspect the product at the time of delivery. Forno warrants that the Product is free from manufacturing defects in materials and workmanship for a period of thirty (30) days from date of the original retail purchase of the Product.

This coverage includes:

- Paint blemishes
- Chips
- Macroscopic finish defects

### Cosmetic warranty does NOT cover:

- Issues resulting from incorrect transport, handling and/or installation (e.g.: dents, broken, warped or deformed structures or components, cracked or otherwise damaged glass components);
- Slight color variations on painted/enamelled components;
- Differences caused by natural or artificial lighting, location or other analogous factors; > stains/corrosion/discoloration caused by external substances and/or environmental factors; > labor costs, display, floor, B-stock, out- of-box, "as is" appliances and demo units.

### How to receive service

To receive warranty services, the Purchaser must contact the Forno Support department in order to determine the problem and the required service procedures. Troubleshooting with a customer service representative will be necessary before

moving forward with the service. Model number, serial number and date of original retail purchase will be requested.

### Warranty Exclusions: What Is Not Covered.

- Use of the Product in any non-residential, commercial application.
- Use of the Product for anything other than its intended purpose.
- Repair services provided by anyone other than a Forno Authorized Service agency.
- Damages or repair services to correct services provided by unauthorized parties or the use of unauthorized parts.
- Installation not in accordance with local/state/city/county fire codes, electrical codes, gas codes, plumbing codes, building codes, laws or regulations.
- Defects or damage due to improper storage of the Product.
- Defects, damage or missing parts on products sold out of the original factory packaging or from displays. > Service calls or repairs to correct an incorrect installation of the Product and/or related accessories.
- Replacement of parts/service calls to connect, convert or otherwise repair the electrical wiring and/or gas line in order to properly use the product.
- Replacement of parts/service calls to provide instructions and information on the use of the Product.
- Replacement of parts/service calls to correct issues arising from the product being used in a manner other than what is normal and customary for residential use.
- Replacement of parts/service calls due to wear and tear of components such as seals, knobs, pan supports, shelving, cutlery baskets, buttons, touch displays, scratched or broken ceramic-glass tops.
- Replacement of parts/service calls for lack of/improper maintenance, including but not limited to: build up of residues, stains, scratches, discoloration, corrosion.
- Defects and damages arising from accidents, alteration, misuse, abuse or improper installation.
- Defects and damages arising from Product transport, logistics and handling. Inspection of the product must be made at time of delivery. Following receipt and inspection, the selling dealer/delivery company must be notified of any issues arising from handling, transport and logistics.
- Defects and damages arising from external forces beyond the control of Forno Appliances, including but not limited to wind, rain, sand, fires, floods, mudslides, freezing temperatures, excessive moisture or extended exposure to humidity, power surges,
- Lightning, structural failures surrounding the appliance and other acts of God.
- Products whose serial number has been altered/damaged/tampered with. In no case shall Forno be held liable or responsible for damage to surrounding property, including furniture, cabinetry, flooring, panels, and other structures surrounding the Product. Forno is neither liable nor responsible for the Product if it is located in a remote area or an area where certified trained technicians are not reasonably available. Purchaser must bear any transportation and delivery costs of the Product to the nearest Authorized Service Center or the additional travel expenses of a certified trained technician

## Warranty

---

THERE ARE NO EXPRESS WARRANTIES OTHER THAN THOSE LISTED AND DESCRIBED ABOVE, AND NO WARRANTIES, EITHER EXPRESS OR IMPLIED, INCLUDING, BUT NOT LIMITED TO, ANY IMPLIED WARRANTIES OF MERCHANTABILITY OR FITNESS FOR A PARTICULAR PURPOSE THAT SHALL APPLY AFTER THE EXPRESS WARRANTY PERIODS STATED ABOVE, AND NO OTHER EXPRESS WARRANTY OR GUARANTEE GIVEN BY ANY PERSON, FIRM OR CORPORATION WITH RESPECT TO THIS PRODUCT SHALL BE BINDING ON FORNO. FORNO SHALL NOT BE LIABLE FOR LOSS OF REVENUE OR PROFITS, FAILURE TO REALIZE SAVINGS OR OTHER BENEFITS, TIME AWAY FROM WORK, MEALS, LOSS OF FOOD OR BEVERAGES, TRAVELING OR HOTEL EXPENSES, EXPENSES TO RENT OR PURCHASE APPLIANCES, REMODELING/CONSTRUCTION EXPENSES IN EXCESS OF DIRECT DAMAGES WHICH ARE UNDENIABLY CAUSED EXCLUSIVELY BY FORNO OR ANY OTHER SPECIAL, INCIDENTAL OR CONSEQUENTIAL DAMAGES CAUSED BY THE USE, MISUSE OR INABILITY TO USE THIS PRODUCT, REGARDLESS OF THE LEGAL THEORY ON WHICH THE CLAIM IS BASED, AND EVEN IF FORNO HAS BEEN ADVISED OF THE POSSIBILITY OF SUCH DAMAGES. NOR SHALL RECOVERY OF ANY KIND AGAINST FORNO BE GREATER IN AMOUNT THAN THE PURCHASE PRICE OF THE PRODUCT SOLD BY FORNO AND CAUSING THE ALLEGED DAMAGE. WITHOUT PREJUDICE TO THE FOREGOING, PURCHASER ASSUMES ALL RISK AND LIABILITY FOR LOSS, DAMAGE OR INJURY TO PURCHASER AND PURCHASER'S PROPERTY AND TO OTHERS AND THEIR PROPERTY ARISING FROM THE USE, MISUSE, OR INABILITY TO USE THIS PRODUCT SOLD BY FORNO THAT IS NOT A DIRECT RESULT OF NEGLIGENCE ON THE PART OF FORNO THIS LIMITED WARRANTY SHALL NOT EXTEND TO ANYONE OTHER THAN THE ORIGINAL PURCHASER OF THIS PRODUCT, IS NON-TRANSFERABLE, AND STATES YOUR EXCLUSIVE REMEDY.



**Correct Disposal of this product:**

This marking indicates that this appliance should not be disposed with other household wastes. To prevent possible harm to the environment or human health from uncontrolled waste disposal, recycle it responsibly to promote the sustainable reuse of material resources.





FOR  
**FAST SUPPORT**  
EMAIL AT [INFO@FORNO.CA](mailto:INFO@FORNO.CA) 

Customer Support: Call 1-866-231-8893 or email: [info@forno.ca](mailto:info@forno.ca)