



User's Manual / Manuel d'utilisateur / Manual del usuario

**Upright Fridge - Freezer / Réfrigérateur - Congélateur Vertical /
Nevera - Congelador vertical**

MODEL • MODÈLE • MODELO:

FFFFD1933-32LS



Customer Care

Thank you for purchasing a FORNO product. Please read the entire instruction manual before operating your new appliance for the first time. Whether you are an occasional cook or an expert chef, it will be beneficial to familiarize yourself with the safety practices, features, operation and care recommendations of your cooking range. Both the model and serial number are listed in the front panel of the product. For warranty purposes, you will also need the date of purchase. Record this information below for future reference.

SERVICE INFORMATION

Model Number

Serial Number

Date of Purchase

Purchase Address & Phone

Use these numbers in any correspondence or service calls concerning your range hood.

If you received a damaged product, immediately contact the dealer (or builder) that sold you the range hood.

Save time and money. Before you call for service, check the Troubleshooting Guide. It lists the causes of minor operating problems that you can correct yourself.

SERVICE IN CANADA:

Keep the instruction manual handy to answer your questions. If you don't understand something or you need more assistance, please call our Customer Service: 1-800-561-7265

Or email: service@distinctive-online.com

SERVICE IN THE UNITED STATES:

Keep the instruction manual handy to answer your questions. If you don't understand something or you need more assistance, please call our Customer Service: 1-866-231-8893

Or email: info@forno.ca

If your product ever requires servicing, be sure to use a FORNO Factory Certified Service provider recommended by our customer care center. All Factory Certified Service providers are carefully selected and thoroughly trained by us.

SERVICE À LA CLIENTÈLE

Merci d'avoir acheté un produit FORNO. Veuillez lire le manuel d'utilisation en entier avant la première utilisation. Que vous soyez un utilisateur occasionnel ou averti, vous aurez avantage à vous familiariser avec les consignes de sécurité, les caractéristiques, le fonctionnement et les recommandations d'entretien et de nettoyage de votre appareil. Le numéro de modèle et le numéro de série sont indiqués à l'intérieur de l'appareil. Pour fins de garantie, vous aurez besoin de la date d'achat. Notez l'information ci-dessous pour référence ultérieure.

INFORMATION À FOURNIR POUR TOUTE RÉPARATION

Numéro de modèle :	Utilisez ces numéros pour toute correspondance ou pour tout appel au service des réparations concernant votre appareil.
Numéro de série :	Si vous avez reçu un appareil endommagé, communiquez immédiatement avec le détaillant (ou le fabricant) qui vous a vendu l'appareil.
Date d'achat :	
Adresse et numéro de téléphone où l'appareil a été acheté :	Économisez temps et argent. Avant tout appel de réparation, vérifiez le guide de dépannage. Vous y trouverez une liste des causes de problèmes mineurs que vous pouvez réparer vous-même.

POUR UNE RÉPARATION AU CANADA :

Conservez ce manuel d'instruction à portée de main si vous avez des doutes. Pour plus de précision ou si vous avez besoin d'aide, veuillez communiquer avec notre service à la clientèle au : 1-800-561-7265.

Vous pouvez également écrire à : service@distinctive-online.com

Ou contacter : CTM Household Appliances Inc

11 420 Albert-Hudon, Montréal, Québec, H1G 3J6, Canada

POUR UNE RÉPARATION AUX ÉTATS-UNIS :

Conservez ce manuel d'instruction à portée de main si vous avez des doutes. Pour plus de précision ou si vous avez besoin d'aide, veuillez communiquer avec notre service à la clientèle au : 1-866-231-8893.

Vous pouvez également écrire à : info@forno.ca

Si votre produit a besoin d'être réparé, assurez-vous de faire appel à un fournisseur de services certifiés par FORNO, recommandé par notre centre d'assistance à la clientèle. Tous les prestataires de services certifiés par l'usine sont soigneusement sélectionnés et formés par notre entreprise.

Atención al cliente

Gracias por comprar un producto FORNO. Lea el manual de instrucciones completamente antes de utilizar su nuevo electrodoméstico por primera vez. Si usted es un usuario ocasional o ya un experto, resulta siempre beneficioso familiarizarse con las prácticas de seguridad, características, funcionamiento y recomendaciones de cuidado de su electrodoméstico.

El modelo y el número de serie están indicados dentro del producto. Para la garantía, también necesitará la fecha de compra. Registre las informaciones a continuación para referencia futura:

INFORMACIONES DE SERVICIO:

Número del modelo :	Use estos números en cualquier correspondencia o llamadas de servicio relacionadas con su electrodoméstico.
Número de serie :	Si recibió un electrodoméstico dañado, comuníquese inmediatamente con el distribuidor (o el fabricante) que le vendió el producto.
Fecha de compra :	
Dirección del lugar de compra y teléfono :	Ahorre tiempo y dinero. Antes de llamar al servicio técnico, consulte la Guía de solución de problemas. Enumera las causas de los problemas de funcionamiento menores que puede corregir usted mismo.

SERVICIO EN CANADA:

Mantenga el manual de instrucciones a mano para responder sus preguntas. Si no entiende algo o necesita ayuda adicional, llame a nuestro Servicio al Cliente: 1-800-561-7265

O por correo electrónico: service@distinctive-online.com

O contacte: CTM Household Appliances Inc

11420 Albert Hudon, Montreal, Quebec, H1G 3J6, Canada

SERVICIO EN LOS ESTADOS UNIDOS:

Mantenga el manual de instrucciones a mano para responder sus preguntas. Si no entiende algo o necesita ayuda adicional, llame a nuestro Servicio al Cliente: 1-866-231-8893

O por correo electrónico: info@forno.ca

Si su electrodoméstico requiere mantenimiento, asegúrese de utilizar un proveedor de servicio certificado de fábrica FORNO recomendado por nuestro centro de atención al cliente. Todos los proveedores de servicios certificados de fábrica son cuidadosamente seleccionados y capacitados por nosotros. **Para su seguridad y el correcto funcionamiento del aparato, lea este manual detenidamente antes de su utilización.**

CONTENTS * TABLE DES MATIÈRES * ÍNDICE

CONVERTIBLE UPRIGHT FRIDGE AND FREEZER

Owner's Use and Care Guide.....2-9

- Safety Instructions
- Installation
- Operation
- Care and Maintenance
- Troubleshooting

RÉFRIGÉRATEUR ET CONGÉLATEUR VERTICAL CONVERTIBLE

Guide d'utilisation et soin de propriétaire.....10-17

- Consignes de sécurité importantes
- Instructions d'installation
- Consignes d'utilisation
- Soins et entretien
- Dépannage

REFRIGERADOR Y CONGELADOR VERTICAL CONVERTIBLE

Guía de uso y cuidado del propietario 18-25

- Instrucciones de seguridad
- Instalación
- Funcionamiento
- Cuidado y mantenimiento
- Resolución de problemas

Read and follow all safety rules and operating instructions
before first use of this product.

Veillez lire attentivement les consignes de sécurité et les intructions
d'utilisation avant l'utilisation intiale de ce produit.

Lea y siga todas las normas de seguridad e instrucciones de
funcionamiento antes de usar este producto por primera vez.



Important Safety Information

READ AND FOLLOW ALL SAFETY INSTRUCTIONS



IMPORTANT WARNING

An empty appliance is a very dangerous attraction to children. Remove either the gasket or door from unused appliances, or take some other action that will guarantee it harmless.

DANGER: Risk of child entrapment. Before you throw away your old appliance:

- Take off door or lid.
- Leave the shelves in place so that children may not easily climb in.

DON'T WAIT! DO IT NOW!

GROUNDING INSTRUCTIONS

This appliance must be grounded. In the event of an electrical short circuit, grounding reduces the risk of electrical shock by providing an escape wire for the electrical current.

This appliance is equipped with a cord that has a grounding wire with a grounding plug. The plug must be plugged into an outlet that is properly installed and grounded. If the outlet is a standard 2-prong wall outlet, it is your personal responsibility and obligation to have it replaced with a properly grounded 3-prong wall outlet.

Due to possible variations in line voltage (caused by overloading of circuits), it is advisable to install a separate fuse circuit from the meter panel. This will help to eliminate current fluctuation which might cause motor trouble. The serial rating plate indicates the voltage and frequency the appliance is designed for.

WARNING - Improper use of the grounding plug can result in a risk of electric shock. Consult a qualified electrician or service agent if the grounding instructions are not completely understood, or if doubt exists as to whether the appliance is properly grounded.

DO NOT USE AN EXTENSION CORD

Use an exclusive 115V wall outlet. Do not connect your appliance to extension cords or together with another appliance in the same wall outlet. Do not splice the cord. Do not under any circumstances cut or remove the third ground prong from the power cord. Do not use ungrounded (two prong) adapter plugs with this appliance.



WARNING! EXPLOSION HAZARD!

Risk of fire or explosion due to puncturing of refrigerant tubing. Do not use sharp objects to aid in defrost. Please handle with care. Keep flammable materials and vapors such as gasoline away from the freezer. Use nonflammable cleaner.

Disposal of this appliance should be in accordance with federal and local regulations.

SAVE THESE INSTRUCTIONS!



Important Safety Information

READ AND FOLLOW ALL SAFETY INSTRUCTIONS

SAFETY REQUIREMENTS

Ensure that component parts shall be replaced with like components and that servicing shall be done by factory authorized service personnel, so as to minimize the risk of possible ignition due to incorrect parts or improper service.

This appliance is not intended for use by persons (including children) whose physical, sensory or mental capabilities may be different or reduced, or who lack experience or knowledge, unless such persons receive supervision or training to operate the appliance by a person responsible for their safety.

Children should be supervised to ensure that they do not play with the appliance.

Do not use extension cords or ungrounded (two prong) adapters.

If the power supply cord is damaged, it must be replaced by the manufacturer, its service agent or similar qualified person in order to avoid hazard.

WARNING: Keep ventilation openings, in the appliance enclosure or in the built-in structure, clear of obstruction.

WARNING: Do not use mechanical devices or other means to accelerate the defrosting process, other than those recommended by the manufacturer.

WARNING: Do not damage the refrigerant circuit.

WARNING: Do not use electrical appliances inside the food storage compartments of the appliance, unless they are of the type recommended by the manufacturer.

WARNING: Flammable foam blowing agent (Cyclopentane) was used in the insulation. Disposal of this unit must follow federal and local regulations.

Please make sure that you leave the minimum amount of space between the appliance and all surrounding walls and vents (see location section). Do not cover any of the ventilation openings with any material as the appliance needs adequate space to breathe.



WARNING: This product can expose you to chemicals including [Lead , Lead and lead compounds], which is [are] known to the State of California to cause cancer and birth defects or other reproductive harm. For more information go to www.P65Warnings.ca.gov.

SAVE THESE INSTRUCTIONS!



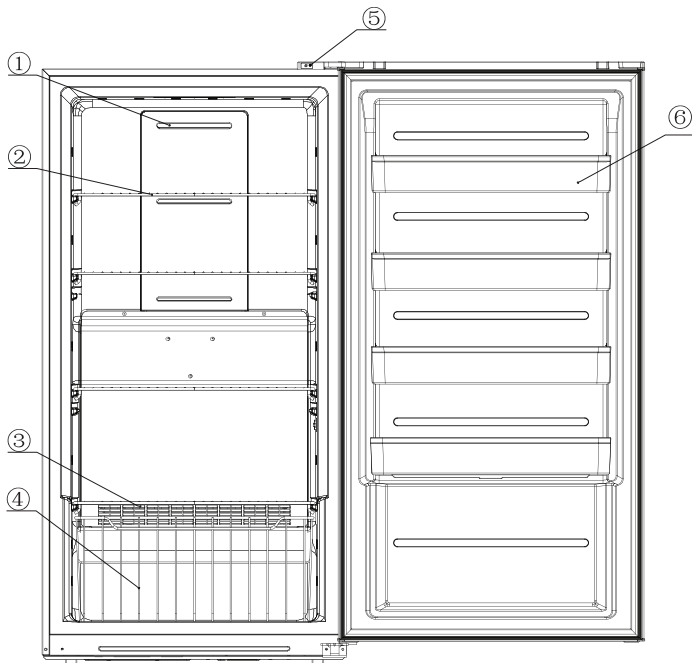
Installation Instructions

LOCATION

Remove exterior and interior packaging, wipe the outside thoroughly with a soft dry cloth and the inside with a wet, lukewarm cloth. Avoid placing the appliance in a narrow recess or near any heat source, direct sunlight, or moisture. Let air circulate freely around the appliance. Keep the rear of the appliance 10.6 cm (4 inches) away from the wall, ensure there is 20.3 cm (8 inches) of clearance between each side and the surrounding walls and ensure there is 30.5 cm (12 inches) of clearance between the top of the appliance and any cabinets or ceilings. This will allow proper air circulation.

1. Locate the appliance in a location where extension cords are not necessary.
2. Select a location with consistent year round temperatures. It is not recommended to operate the appliance when surrounding air temperature is below 5°C (41°F), though it will not harm the appliance to stand in any temperature below 5°C (41°F), provided the temperature control is set to avoid running the appliance. In order to keep operating cost down, do not place the appliance near a stove, furnace, heat register or in direct sunlight. Avoid placing the appliance in a damp or moist area, such as basements.

FEATURES



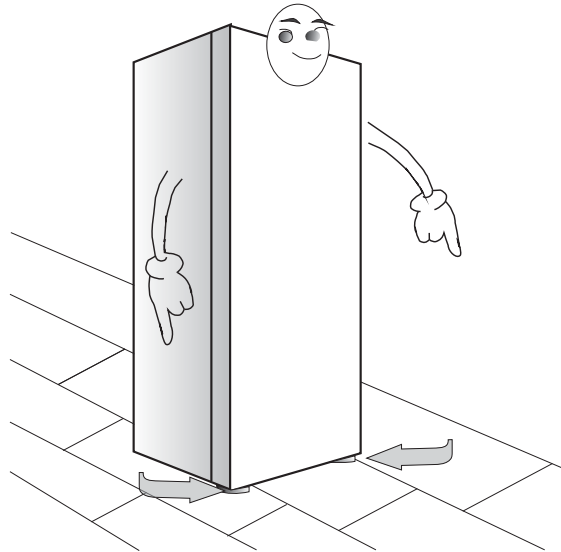
1. **Outlet Airflow Gap**
2. **Wire Shelves**
3. **Inlet Airflow Gap**
4. **Wire Drawer**
5. **Lamp Switch**
6. **Door Tray**



Installation Instructions

LEVELLING LEGS

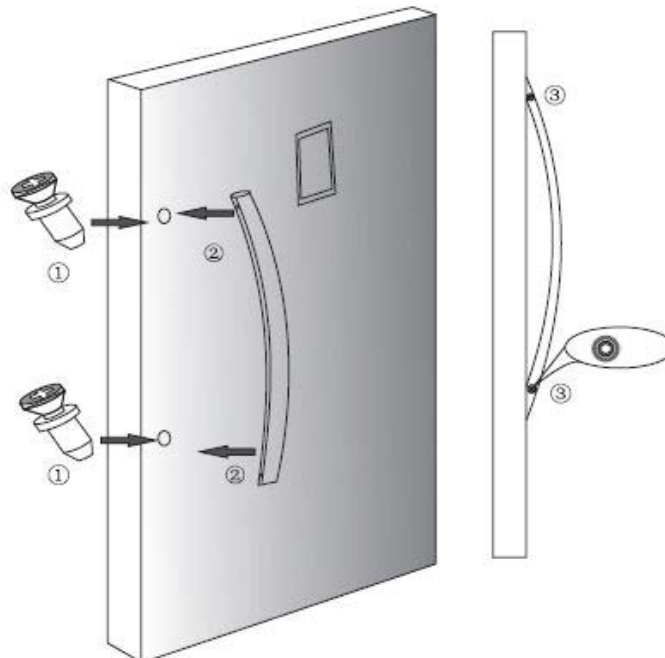
If the appliance is not level, the door and seal may not function correctly, causing the appliance to operate inefficiently. To level the appliance turn the levelling leg(s) clockwise to rise or counter-clockwise to lower.



HANDLE INSTALLATION

The appliance must be unplugged before installing the handle.

1. Take 2 screws and install them in the pre-drilled door holes, be sure to turn them until they cannot be further tightened.
2. Position the handle over the screws.
3. Put the other set of handle screws in the hole on the side of the handle and turn until they are fully tightened.



Operating Instructions

STARTING THE APPLIANCE

The appliance is ready to operate as received, when connected to the power supply. After connecting to the power supply, close the door and allow the appliance to operate. The appliance will run for 1 to 2 hours, possibly longer depending on conditions, before operating temperature is reached. It will then start and stop (cycle) at regular intervals. It is recommended that food not be placed in the appliance until it is cycling regularly and no final adjustments are necessary, generally after running for approximately 24 hours.

Once the appliance is cycling regularly, it is ready to store foods. Do not operate the appliance at temperatures below -19°C (-3°F), as this does not improve food preservation and only results in longer running time and higher energy consumption. It is not advisable to freeze more than 1-1.4 kg (2-3 pounds) of food, per litre (cubic foot) squared in any 24 hour period. It will take 15 or more hours of running to freeze this amount of food.

When adding fresh, unfrozen food packages, store them against the walls. The sensing bulb of the thermostat is fastened to the liner wall on the “insulation side” of the appliance. In view of the value of the contents of the appliance, it is advisable to inspect contents and check operation regularly.

Note: This appliance is not designed for outside installation, including installation anywhere that is not temperature controlled, such as garages, porches, carports, etc. Before connecting the appliance to an electrical power supply, let it stand undisturbed for 6 hours. This will reduce the possibility of malfunctions in the cooling system due to transport handling.

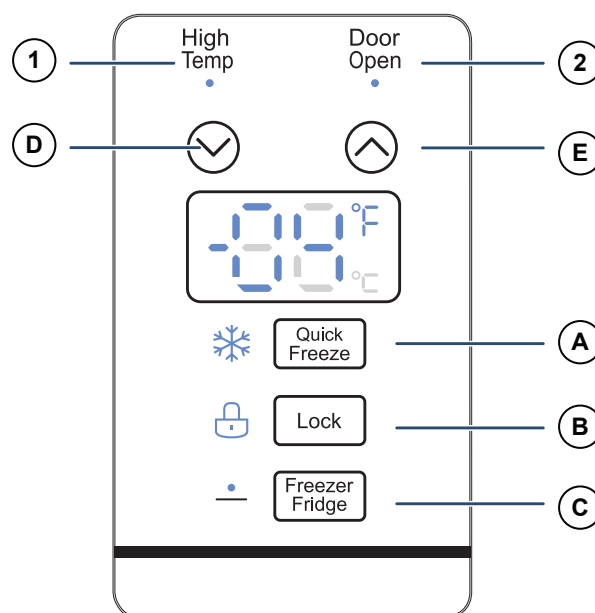
TEMPERATURE CONTROL

• Indicator

1. High Temp (High Temperature Alarm)
2. Door Open (Door open alarm)

• Button

- A. Quick Freeze Button
- B. Lock Button
- C. Freezer / Fridge Switch Button
- D. Temperature Setting Down
- E. Temperature Setting Up





Operating Instructions

INDICATORS

High Temperature Alarm

When the appliance is in fridge mode, if the internal temperature is above 15°C (59°F) for more than 36 hours, the high temperature alarm will sound. The High Temp indicator light will illuminate and the appliance will make a buzzing sound for 10 seconds every thirty minutes. Press any button on the display to quiet the high temperature alarm. The alarm will automatically turn off when the internal temperature drops below 12°C (54°F).

When the appliance is in freezer mode, if the internal temperature is above -8°C (18°F) for more than 36 hours, the high temperature alarm will sound. The High Temp indicator light will illuminate and the appliance will make a buzzing sound for 10 seconds every thirty minutes. Press any button on the display to quiet the high temperature alarm. The alarm will automatically turn off when the internal temperature drops below -12°C (10°F).

Door Open Alarm

If the door remains open for more than 5 minutes, the door open indicator light will illuminate and a buzzer will sound. Press any button on the display or close the door to quiet the door open alarm.

BUTTONS

Quick Freeze Button

The Quick Freeze function will allow the appliance to run continually for 3 hours in order to reach and maintain a temperature of -25°C (-13°F). Press the Quick Freeze button to begin Quick Freeze mode and the blue snowflake icon will illuminate. After 3 hours the appliance will automatically return to regular functioning. If the appliance is unable to reach -25°C (-13°F), the Quick Freeze function will shut off after 24 hours.

Lock Button

The lock button will lock the control panel so that no changes can be made to the programming. Press and hold the lock button for 3 seconds to engage the control panel lock. The lock icon will illuminate and the appliance will beep. Press and hold the lock button for 3 seconds to remove the control panel lock. The lock icon will turn off and the appliance will beep.

Freezer / Fridge Switch Button

The Freezer / Fridge switch button will tell the appliance whether to operate as a freezer or as a fridge. Press and hold the Freezer / Fridge button for 3 seconds. The upper dot icon will illuminate and the appliance will beep to indicate that the appliance is operating as a freezer. When the appliance is operating as a freezer, press and hold the Freezer / Fridge button for 3 seconds and the lower dot icon will illuminate and the appliance will beep to indicate that the appliance is operating as a fridge.

The temperature range for the freezer operation is -12°C ~ -24°C (10°F ~ -11°F).
The temperature range for the fridge operation is 2°C ~ 8°C (35°F ~ 46°F).

Up and Down Buttons

Press the down button to reduce the set temperature. Press the up button to raise the set temperature.

°C / °F Button

To change the display scale, press and hold both the up and down buttons for 3 seconds.

Reset Button

To reset the programming of the appliance, press and hold the lock button and the up button at the same time for 3 seconds. The appliance will beep and all icons on the display will illuminate for 3 seconds. If the compressor is running, it will pause for 5 minutes as the internal control board resets. Normal functioning will resume after 5 minutes.



Care and Maintenance

DEFROSTING

This appliance is equipped with a “Frost Free” type cooling system, which means it never has to be manually defrosted. Defrosting is done automatically by means of a defrost heating element and a defrost timer that will cycle on and off as the appliance operates. The defrost water is routed into a defrost pan located beside the compressor, where it then evaporates.

CLEANING

1. Remove all contents and unplug the appliance.
2. Using a mild detergent and warm water solution, use a clean damp cloth or sponge to wipe the inside of the appliance.
3. Do not use abrasive or harsh cleaners. Hand wash, rinse and dry all surfaces thoroughly. Do not use cleaning waxes, detergents, bleach etc. on the appliance. Never use paper towel, window spray, scouring cleansers or flammable cleaners as they can scratch and damage the appliance. Clean with a damp cloth and dry with a soft clean dry cloth.

VACATION TIME

For short vacation periods, leave the control knob at its normal setting. During longer absences:

1. Remove all food.
2. Disconnect power cord from electrical outlet.
3. Clean the appliance thoroughly.
4. Leave door open to avoid possible formations of condensation, mold or odors.

ELECTRICAL AND MECHANICAL FAILURE

In the event of mechanical or electrical failure of the appliance, contact consumer care for information on a local service agent immediately. Have the model number and serial number ready, these are shown on the serial plate located on the exterior of the rear cabinet wall.

POWER FAILURE

Most power failures are corrected within an hour or two and will not affect the appliance temperatures. Minimize the number of door openings while the power is off. During power failures of longer duration, take steps to protect the food.

IF YOU MOVE

Remove or securely fasten down all loose items inside the appliance. To avoid damaging the leveling legs, turn them all the way into the base.



Troubleshooting

Information in this manual is subject to change without notice.

PROBLEM	POSSIBLE CAUSE	SOLUTION
Does not work	<ul style="list-style-type: none"> No power to appliance Power cord is unplugged Wrong voltage is being used 	<ul style="list-style-type: none"> Check connection of power cord to power source Plug in appliance Use proper voltage
Appliance runs continuously	<ul style="list-style-type: none"> Temperature set too low (cold) Door is not closed Hot food was inserted Door opened too long or too often Close proximity to heat source or direct sunlight Quick Freeze function is set 	<ul style="list-style-type: none"> Set temperature control to warmer setting Close door securely Be sure food is at room temperature before inserting Minimize door openings / duration Do not place appliance close to heat sources or direct sunlight This is normal
Internal temperature not cold enough	<ul style="list-style-type: none"> No power to appliance Power cord is unplugged Temperature set too high (warm) Lid is not closed Hot food was inserted Lid opened too long or too often Air flow obstruction Wrong voltage is being used. Close proximity to heat source or direct sunlight 	<ul style="list-style-type: none"> Check connection of power cord to power source Plug in appliance Check setting and adjust as needed Close lid securely Be sure that food is at room temperature Minimize lid openings / duration Allow room for air to circulate around appliance Use proper voltage Do not place appliance close to heat sources or direct sunlight
Temperature inside the appliance is too cold	<ul style="list-style-type: none"> The temperature control is set too cold 	<ul style="list-style-type: none"> Adjust the temperature setting
Noises coming from the appliance (popping, cracking, gurgling)	<ul style="list-style-type: none"> Internal parts are expanding and contracting Refrigerant is circulating in the system 	<ul style="list-style-type: none"> This is normal This is normal

ERROR CODES

- **E2:** Temperature sensor failure.
- **E5:** Defrosting sensor failure.
- **E6:** Communication failure.
- **E7:** Ambient temperature sensor failure.
- **E9:** High temperature.

To clear all error codes, unplug the appliance and let it stand undisturbed for 5 minutes, then plug it back in. If the error code persists, contact consumer care for further troubleshooting.



Consignes de sécurité importantes

LIRE ET SUIVRE TOUTES LES INSTRUCTIONS DE SÉCURITÉ



AVERTISSEMENT IMPORTANT!

Un appareil vide est une attraction très dangereuse pour les enfants. Retirez soit le joint d'étanchéité ou la porte des appareils inutilisés, ou prendre une autre action qui garantira qu'il est inoffensif.

DANGER : Risque de piéger un enfant. Avant de jeter votre ancien appareil:

- Enlever la porte ou le couvercle.
- Laisser les tablettes en place afin que les enfants ne puissent pas facilement y entrer.

N'ATTENDEZ PAS! FAITES-LE IMMÉDIATEMENT!

INSTRUCTIONS DE MISE À LA TERRE

Cet appareil doit être mis à la terre. En cas de court-circuit, la mise à la terre réduit les risques de décharge électrique en fournissant un échappatoire au courant électrique.

L'appareil est muni d'un cordon électrique comprenant un fil de mise à la terre et une fiche de terre. Branchez la fiche dans une prise de courant correctement installée et mise à la terre. Si la prise est une prise murale standard à 2 broches, il est de votre responsabilité personnelle et l'obligation de le remplacer par une prise murale à 3 broches correctement mise à la terre.

Dû aux variations possibles sur la ligne de voltage (causé par une surcharge des circuits) il est recommandé d'installer un circuit séparé avec fusibles à partir du panneau compteur. Ceci aidera à éliminer les fluctuations du courant qui peuvent endommager le moteur. Le voltage et la fréquence requis pour ce congélateur sont indiqués sur la plaque d'identification.

AVERTISSEMENT - Une fiche de mise à la terre mal branchée peut entraîner un risque d'incendie, de choc électrique ou de blessures aux personnes qui utilisent l'appareil. Si vous n'êtes pas certain que l'appareil est correctement mis à la terre, consultez un préposé du service qualifié.

N'UTILISER JAMAIS DE FIL DE RALLONGE

Brancher le congélateur à son propre circuit de 115V. N'utilisez pas de rallonge électrique pour brancher votre congélateur. Ne branchez pas le congélateur à une prise femelle multiple qui sera également utilisée pour d'autres appareils électriques. N'épissez pas le cordon électrique. Do not under any circumstances cut or remove the third ground prong from the power cord. Do not use ungrounded (two prong) adapter plugs with this appliance.



AVERTISSEMENT! DANGER D'EXPLOSION!

Risque d'incendie ou d'explosion causé par la perforation de tuyaux frigorigènes. Ne jamais utiliser un objet pointu pour assister au dégel. Manipuler avec soin. Garder les matériaux et vapeurs inflammables comme de l'essence loin du congélateur. Utiliser un nettoyant ininflammable.

La mise au rebut de cet item doit être faite selon les lois locales et fédérales.

GARDER CES INSTRUCTIONS!



Consignes de sécurité importantes

LIRE ET SUIVRE TOUTES LES INSTRUCTIONS DE SÉCURITÉ

EXIGENCES DE SÉCURITÉ

Veillez vous assurer que les pièces de rechange sont remplacées par des pièces similaires, et que l'entretien soit effectué par un technicien agréé par l'usine, afin réduire le risque d'incendie à cause de mauvaises pièces ou d'entretien mal fait.

Ce dispositif n'est pas désigné d'être utilisé par des personnes (y compris enfants) dont le développement et capacité physique, sensoriel ou mental est différente ou réduite, ou par les personnes qui manquent expérience ou connaissance sauf si ces personnes sont surveillés ou formés par une personne responsable de leur sécurité.

Les enfants doivent être surveillés pour s'assurer qu'ils ne jouent pas avec l'appareil.

Ne pas utiliser de rallonges et des adaptateurs (avec 2 prises) qui ne sont pas de mise à la terre.

Ne pas utiliser de rallonges et des adaptateurs (avec 2 prises) qui ne sont pas de mise à la terre. Pour éviter les risques, si le cordon est endommagé, il doit être remplacé par le fabricant, son agent de service ou une personne qualifiée.

AVERTISSEMENT: Les prises d'air de l'enceinte de l'appareil ou de la structure encastré doivent être dégagées en tout temps.

AVERTISSEMENT: Ne pas utiliser d'appareils mécaniques ou autres moyens pour accélérer le dégivrage que ceux recommandés par le fabricant.

AVERTISSEMENT: Ne pas endommager le circuit frigorigène.

AVERTISSEMENT: Ne pas utiliser d'appareils électriques à l'intérieur du compartiment de conservation des aliments de cet appareil, sauf s'ils sont du type recommandé par le fabricant.

AVERTISSEMENT: Un agent de mousse gonflant inflammable (Cyclopentane) a été utilisé dans l'isolation. La disposition de cette appareil doit respecter les règlements fédéraux et locaux.

S'il vous plaît assurez-vous de laisser le dégagement minimum d'entre l'appareil et tous les murs environnants et les ouvertures (voir l'emplacement). Ne couvrez pas les ouvertures de ventilation avec un matériau parce que l'appareil a besoin d'espace de respiration adéquate.



AVERTISSEMENT: Ce produit peut vous exposer à des agents chimiques, y compris [Plomb, Composés de plomb et de plomb], identifiés par l'État de Californie comme pouvant causer le cancer et des malformations congénitales ou autres effets nocifs sur la reproduction. Pour de plus amples informations, prière de consulter www.P65Warnings.ca.gov.

GARDER CES INSTRUCTIONS!



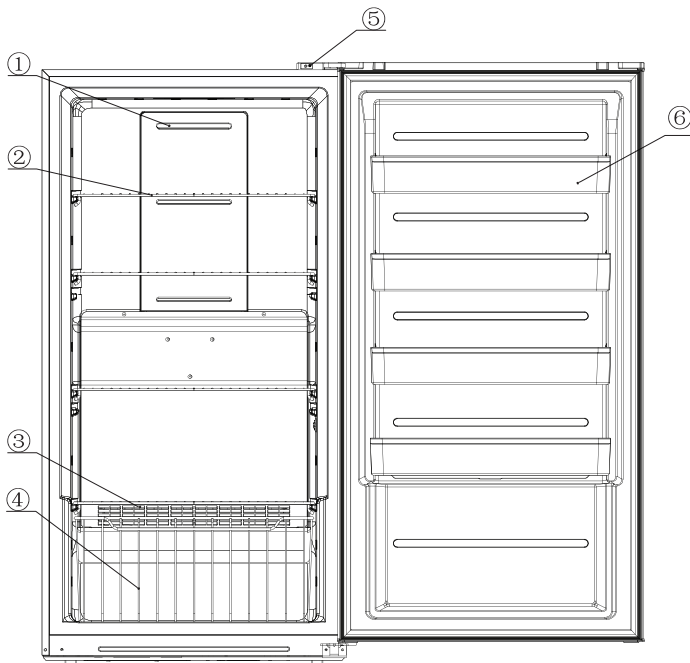
Instructions d'installation

EMPLACEMENT

Enlevez les emballages extérieurs et intérieurs. Essuyez complètement l'extérieur avec un linge doux sec et l'intérieur avec un linge humide tiède. Il ne faut jamais situer l'appareil dans un recoin étroit, proche d'une source d'air chaud. L'air doit circuler à l'entour de l'appareil. Gardez le dos de l'appareil à une distance de 10,6 cm / 4 pouces du mur, assurez-vous qu'il est de 20,3 cm / 8 pouce d'espace entre chaque murs et assurez-vous qu'il est de 30,5 cm / 12 pouces d'espace entre l'appareil et les armoires ou le plafond. Ceci permettra une circulation d'air.

1. Installez votre congélateur de telle façon qu'une rallonge électrique ne soit pas nécessaire.
2. Choisissez un endroit où la température est uniforme toute l'année. Ne pas faire fonctionner le congélateur lorsque l'air environnant est au-dessous de 5°C (41°F). Cependant, si la température est au-dessous de 5°C (41°F) le congélateur ne subira aucun dommage tant que le contrôle de température n'actionne pas l'appareil motrice. Pour raison d'économie d'électricité, ne pas placer le congélateur près d'un poêle, d'une fournaise, d'un registre de chaleur, d'un radiateur ou encore directement au soleil. Ne placer pas l'appareil dans un espace mouillé ou humide, comme les sous-sols.

CARACTÉRISTIQUES



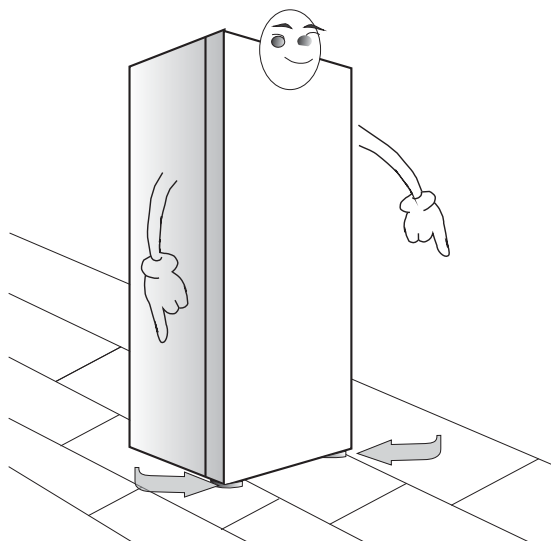
1. Écart de débit d'air de sortie
2. Étagères en fil
3. Écart d'air d'entrée
4. Tiroir en fil
5. Commutateur de lampe
6. Plateau de porte



Instructions d'installation

PIEDS DE NIVELLEMENT

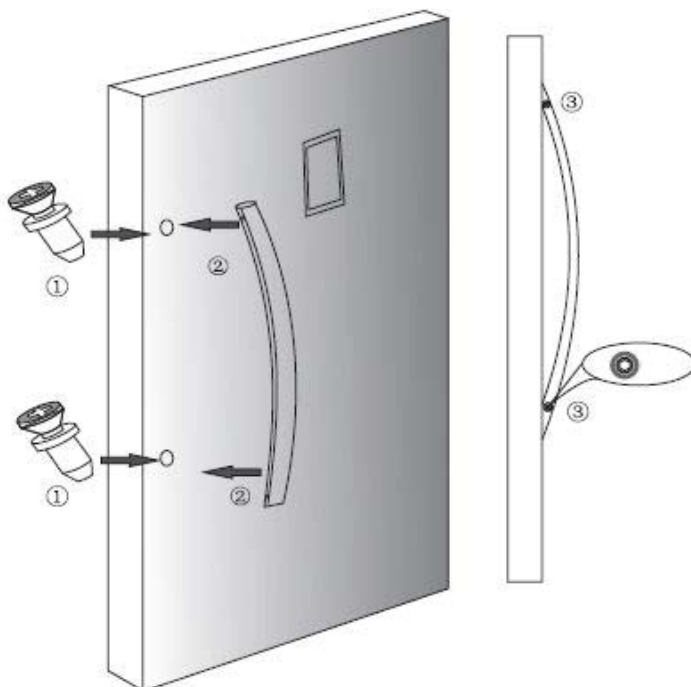
Si l'appareil n'est pas niveau, les portes et les joint ne pourraient pas fonctionner correctement, ce qui rend l'appareil de fonctionner d'un manière inefficace. Pour niveler l'appareil tourner la jambe nivellement vers la droite pour augmenter ou dans le sens antihoraire pour abaisser.



INSTALLATION DU POIGNÉE

L'appareil doit être débranché avant d'installer la poignée.

1. Prenez deux vis et installer sur la porte, dans les trous pré-percés, assurez-vous de les pivoter jusqu'à ce qu'ils ne peuvent pas tirer plus.
2. Placer la poignée sur les vis.
3. Placez l'autre vis de réglage dans le trou dans le côté de la poignée et tournez jusqu'à ce que serré.





Consignes d'utilisation

MISE EN MARCHÉ DE L'APPAREIL

L'appareil est prêt à fonctionner tel que reçu, lorsqu'il est connecté à l'alimentation. Après avoir branché l'alimentation électrique, fermez la porte et laissez l'appareil fonctionner. L'appareil fonctionne pendant 1 à 2 heures, peut-être plus longtemps en fonction des conditions, avant que la température de fonctionnement ne soit atteinte. Il démarre et s'arrête (cycle) à intervalles réguliers. Il est recommandé que les aliments ne soient pas placés dans l'appareil jusqu'à ce qu'il soit cyclable régulièrement et aucun réglage final n'est nécessaire, généralement après avoir fonctionné pendant environ 24 heures.

Une fois que l'appareil est en vélo régulièrement, il est prêt à stocker les aliments. Ne pas faire fonctionner l'appareil à des températures inférieures à -19°C (-3°F), car cela n'améliore pas la conservation des aliments et n'augmente que le temps de fonctionnement et la consommation d'énergie. Il n'est pas conseillé de congeler plus de 1-1,4 kg (2-3 livres) de nourriture, par litre (pieds cubes) au carré dans une période de 24 heures. Il faudra 15 heures ou plus de fonctionnement pour geler cette quantité de nourriture.

Lorsque vous ajoutez des emballages frais et non congelés, rangez-les contre les murs. L'ampoule de détection du thermostat est fixée à la paroi de la doublure sur le «côté isolant» de l'appareil. Compte tenu de la valeur du contenu de l'appareil, il est conseillé d'inspecter le contenu et de vérifier le fonctionnement régulièrement.

Remarque: Cet appareil n'est pas conçu pour être installé à l'extérieur, y compris dans des endroits où la température n'est pas contrôlée, tels que des garages, des porches, des abris de voiture, etc. Avant de brancher l'appareil à une source d'alimentation électrique, le laisser reposer pendant 6 heures. Ceci réduit les risques de dysfonctionnement du système de refroidissement en raison de la manipulation du transport.

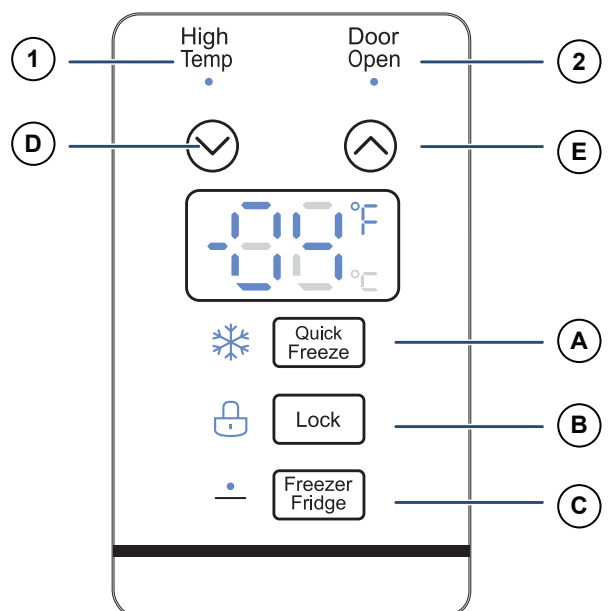
CONTRÔLE DE LA TEMPÉRATURE

• Indicateur

1. High Temp (Alarme haute température)
2. Door Open (Alarme porte ouverte)

• Bouton

- A. Bouton de congélation rapide
- B. Bouton de verrouillage
- C. Bouton de commande du congélateur / réfrigérateur
- D. Réglage de la température vers le bas
- E. Réglage de la température vers le haut





Consignes d'utilisation

INDICATEURS

Alarme haute température

Lorsque l'appareil est en mode réfrigérateur, si la température interne est supérieure à 15 ° C (59 ° F) pendant plus de 36 heures, l'alarme de température élevée retentit. Le voyant High Temp s'allume et l'appareil émet un bourdonnement pendant 10 secondes toutes les trente minutes. Appuyez sur n'importe quel bouton de l'afficheur pour désactiver l'alarme de température élevée. L'alarme s'éteint automatiquement lorsque la température interne est inférieure à 12 ° C (54 ° F).

Lorsque l'appareil est en mode congélateur, si la température interne est supérieure à -8 ° C (18 ° F) pendant plus de 36 heures, l'alarme de température élevée retentit. Le voyant High Temp s'allume et l'appareil émet un bourdonnement pendant 10 secondes toutes les trente minutes. Appuyez sur n'importe quel bouton de l'afficheur pour désactiver l'alarme de température élevée. L'alarme s'éteint automatiquement lorsque la température interne est inférieure à -12 ° C (10 ° F).

Alarme de porte ouverte

Si la porte reste ouverte pendant plus de 5 minutes, le voyant d'ouverture de la porte s'allume et un buzzer retentit. Appuyez sur n'importe quel bouton de l'écran ou fermez la porte pour calmer l'alarme de porte ouverte.

BOUTONS

Bouton de congélation rapide

La fonction de congélation rapide permet à l'appareil de fonctionner continuellement pendant 3 heures afin d'atteindre et de maintenir une température de -25 ° C (-13 ° F). Appuyez sur le bouton de congélation rapide pour commencer le mode de congélation rapide et l'icône du flocon de neige bleu s'allume. Au bout de 3 heures, l'appareil reprendra automatiquement son fonctionnement normal. Si l'appareil ne parvient pas à atteindre -25 ° C (-13 ° F), la fonction de gel rapide s'arrête au bout de 24 heures.

Bouton de verrouillage

Le bouton de verrouillage verrouille le panneau de commande de sorte qu'aucune modification ne peut être apportée à la programmation. Appuyez sur le bouton de verrouillage pendant 3 secondes pour verrouiller le panneau de commande. L'icône de verrouillage s'allume et l'appareil émet un bip. Appuyez sur le bouton de verrouillage pendant 3 secondes pour retirer le verrouillage du panneau de commande. L'icône de verrouillage s'éteint et l'appareil émet un bip.

Bouton de commande du congélateur / réfrigérateur

Le bouton du congélateur / réfrigérateur indique à l'appareil s'il doit fonctionner comme un congélateur ou comme un réfrigérateur. Maintenez enfoncée la touche Freezer / Fridge pendant 3 secondes. L'icône de point supérieur s'allume et l'appareil émet un bip pour indiquer que l'appareil fonctionne comme un congélateur. Lorsque l'appareil fonctionne comme un congélateur, maintenez enfoncée le bouton congélateur / réfrigérateur pendant 3 secondes et l'icône de point inférieur s'allume et l'appareil émet un bip pour indiquer que l'appareil fonctionne comme un réfrigérateur.

La plage de température pour le fonctionnement du congélateur est de -12°C ~ -24°C (10°F ~ -11°F).
La plage de température pour le fonctionnement du réfrigérateur est de 2°C ~ 8°C (35°F ~ 46°F).

Boutons haut et bas

Appuyez sur le bouton vers le bas pour réduire la température réglée. Appuyez sur le bouton haut pour augmenter la température réglée.

°C / °F Bouton

Pour modifier l'échelle d'affichage, maintenez enfoncées les touches haut et bas pendant 3 secondes.

Bouton de réinitialisation

Pour réinitialiser la programmation de l'appareil, appuyez sur le bouton de verrouillage et sur le bouton de marche arrière en même temps pendant 3 secondes. L'appareil émettra un bip et toutes les icônes de l'afficheur s'allumeront pendant 3 secondes. Si le compresseur est en marche, il s'arrête pendant 5 minutes lorsque la carte de contrôle interne est réinitialisée. Le fonctionnement normal reprendra après 5 minutes.



Soins et entretien

DÉGIVRAGE

Cet appareil est équipé d'un système de refroidissement du type «Frost Free», ce qui signifie qu'il ne doit jamais être décongelé manuellement. Le dégivrage s'effectue automatiquement au moyen d'un élément chauffant de dégivrage et d'une minuterie de dégivrage qui s'allume et s'éteint lorsque l'appareil fonctionne. L'eau de dégivrage est acheminée dans une cuve de dégivrage située à côté de du compresseur, où elle s'évapore.

NETTOYAGE

1. Retirez tout le contenu et débranchez l'appareil.
2. À l'aide d'un mélange de détergent doux et d'eau chaude, mouiller une serviette ou une éponge pour nettoyer l'intérieur de l'appareil.
3. N'utilisez pas des nettoyeurs abrasifs. Rincer et sécher toutes les surfaces soigneusement. N'utiliser pas des cires de nettoyage, détergents, eau de Javel, etc. sur l'appareil. N'utilisez jamais une serviette en papier, laveur de vitres, nettoyeurs à récurer ou des nettoyeurs inflammables car elles peuvent gratter et endommager l'appareil. Nettoyer avec un serviette mouiller et séchez avec un chiffon doux et propre.

PENDANT LE VACANCES

Si vous prenez des vacances de courte durée, laissez le bouton de commande à son réglage normal. Si l'absence doit durer longtemps:

1. Enlever tous les aliments.
2. Débranchez l'appareil de la prise murale.
3. Nettoyez l'appareil complètement.
4. Laisser la couvercle ouvert pour éviter les mauvaises odeurs.

PANNE ÉLECTRIQUE OU MÉCANIQUE

En cas de défaillance mécanique ou électrique de l'appareil, contacter le consommateur pour obtenir des informations sur un agent de service local immédiatement. Préparez le numéro de modèle et le numéro de série sur la plaque signalétique située à l'extérieur de la paroi arrière de l'armoire.

PANNE D'ÉLECTRICITÉ

La plupart des pannes d'électricité sont corrigées dans une heure ou deux et n'affecteront pas la température de l'appareil. Réduisez au minimum le nombre d'ouvertures de porte lorsque l'appareil est hors tension. Pendant les coupures de courant de plus longue durée, prendre des mesures pour protéger les aliments.

DÉMENAGEMENT

Enlever ou fixer solidement tous les articles en vrac à l'intérieur de l'appareil. Pour éviter d'endommager les pieds de nivellement, tournez-les complètement dans la base.



Dépannage

Les informations contenues dans ce manuel sont sujettes à modifications sans préavis.

PROBLÈME	CAUSE PROBABLE	SOLUTION
Ne fonctionne pas	<ul style="list-style-type: none"> • Pas de tension à l'appareil • Le cordon d'alimentation est débranché • Le mauvais voltage est utilisé 	<ul style="list-style-type: none"> • Vérifiez la connexion du cordon d'alimentation • Branchez l'appareil • Utilisez le voltage approprié
Le congélateur fonctionne sans arrêt	<ul style="list-style-type: none"> • Le contrôle de température est réglé à un réglage trop élevé (chaud) • Le couvercle n'est pas fermée • De la nourriture chaude a été insérée • Le couvercle est ouvert trop souvent/longtemps • Proximité d'une source de chaleur ou source de soleil • La fonction de congélation rapide est établie. 	<ul style="list-style-type: none"> • Vérifiez le contrôle de température et ajustez-le au besoin • Fermez la couvercle • Assurez-vous que la nourriture est fraîche avant de la placer dans l'appareil • Minimisez l'ouverture du couvercle • Ne placez pas l'appareil près d'une source de chaleur et évitez une exposition directe aux rayons du chaleur/du soleil • C'est normal
La température interne n'est pas assez froide	<ul style="list-style-type: none"> • Pas de tension à l'appareil • Le cordon d'alimentation est débranché • Le contrôle de température est réglé à un réglage trop bas (chaud) • Ne couvercle n'est pas fermé • La nourriture est chaude • Le couvercle est ouvert trop souvent/longtemps • Obstruction de la circulation de l'air • Le mauvais voltage est utilisé • Proximité d'une source de chaleur ou exposition directe aux rayons du soleil 	<ul style="list-style-type: none"> • Vérifiez la connexion du cordon d'alimentation • Branchez l'appareil • Vérifiez le réglage et augmentez-le au besoin • Fermez le couvercle • Assurez-vous que la nourriture est fraîche avant de la placer dans l'appareil • Minimisez l'ouverture du couvercle • Laissez l'air circuler dans la pièce autour de l'appareil • Utilisez le voltage approprié • Ne placez pas l'appareil près d'une source de chaleur et évitez une exposition directe aux rayons du soleil
La température à l'intérieur de l'appareil est trop froide	<ul style="list-style-type: none"> • Contrôle du température est trop froide 	<ul style="list-style-type: none"> • Ajustez le réglage de la température
Bruits provenant de l'appareil (bruit, claquement, gargouillis)	<ul style="list-style-type: none"> • Expansion et la contraction des pièces • Réfrigérant circulant dans le système 	<ul style="list-style-type: none"> • C'est normal • C'est normal

LES CODES D'ERREUR

- **E2:** Défaillance du capteur de température.
- **E5:** Défaillance du capteur.
- **E6:** Erreur de communication.
- **E7:** Capteur de température ambiante en défaut.
- **E9:** Haute température.

Pour effacer tous les codes d'erreur, débranchez l'appareil et laissez-le reposer pendant 5 minutes, puis rebranchez-le. Si le code d'erreur persiste, contactez le service après-vente pour plus de dépannage.



Información importante de seguridad

LEA Y SIGA TODAS LAS INSTRUCCIONES DE SEGURIDAD



AVISO IMPORTANTE

Un artefacto vacío es una atracción muy peligrosa para los niños. Retire las juntas o puertas de los electrodomésticos no utilizados, o tome alguna otra medida que garantice que no existe ningún riesgo.

PELIGRO: Riesgo de atrapamiento para los niños. Antes de deshacerse de su electrodoméstico viejo:

- Retire la puerta o tapa.
- Deje los estantes en su lugar para que los niños no puedan subirse fácilmente.

¡NO ESPERE! ¡HÁGALO DE INMEDIATO!

INSTRUCCIONES DE CONEXIÓN A TIERRA

Este electrodoméstico debe estar conectado a tierra. En caso de cortocircuito eléctrico, la conexión a tierra reduce el riesgo de descarga eléctrica al proporcionar un cable de escape para la corriente eléctrica.

Este electrodoméstico está equipado con un cable que dispone de un enchufe de conexión a tierra. El enchufe debe estar conectado a una toma que esté debidamente instalada y conectada a tierra. Si se trata de una toma de pared estándar de 2 clavijas, es su responsabilidad y obligación reemplazarla por un tomacorriente a tierra de 3 clavijas.

Debido a las posibles variaciones en el voltaje de línea (causadas por la sobrecarga de circuitos), es aconsejable instalar un circuito con fusible separado del panel del medidor. Esto permitirá eliminar la fluctuación de corriente que podría causar problemas en el motor. La placa de clasificación en serie indica el voltaje y la frecuencia para los que este electrodoméstico ha sido diseñado.

ADVERTENCIA - El uso indebido del enchufe a tierra puede provocar riesgo de descarga eléctrica. Consulte con un electricista calificado o agente de servicio si no entiende las instrucciones de conexión a tierra por completo, o si tuviera dudas sobre si el electrodoméstico está correctamente conectado a tierra.

NO UTILICE UN CABLE ALARGADOR

Use un tomacorriente exclusivo de 115V. No conecte el electrodoméstico a cables alargadores o junto con otro electrodoméstico en el mismo tomacorriente. No empalme el cable. Bajo ninguna circunstancia no debe cortar o retirar la tercera clavija del cable de alimentación. No utilice un adaptador de enchufes sin conexión a tierra (dos clavijas) con este electrodoméstico.



ADVERTENCIA: ¡RIESGO DE EXPLOSIÓN!

Riesgo de incendio o explosión debido a la perforación del tubo refrigerante. No use objetos afilados para ayudar en la descongelación. Por favor, manéjelo cuidadosamente. Mantenga los materiales y los vapores inflamables como la gasolina alejados del congelador. Use un limpiador no inflamable.

Debe desechar este electrodoméstico de acuerdo con las normativas federales y locales.

¡CONSERVE ESTAS INSTRUCCIONES!



Información importante de seguridad

LEA Y SIGA TODAS LAS INSTRUCCIONES DE SEGURIDAD

REQUISITOS DE SEGURIDAD:

Asegúrese de que las partes de los componentes se reemplacen por componentes similares y que el mantenimiento sea realizado por el personal de servicio autorizado por la fábrica, para minimizar el riesgo de posibles incendios debido a unas partes incorrectas o un servicio inadecuado.

Este electrodoméstico no está diseñado para ser utilizado por personas (incluidos los niños) con capacidades físicas, mentales o sensoriales que puedan ser diferentes o reducidas, o carecer de experiencia o conocimiento, a menos que las personas estén bajo supervisión o reciban una formación para operar el electrodoméstico por parte de una persona responsable de su seguridad.

Los niños deben estar vigilados con el fin de evitar que jueguen con el electrodoméstico.

No utilice cables de extensión ni adaptadores sin conexión a tierra (de dos clavijas).

Si el cable de alimentación está dañado, debe ser reemplazado por el fabricante, su agente de servicio o por una persona calificada para evitar riesgos.

ADVERTENCIA: Mantenga las aberturas de ventilación del electrodoméstico o en la estructura integrada sin obstáculos.

ADVERTENCIA: No utilice dispositivos mecánicos u otros medios para acelerar el proceso de descongelación, distintos de los recomendados por el fabricante.

ADVERTENCIA: No dañe el circuito refrigerante.

ADVERTENCIA: No utilice otros electrodomésticos eléctricos dentro de los compartimentos de almacenamiento de alimentos del electrodoméstico, a menos que sean de un tipo recomendado por el fabricante.

ADVERTENCIA: Ha sido utilizado un agente espumante de expansión inflamable (ciclopentano) para el aislamiento. Debe desechar esta unidad de acuerdo con las normativas federales y locales.

Asegúrese de dejar un espacio mínimo entre el electrodoméstico y todas las paredes y respiraderos circundantes (véase la sección "ubicación"). No cubra ninguna de las aberturas de ventilación con ningún material, ya que el aparato necesita el espacio adecuado para respirar.



ADVERTENCIA: Este producto puede exponerle a químicos incluyendo [Plomo, Compuestos de plomo y plomo], que es (son) conocido (s) por el Estado de California como causante (s) de cáncer y defectos de nacimiento u otros daños reproductivos. Para mayor información, visite www.P65Warnings.ca.gov.

¡CONSERVE ESTAS INSTRUCCIONES!



Instrucciones de instalación

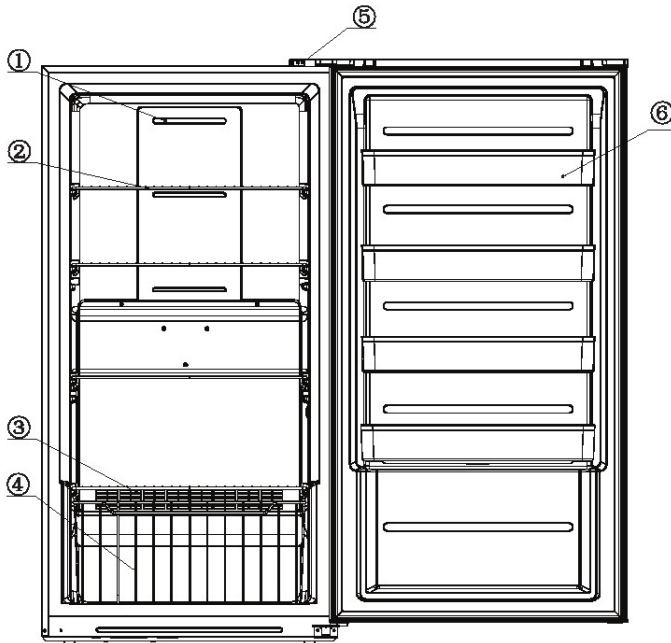
UBICACIÓN

Retire el embalaje exterior e interior, limpie completamente la parte exterior con un paño suave y seco, y con un paño húmedo y tibio la parte interior. Evite colocar el electrodoméstico en un hueco estrecho o cerca de cualquier fuente de calor, luz solar directa o humedad. Deje que el aire circule libremente alrededor del electrodoméstico. Mantenga la parte trasera del electrodoméstico a 10,6 cm (4 pulgadas) de la pared, asegúrese de que haya 20,3 cm (8 pulgadas) de espacio libre entre cada lado y las paredes circundantes y asegúrese de que haya 30,5 cm (12 pulgadas) de espacio libre entre la parte superior del electrodoméstico y cualquier armario o techo. Esto permitirá una circulación de aire adecuada.

1. Ubique el electrodoméstico en un lugar donde no necesite cables alargadores.

2. Elija un lugar con temperaturas constantes durante todo el año. No se recomienda poner el electrodoméstico en funcionamiento cuando la temperatura del aire circundante sea inferior a 5°C (41°F), aunque el electrodoméstico no se dañará por soportar cualquier temperatura por debajo de 5°C (41°F), si el control de temperatura está configurado para evitar el funcionamiento del electrodoméstico. Para mantener los gastos de funcionamiento bajos, no coloque el electrodoméstico cerca de una cocina, horno, calefactor o bajo la luz solar directa. Evite colocar el electrodoméstico en una zona húmeda o mojada como los sótanos.

CARACTERÍSTICAS



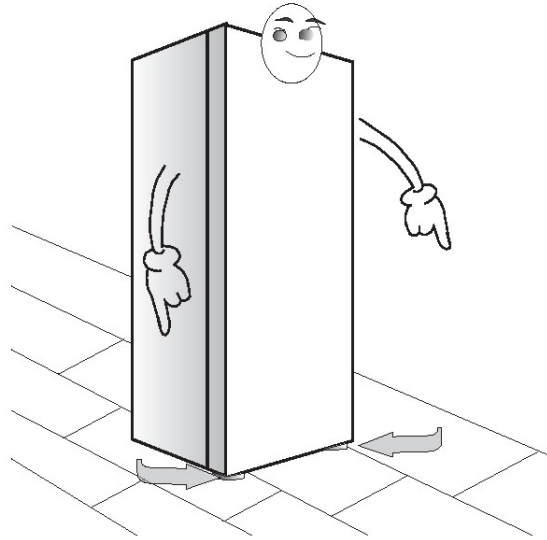
1. Espacio de salida del flujo de aire
2. Estantes de alambre
3. Espacio de entrada del flujo de aire
4. Cajón de alambre
5. Interruptor de la luz
6. Bandeja de la puerta



Instrucciones de instalación

PATAS NIVELADORAS

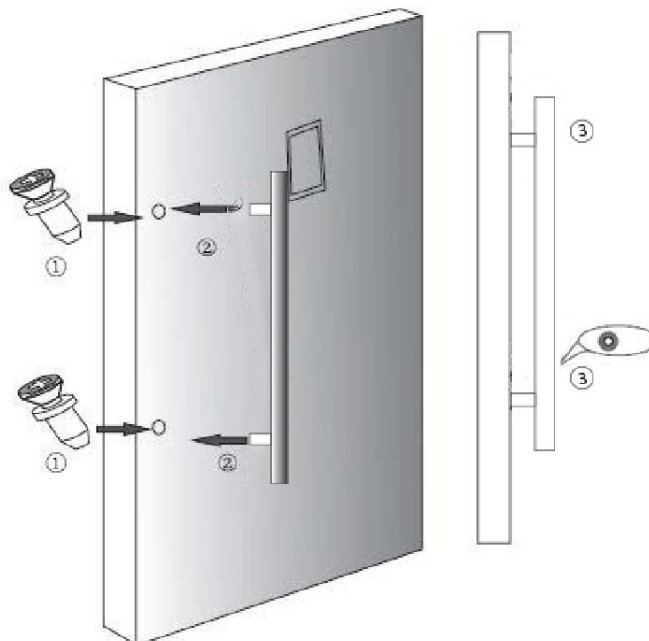
Si el electrodoméstico no está nivelado, la puerta y la junta pueden no funcionar correctamente, y causar que el electrodoméstico opere de manera ineficiente. Para nivelar el electrodoméstico, gire las patas niveladoras en sentido horario para subir o en sentido contrario para bajar.



INSTALACIÓN DEL MANGO

El aparato debe estar desenchufado antes de instalar el mango.

1. Tome 2 tornillos e instálelos en los orificios pretaladrados de la puerta, asegúrese de girarlos hasta que no puedan estar más apretados.
2. Coloque el mango por encima de los tornillos.
3. Coloque el otro conjunto de tornillos del mango en el orificio del otro lado del mango y gire hasta que queden completamente apretados.





Instrucciones de funcionamiento

ENCENDIDO DEL ELECTRODOMÉSTICO

El electrodoméstico está listo para funcionar en el momento en el que lo reciba y cuando esté conectado a la fuente de alimentación. Después de conectarlo a la fuente de alimentación, cierre la puerta y hágalo funcionar. El electrodoméstico funcionará durante 1 a 2 horas o probablemente más tiempo, dependiendo de las condiciones, antes de alcanzar la temperatura de funcionamiento. A continuación, se encenderá y se detendrá (ciclo) a intervalos regulares. Se recomienda no colocar alimentos dentro del electrodoméstico hasta que esté funcionando regularmente y no sean necesarios ajustes finales, generalmente después de estar funcionando aproximadamente 24 horas.

Una vez que el electrodoméstico esté funcionando regularmente, estará listo para almacenar alimentos. No ponga el electrodoméstico en funcionamiento a temperaturas inferiores a -19°C (-3°F), ya que no mejorará la conservación de los alimentos y solo causará un mayor tiempo de funcionamiento y consumo de energía. No es aconsejable congelar más de 1-1,4 kg. (2-3 libras) de comida, por litro (pie cúbico) cuadrado en cualquier período de 24 horas. Puede llevar 15 horas o más de funcionamiento el poder congelar esta cantidad de comida.

Cuando añada paquetes de alimentos frescos y sin congelar, guárdelos contra las paredes. El sensor de la bombilla del termostato está fijado a la pared del revestimiento en el "lado de aislamiento" del electrodoméstico. En vista del valor del contenido del electrodoméstico, es aconsejable inspeccionarlo y comprobar el funcionamiento regularmente.

Nota: Este electrodoméstico no está diseñado para instalación externa, incluida la instalación en cualquier lugar sin temperatura controlada, como garajes, porches, cocheras, etc. Antes de conectar el electrodoméstico a una fuente de alimentación eléctrica, déjelo reposar durante 6 horas. Esto reducirá la posibilidad de un funcionamiento inadecuado en el sistema de enfriamiento debido a la manipulación del transporte.

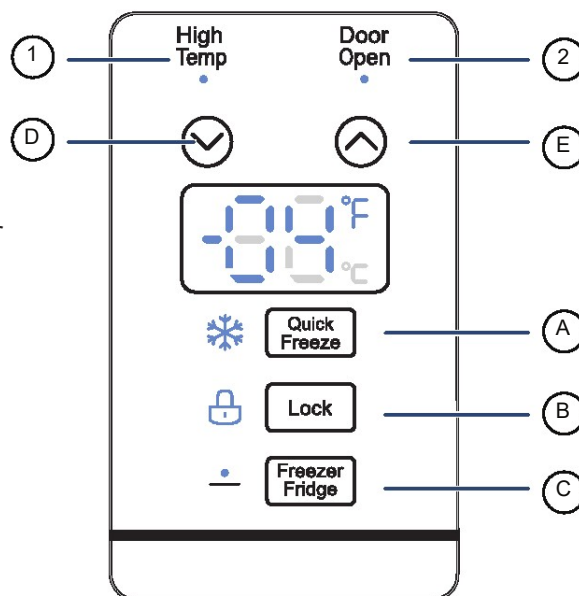
CONTROL DE LA TEMPERATURA

• Indicador

1. Alta temperatura (Alarma de alta temperatura)
2. Puerta abierta (Alarma de puerta abierta)

• Botón

- A. Botón de congelación rápida
- B. Botón de bloqueo
- C. Botón de interruptor de Congelador / Refrigerador
- D. Ajuste de reducción de temperatura
- E. Ajuste de aumento de temperatura





Instrucciones de funcionamiento

INDICADORES

Alarma de alta temperatura

Cuando el electrodoméstico se encuentra en modo frigorífico y si la temperatura interna es superior a 15°C (59°F) durante más de 36 horas, sonará la alarma de alta temperatura. La luz indicadora de alta temperatura se iluminará y el electrodoméstico emitirá un zumbido durante 10 segundos cada treinta minutos. Pulse cualquier botón de la pantalla para silenciar la alarma de alta temperatura. La alarma se apagará automáticamente cuando la temperatura interna baje por debajo de 12°C (54°F).

Cuando el electrodoméstico se encuentra en modo congelador y si la temperatura interna es superior a -8°C (18°F) durante más de 36 horas, sonará la alarma de alta temperatura. La luz indicadora de alta temperatura se iluminará y el electrodoméstico emitirá un zumbido durante 10 segundos cada treinta minutos. Pulse cualquier botón de la pantalla para silenciar la alarma de alta temperatura. La alarma se apagará automáticamente cuando la temperatura interna baje por debajo de -12°C (10°F).

Alarma de puerta abierta

Si la puerta permanece abierta durante más de 5 minutos, la luz indicadora de puerta abierta se iluminará y sonará un zumbido. Pulse cualquier botón en la pantalla o cierre la puerta para silenciar la alarma de puerta abierta.

BOTONES

Botón de Congelación Rápida

La función de congelación rápida permitirá que el dispositivo funcione continuamente durante 3 horas para alcanzar y mantener una temperatura de -25°C (-13°F). Pulse el botón Congelación Rápida para comenzar el modo de Congelación Rápida y el icono azul del copo de nieve se iluminará. Después de 3 horas, el electrodoméstico volverá automáticamente a su funcionamiento habitual. Si el electrodoméstico no logra alcanzar los -25°C (-13°F), la función de Congelación Rápida se apagará después de 24 horas.

Botón de bloqueo

El botón de bloqueo bloqueará el panel de control para que no se puedan realizar cambios en la programación. Mantenga pulsado el botón de bloqueo durante 3 segundos para activar el bloqueo del panel de control. El botón de bloqueo se iluminará y el electrodoméstico emitirá un pitido. Mantenga pulsado el botón de bloqueo durante 3 segundos para desactivar el bloqueo del panel de control. El icono de bloqueo se apagará y el electrodoméstico emitirá un pitido.

Botón de selección Congelador / Refrigerador

El botón de selección Congelador / Refrigerador indicará al electrodoméstico si debe funcionar como congelador o como refrigerador. Mantenga pulsado el botón de Congelador / Refrigerador durante 3 segundos. El icono del punto superior se iluminará y el electrodoméstico emitirá un pitido para indicar que está funcionando como congelador. Cuando el electrodoméstico esté funcionando como congelador, mantenga pulsado el botón Congelador / Refrigerador durante 3 segundos y el icono del punto inferior se iluminará y el electrodoméstico emitirá un pitido para indicar que está funcionando como refrigerador.

El rango de temperatura para la operación del congelador es de -12°C ~ -24°C (10°F ~ -1°F).

El rango de temperatura para la operación del refrigerador es de 2°C ~ 8°C (35°F ~ 46°F).

Botones Arriba/Abajo

Pulse el botón hacia abajo para reducir la temperatura establecida. Pulse el botón hacia arriba para subir el ajuste de temperatura.

Botón °C / °F

Para cambiar la escala de visualización, mantenga pulsados los botones de arriba y abajo durante 3 segundos.

Botón de reinicio

Para restablecer la programación del artefacto, mantenga pulsado el botón de bloqueo y el botón de arriba al mismo tiempo durante 3 segundos. El electrodoméstico emitirá un pitido y todos los iconos en la pantalla se iluminarán durante 3 segundos. Si el compresor está funcionando, se detendrá durante 5 minutos a medida que se restablezca el panel de control interno.

El funcionamiento normal se reanudará después de 5 minutos.



Cuidado y mantenimiento

Descongelación

Este electrodoméstico está equipado con un sistema de enfriamiento tipo "Frost Free" (sistema libre de escarcha), lo que significa que nunca tiene que ser descongelado manualmente. La descongelación se realiza automáticamente mediante un componente calefactor de descongelación y un temporizador de descongelación que se encenderá y apagará mientras el electrodoméstico esté funcionando. El agua de descongelación se dirige a una bandeja de descongelación ubicada al lado del compresor, donde luego se evaporará.

LIMPIEZA

1. Retire todo el contenido y desconecte el electrodoméstico.
2. Con un detergente suave y una solución de agua tibia, use un paño húmedo limpio o una esponja para limpiar el interior del electrodoméstico.
3. No utilice productos de limpieza abrasivos o fuertes. Lave a mano, enjuague y seque todas las superficies a fondo. No use ceras de limpieza, detergentes, lavandina, etc. en el electrodoméstico. Nunca use toallas de papel, spray para ventanas, limpiadores abrasivos o inflamables ya que pueden rayar y dañar el electrodoméstico. Limpie con un paño húmedo y seque con uno suave, limpio y seco.

PERÍODO DE VACACIONES

Para los períodos cortos de vacaciones, deje la perilla de control en su configuración normal. Durante las ausencias más prolongadas:

1. Retire todos los alimentos.
2. Desconecte el cable de alimentación de la toma eléctrica.
3. Limpie el electrodoméstico a fondo.
4. Deje la puerta abierta para evitar posibles formaciones de condensación, moho u olores.

FALLO ELÉCTRICO Y MECÁNICO

En caso de fallo mecánico o eléctrico del electrodoméstico, comuníquese con atención al consumidor para obtener información sobre un agente de servicio local de inmediato. Tenga a mano el número de modelo y de serie, éstos se pueden encontrar en la placa de serie ubicada en el exterior de la pared trasera del gabinete.

CORTE DE ELECTRICIDAD

La mayoría de los cortes de electricidad se corrigen dentro de una hora o dos y no afectarán las temperaturas del electrodoméstico.

Minimice la cantidad de aperturas de la puerta mientras esté apagado. Durante los cortes de electricidad de mayor duración, tome medidas para proteger los alimentos.

PERÍODO DE MUDANZAS

Retire o sujete firmemente todos los artículos sueltos dentro del electrodoméstico. Para evitar que se dañen las patas niveladoras, gírelas hasta llegar a la base.



Resolución de problemas

La información incluida en este manual está sujeta a cambios sin previo aviso.

PROBLEMA	POSIBLE CAUSA	SOLUCIÓN
No funciona	<ul style="list-style-type: none"> . El electrodoméstico no dispone de fuente de alimentación . El cable de alimentación está desconectado . Se está usando la tensión incorrecta 	<ul style="list-style-type: none"> . Compruebe la conexión del cable de alimentación a la fuente de alimentación . Enchufe el electrodoméstico . Use el voltaje apropiado
El electrodoméstico funciona continuamente	<ul style="list-style-type: none"> . Ajuste de temperatura demasiado bajo (frío) . La puerta no está cerrada . Se han guardado alimentos calientes . La puerta está abierta demasiado tiempo o demasiado a menudo . Proximidad a una fuente de calor o luz solar directa . Se ha ajustado la función de Congelación Rápida 	<ul style="list-style-type: none"> . Ajuste el control de temperatura a más calor . Cierre la puerta de forma segura . Asegúrese de que los alimentos estén a temperatura ambiente antes de guardarlos . Minimice la frecuencia / duración de las aperturas de la puerta . No coloque el electrodoméstico cerca de fuentes de calor o luz solar directa . Esto es normal
La temperatura interior no está suficientemente fría	<ul style="list-style-type: none"> . El electrodoméstico no dispone de fuente de alimentación . El cable de alimentación está desconectado . Ajuste de temperatura demasiado alto (caliente) . La tapa no está cerrada . Se han guardado alimentos calientes . La tapa está abierta demasiado tiempo o demasiado a menudo . Obstrucción del flujo de aire . Se está usando el voltaje incorrecto . Proximidad a una fuente de calor o luz solar directa 	<ul style="list-style-type: none"> . Compruebe la conexión del cable de alimentación a la fuente de alimentación . Enchufe el electrodoméstico . Verifique la configuración y ajuste según sea necesario . Cierre la tapa de forma segura . Asegúrese de que los alimentos estén a temperatura ambiente . Minimice la frecuencia / duración de las aperturas de la tapa . Deje espacio para que circule el aire alrededor del electrodoméstico . Use el voltaje apropiado . No coloque el electrodoméstico cerca de fuentes de calor o luz solar directa
La temperatura dentro del electrodoméstico es demasiado fría	<ul style="list-style-type: none"> . El control de temperatura está demasiado frío 	<ul style="list-style-type: none"> . Ajuste la temperatura
Ruidos provenientes del electrodoméstico (chasquido, crujido, gorgoteo)	<ul style="list-style-type: none"> . Los componentes internos se están expandiendo y contrayendo . El refrigerante está circulando en el sistema 	<ul style="list-style-type: none"> . Esto es normal . Esto es normal

CÓDIGOS DE ERROR

- E2: Fallo del sensor de temperatura.
- E5: Fallo del sensor de descongelación.
- E6: Fallo de comunicación.
- E7: Fallo del sensor de temperatura.
- E9: Alta temperatura.

Para borrar todos los códigos de error, desenchufe el electrodoméstico y déjelo reposar durante 5 minutos, luego conéctelo de nuevo. Si el código de error persiste, comuníquese con atención al consumidor para obtener más información sobre la resolución de problemas.

