



18.3 Cu. Ft. Top Freezer Refrigerator

Top Freezer Refrigerator

Available Products: FFHT1835VB, FFHT1835VS, FFHT1835VW

Available Colors: Black, Stainless Steel, White

Version: 08/22

## Product Specifications

### Refrigerator

Crisper Color	Clear
Deli Drawer	Yes
Door Bin Color	White
Humidity Controls	Automatic
Interior Lighting	LED
Shelf Material	Glass
Number of Fixed Gallon Door Bins	2
Number of Adjustable Shelves	2
Number of Crispers	2
Air Filter Ready	Yes

### Ice Maker

Ice Maker	No
Ice Maker Ready	Yes

### Dimensions and Volume

Height With Hinge	66 3/8"
Height Without Hinge	65 7/8"
Width	30"
Width of Cabinet	30"
Depth of Cabinet	26 5/8"
Depth With Door	30 3/8"
Depth With Door 90° Open	57"
Depth With Door and Handle	30 3/8"
Fresh Food Capacity	13.4 Cu. Ft.
Freezer Capacity	4.9 Cu. Ft.
Total Capacity	18.3 Cu. Ft.

### General Specifications

Annual Energy	369 kWh
Refrigerant Type	R-600A
Warranty - Labor	1 Year
Warranty - Parts	1 Year

### Performance Certifications and Approvals

ENERGY STAR Certified	Yes
-----------------------	-----

### Freezer

Automatic Defrost	Yes
Baskets / Bins Color	White
Shelf Material	Glass
Number of Fixed Door Bins	2
Number of Adjustable Shelves	1

### Controls

Digital Display	No
-----------------	----

### Electrical Specifications

Minimum Circuit Required	15 Amps
--------------------------	---------

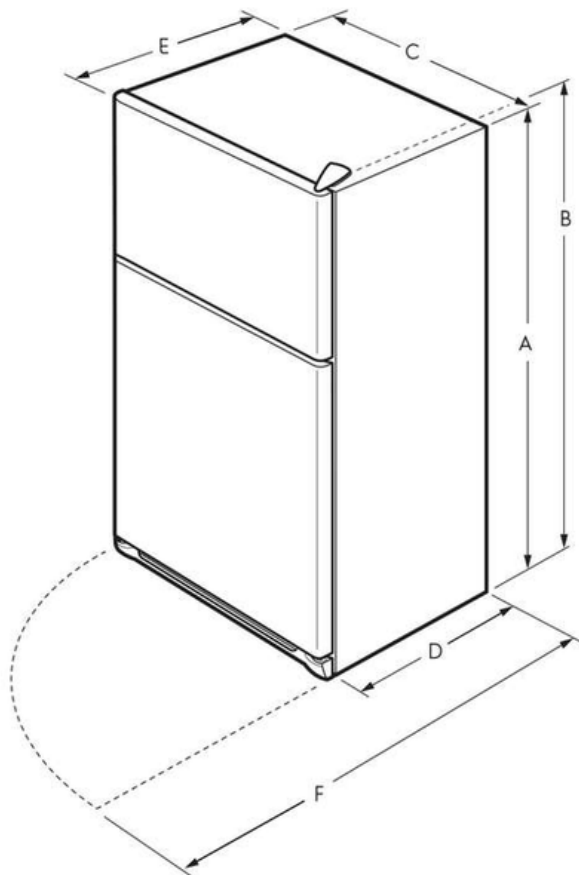
### Certifications and Approvals

ADA Compliant	Yes
---------------	-----

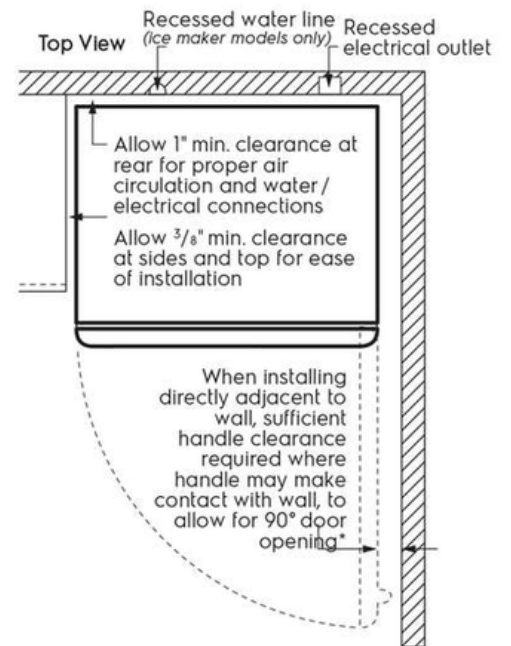
### Safety Certifications and Approvals

UL Listed	Yes
-----------	-----

## Installation Diagram



A	65 <sup>7</sup> / <sub>8</sub> "
B	66 <sup>3</sup> / <sub>8</sub> "
C	30"
D	26 <sup>5</sup> / <sub>8</sub> "
E	30 <sup>3</sup> / <sub>8</sub> "
F	57"



\* When installing refrigerator adjacent to wall, cabinet or other appliance that extends beyond front edge of unit, 20" minimum clearance recommended to allow for optimum 140° door swing, providing complete crisper access and removal. (Absolute 3" minimum clearance will ONLY allow for 90° door swing which will provide limited crisper access with restricted removal.)