

# Leonardo Espresso 30-inch Slide-In Gas Range in Black

## 5.0 cu. ft.

Model: FFSGS116-30BLK



INCLUDE  
STAINLESS STEEL &  
ANTIQUÉ BRASS  
HANDLE & KNOBS



### FEATURES

Convection Type	Single Fan
LP Convertible	Yes
LP Kit Provided	Yes
Oven Cleaning Type	Standard Clean
Simmer Burner	Yes
Oven Lights	2
Oven Cooking Function:	Yes
Convection Bake	Yes
Broil	Yes
Oven lights control switch activated	Yes
Temperature Range	140 °F - 500 °F
Work Support	Yes
Leveling Leg	Max: 1" - Min: 25/64
Oven rack:	
Rack Levels	6
Oven Racks	2
Oven rack size (WxD)	24 <sup>19</sup> / <sub>32</sub> " x 16 <sup>3</sup> / <sub>16</sub> "
Rack material	Electroplated
Telescopic Racks	No

### KEY FEATURES

- Knob control
- Standard clean
- Black Finish
- 5 cu.ft. Convection Oven
- Cast Iron Work Ring
- 5 Sealed Burners
- Black enamel Cooktop
- Continuous Cast Iron Grates
- Stainless Steel Knobs & Handle
- Antique Brass Knobs & Handle
- Work support

### APPEARANCE

Appliance type	Gas Range
Range Size	30"
Door Color	Black
Handle Color	Choice of SS or Anti-Brass
Knobs Color	Choice of SS or Anti-Brass
Cooktop surface type	Cast Iron Grates/Black enamel
Oven interior color	Black
Number of Knobs	6
Case material	Steel
Case color	Black Steel

### OVEN SPECS

Oven capacity	5 cu.ft.
Oven interior Dimensions (WxHxD)	24 <sup>13</sup> / <sub>32</sub> " x 19 <sup>11</sup> / <sub>16</sub> " x 17 <sup>29</sup> / <sub>32</sub> "
Bake BTU	15000
Broiler BTU	7500

### RANGE TOP SPECS

Number of burners	5
Cooktop capacity:	
Left Front :	12000 BTU
Left Rear :	6000 BTU
Middle :	6000 BTU
Right Front :	12000 BTU
Right Rear :	3500 BTU

## TECHNICAL SPECIFICATIONS

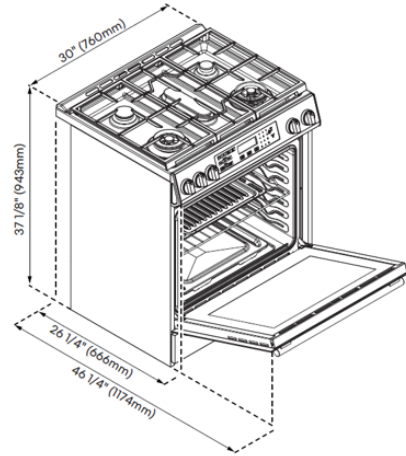
Electrical supply	120 V 60 HZ
Dedicated Circuit Breaker	15 Amps
Regulator Included	Yes
Pre-installed Regulator	No
Power cord Included	Yes
Power Cord Length	4.27 (FT)
Power Cord Type:	NEMA 5-15P
Certification	cETLus
Warranty	2 yrs
Weight	150lbs
Pressure Required (Inch WC)	NG: Min. -4 / Max. 7 LP: Min. -10 / Max. 11

## CARTON SPECIFICATIONS

Packaging dimensions (WxDxH)(in)	33" x 39 13/32" x 29 5/16"
Packaging Weight (lbs)	196.2

## PRODUCT DIMENSION

Oven dimensions (WxHxD)	30" x 37 1/16" x 27"
Depth with Oven Door Open 90° (back of unit to front of the door open 90°)(IN)	46 7/32"
Depth without Oven Door Handle (IN)	25
Depth without Oven Door (IN)	24



## ADDITIONAL ACCESSORIES



Stainless steel handle



Antique brass handle

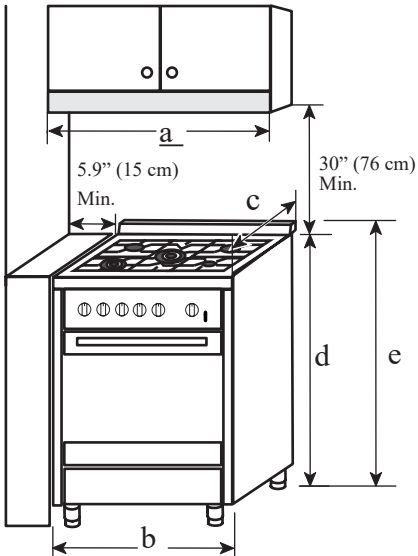


Stainless steel knob

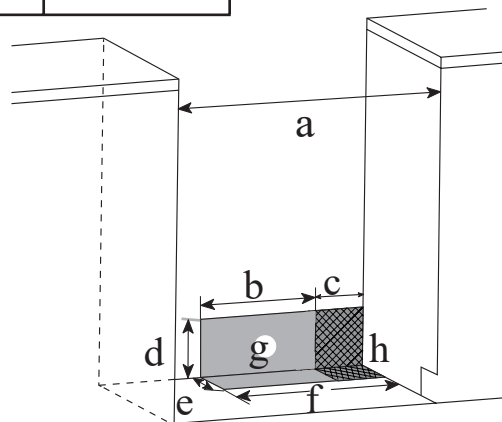


Antique brass knob

## CUTOUT DIMENSION



	Dimension
a	30" (76 cm)
b	30" (76 cm)
c	25" (63.5 cm)
d	36" (91.4 cm)
e	37 3/4" (96 cm)



- a 30" (76 cm)
- b 11 1/2" (29.2 cm)
- c 6" (15.2 cm)
- d 7 1/4" (18.4 cm)
- e 3" (7.6 cm)
- f 17 1/2" (44 cm)
- g Recommended Location for Electrical Outlet
- h Recommended Location for Gas Supply Connection