

Galiano 36-inch Freestanding Gas Range All Stainless Steel, 6 Burners, 83,000 BTU, 5.36 cu.ft. Convection Oven

Model: FFSCS6244-36



KEY FEATURES

- 6 Sealed Burners
- Total stove-top output of 83,000 BTU
- Continuous Cast Iron Grates
- Deep Recessed Black Enamel Cooktop
- All Stainless Steel Design
- 5.36 cu.ft. Convection Oven

APPEARANCE

Appliance type	Gas Range
Range Size	36"
Door Color	Stainless Steel
Handle Color	Stainless Steel
Knobs Color	Stainless Steel
Cooktop surface type	Deep Recessed
Oven interior color	Black enamel
Number of Knobs	7
Number of Burners	6
Case material	Stainless Steel
Case Color	Stainless Steel

FEATURES

Convection Type	Single Fan
Convection Control Type	Switch activated
LP Convertible	Yes
LP Kit Provided	Yes
Oven Cleaning Type	Manual cleaning
Simmer Burner	Yes
Oven Lights	2
Oven lights control	Switch activated
Oven Cooking Function:	
Convection Bake	Yes
Broil	Yes
Leveling Leg	Max: 1" - Min: 25/64
Oven rack:	
Oven rack levels	6
Oven rack	2
Oven rack size (WxD)	30" x 15"
Rack material	Electroplated
Telescopic Racks	No
Temperature Gauge	No
Wok Support	No
Reversible Griddle	No
Grates Material	Cast Iron
Grates Type	Continuous

OVEN SPECS

Oven capacity	5.36 cu.ft.
Oven Usable Dimensions (WxHxD)	29" x 15" x 10.88"
Bake BTU	20,000
Broiler BTU	10000

RANGE TOP SPECS

Rear Left Burner :	9,000 BTU
Rear Center Burner :	9,000 BTU
Rear Right Burner :	15,000 BTU
Front Left Burner :	15,000 BTU
Front Center Burner :	15,000 BTU
Front Right Burner :	20,000 BTU

TECHNICAL SPECIFICATIONS

Electrical supply	120 V 60 HZ
Dedicated Circuit Breaker	15 Amps
Regulator Inlet Size	1/2"
Pre-installed Regulator	Yes
Pressure Required (Inch WC)	NG: 6" to 14" LP: 11" to 14"
Power cord Included	Yes
Power Cord Length	5 (FT)
Power Cord Type:	NEMA 5-15P
Certification	cETLus
Warranty	2 yrs

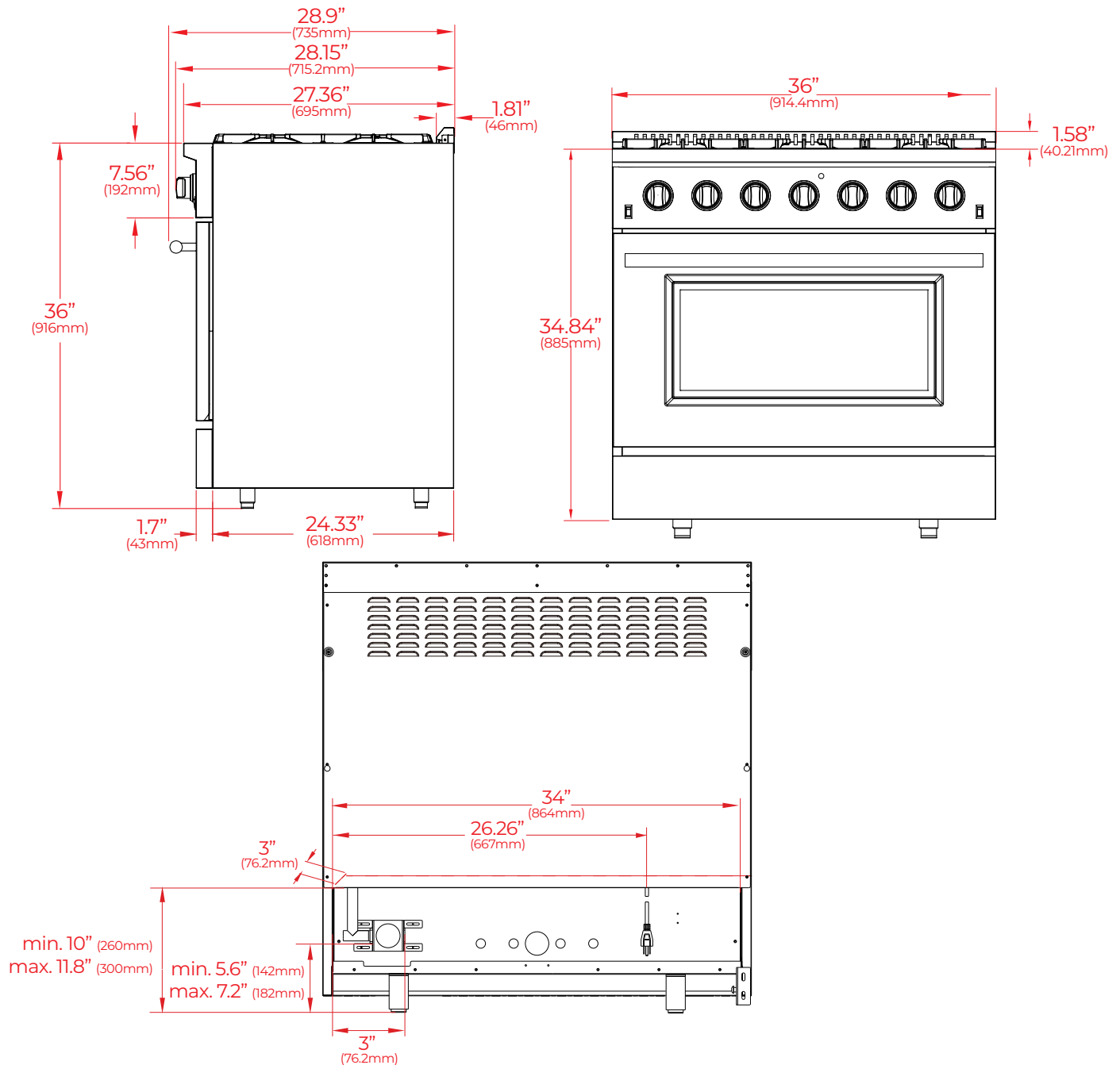
CARTON DIMENSIONS & WEIGHT

Carton dimensions (WxDxH)(in)	38.8"x 30.7" x 43.3"
Carton Weight (lbs & kg)	324 lbs 147 kg

PRODUCT DIMENSIONS & WEIGHT

Product dimensions (WxDxH)(in)	36" x 28.9" x 37.1"
Net weight (lbs & kg)	244.7 lbs 111.0 kg

PRODUCT DIMENSION



CUTOUT DIMENSION

