

# Marco 30-Inch Gas Range Black Antique Brass Design, 6 Burners 37,000 BTU 4.32 cu.ft. Convection Oven

Model: FFSCS6277-30BLK



## KEY FEATURES

- 4 Sealed Burners
- 4.32 cu.ft. Convection Oven
- Continuous Cast Iron Grates
- Black Enamel Cooktop
- BTU output ranging from 4,000 to 15,000 BTU
- Built-In Temperature Gauge
- Black & Antique Brass Design

## APPEARANCE

Appliance type	Gas Range
Range Size	30"
Door Color	Black
Handle Color	Antique Brass
Knobs Color	Antique Brass
Cooktop surface type	Deep Recessed; Grates
Oven interior color	Black enamel
Number of Knobs	5
Number of Burners	4
Case material	Stainless Steel
Case Color	Stainless Steel

## FEATURES

LP Convertible	Yes
LP Kit Provided	Yes
Oven Cleaning Type	Manual cleaning
Simmer Burner	Yes
Oven Lights	2
Oven Cooking Function:	
Convection Bake	Yes
Broil	Yes
Oven lights control	Switch activated
Air fryer Kit	No
Leveling Leg	Max: 1" - Min: $2\frac{5}{64}$
Oven rack:	
Rack Levels	6
Oven Racks	2
Oven rack size (WxD)	24" x 15"
Rack material	Electroplated
Telescopic Racks	No
Wok Support	No
Reversible Griddle	No
Grates Material	Cast Iron
Grates Type	Continuous

## RANGE TOP SPECS

Left Front Burner :	9,000 BTU
Left Rear Burner :	9,000 BTU
Right Front Burner :	15,000 BTU
Right Rear Burner :	4,000 BTU

## OVEN SPECS

Oven capacity	4.32 cu.ft.
Oven Usable Interior Dimensions (WxHxD)	24" x 15" x 12"
Bake BTU	16,000 BTU
Broiler BTU	10,000 BTU
Convection Type	Single Fan
Convection Fan Control	Automatic

### TECHNICAL SPECIFICATIONS

Electrical supply	120 V 60 HZ
Dedicated Circuit Breaker	20 Amps
Regulator Inlet Size	1/2"
Pre-installed Regulator	Yes
Pressure Required (Inch WC)	NG: 6" to 14" LP: 11" to 14"
Power cord Included	Yes
Power Cord Length	4.5 (FT)
Power Cord Type:	NEMA 5-15P
Certification	cETLus
Warranty	2 yrs

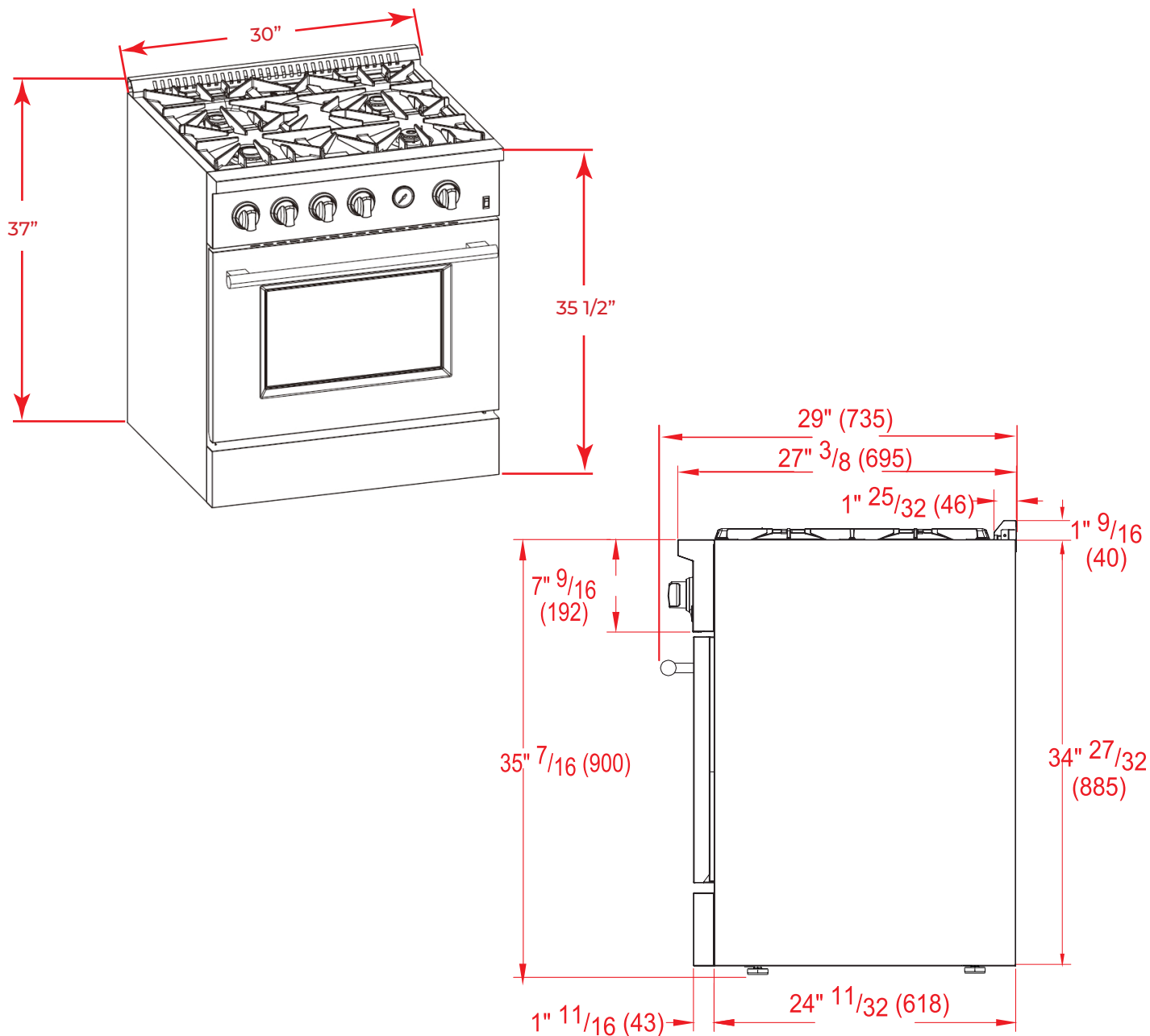
### DIMENSIONS & WEIGHT OF CARTON

Carton dimensions (WxDxH)(in)	33"x 30" x 44"
Carton Weight (lbs & kg)	206 lbs   93.4 kg

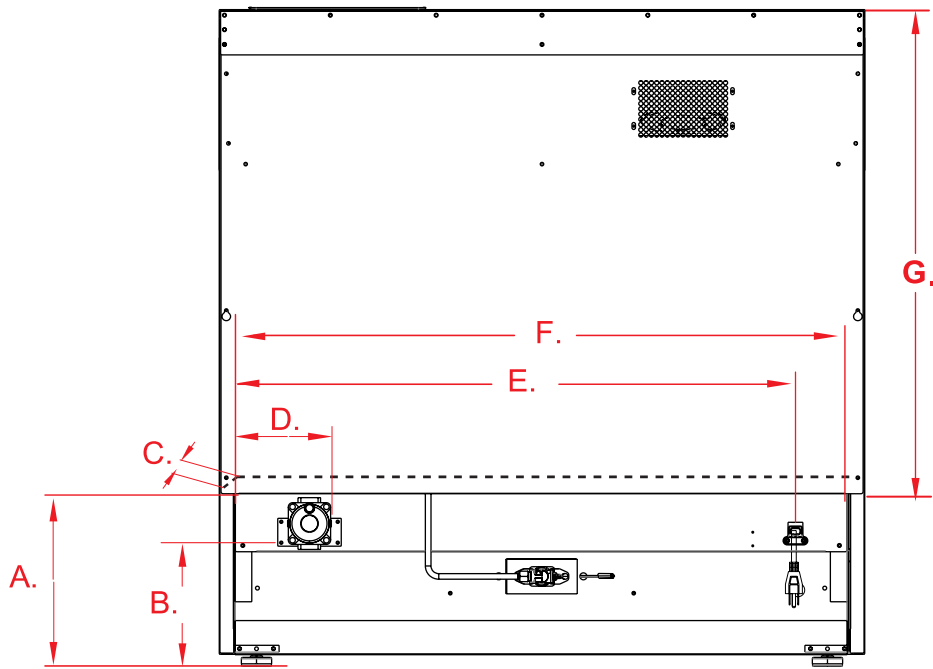
### DIMENSIONS & WEIGHT OF PRODUCT

Product dimensions (WxDxH)(in)	30" x 29" x 37.1"
Net weight (lbs & kg)	168lbs   76.2kg

### PRODUCT DIMENSION



**PRODUCT DIMENSION**



A.	B.	C.	D.	E.	F.
9" 27/32 (250mm)	6" 7/8 (175mm)	3" 15/16 (100mm)	5" 32/15 (139mm)	23" 27/64 (595mm)	28" 32/15 (723mm)

**CUTOUT DIMENSION**

