

Lenardo, 30" Slide-in Induction Range, 5 cu. Ft. In Stainless-Steel

Model: FFSIN0905-30



Features And Benefits

- Stainless-Steel, Slide-In Range
- A Set Of Handles And Knobs In Antique Brass And Stainless Steel.
- 4 Burners
- Ceramic Glass Top
- 5 Cu. Ft Oven Cavity.
- Speckled Blue Oven Interior Finish
- Digital Display
- 2 Oven Racks
- 2 Oven Lights
- Oven Cleaning Type: Self clean feature, Steam Clean Safe

APPEARANCE

| | |
|-----------------------|---------------------------------|
| Door Style | Chef |
| Kick Plate | Yes |
| Warming drawer | No |
| Storage drawer | No |
| Knob design | Standard |
| Knob Color | Antique Brass / Stainless Steel |
| Handle design | Forno |
| Handle color | Antique Brass / Stainless Steel |
| Rangetop surface type | Ceramic Glass top |
| Number of Elements | 4 |
| Number of Ovens | 1 |
| Fingerprint resistant | No |
| Case material | Steel |
| Leveling leg cover | No |

FEATURES

| | |
|----------------------------------|-----------------|
| Convection Technology Type: | True Convection |
| Self Clean | Yes |
| Is The Knob Dishwasher Safe | No |
| Audio Preheat Signal | Yes |
| Preheat Signal | Yes |
| Hot surface Indicator | Yes |
| LED Screen Display | Yes |
| Auto Oven Shut Off With Override | No |
| Telescopic Removable Racks | No |
| Standard Removable Rack | Yes |
| Rack Material | Chrome Plated |
| Oven Modes: | |
| Convection or Conventional | Convection |
| Bake | Yes |
| Dehydrate | No |
| Convection bake | Yes |
| Rotisserie kit | No |
| Broil (high & low) | Yes |
| Convection Broil (high & low) | Yes |
| Convection Roast | Yes |
| Defrost | No |
| Proof | Yes |
| Warming | Yes |
| Air fry | Yes |
| Sabbath | No |
| Door lock | Yes |
| Oven Lights | Yes |
| Clock | Yes |
| °C Or °F Programmable | Yes |
| Timer | Yes |
| Control Lock Option | yes |
| Air-Fryer Kit | Yes |
| Temperature Gauge | No |
| Oven Interior Color | Speckled Blue |
| Oven Rack | 2 |
| Oven Levels | 6 |

DIMENSIONS & WEIGHT

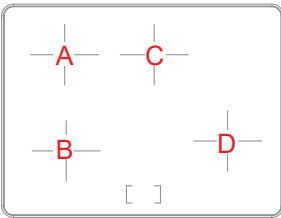
| | |
|----------------------------------|-------------------|
| Product dimensions (WxHxD)(in) | 30 x 38 x 27.95 |
| Net weight (lbs) | 145.5 lbs |
| Packaging dimensions (WxHxD)(in) | 33 x 37.87 x 39.3 |
| Shipping Weight (lbs) | 176.37 lbs |

TECHNICAL SPECIFICATIONS

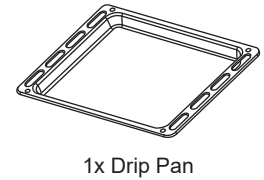
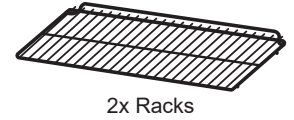
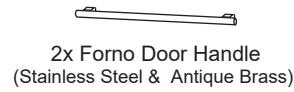
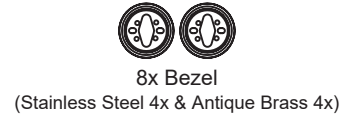
| | |
|---------------------------|------------|
| Circuit Breaker Amperage: | 50 Amps |
| Volts: | 240V |
| Frequency: | 60Hz |
| Power Cord Length: | 5.55 ft |
| Receptacle Type: | Cable Wire |
| Certification | ETL Listed |

BURNER SPECIFICATIONS

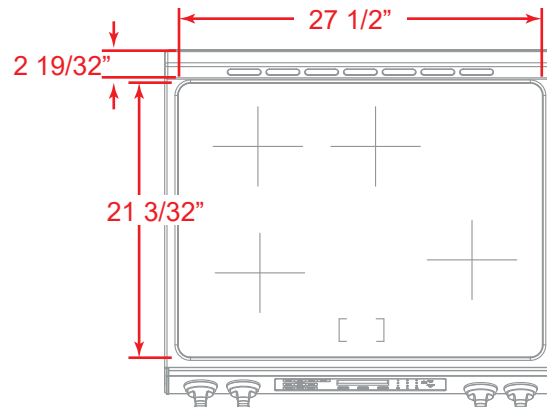
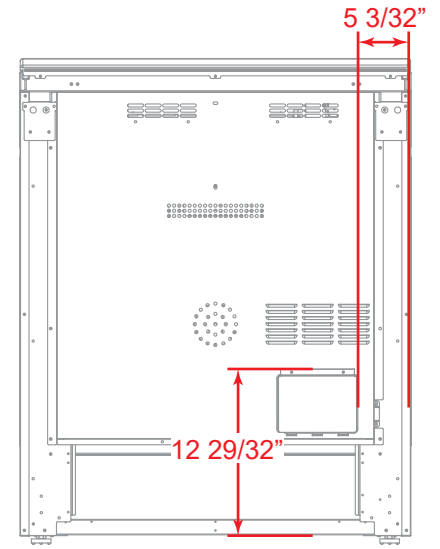
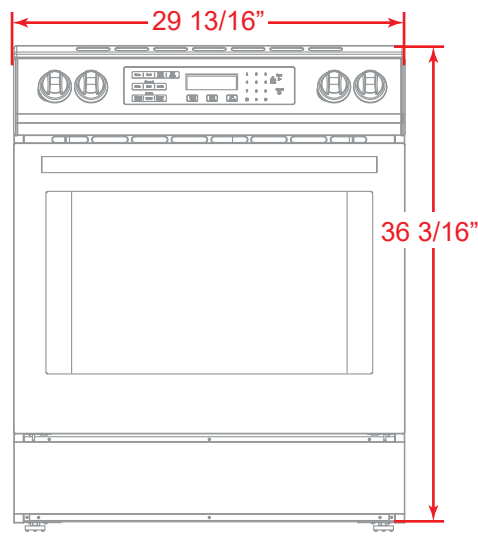
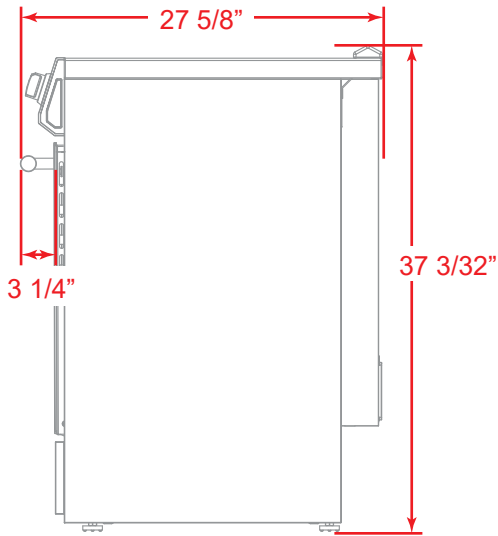
| | |
|------------------------|---------|
| (A) Left Rear Burner | 1,500W |
| (B) Left Front Burner | 2,100W |
| (C) Right Rear Burner | 3,000 W |
| (D) Right Front Burner | 1,500W |



ACCESSORIES



PRODUCT DIMENSION



CUTOUT DIMERNSION

