

# Leonardo Espresso 30-inch Slide-In Induction Range in Stainless-Steel 5.0 cu. ft.

Model: FFSIN0982-30S



## KEY FEATURES

- Ceramic Glass provides an even heat distribution
- Stainless-Steel Finish
- 4 induction elements
- Speckled blue enamel oven
- Stainless Steel Knobs & Handle

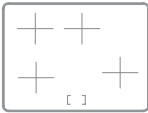
## APPEARANCE

Appliance type	Induction Range
Range Size	30"
Unit material	Stainless Steel
Unit color	Stainless Steel
Oven Interior	Speckled Blue
Handle Color	Stainless Steel
Cooktop surface type	Ceramic Glass
Number of burners	4
Number of Ovens	1
Case material	Stainless Steel
Burner Size	
Left Front :	9"
Left Rear :	7"
Right Front :	7"
Right Rear :	9"

## FEATURES

Type Convection	Single Fan
Oven Cleaning Type	Standard Clean
Light indicator preheat signal	Yes
Rack material	Chrome-Plated
Oven Modes:	
Bake	Yes
Convection bake	Yes
Broil	Yes
Convection Broil	Yes
Convection Roast	Yes
Defrost	Yes
Oven Light(s) Control	Yes
Hidden Bake element	Yes
Oven rack	
Rack Levels	6
Oven Racks	2
Rack Dimensions	24"W x 15.75"D

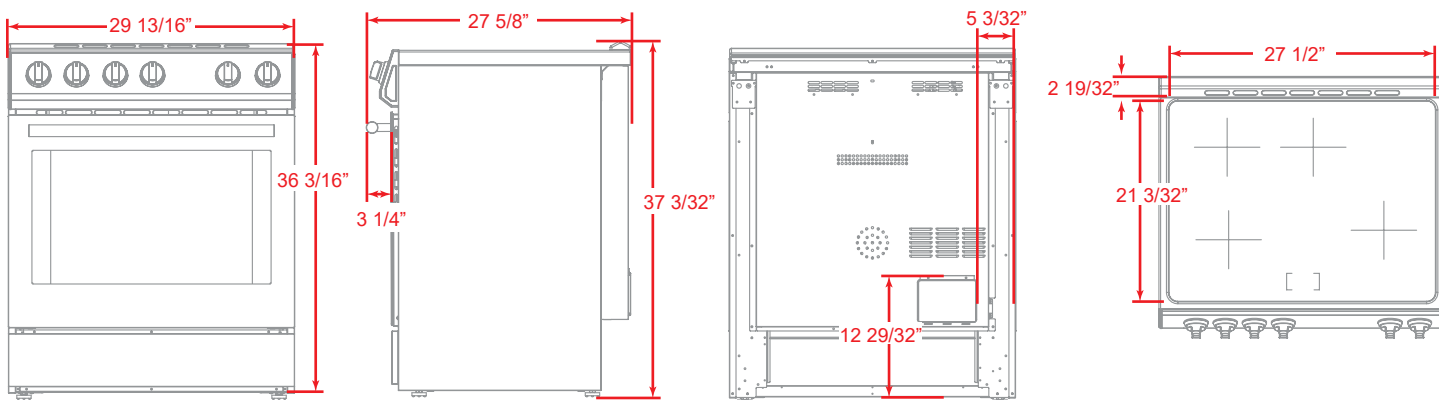
## CAPACITY

Size	W: 30" H: 36" D: 25"
Leveling Leg	Max: 2" Min: 25/64
Oven capacity	W: 24 1/2" H: 19 11/16" D: 17 13/16" cu. ft: 5
Burner capacity	
Left Front :	2100W
Left Rear :	1500W
Right Front :	1500W
Right Rear :	3000W
Bake Wattage	1500W
Broiler Wattage	2000W
Convention Fan Wattage	50w

## TECHNICAL SPECIFICATIONS

Electrical supply	240 V 60 HZ
Total Amp Use	44.79
Power Cord	Yes
Certification	ETL Listed (Can & Us)
Warranty	2 yrs
Packaging dimensions	W: 29" H: 38" D: 33"
Weight	176.5lbs

## PRODUCT DIMENSION



## CUTOUT DIMENSION

