

30" Under Cabinet Range Hood

Ventilation

Available Products: FHWC3050RS

Available Colors: Stainless Steel

Version: 08/22



Product Specifications

Ventilation System

Air Discharge Direction	Vertical
Ductless Vent	No
Exhaust Fan Speeds	3
Maximum Air Flow Capacity	400 CFM
Charcoal Filter Included	No

Surface Light System

Lighting Type	LED
Number of Lights	1

Electrical Specifications

Voltage Rating	120 V
----------------	-------

Certifications and Approvals

ADA Compliant	No
---------------	----

Controls

Control Type	Dial
--------------	------

Dimensions and Volume

Height	10 1/2"
Width	30"
Depth	20"
Duct Diameter	10"

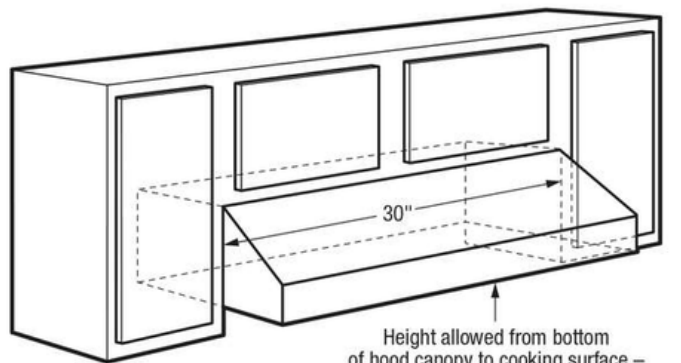
General Specifications

Prop 65 Label	Yes
Warranty - Labor	1 Year
Warranty - Parts	1 Year

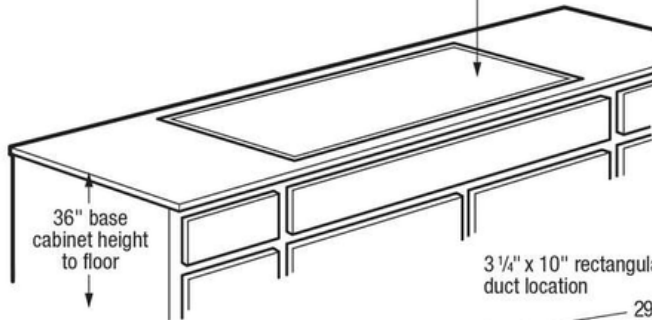
Safety Certifications and Approvals

CSA Listed	No
UL Listed	Yes
cUL Listed	Yes
ETL Listed	No

Installation Diagram



Height allowed from bottom of hood canopy to cooking surface -
24" min.(elec.) / 27" min.(gas) / 30" sugg. max.

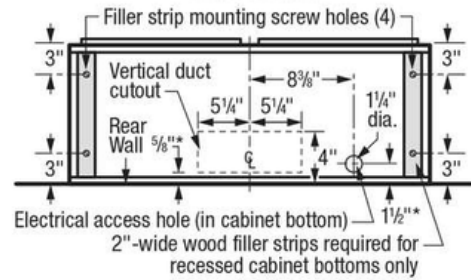


36" base cabinet height to floor

Exhaust

Vent hood is vertically ducted outside using 3 1/4" x 10" rectangular duct. For detailed duct preparation and installation specifications, refer to installation instructions on web.

Cabinet Bottom



Electrical access hole (in cabinet bottom) - 1 1/2"*

2"-wide wood filler strips required for recessed cabinet bottoms only

*From wall, NOT cabinet frame

