

# FI24B-L01

24", FRIDGE AND FREEZER, OT Model

FULLY INTEGRATED

INTEGRATED® SERIES

*Fhiaba*



## FEATURES

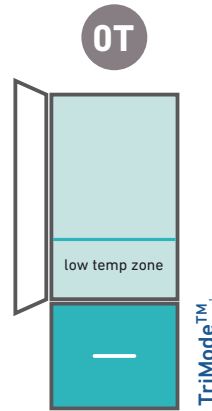
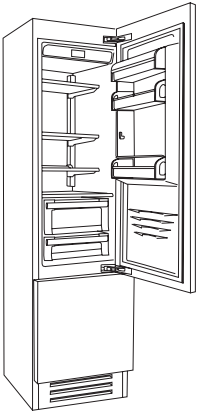
- Made in Italy
- TriMode™: Total Flexibility, make the bottom drawer a refrigerator, fresh food space, or freezer with the control menu
- OptiView™: OptiView LED lights
- EventLift™: Easily rearrange the shelving without removal using the EvenLift system
- ProVent™: Uniform air circulation maintains consistent temperatures throughout the appliance resulting in better food preservation
- Antibacterial Stainless Steel Interiors Drawers: Achieve the highest food quality by storing food in the stainless steel interior drawer that shields against the spread of bacteria
- Total No Frost: No more frost build-up that requires defrosting
- EquiLance™: Achieve a seamless built-in look with Fhiaba's innovative door hinge
- Soft - Close System: State-of-the-art closing system ensures refrigerator and freezer drawers close smoothly and quietly

## GENERAL PROPERTIES

Equilance Hinge	YES
Soft-Closing Glides	YES
Low Vibration	YES
OptiView (Led Light Spots)	YES
Shelves	2
Type Of Shelves	GLASS
Door Bins	3
Fridge Interior Drawers	2
Freezer Drawers	1+1 internal
Evenlift Shelves	YES
Full Extension Shelves 90° Door Opening	NO
Full Extension Drawers 90° Door Opening	YES
Defrost Process	AUTOMATIC
Door Open Alarms	YES
Shopping Fridge	YES
Shopping Freezer	YES
Power Failure Alert	YES
Ice Maker With Water Filter	NO
Water Dispenser With Water Filter	NO
Water Filter Cartridge	NO

# FI24B-L01

## 24", FRIDGE AND FREEZER, OT Model FULLY INTEGRATED INTEGRATED® SERIES PRODUCT DETAIL



1D | 1BD | 2M

**D** = door  
**BD** = drawer  
**M** = separate microclimates

### CAPACITY

Net Capacity	11.6 cuft (328 l)
Upper Compartment Wine Cellar Capacity (Bottles)	N/A
Lower Compartment Wine Cellar Capacity (Bottles)	N/A

### TECHNICAL DETAILS

Total Absorbed Current (A)	3.5
Voltage (V)	115
Frequency (Hz)	60
Power Cord Length	78 3/4" (2 m)
Plug Type	Nema 5-15P
Climate Class	SN/T
Refrigerant (Gas)	R600a
Water Connection / Female Attachment	N/A

### EFFICIENCY

Estimated Yearly Electricity Use	458 kwh
----------------------------------	---------

### DIMENSIONS & WEIGHT

Height Of The Product (Minimum)	83 1/2" (2120 mm)
Adjustable Feet Height	up to 1" (25 mm)
Width Of The Product	23 7/8" (608 mm)
Depth Of Product Without Handle	24" (610 mm)
Cut-out Height	84" (2134 mm)
Cut-out Width	24" (610 mm)
Cut-out Depth	min 24" (610 mm) + panel thickness for flush install
Net Weight	326 lbs (148 kg)
Gross Weight	370 lbs (168 kg)

### TEMPERATURE RANGES

Climate Zones	2
Compartment 1 / Upper Temperature	from 34°F(1°C) to 45°F (7°C)
Compartment 2 / Middle Temperature	N/A
Compartment 3 / Low Temperature	from 9°F (-13°C) to -9°F (-23°C)

# FI24B-L01

24", FRIDGE AND FREEZER, 0T Model

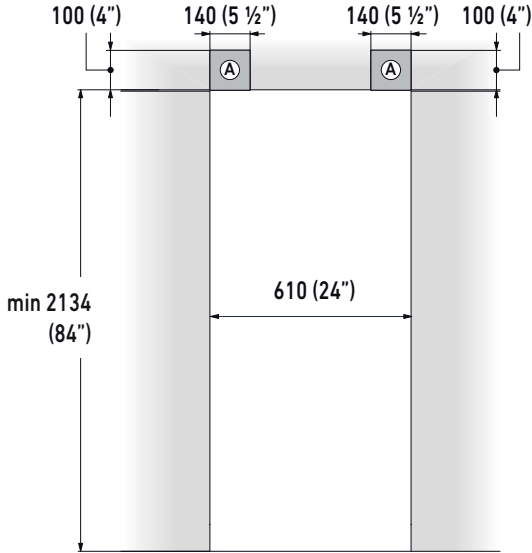
FULLY INTEGRATED

INTEGRATED® SERIES

## PRODUCT SPECIFICATIONS AND DIMENSIONS

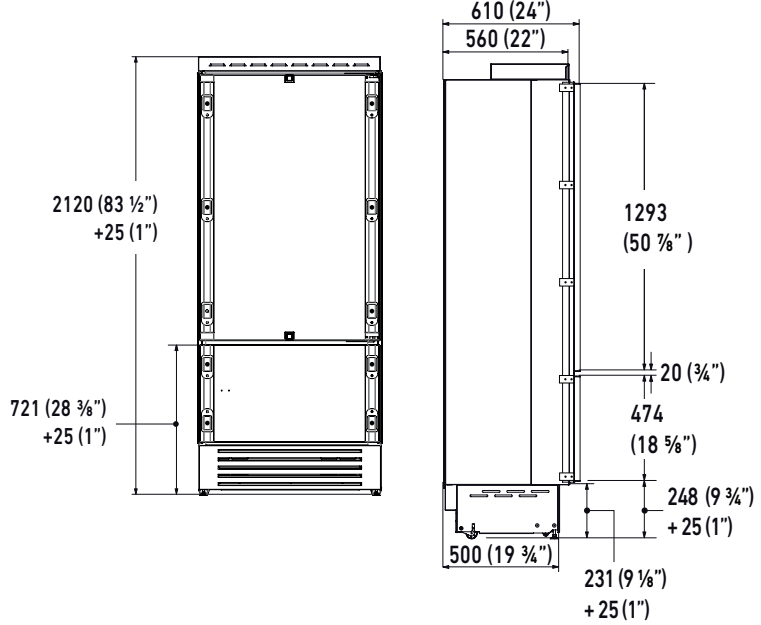


FRONT VIEW

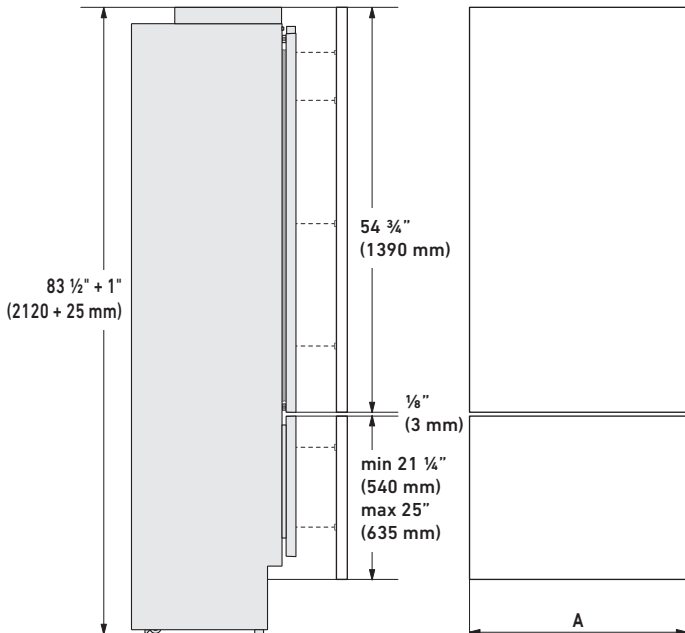


**A**  
Area to be left clear for the anti-tipping brackets

SIDE VIEW

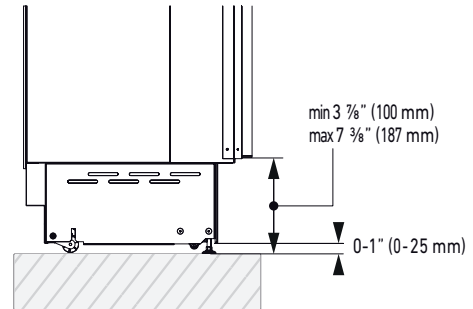


### CUSTOM PANELS INFORMATION



Serie	A
24"	23 3/4" (604 mm)

### PLINTH SIZE



### INTEGRATED PANEL RECOMMENDATIONS

Panels with thickness ranging between 3/4" in (18 mm) and 1 1/8" in (28 mm)

Door Panels Weight Max	51 lbs (23 kg)
Drawer Panels Weight Max	24 lbs (11 kg)

# FI24B-L01

24", FRIDGE AND FREEZER, 0T Model

FULLY INTEGRATED

INTEGRATED® SERIES

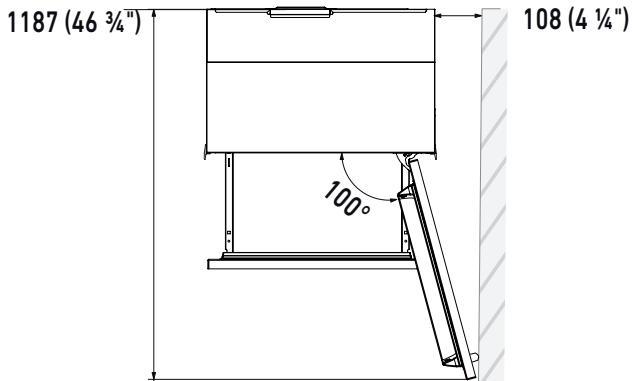
## PRODUCT SPECIFICATIONS AND DIMENSIONS

### TOP VIEWS

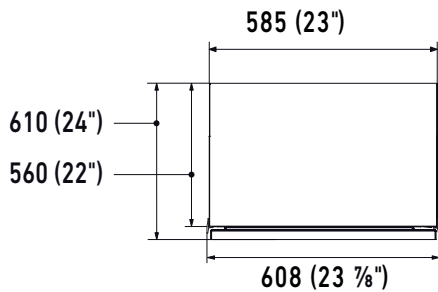


Door swing clearance

Minimum distance from the wall (hinge side)

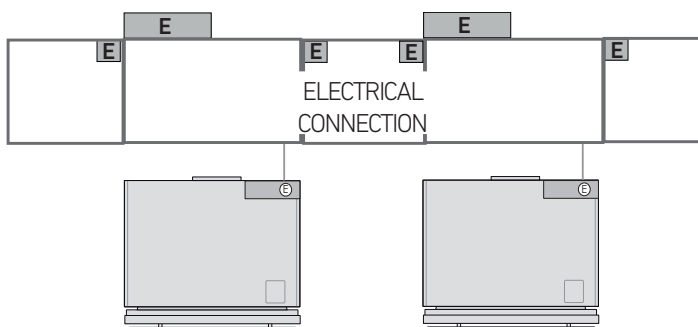


Width of the body of the appliance



Width of appliance with mounting brackets installed (effective width)

### Electrical Connection



Electrical and water connections (if applicable) should be reachable without having to uninstall the appliance. If the connections must be made directly behind the appliance then it is recommended to recess those connections. **IMPORTANT:** do not put the water shut-off valve behind the appliance where it will be inaccessible.