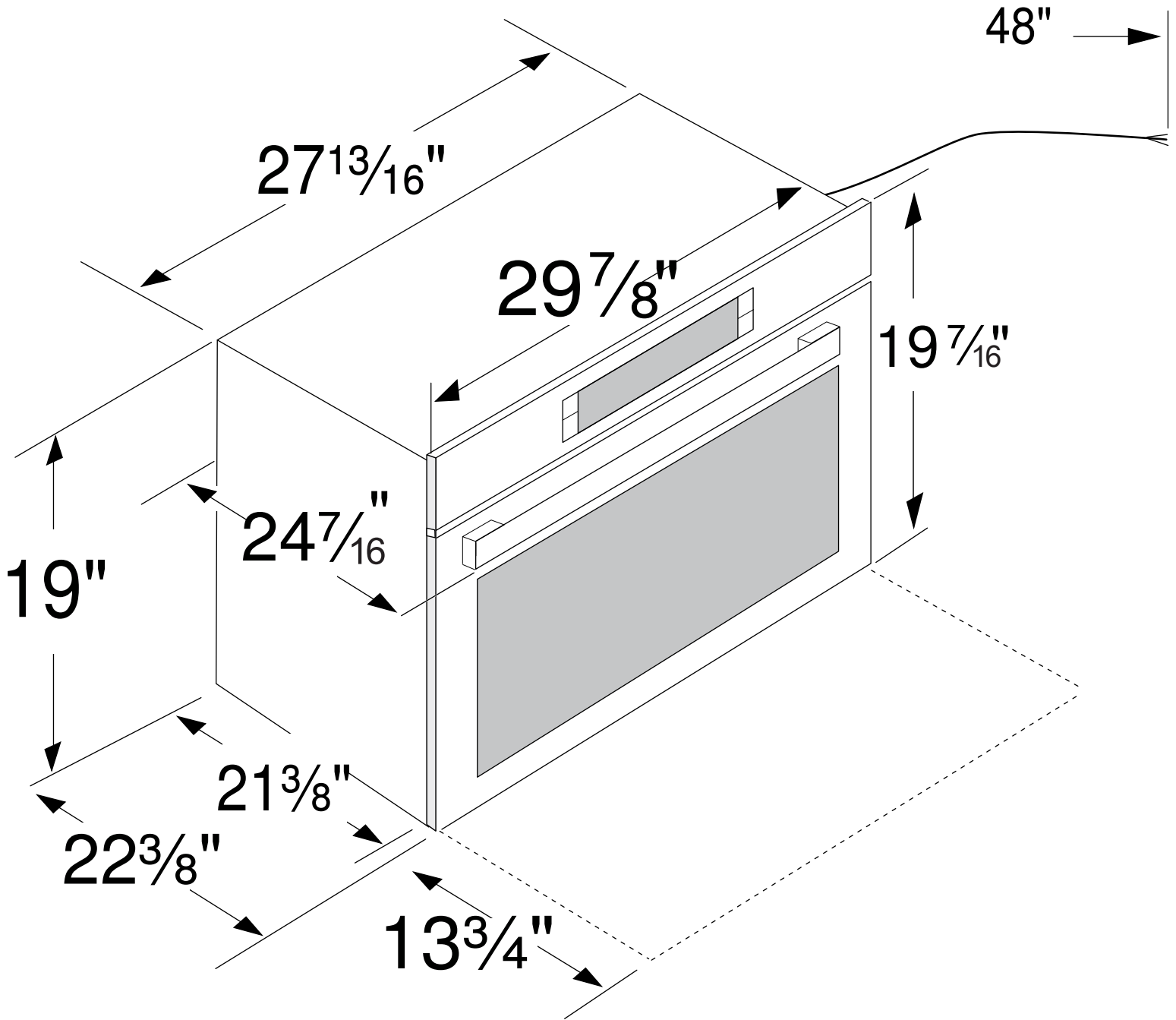


PRODUCT & CUTOUT DIMENSIONS

Model: FMWDR3093-30



PRODUCT DIMENSIONS



PRODUCT & CUTOUT DIMENSIONS

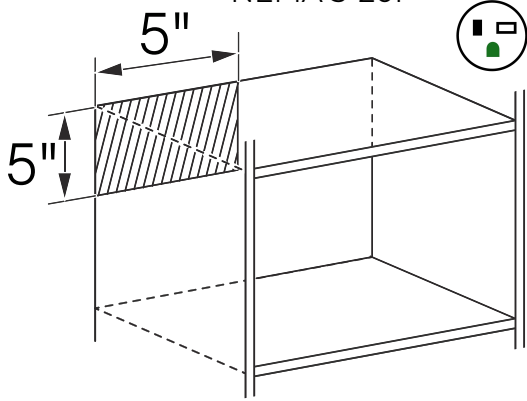
Model: FMWDR3093-30



OUTLET AREA

The outlet can be located anywhere within the shaded area. Anywhere within the shaded area, the minimal distance between the appliance and the wall is $1\frac{3}{4}$ in (45mm).

Note: Power cord plug is a NEMA 5-20P 



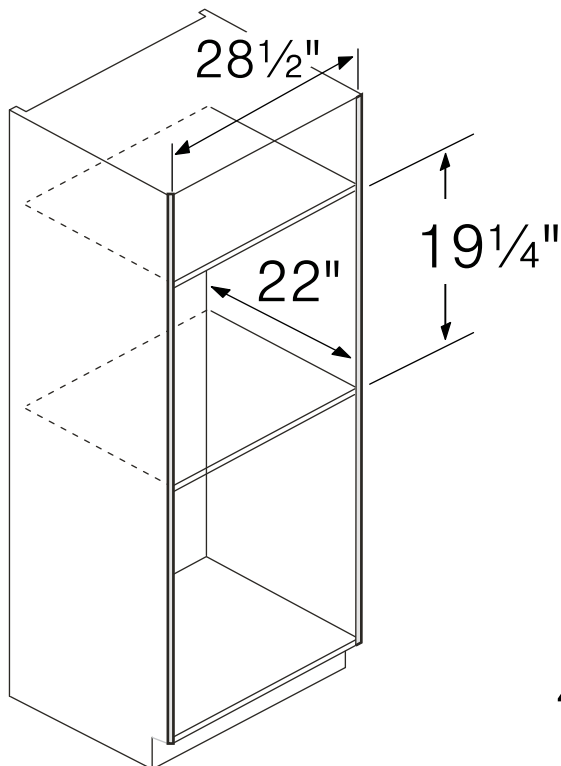
GENERAL CABINET REQUIREMENTS

- $\frac{1}{4}$ " (6.4 mm) space between the side of the appliance and an adjacent wall or cabinet door when installed at the end of a cabinet run.
 - The cabinet base must be flat and capable of supporting the weight of your appliance when in use.
- See section *Cabinet Dimensions*
- The appliance door will overlap the furniture below by approx $\frac{3}{16}$ " (5 mm) when opened.

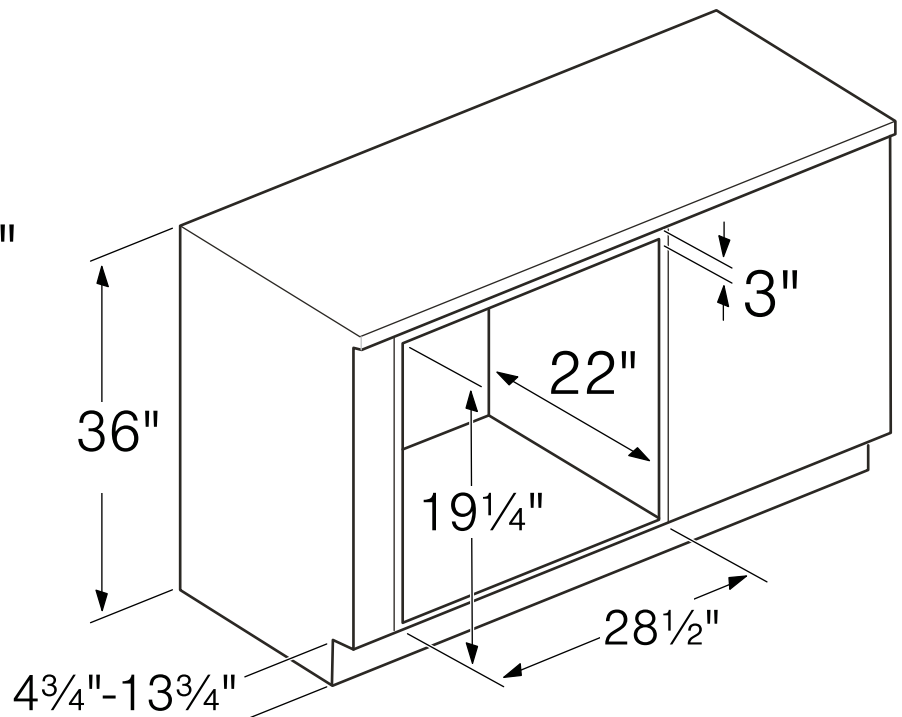
WARNING

There must be an air gap of at least $\frac{1}{2}$ " (6 mm) between the appliance and the cabinet walls when the appliance is installed, i.e. $\frac{3}{8}$ " (3 mm) each side.

CABINET DIMENSIONS



UNDER COUNTER DIMENSIONS



NOTICE: The cabinet base must be flat and capable of supporting a weight of at least 142 lbs (64.1 kg).