

falmec



Design

Line Pro NRS

wall/parete

FNLIN30W6SS / FNLIN36W6SS

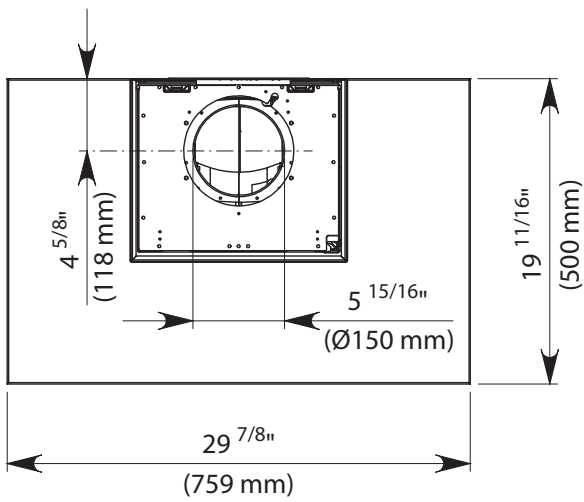
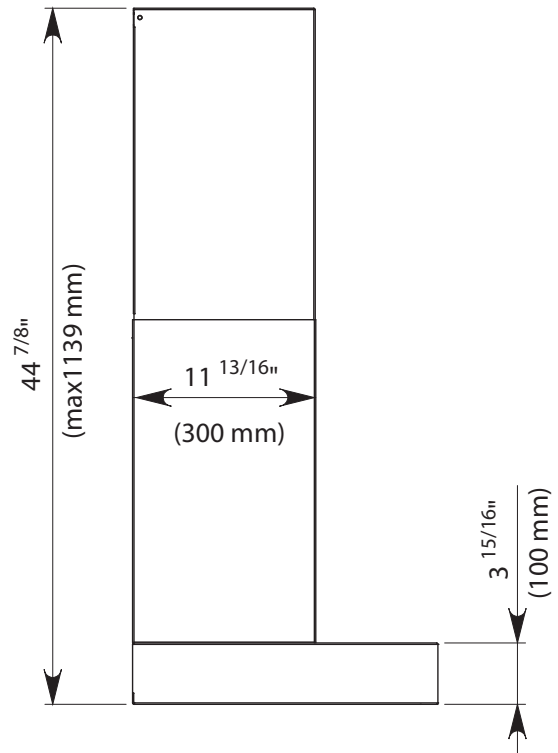
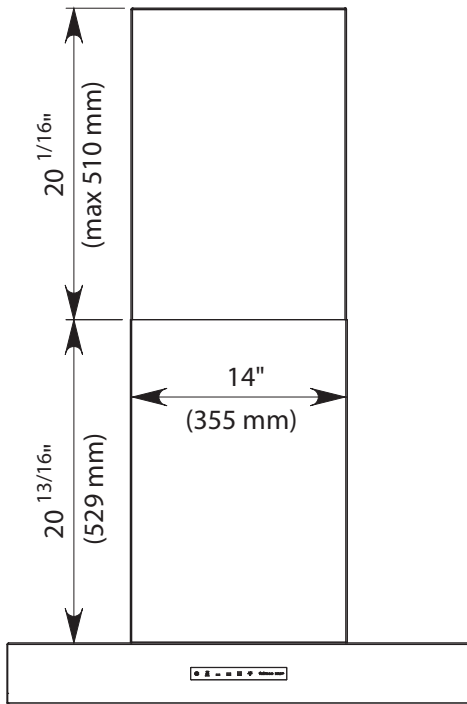
INSTRUCTIONS BOOKLET


MODE D'EMPLOI ^{FR}

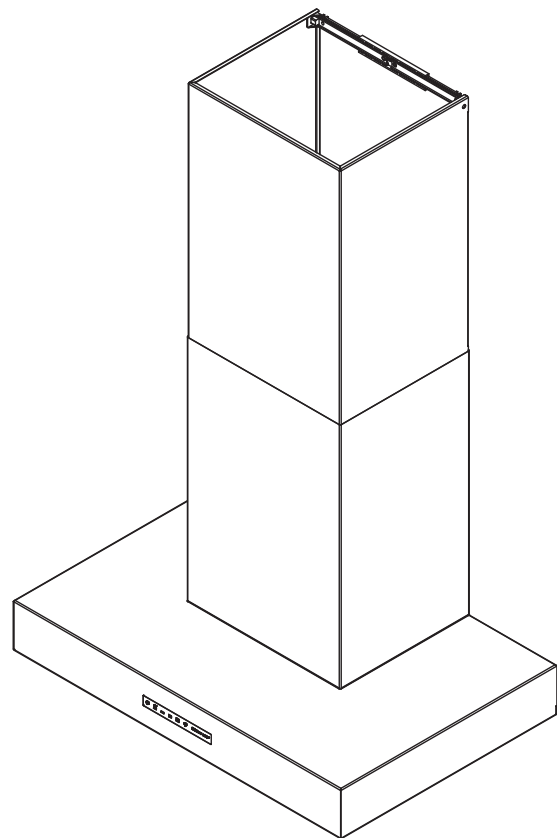
MANUAL DE INSTRUCCIONES ^{ES}

LIBRETTO ISTRUZIONI ^{IT}

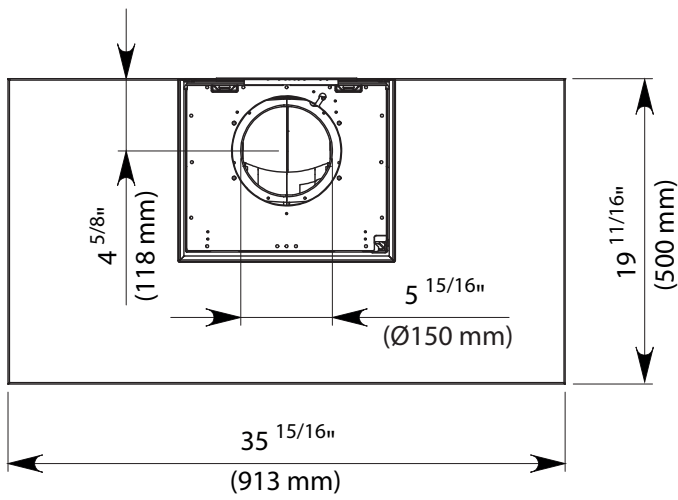
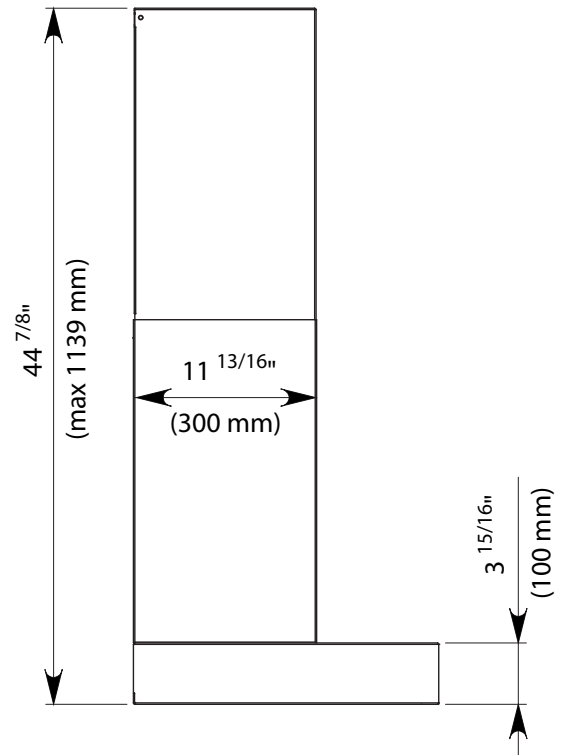
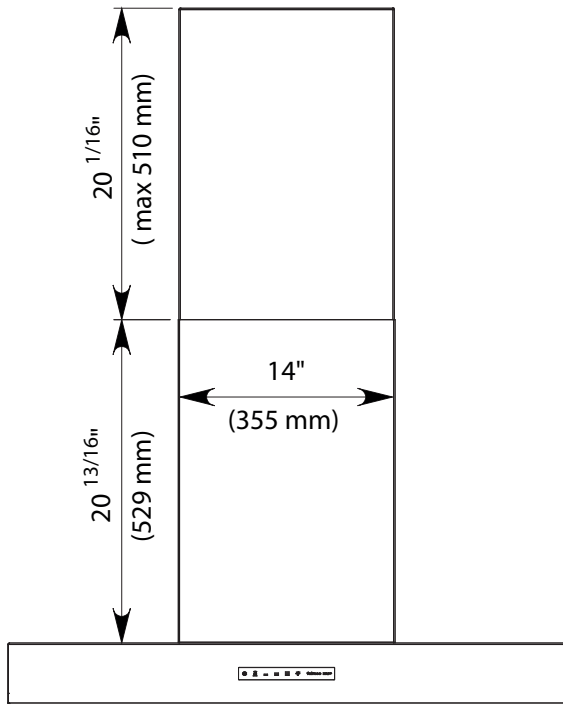
LINE PRO NRS 30"



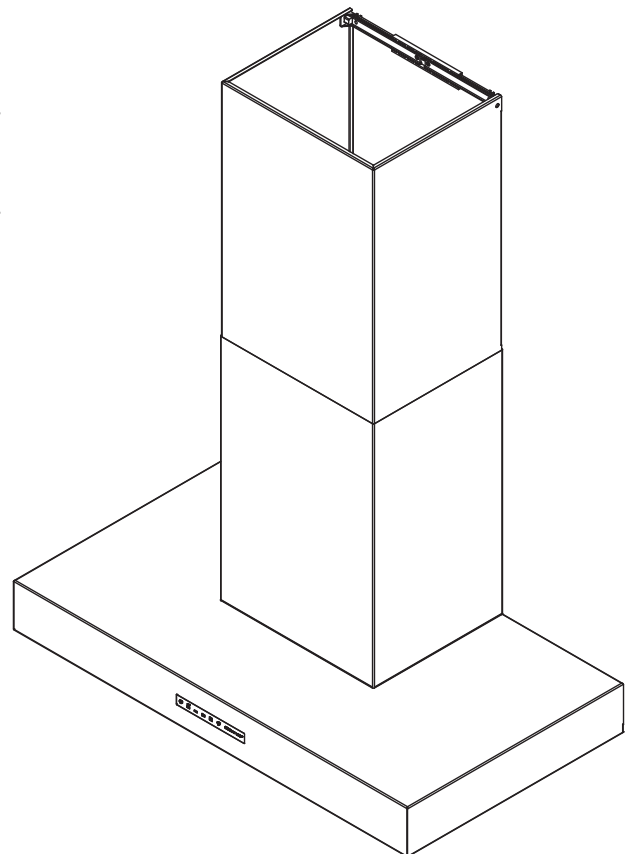
 75lb - 34 kg



LINE PRO NRS 36"



 83,6lb - 37,9 kg



EN - Installation measurements

Recommended mounting height from cooking surface to hood bottom is indicated by "A" in the drawing below. It is recommended to install the hood in this range to optimize performance. It is recommended to not exceed 35" (890mm) for dimension "A" as hoods mounted above this may be difficult to reach for average height users and performance and efficiency will degrade.

Hoods mounted below the lower measurement in the "A" recommendation could result in damage due to heat and present a fire hazard and would avoid any warranty claims attributable to the lower mounting position.

If available, also refer to the cooking appliance manufacturer's height clearance recommendations and adhere to national and local building and fire codes which supersede any recommendations stipulated herein.

FR - Mesures pour installation

La hauteur de montage recommandée entre la surface de cuisson et la partie inférieure de la hotte est indiquée par le « A » dans le dessin ci-dessous.

Il est recommandé d'installer la hotte dans cette plage pour optimiser sa performance. Il est recommandé de ne pas dépasser les 890 mm (35 po) pour la dimension « A », car les hottes montées à une distance au-dessus peuvent être difficiles à atteindre pour les utilisateurs de hauteur moyenne, et cela diminuera leur performance et efficacité.

Les hottes montées en-dessous de la mesure inférieure de la recommandation « A » pourraient s'abîmer par la chaleur et présenter un risque d'incendie, ce qui annulerait toute réclamation de garantie attribuable à la position de montage inférieure.

Le cas échéant, reportez-vous également aux recommandations du fabricant de l'appareil de cuisson en ce qui a trait au dégagement en hauteur et respectez les codes du bâtiment et de prévention des incendies nationaux et locaux qui remplacent toutes les recommandations stipulées dans le présent document.

ES - Medidas instalación

La altura de montaje recomendada desde la superficie de cocción hasta el fondo de la campana se indica con una "A" en el dibujo siguiente.

Se recomienda instalar la campana en este rango para optimizar el rendimiento. Se recomienda no exceder 35" (890mm) para la dimensión "A" ya que las campanas montadas por encima de ésta pueden ser difíciles de alcanzar para los usuarios de altura media y el rendimiento y la eficiencia se degradarán.

Las campanas montadas por debajo de la medida inferior de la recomendación "A" podrían resultar dañadas por el calor y presentar un riesgo de incendio, y evitarían cualquier reclamación de garantía atribuible a la posición de montaje inferior.

Si está disponible, consulte también las recomendaciones de altura del fabricante del equipo de cocina y respete los códigos de construcción y contra incendios, nacionales y locales, que sustituyen cualquier recomendación estipulada en el presente documento.

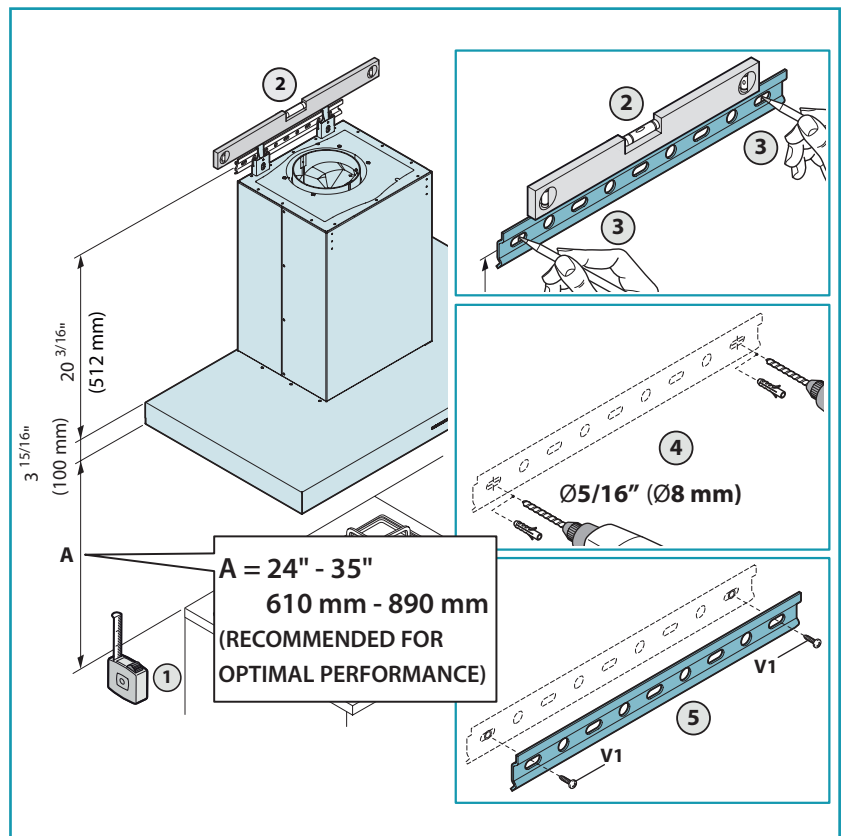
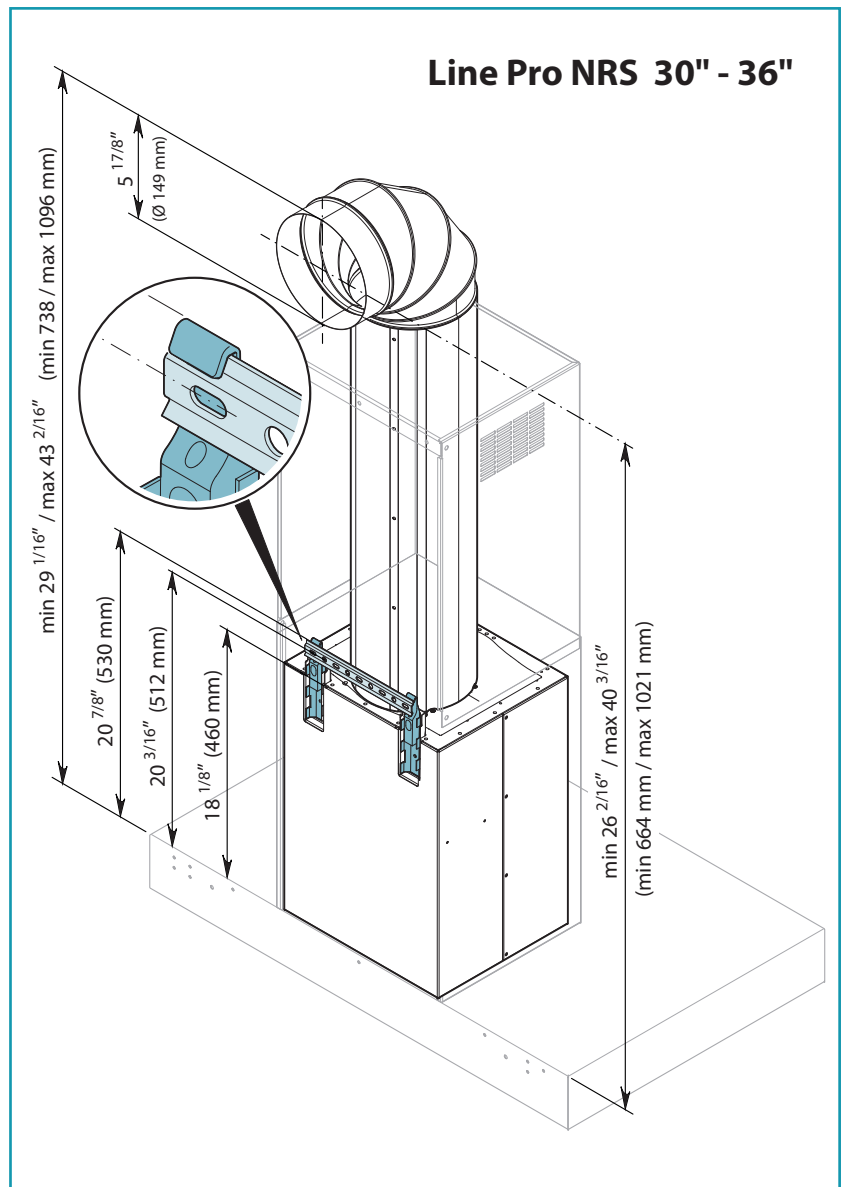
IT - Misure per l'installazione

L'altezza di montaggio consigliata tra il piano cottura e la parte inferiore della cappa è indicata dalla lettera "A" nella figura sottostante.

Per ottenere prestazioni ottimali, si raccomanda di installare la cappa entro i limiti, massimo e minimo, mostrati nella figura. È consigliabile che le dimensioni di "A" non superino i 35" (890mm) in quanto le cappe montate più in alto potrebbero presentare un livello ridotto di rendimento ed efficienza, oltre a risultare difficili da raggiungere da parte degli utenti di altezza media.

Al contrario, le cappe montate al di sotto dell'altezza minima consigliata in "A" potrebbero danneggiarsi per il calore proveniente dal piano cottura e presentare un rischio di incendio. Si ricorda che la garanzia non risponde di eventuali danni derivanti da un montaggio in posizione troppo bassa.

Se disponibile, fare riferimento anche all'altezza libera raccomandata dal produttore del piano cottura. In ogni caso, è sempre necessario rispettare le norme edilizie e antincendio in vigore, a livello sia nazionale sia locale, le quali prevalgono su qualsiasi raccomandazione contenuta nel presente.

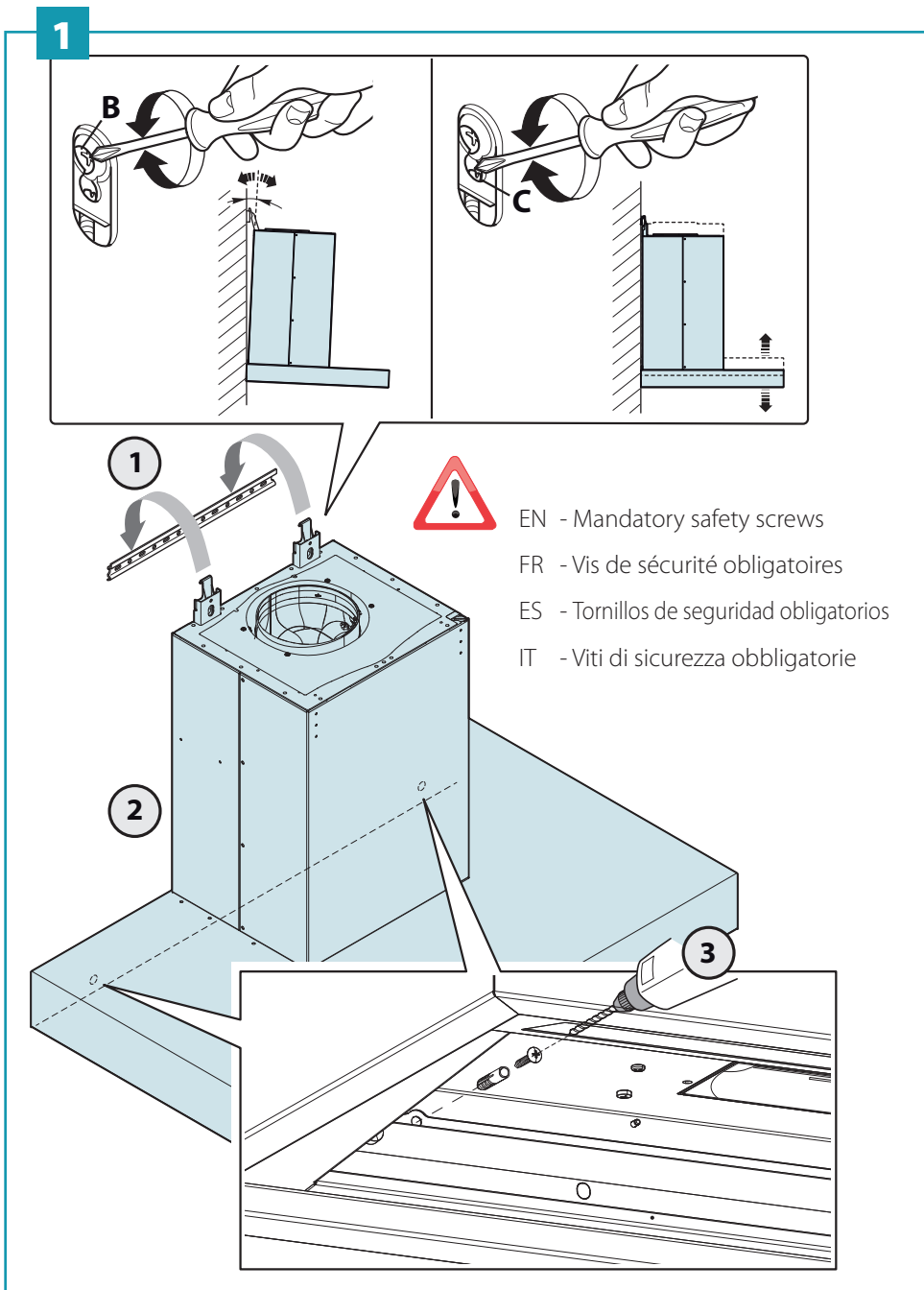


EN - Hood fastening (1),
check valve installation (2).

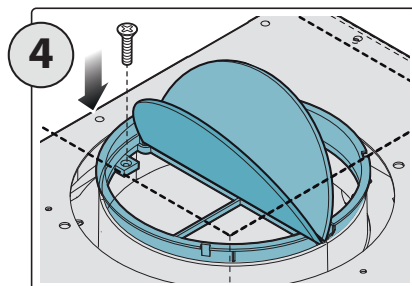
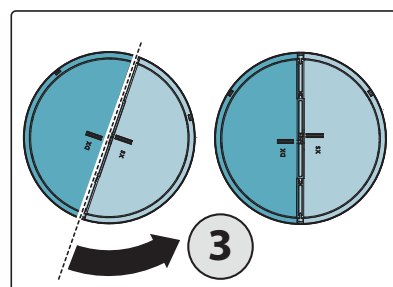
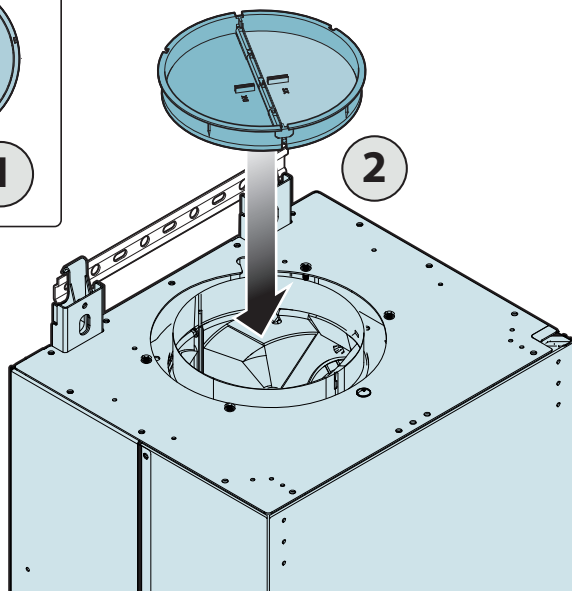
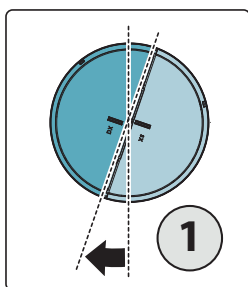
FR - Fixation de la hotte (1),
installation du clapet anti-retour (2).

ES - Fijación de la campana (1),
instalación de la válvula antirretorno (2).

IT - Fissaggio cappa (1),
installazione valvola di non ritorno (2).



2



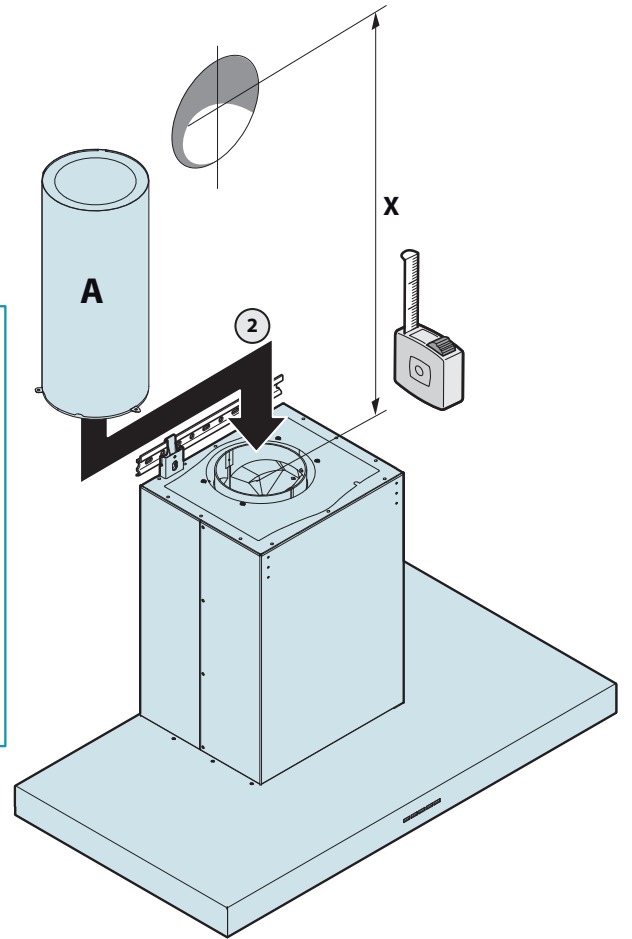
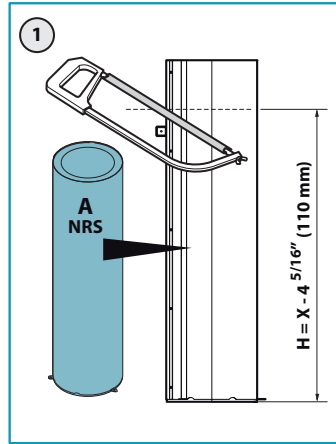
EN - Fastening of NRS

FR - Fixation du tube NRS

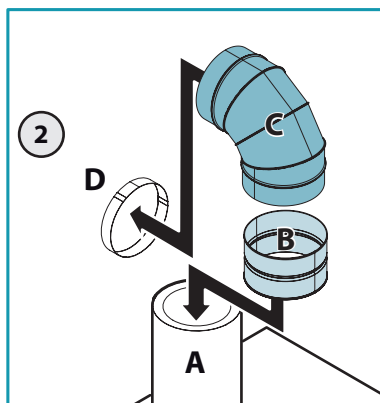
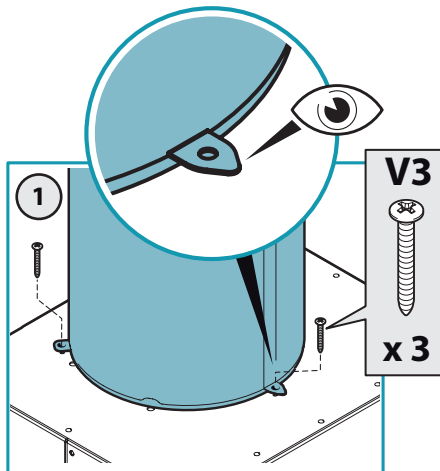
ES - Fijación del tubo NRS

IT - Installazione tubo NRS

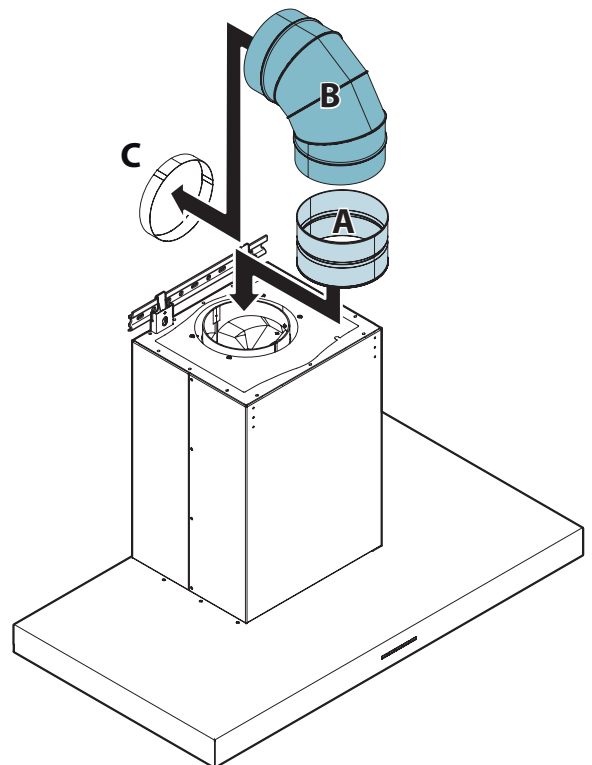
3



4a



4b

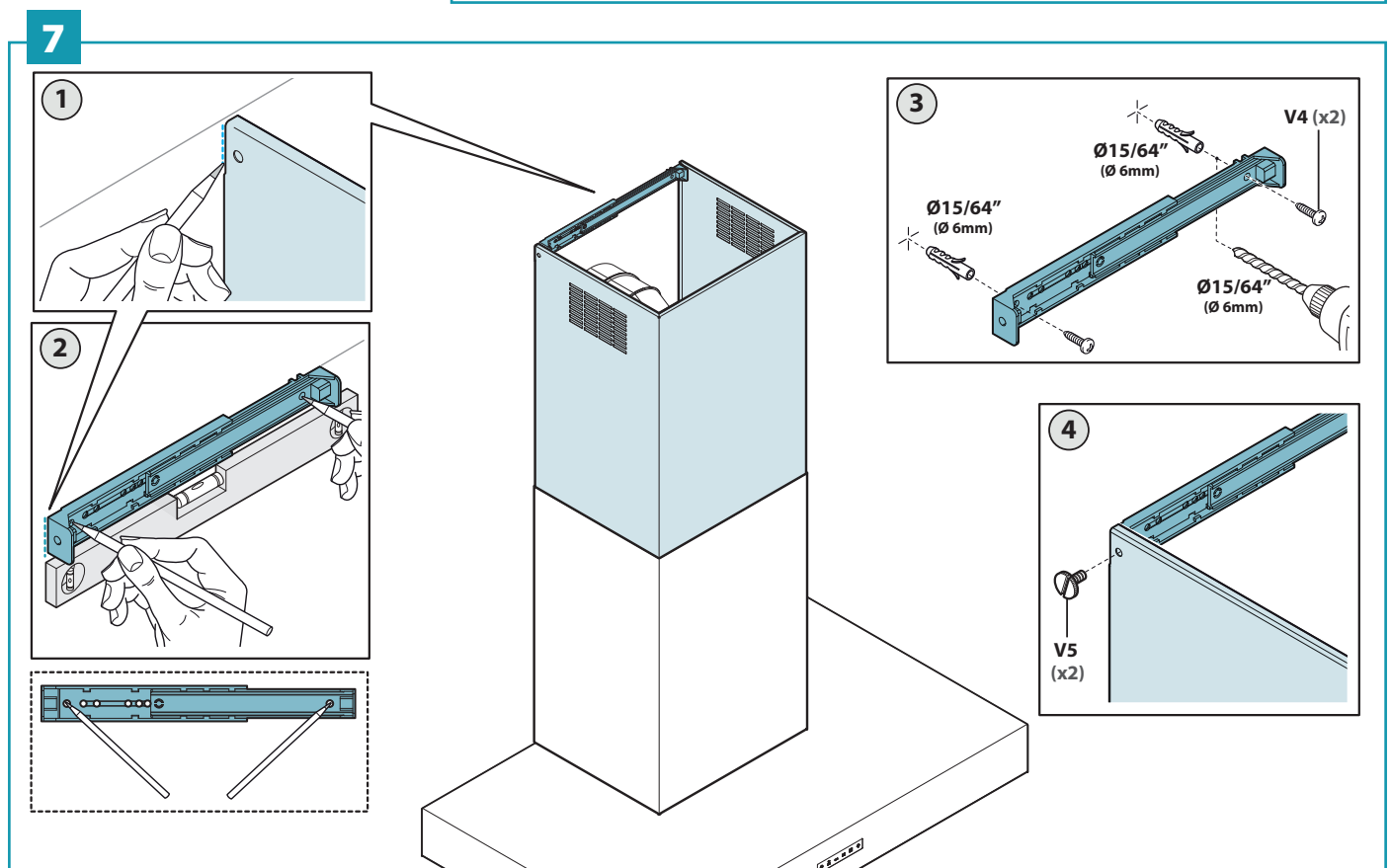
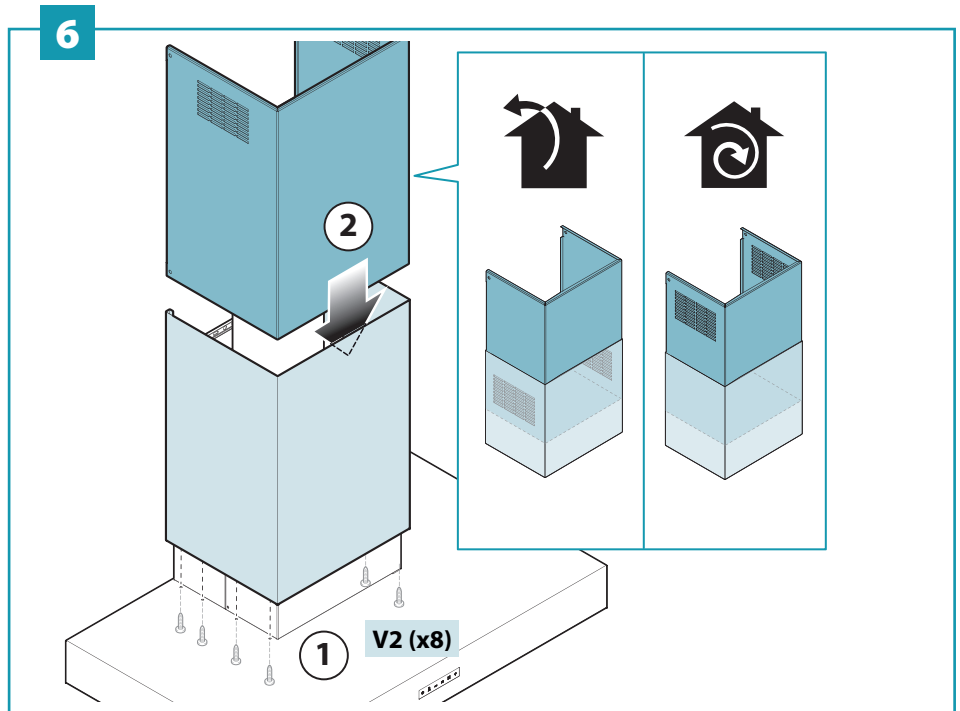
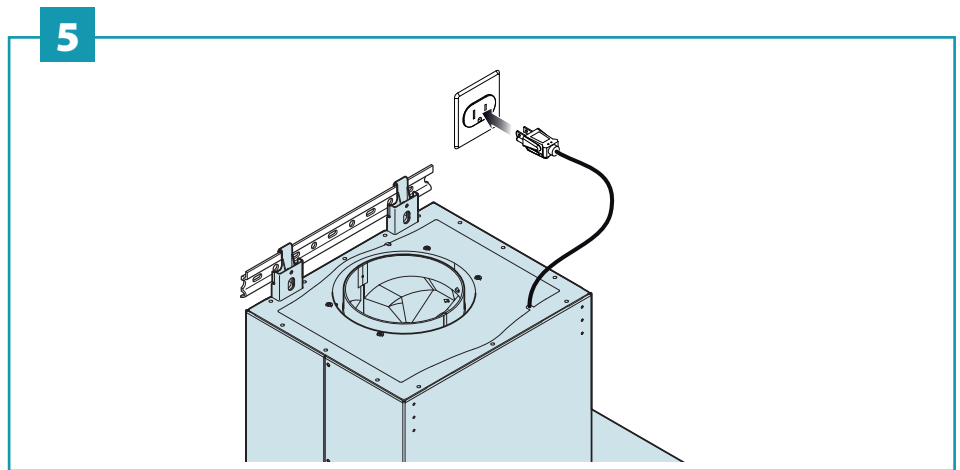


EN - Electrical connection (5).
- Flue assembly (6+7).

FR - Branchement électrique (5).
- Montage de la cheminée (6+7).

ES - Conexión eléctrica (5).
- Montaje de la chimenea (6+7).

IT - Collegamento elettrico (5).
- Assemblaggio camino (6+7).





LINE PRO NRS
OPTIONAL
KACL.961

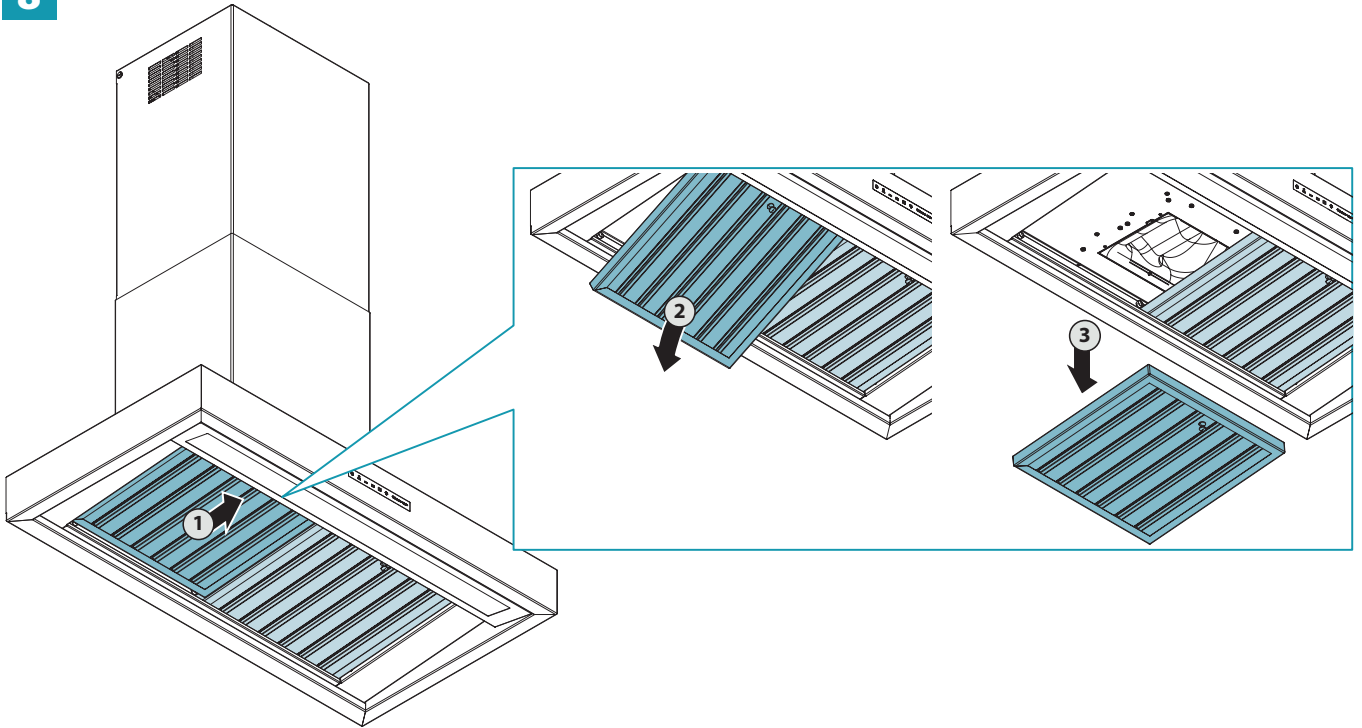
EN - Installing the carbon-zeolite filter
(optional)

FR - Installation du filtre charbon-zeolite
(en option)

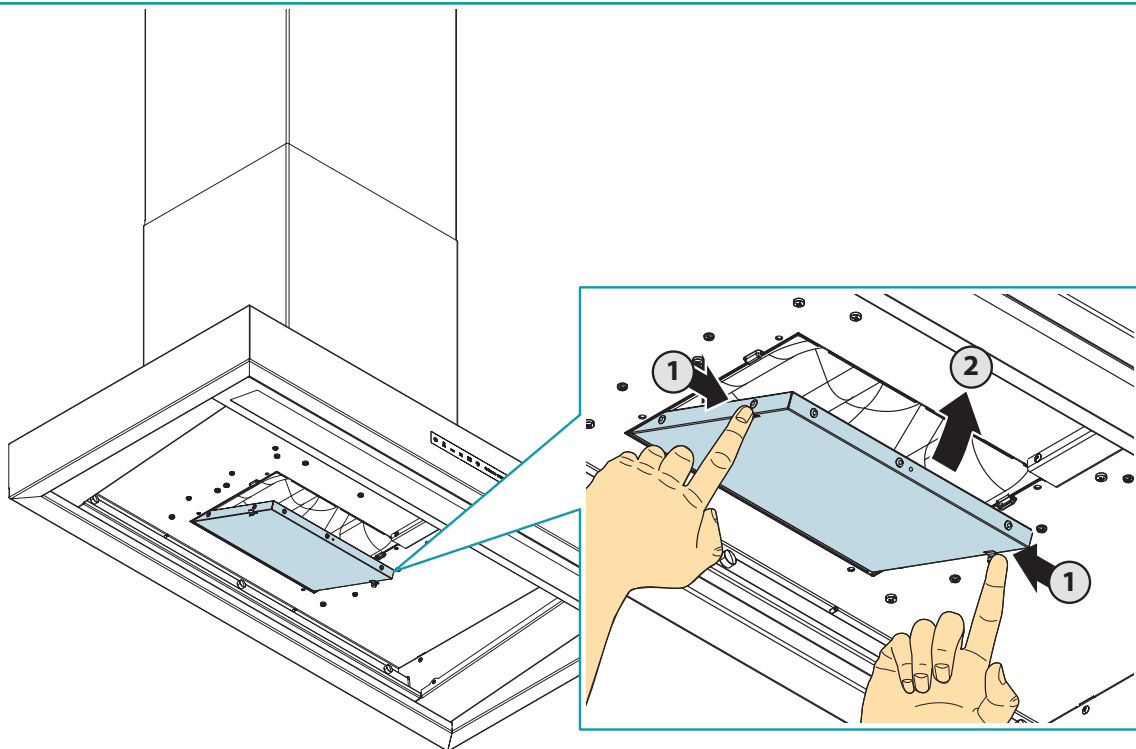
ES - Instalacion de filtro de carbon-zeolita
(opcional)

IT - Installazione filtro carbone-zeolite
(opzionale)

8



9



SAFETY INSTRUCTIONS AND WARNINGS

READ AND SAVE THESE INSTRUCTIONS



Installation operations are to be carried out by skilled and qualified installers in accordance with the instructions in this booklet and in compliance with the regulations in force.

DO NOT use the hood if the power supply cable or other components are damaged: disconnect the hood from the electrical power supply and contact the Dealer or an authorised Servicing Dealer for repairs.

Do not modify the electrical, mechanical or functional structure of the equipment.

Do not personally try to carry out repairs or replacements. Interventions carried out by incompetent and unauthorised persons can cause serious damage to the unit or physical and personal harm, not covered by the Manufacturer's warranty.

WARNING: TO REDUCE THE RISK OF FIRE, ELECTRIC SHOCK, OR INJURY TO PERSONS,

OBSERVE THE FOLLOWING:

a) Use this unit only in the manner intended by the manufacturer. If you have questions, contact the manufacturer.

b) Before servicing or cleaning unit, switch power off at service panel and lock the service disconnecting means to prevent power from being switched on accidentally.

When the service disconnecting means cannot be locked, securely fasten a prominent warning device, such as a tag, to the service panel.

CAUTION: For General Ventilating Use Only. Do Not Use To Exhaust Hazardous Or Explosive Materials And Vapors.

WARNINGS FOR THE INSTALLER

TECHNICAL SAFETY



Before installing the hood, check the integrity and function of each part. Should anomalies be noted, do not proceed with installation and contact the Dealer.

Do NOT install the hood if an aesthetic (or cosmetic) defect has been detected. Put it back into its original package and contact the dealer.

No claim can be made for aesthetic (or cosmetic) defects once it has been installed.

During installation, always use personal protective equipment (e.g.: Safety shoes) and adopt prudent and proper conduct.

The installation kit (screws and plugs) supplied with the hood is only to be used on masonry walls: in case of installation on walls of a different material, assess other installation options keeping in mind the type of wall surface and the weight of the hood (indicated on page 2).

Keep in mind that installations with different types of fastening systems from those supplied, or which are not compliant, can cause electrical and mechanical seal danger.

Do not install the hood outdoors and do not expose it to atmospheric elements (rain, wind, etc.).

All set screws must be checked, and retightened where necessary, before installation.

CAUTION: To Reduce The Risk Of Fire And Electric Shock, Install This Rangehood Only With Remote Blower Or Integral Blowers Manufactured by FALMEC S.p.A. Models "Remote in-roof Blower".

ELECTRICAL SAFETY

The installation has to be in accordance with the National Electrical Code, ANSI/NFPA 70 and local codes. Making sure the power is off before attempting installation.



The electrical system to which the hood is to be connected must be in accordance with local standards and supplied with earthed connection in compliance with safety regulations in the country of use. It must also comply with European standards regarding radio antistatic properties.

WARNING: GROUNDING INSTRUCTIONS

This appliance must be grounded. In the event of an electrical short circuit, grounding reduces the risk of electric shock by providing an escape wire for the electric current. This appliance is equipped with a cord having a grounding wire with a grounding plug. The plug must be plugged into an outlet that is properly installed and grounded.

WARNING: Improper grounding can result in a risk of electric shock. Consult a qualified electrician if the grounding instructions are not completely understood, or if doubt exists as to whether the appliance is properly grounded.

Do not use an extension cord. If the power supply cord is too short, have a qualified electrician install an outlet near the appliance.

Before installing the hood, check that the electrical mains power supply corresponds with what is reported on the identification plate located inside the hood.

The socket used to connect the installed equipment to the electrical power supply must be within reach: otherwise, install a mains switch to disconnect the hood when required.

Any changes to the electrical system must be carried out by a qualified electrician.

The maximum length of the flue fastening screws (supplied by the manufacturer) must be 1/2" (13 mm). Use of non-compliant screws with these instructions can lead to danger of an electrical nature.

Do not try to solve the problem yourself in the event of equipment malfunction, but contact the Dealer or an authorised Servicing Department for repairs.



When installing the hood, disconnect the equipment by removing the plug or switching off the main switch.

WARNING: To Reduce The Risk Of Fire Or Electric Shock, Do Not Use This Fan With Any Solid-State Speed Control Device

WARNING: NOT SUITABLE FOR USE WITH SOLID-STATE SPEED CONTROLS

FUMES DISCHARGE SAFETY



Do no connect the equipment to discharge pipes of fumes produced from combustion (for example boilers, fireplaces, etc.).

Before installing the hood, ensure that all standards in force regarding discharge of air out of the room have been complied with.

To reduce risk of fire and to properly exhaust air, be sure to duct air outside – Do not vent exhaust air into spaces within walls or ceilings or into attics, crawl spaces, or garages.

WARNING: TO REDUCE THE RISK OF FIRE, USE ONLY METAL DUCTWORK.

USER WARNINGS



These warnings have been drawn up for your personal safety and those of others. You are therefore kindly asked to read the booklet carefully in its entirety before using the or cleaning the equipment. The Manufacturer declines all responsibility for any damage caused directly, or indirectly, to per-

sons, things and pets as a consequence of failing to comply with the safety warnings indicated in this booklet.

It is imperative that this instructions booklet is kept together with the equipment for any future consultation.

If the equipment is sold or transferred to another person, make sure that the booklet is also supplied so that the new user can be made aware of the hood's operation and relative warnings.

After the stainless steel hood has been installed, it will need to be cleaned to remove any residues remaining from the protection adhesive as well as any grease and oil stains which, if not removed, can cause irreversible damage to the hood surface. To properly clean the unit, the manufacturer recommends using the supplied moist wipes, which are also available sold separately.

Insist on original spare parts.

State of California Proposition 65 Warning (US only)

WARNING

This product contains chemicals known to the State of California to cause cancer and birth defects or other reproductive harm.

For more information go to www.P65Warnings.ca.gov

INTENDED USE

The equipment is solely intended to be used to extract fumes generated from cooking food in non-professional domestic kitchens: any other use is improper. Improper use can cause damage to persons, things, pets and exempts the Manufacturer from any liability.

The equipment can be used by children over the age of 8 and by persons with reduced physical, sensory and mental abilities, or with no experience or knowledge, as long as they do so under supervision or after having received relative instructions regarding safe use of the equipment and understanding of the dangers connected to it.

Children are not to play with the equipment. Cleaning and maintenance by the user must not be carried out by children without supervision.

USE AND CLEANING WARNINGS

WARNING: TO REDUCE THE RISK OF A RANGE TOP GREASE FIRE:

- a) Never leave surface units unattended at high settings. Boilovers cause smoking and greasy spillovers that may ignite. Heat oils slowly on low or medium settings.
- b) Always turn hood ON when cooking at high heat or when flambeing food (i.e. Crepes Suzette, Cherries Jubilee, Peppercorn Beef Flambe').
- c) Clean ventilating fans frequently. Grease should not be allowed to accumulate on fan or filter.
- d) Use proper pan size. Always use cookware appropriate for the size of the surface element.

WARNING: TO REDUCE THE RISK OF INJURY TO PERSONS IN THE EVENT OF A RANGE TOP GREASE FIRE, OBSERVE THE FOLLOWING^a:

- a) SMOTHER FLAMES with a close-fitting lid, cookie sheet, or metal tray, then turn off the burner. BE CAREFUL TO PREVENT BURNS. If the flames do not go out immediately, EVACUATE AND CALL THE FIRE DEPARTMENT.
 - b) NEVER PICK UP A FLAMING PAN – You may be burned.
 - c) DO NOT USE WATER, including wet dishcloths or towels – a violent steam explosion will result.
 - d) Use an extinguisher ONLY if:
 - 1) You know you have a Class ABC extinguisher, and you already know how to operate it.
 - 2) The fire is small and contained in the area where it started.
 - 3) The fire department is being called.
 - 4) You can fight the fire with your back to an exit.
- ^a Based on "Kitchen Firesafety Tips" published by NFPA.



Before cleaning or carrying out maintenance operations, disconnect the equipment by removing the plug or switching off the main switch.

Do not use the hood with wet hands or bare feet. Always check that all electrical parts (lights, extractor fan) are off when the equipment is not being used. The maximum overall weight of any objects placed or hung (if applicable) on the hood must not exceed 31b 5 oz (1.5 Kg). Always supervise the cooking process during the use of deep-fryers: Overheated oil can catch fire. Do not leave open, unattended flames under the hood. Do not prepare food over an open flame under the hood. Never use the hood without the metal anti-grease filters: in this case, grease and dirt will deposit in the equipment and compromise its operation. Accessible parts of the hood can be hot when used at

the same time as the cooking appliances.

Do not carry out any cleaning operations when parts of the hood are still hot.

There can be a risk of fire if cleaning is not carried out according to the instructions and products indicated in this booklet.

Disconnect the main switch when the equipment is not used for long periods of time.



If other appliances that use gas or other fuels are being used at the same time (boiler, stove, fireplaces, etc.), make sure the room where the fumes are discharged is well-ventilated, in compliance with the local regulations.

INSTALLATION

only intended for qualified personnel



Before installing the hood, carefully read the chapter 'SAFETY INSTRUCTIONS AND WARNINGS'.

TECHNICAL FEATURES

The technical specifications are exhibited on the labels located inside the hood.

POSITIONING

The minimum distance between the highest part of the cooking equipment and the lowest part of the hood is indicated in the installation instructions.

Do not install the hood outdoors and do not expose it to outdoor environment (rain, wind, etc.).

ELECTRICAL CONNECTION

(only intended for qualified personnel)



Disconnect the equipment from electrical mains power supply before carrying out any operations on the hood. Ensure that the wires inside the hood are not disconnected or cut: in the event of damage, contact your nearest Servicing Department. Refer to qualified personnel for electrical connections. Connection must be carried out in compliance with the provisions of law in force.

Before connecting the hood to the electrical mains power supply, check that:

- voltage supply corresponds with what is reported on the data plate located inside the hood;
- the electrical system is compliant and can withstand the load (see the technical specifications located inside the hood);
- the power supply plug and cable do not come into contact with temperatures exceeding 158°F (70 °C);
- the power supply system is effectively and properly connected to earth in compliance with regulations in force;
- the socket used to connect the hood is within reach.

In case of:

- devices fitted with cables without a plug: the type of plug to use is a "standardised" one. The wires must be connected as follows: yellow-green for earthing, blue for neutral and brown for the phase. The plug must be connected to an adequate safety socket.
- fixed equipment not provided with a power supply cable and plug, or any other device that ensures disconnection from the electrical mains, with an opening gap of the contacts that enables total disconnection in overvoltage category III conditions.
Said disconnection devices must be provided in the mains power supply in compliance with installation regulations.

The yellow/green earth cable must not be cut off by the switch.

The Manufacturer declines all responsibility for failure to comply with the safety regulations.

FUMES DISCHARGE

EXTERNAL EXHAUST HOOD (SUCTION)



In this version the fumes and vapours are discharged outside through the exhaust pipe. To this end, the hood outlet fitting must be connected via a pipe, to an external output.

The outlet pipe must have:

- a diameter not less than that of the hood fitting.
- a slight slope downwards (drop) in the horizontal sections to prevent condensation from flowing back into the motor.
- the minimum required number of bends.
- the minimum required length to avoid vibrations and reduce the suction performance of the hood.

You are required to insulate the pipes if it passes through cold environments. In the presence of motors with 500 CFM or higher, a check valve is present to prevent external air flowing back.

HOOD WITH INTERNAL RECIRCULATION (FILTERING) (OPTIONAL)



In this model, air passes through the carbon and zeolite filters (optional) to be purified and is then recycled into the environment. Ensure that the carbon filters are assembled into the hood, if not, install them as indicated in the assembly instructions.



In this version the check valve must not be assembled: remove it if it is on the air outlet fitting of the motor.

ASSEMBLY INSTRUCTIONS

only intended for personnel qualified



The hood can be installed in various configurations. The generic assembly steps apply to all installations; for each case, follow the specific steps provided for the required installation.

OPERATION

WHEN TO TURN ON THE HOOD?

Switch on the hood at least one minute before starting to cook to direct fumes and vapours towards the suction surface.

After cooking, leave the hood operating until complete extraction of all vapours and odours. By means of the Timer function, it is possible to set auto switch-off function which will allow the hood to turn off automatically after 15 minutes of operation.

WHICH SPEED IS TO BE SELECTED?

1st speed: maintains the circulation of clean air with low electricity consumption.

2nd speed: normal conditions of use.

3rd speed: presence of strong odours and vapours.

4th speed: rapid disposal of odours and vapours.











WHEN SHOULD THE FILTERS BE WASHED OR REPLACED?

The metal filters must be cleaned every 30 hours of operation.

For further details see the "MAINTENANCE" chap.

TOUCH PUSHBUTTON PANEL



	ON/OFF (Blue led steady on) Motor on/off and Speed 1
	ON/OFF (blue led flashing) If pressed for more than 3 seconds, it activates the 24h cycle (1h ON -> 3h OFF -> 1h ON) the function deactivates if: - The motor turns off (key ) - After 24h
	Speed 2 activation
	Speed 3 activation
	Speed 4 activation for a few minutes only
	Light on/off
 	TIMER (LED flashing) Auto switch-off after 15 min. The function deactivates (LED off) if: - The motor turns off (key ) - The speed is changed.
	FILTER ALARM (LED steady on) Anti-grease filter maintenance after approximately 30 hours of operation. Press the meter for 3 seconds to reset.



If the pushbutton panel is completely inactive, before contacting the Technical assistance service, disconnect power temporarily to the appliance (about 5"), possibly by acting on the main switch, to restore normal operation.

If this measure has no effect, contact the Technical assistance service.

MAINTENANCE



Before cleaning or carrying out maintenance operations, disconnect the equipment by removing the plug or switching off the main switch.

Do not use detergents containing abrasive, acidic or corrosive substances or abrasive cloths.

Regular maintenance guarantees proper operation and performance over time. Special attention is to be paid to the **metal anti-grease filters**: frequent cleaning of the filters and their supports ensures that no flammable grease is accumulated.

CLEANING OF EXTERNAL SURFACES

You are advised to clean the external surfaces of the hood **at least once every 15 days** to prevent oily substances and grease from sticking to them. To clean the brushed stainless steel hood, the Manufacturer recommends using "Magic Steel" wipes.

Alternatively **and for all the other types of surfaces**, it can be cleaned using a damp cloth, slightly moistened with mild, liquid detergent or denatured alcohol. Complete cleaning by rinsing well and drying with soft cloths.



Do not use too much moisture or water around the push button control panel and lighting devices in order to prevent humidity from reaching electronic parts.

The glass panels can only be cleaned with specific, non-corrosive or non-abrasive detergents using a soft cloth.

The Manufacturer declines all responsibility for failure to comply with these instructions.

CLEANING OF INTERNAL SURFACES



Do not clean electrical parts, or parts related to the motor inside the hood, with liquids or solvents.

For the internal metal parts, see the previous paragraph.

ANTI-GREASE FILTERS

It is advised to **frequently** wash the metal filters (**at least once a month**) leaving them to soak in boiling water and cleaning solution for 1 hour, taking care not to bend them.

Do not use corrosive, acid or alkaline detergents.

Rinse them well and wait for them to be completely dry before reassembling them.

Washing in a dishwasher is permitted, however, it may cause the filter material to darken: to reduce the possibility of this problem from happening, use low-temperature washes 131°F / 55°C max.

To extract and insert the metal anti-grease filters see the assembly instructions.

CARBON AND ZEOLITE FILTERS (OPTIONAL) KACL.961

In normal use conditions, we recommend regenerating the zeolite-carbon filter every 18 months and replacing it after 3 years. Simply place it in a domestic oven at a temperature of 392°F (200°C) for approximately 1 hour to regenerate it.

Wait until the filter cools before reassembling it.

LIGHTING

The range hood is equipped with high efficiency, low consumption LED spotlights with an extremely long life-span under normal use conditions.

END OF USEFUL LIFE



The crossed-out trash or refuse bin symbol on the appliance means that **the product is WEEE**, i.e. "Waste electrical and electronic equipment", accordingly **it must not be disposed of with regular unsorted waste** (i.e. with "mixed household waste"), but it must be disposed of separately so that it can undergo specific processing for its re-use, or a specific treatment, to remove and safely dispose of any substances that may be harmful to the environment and remove the raw materials that can be recycled. Proper disposal of these products contributes to saving valuable resources and avoid potential negative effects on personal health and the environment, which may be caused by inappropriate disposal of waste.

You are kindly asked to contact your local authorities for further information regarding the designated waste collection points nearest to you. Penalties for improper disposal of such waste can be applied in compliance with national regulations.

INFORMATION ON DISPOSAL IN NON-EUROPEAN UNION COUNTRIES

The crossed-out trash or refuse bin symbol is only valid in the European Union: if you wish to dispose of this appliance in other countries, we suggest contacting your local authorities or dealer to find out what the correct method of disposal is.



WARNING!

The Manufacturer reserves the right to make changes to the equipment at any time and without prior notice. Printing, translation and reproduction, even partial, of this manual are bound by the Manufacturer's authorisation.

Technical information, graphic representations and specifications in this manual are for information purposes and cannot be divulged.

This manual is written in Italian. The Manufacturer is not responsible for any transcription or translation errors.

CONSIGNES DE SÉCURITÉ ET MISES EN GARDE

LIRE ET CONSERVER CES INSTRUCTIONS



Le travail d'installation doit être effectué par des installateurs compétents et qualifiés, conformément aux indications du présent manuel et en respectant les normes en vigueur.

Si le câble d'alimentation ou d'autres composants sont endommagés, la hotte NE doit PAS être utilisée : débrancher la hotte de l'alimentation électrique et contacter le revendeur ou un Centre d'Assistance technique agréé pour la réparation.

Ne pas modifier la structure électrique, mécanique et fonctionnelle de l'appareil.

Ne pas tenter d'effectuer soi-même des réparations ou des remplacements : les interventions effectuées par des personnes non compétentes et non qualifiées peuvent provoquer des dommages, éventuellement très graves, à des choses et/ou à des personnes, non couverts par la garantie du Fabricant.

AVERTISSEMENT : AFIN DE RÉDUIRE LE RISQUE D'INCENDIE, DE CHOC ÉLECTRIQUE OU DE BLESSURE, RESPECTER CE QUI SUIT :

a) N'utiliser cet appareil que de la manière prévue par le fabricant. Si vous avez des questions, contactez le fabricant.

b) Avant de procéder à l'entretien ou au nettoyage de l'appareil, couper l'alimentation sur le panneau de service et verrouiller le système de déconnexion du service pour éviter toute mise sous tension accidentelle.

Lorsqu'il n'est pas possible de verrouiller le système de déconnexion du service, fixer solidement un dispositif d'avertissement bien visible, comme par exemple une étiquette, sur le panneau de service.

ATTENTION : Pour un usage général de ventilation uniquement. Ne pas utiliser pour évacuer des matières et des vapeurs dangereuses ou explosives.

MISES EN GARDE POUR L'INSTALLATEUR

SÉCURITÉ TECHNIQUE



Avant d'installer la hotte, contrôler l'intégrité et la fonctionnalité de chaque partie : en cas de constatation d'anomalies, ne pas procéder à l'installation et contacter le Revendeur.

En cas de constatation d'un défaut esthétique, la hotte NE doit PAS être installée ; la remettre dans son emballage d'origine et contacter le Revendeur.

Après son installation, aucune réclamation ne sera acceptée pour des défauts esthétiques.

Pendant l'installation, toujours utiliser des équipements de protection individuelle (ex. : des chaussures de sécurité) et adopter un comportement prudent et correct.

Le kit de fixation (vis et chevilles) fourni avec la hotte est utilisable uniquement sur des murs en maçonnerie : s'il faut installer la hotte sur des murs de matériau différent, évaluer d'autres systèmes de fixation en tenant compte de la résistance du mur et du poids de la hotte (indiqué à la page 2). Tenir compte du fait que l'installation avec des systèmes de fixation différents de ceux fournis ou non conformes peut comporter des risques de nature électrique et de tenue mécanique. Ne pas installer la hotte à l'extérieur et ne pas l'exposer à des agents atmosphériques (pluie, vent, etc.).

Toutes les vis de réglage doivent être vérifiées, et resserrées si nécessaire, avant l'installation.

ATTENTION : Afin de réduire les risques d'incendie et de chocs électriques, installer cette hotte de cuisine uniquement avec un ventilateur à distance ou des ventilateurs intégrés fabriqués par FALMEC S.p.A. Modèles « Ventilateur de toit à distance ».

SÉCURITÉ ÉLECTRIQUE

L'installation doit être conforme au Code national de l'électricité, ANSI/NFPA 70 et aux codes locaux. Assurez-vous que l'alimentation soit coupée avant de procéder à l'installation.



Le circuit électrique, auquel est reliée la hotte, doit être aux normes et muni d'un raccordement à la terre, conformément aux normes de sécurité du pays d'utilisation ; il doit en outre être conforme aux normes européennes sur l'antiparasite radio.

AVERTISSEMENT : INSTRUCTIONS DE MISE À LA TERRE

Cet appareil doit être mis à la terre. Dans le cas d'un court-circuit électrique, la mise à la terre réduit le risque de choc électrique en fournissant un fil d'évacuation pour le courant électrique.

Cet appareil est équipé d'un cordon comportant un fil de mise à la terre avec une fiche de mise à la terre.

La fiche doit être branchée dans une prise de courant correctement installée et mise à la terre.

AVERTISSEMENT : Une mise à la terre incorrecte peut entraîner un risque de choc électrique. Consulter un électricien qualifié si les instructions

de mise à la terre ne sont pas entièrement comprises, ou en cas de doute sur la mise à la terre correcte de l'appareil.

Ne pas utiliser pas de rallonge. Si le cordon d'alimentation est trop court, demander à un électricien qualifié d'installer une prise de courant à proximité de l'appareil.

Avant d'installer la hotte, s'assurer que la tension du secteur correspond à celle reportée sur la plaque qui se trouve à l'intérieur de la hotte.

La prise utilisée pour le branchement électrique doit être facilement accessible avec l'appareil installé : si cela n'était pas possible, prévoir un interrupteur général pour déconnecter la hotte en cas de besoin.

Toute modification de l'installation électrique devra être uniquement effectuée par un électricien qualifié.

La longueur maximum de la vis de fixation de la cheminée (fournie par le fabricant) est de 1/2" (13 mm). L'utilisation de vis non conformes avec les présentes instructions peut comporter des risques de nature électrique.

En cas de dysfonctionnements de l'appareil, ne pas tenter de résoudre personnellement le problème, mais contacter le revendeur ou un Centre d'Assistance agréé pour la réparation.



Pendant l'installation de la hotte, débrancher l'appareil en retirant la prise ou en agissant sur l'interrupteur général.

AVERTISSEMENT : Afin de réduire le risque d'incendie ou de choc électrique, ne pas utiliser ce ventilateur avec tout régulateur de vitesse à semi-conducteur

AVERTISSEMENT: NE CONVIENT PAS À DES RÉGULATEURS DE VITESSE À SEMICONDUCTEURS.

SÉCURITÉ ÉVACUATION DES FUMÉES



Ne pas raccorder l'appareil aux conduits d'évacuation des fumées produites par la combustion (par ex. chaudières, cheminées, etc.)

Avant l'installation de la hotte, s'assurer que toutes les normes en vigueur sur l'évacuation de l'air à l'extérieur de la pièce sont respectées.

Afin de réduire le risque d'incendie et d'évacuer correctement l'air, assurez-vous de faire circuler l'air à l'extérieur – Ne pas faire entrer l'air évacué dans des espaces clos entre des murs, des plafonds ou dans des greniers, des vides sanitaires ou des garages.

AVERTISSEMENT : AFIN DE RÉDUIRE LE RISQUE D'INCENDIE, UTILISER UNIQUEMENT DES CONDUITS MÉTALLIQUES.

MISES EN GARDE POUR L'UTILISATEUR



Ces mises en garde ont été rédigées pour votre sécurité et pour celle d'autrui, nous vous prions donc de lire attentivement toutes les parties de ce manuel avant d'utiliser l'appareil ou de le nettoyer.

Le fabricant décline toute responsabilité pour d'éventuels dommages, directs ou indirects, pouvant être causés aux personnes, aux choses et aux animaux domestiques, suite au non-respect des mises en garde de sécurité indiquées dans ce manuel.

Il est très important que ce manuel d'instructions soit conservé avec l'appareil pour toute consultation future.

Si l'appareil devait être vendu ou transféré à une autre personne, s'assurer que le manuel soit remis avec celui-ci, de manière à ce que le nouvel utilisateur puisse connaître le fonctionnement de la hotte et des mises en garde relatives.

Après l'installation des hottes en acier inox, il est nécessaire d'effectuer le nettoyage de celles-ci pour retirer les résidus de colle de la protection et les taches éventuelles de graisse et d'huile qui, si on ne les enlève pas, peuvent être cause de détérioration irréversible de la surface de la hotte. Pour cette opération, le fabricant conseille d'utiliser les serviettes fournies, disponibles même à l'achat.

Exiger des pièces de rechange originales.

Avertissement de la proposition 65 de l'État de Californie (US seulement)

ATTENTION

Ce produit contient des produits chimiques connus de l'État de Californie pour causer le cancer et des malformations congénitales ou d'autres problèmes de reproduction.

Pour plus d'informations, visitez www.P65Warnings.ca.gov

DESTINATION D'UTILISATION

L'appareil est destiné, seulement et exclusivement, pour l'aspiration de fumées générées par la cuisson d'aliments en milieu domestique, non professionnel : toute autre utilisation différente de celle-ci est impropre et peut provoquer des dommages à des personnes, choses et animaux domestiques, et dégage le Fabricant de toute responsabilité.

L'appareil peut être utilisé par des enfants de plus de 8 ans et des personnes ayant des capacités physiques, sensorielles ou mentales réduites, ou dépour-

vues d'expérience ou de connaissances nécessaires, pourvu qu'ils soient sous surveillance ou bien après qu'ils aient reçu les instructions relatives à une utilisation sûre de l'appareil et qu'ils aient compris les dangers correspondants.

Les enfants ne doivent pas jouer avec l'appareil. Le nettoyage et la maintenance destinés à être effectués par l'utilisateur ne doivent pas être effectués par des enfants sans surveillance.

MISES EN GARDE POUR L'UTILISATION ET LE NETTOYAGE

AVERTISSEMENT : AFIN DE RÉDUIRE LE RISQUE D'INCENDIE DE GRAISSE SUR UNE CUISINIÈRE :

a) Ne jamais laisser les unités de surface sans surveillance lorsqu'elles sont à haute température. Les débordements provoquent de la fumée et des débordements graisseux qui peuvent s'enflammer. Faire chauffer les huiles lentement à feu doux ou moyen.

b) Toujours mettre la hotte EN MARCHÉ lorsque vous cuisinez à haute température ou lorsque les aliments s'enflamment (par exemple pour les crêpes Suzette, les cerises Jubilé ou le steak au poivre flambé).

c) Nettoyer fréquemment les ventilateurs. Il ne faut pas laisser la graisse s'accumuler sur le ventilateur ou le filtre.

d) Utiliser une poêle de taille appropriée. Toujours utiliser des ustensiles de cuisine adaptés à la taille de la surface de travail.

AVERTISSEMENT : AFIN DE RÉDUIRE LE RISQUE DE BLESSURE EN CAS D'UN INCENDIE DE GRAISSE SUR UNE CUISINIÈRE, RESPECTER CE QUI SUIT^a:

a) ÉTOUFFER LES FLAMMES avec un couvercle bien ajusté, une plaque à biscuits ou un plateau métallique, puis éteindre le brûleur. **SOYEZ PRUDENT POUR ÉVITER LES BRÛLURES.** Si les flammes ne s'éteignent pas immédiatement, **ÉVACUER ET APPELER LES POMPIERS.**

b) NE JAMAIS SAISIR UNE POÊLE ENFLAMMÉE – Vous pourriez vous brûler.

c) NE PAS UTILISER D'EAU, y compris des torchons ou des serviettes mouillés – une violente explosion de vapeur en résulterait.

d) Utiliser un extincteur UNIQUEMENT si :

1) Vous savez que vous avez un extincteur de classe ABC et vous savez déjà comment l'utiliser.

2) Le feu est petit et contenu dans la zone où il a démarré.

3) Les pompiers ont été appelés.

4) Vous pouvez vous défendre contre le feu en tournant le dos à une sortie.

^a D'après le guide « Kitchen Firesafety Tips » publié par la NFPA.



Avant de procéder à toute opération de nettoyage ou d'entretien, désactiver l'appareil en enlevant la fiche ou en agissant sur l'interrupteur général.

Ne pas utiliser la hotte avec les mains mouillées ou les pieds nus.

Contrôler toujours que toutes les parties électriques (lumières, aspirateur) soient éteintes lorsque l'appareil n'est pas utilisé.

Le poids maximum total d'éventuels objets positionnées ou suspendus (où c'est prévu) sur la hotte ne doit pas dépasser 31b 5 oz (1.5 Kg).

Contrôler les friteuses pendant l'utilisation : l'huile surchauffée pourrait s'enflammer.

Ne pas allumer de flammes nues sous la hotte.

Ne pas cuisiner avec une flamme nue sous la hotte.

Ne jamais utiliser la hotte sans les filtres métalliques anti-graisse ; dans ce cas, la graisse et la saleté se déposeraient dans l'appareil et compromettrait son fonctionnement.

Des parties accessibles de la hotte peuvent être chaudes si elles sont utilisées avec des appareils de cuisson.

Ne pas effectuer d'opérations de nettoyage si des parties de la hotte sont encore chaudes.

Si le nettoyage n'est pas mené conformément aux modalités et avec les produits indiqués dans le présent manuel, un risque d'incendie est possible.

Couper l'interrupteur général si l'appareil n'est pas utilisé pendant de longues périodes.



En cas d'utilisation simultanée avec d'autres éléments (chaudières, poêles, cheminées, etc.) alimentés au gaz ou avec d'autres combustibles, pourvoir à une ventilation adéquate du local où s'effectue l'aspiration de la fumée, conformément aux normes en vigueur.

INSTALLATION

partie réservée uniquement à un personnel qualifié



Avant d'effectuer l'installation de la hotte, lire attentivement le chap. « CONSIGNES DE SÉCURITÉ ET MISES EN GARDE ».

CARACTÉRISTIQUES TECHNIQUES

Les données techniques de l'appareil sont reportées sur des étiquettes placées à l'intérieur de la hotte.

POSITIONNEMENT

La distance minimum entre la partie la plus haute de l'appareil de cuisson et la partie la plus basse de la hotte de cuisine est indiquée dans les instructions de montage.

Ne pas installer la hotte à l'extérieur et ne pas l'exposer à des agents atmosphériques (pluie, vent, etc.).

BRANCHEMENT ÉLECTRIQUE

(partie réservée uniquement à un personnel qualifié)



Avant d'effectuer toute opération sur la hotte, débrancher l'appareil du réseau électrique.

Veiller à ce que les fils électriques à l'intérieur de la hotte ne soient pas débranchés ou coupés :

dans le cas contraire, contacter le Centre d'Assistance le plus proche.

Pour le raccordement électrique contacter un personnel qualifié.

Le raccordement doit être effectué conformément aux dispositions de lois en vigueur.

Avant de raccorder la hotte au réseau électrique, contrôler que :

- la tension du secteur corresponde à celle reportée sur la plaque des données qui se trouve à l'intérieur de la hotte ;
- le circuit électrique soit aux normes et puisse supporter la charge de l'appareil (voir la plaque des caractéristiques techniques située à l'intérieur de la hotte) ;
- la fiche et le câble d'alimentation ne rentrent pas en contact avec des températures supérieures à 158°F (70 °C) ;
- l'installation d'alimentation soit munie d'un raccordement à la terre efficace et correct, conformément aux normes en vigueur ;
- la prise utilisée pour le branchement soit facilement accessible, une fois la hotte installée.

En cas d' :

- appareils équipés d'un câble sans fiche : la fiche à utiliser doit être du type « normalisé ». Les fils doivent être raccordés de la manière suivante : le fil jaune-vert doit pour la mise à la terre, le fil bleu pour le neutre et le fil marron pour la phase.

La fiche doit être raccordée à une prise de sécurité adéquate.

- appareil fixe dépourvu de câble d'alimentation et de fiche ou d'un autre dispositif qui assure la déconnexion du réseau, avec une distance d'ouverture des contacts permettant la déconnexion complète dans les conditions de la catégorie de surtension III.

Ces dispositifs de déconnexion doivent être prévus dans le réseau d'alimentation conformément aux règles d'installation.

Le câble de terre jaune/vert ne doit pas être interrompu par l'interrupteur.

Le Fabricant décline toute responsabilité si les normes de sécurité ne sont pas respectées.

ÉVACUATION DES FUMÉES

HOTTE À ÉVACUATION EXTÉRIEURE (ASPIRANTE)



Dans cette version, les fumées et les vapeurs sont envoyées vers l'extérieur à travers un tuyau d'évacuation.

À cette fin, le raccord de sortie de la hotte doit être raccordé par un tuyau à une sortie extérieure.

Le tuyau de sortie doit avoir :

- un diamètre égal ou supérieur à celui du raccord de la hotte.
 - une légère inclinaison vers le bas (chute) dans les tronçons horizontaux pour éviter que la condensation ne reflue dans le moteur.
 - un nombre de coudes réduit au minimum (pas plus de 3).
 - une longueur de conduit réduite au minimum pour éviter toute vibration et réduire la capacité aspirante de la hotte.
- Il est nécessaire d'isoler la tuyauterie si elle passe par des endroits non chauffés.

Pour empêcher les retours d'air de l'extérieur, un clapet de non retour est installé en présence des moteurs avec 500 CFM ou supérieurs.

HOTTE À RECIRCULATION INTÉRIEURE (FILTRANTE) (EN OPTION)



Dans cette version, l'air passe à travers les filtres au charbon et zéolite pour être purifié et est recyclé dans la pièce.

Contrôler que les filtres au charbon soient montés sur la hotte, sinon les appliquer comme indiqué dans les instructions de montage.



Dans cette version, le clapet de non retour ne doit pas être monté : le retirer s'il est présent sur le raccord de sortie de d'air du moteur.

INSTRUCTIONS DE MONTAGE

(partie réservée uniquement à un personnel qualifié)



La hotte peut être installée selon diverses configurations. Les phases de montage génériques valent pour toutes les installations ; par contre, là où il est spécifié, suivre les phases correspondant à la configuration désirée.

FONCTIONNEMENT

QUAND FAUT-IL ALLUMER LA HOTTE ?

Allumer la hotte au moins une minute avant de commencer à cuisiner pour canaliser les fumées et les vapeurs vers la surface d'aspiration.

Au terme de la cuisson, laisser la hotte en fonction jusqu'à l'aspiration complète de toutes les vapeurs et odeurs : grâce à la fonction Timer, il est possible de programmer l'arrêt automatique de la hotte au bout de 15 minutes de fonctionnement.

QUELLE VITESSE CHOISIR ?

I vitesse : maintient l'air pur avec de faibles consommations d'électricité.

II vitesse : conditions normales d'utilisation.

III vitesse : présence de fortes odeurs et vapeurs.

IV vitesse : élimination rapide des odeurs et vapeurs.

QUAND LAVER OU CHANGER LES FILTRES ?

Les filtres métalliques doivent être lavés après 30 heures d'utilisation.

Pour toute information supplémentaire, voir le chap. « ENTRETIEN ».

TABLEAU TACTILE DES COMMANDES



	ON/OFF (LED fixe) Marche/arrêt moteur et Vit1.
	ON/OFF (LED clignotante) Appuyer pendant plus de 3 secondes pour activer le cycle 24h (1h ON -> 3h OFF -> 1h ON) La fonction se désactive si : - On éteint le moteur (touche). - Après 24h
	Activation Vitesse 2
	Activation Vitesse 3
	Activation Vitesse 4 seulement pendant quelques minutes, puis la vitesse 3 s'active.
	Allumage / extinction lumière
	TIMER (LED clignotante) Arrêt automatique après 15 min. La fonction se désactive (LED éteinte) si : - On éteint le moteur (touche). - On fait varier la vitesse.
	ALARME FILTRES (LED fixe avec moteur OFF) Entretien des filtres anti-graisse après environ 30 heures d'utilisation. Enfoncer pendant 3 secondes pour remettre le compteur à zéro.



Si le boîtier de commande est totalement inactif, avant de contacter le service d'Assistance technique, couper momentanément (environ 5") l'alimentation électrique de l'appareil électroménager, de préférence au moyen de l'interrupteur général, pour rétablir le fonctionnement normal. Si cette opération ne s'avère pas efficace, contacter le service d'Assistance technique.

ENTRETIEN



Avant de procéder à toute opération de nettoyage ou d'entretien, désactiver l'appareil en enlevant la fiche ou en agissant sur l'interrupteur général.

Il ne faut pas utiliser de détergents contenant des substances abrasives, acides ou corrosives, ni de chiffons ayant des surfaces rêches.

Un entretien constant garantit un bon fonctionnement et un bon rendement dans le temps.

Il faut accorder une attention particulière aux filtres **métalliques anti-graisse** : le nettoyage fréquent des filtres et de leurs supports fait en sorte que les graisses inflammables ne s'accumulent pas.

NETTOYAGE DES SURFACES EXTERNES

Il est conseillé de nettoyer les surfaces externes de la hotte **au moins tous les 15 jours** afin d'éviter que les substances huileuses ou grasses ne puissent les attaquer. Pour le nettoyage de la hotte, réalisée en acier inox brossé, le Fabricant conseille l'utilisation des serviettes « Magic Steel ».

Sinon, **pour tous les autres types de surface**, le nettoyage doit être effectué en utilisant un chiffon humide légèrement imprégné d'un détergent liquide neutre ou avec de l'alcool dénaturé.

Terminer le nettoyage en rinçant et en essuyant soigneusement avec des chiffons doux.



Ne pas utiliser trop d'eau à proximité du tableau de commande et des dispositifs d'éclairage pour éviter que l'humidité atteigne des parties électroniques.

Le nettoyage des panneaux en verre doit être effectué uniquement avec des détergents spécifiques non corrosifs ni abrasifs avec un chiffon doux.

Le Fabricant décline toute responsabilité si ces instructions ne sont pas respectées.

NETTOYAGE DES SURFACES INTERNES



Il est interdit de nettoyer les parties électriques ou celles relatives au moteur à l'intérieur de la hotte, avec des liquides ou des solvants.

Pour les parties métalliques internes, consulter le paragraphe précédent.

FILTRES MÉTALLIQUES ANTI-GRAISSE

Il est conseillé de laver **souvent** les filtres métalliques (**au moins tous les mois**) en les laissant tremper pendant une heure environ dans de l'eau bouillante avec du produit vaisselle, en évitant de les plier.

Ne pas utiliser de détergents corrosifs, acides ou alcalins.

Les rincer soigneusement et attendre qu'ils soient bien secs avant de les remonter.

Le lavage en lave-vaisselle est permis, mais il pourrait ternir le matériau des filtres : pour réduire cet inconvénient, utiliser des lavages à basses températures 131°F / 55°C max.

Pour l'extraction et l'introduction des filtres métalliques anti-graisse, voir les instructions de montage.

FILTRES AU CHARBON ACTIF (OPTIONNEL) KACL.961

En condition d'utilisation normale, il est conseillé de régénérer le filtre charbonzéolite tous les 18 mois et de le remplacer après 3 ans. Pour le régénérer, il suffit de l'insérer dans un four domestique normal à une température de 392° F (200°C) pendant environ 1 heure.

Attendre que le filtre se soit refroidi avant de le remonter.

ÉCLAIRAGE

La hotte est équipée d'un éclairage par des spots LED à haute efficacité, basse consommation et durée très élevée en conditions d'utilisation normale.

FIN DE VIE



Le symbole de la poubelle barrée reporté sur l'appareil en votre possession indique que **le produit est un DEEE**, c'est-à-dire un « Déchet dérivant d'Équipements Électriques et Électroniques » et, par conséquent, **il ne doit pas être jeté dans la poubelle non sélective** (c'est-à-dire avec les « déchets urbains mixtes »), mais il doit être géré séparément afin d'être soumis aux opérations spécifiques pour sa réutilisation ou bien à un traitement spécifique, pour enlever et éliminer en toute sécurité toute substance néfaste pour l'environnement et extraire les matières premières pouvant être recyclées. L'élimination correcte de ce produit contribuera à sauvegarder de précieuses ressources et à éviter de potentiels effets négatifs pour la santé de l'homme et pour l'environnement, qui pourraient être causés par une élimination inappropriée des déchets.

Nous vous prions de contacter les autorités locales pour de plus amples détails sur le point d'élimination désigné le plus proche. Des amendes pourraient être appliquées pour l'élimination incorrecte de ces déchets, conformément à la législation nationale.

INFORMATIONS SUR L'ÉLIMINATION DANS LES PAYS QUI N'APPARTIENNENT PAS À L'UNION EUROPÉENNE

Le symbole de la poubelle barrée est valable seulement dans l'Union Européenne : si l'on souhaite éliminer cet appareil dans d'autres pays, nous conseillons de contacter les autorités locales ou le revendeur pour demander la méthode d'élimination correcte.



ATTENTION !

Le Fabricant se réserve le droit d'apporter des modifications aux appareils à tout moment et sans préavis. L'impression, la traduction et la reproduction, même partielle, du présent manuel doivent être autorisées par le Fabricant.

Les informations techniques, les représentations graphiques et les spécifications présentes dans ce manuel sont indicatives et non divulguables.

La langue de rédaction du manuel est l'italien, le Fabricant n'est pas responsable d'éventuelles erreurs de transcription ou de traduction.

INSTRUCCIONES DE SEGURIDAD Y ADVERTENCIAS

LEA Y GUARDE ESTAS INSTRUCCIONES



Las operaciones de instalación deben efectuarlas instaladores competentes y cualificados, siguiendo cuanto se indica en este manual y respetando las normas en vigor.

Si el cable de alimentación u otros componentes están dañados, NO utilice la campana. Desconecte la campana de la alimentación eléctrica y póngase en contacto con el vendedor o con un centro de asistencia técnica autorizado para la reparación.

No cambie la estructura eléctrica, mecánica y de funcionamiento del equipo.

No trate de realizar por sí solo reparaciones o sustituciones: las intervenciones realizadas por personas no competentes y cualificadas pueden provocar daños, incluso graves, a cosas y/o personas que no están cubiertos por la garantía del fabricante.

ATENCIÓN: PARA REDUCIR EL RIESGO DE INCENDIOS, DESCARGAS ELÉCTRICAS O LESIONES A PERSONAS, CUMPLA LO SIGUIENTE:

a) Utilice esta unidad solo según la forma prevista por el fabricante. Si tiene dudas, contacte con el fabricante.

b) Antes de someter a mantenimiento o limpiar la unidad, desconecte la alimentación interviniendo en el panel de servicio y bloquee el sistema de desconexión del servicio para evitar que la alimentación se active accidentalmente.

Si no se puede bloquear el sistema de desconexión del servicio, fije bien un elemento de advertencia visible, como un cartel, en el panel de servicio.

ADVERTENCIA: Solo para uso de ventilación general. No lo use para extraer materiales explosivos o peligrosos ni vapores.

ADVERTENCIAS PARA EL INSTALADOR

SEGURIDAD TÉCNICA



Antes de instalar la campana controle la integridad y funcionalidad de cada una de sus partes: si se notan anomalías no realice la instalación y póngase en contacto con el revendedor.

NO instale la campana si detecta un defecto estético; vuélvala a colocar en su embalaje original y póngase en contacto con el revendedor.

Una vez instalada, no se aceptará ninguna reclamación por defectos estéticos.

Durante la instalación, utilice siempre equipos de protección personal (ej. calzado de protección contra accidentes) y adopte comportamientos prudentes y correctos.

El kit de fijación (tornillos, tacos y abrazaderas) que se entrega con la campana se puede usar solo en paredes de mampostería; si es necesario instalar la campana en paredes de material diferente, evalúe otros sistemas de fijación teniendo en cuenta la resistencia de la pared y el peso de la campana (indicado en la pág. 2).

Tenga en cuenta que la instalación con sistemas de fijación diferentes a los suministrados o no conformes puede conllevar riesgos de tipo eléctrico y mecánico. No instale la campana en exteriores ni la exponga a agentes atmosféricos (lluvia, viento, etc.).

Se debe comprobar todos los tornillos de fijación y volverlos a apretar, si fuera necesario, antes de la instalación.

ADVERTENCIA: Para reducir el riesgo de incendios y descargas eléctricas, instale esta campana extractora solo con un soplador remoto o sopladores integrales fabricados por FALMEC S.p.A. Modelos «Soplador de techo remoto».

SEGURIDAD ELÉCTRICA

La instalación debe realizarse de acuerdo con el Código Eléctrico Nacional, ANSI/NFPA 70 y con los códigos locales. Asegúrese de que la fuente de alimentación esté apagada antes de realizar la instalación.



La instalación eléctrica a la cual se conecta la campana debe respetar las normas correspondientes y tener obligatoriamente una conexión a tierra según las normas de seguridad del país de uso; además debe respetar las normativas europeas sobre la protección contra interferencias radio.

ATENCIÓN: INSTRUCCIONES PARA LA PUESTA A TIERRA

Este aparato debe estar conectado a tierra. En caso de un cortocircuito eléctrico, la conexión a tierra reduce el riesgo de descargas eléctricas proporcionando un cable de escape para la corriente eléctrica.

Este aparato dispone de un cable que tiene una toma de conexión a tierra con un enchufe de conexión a tierra.

El enchufe debe conectarse a una toma de corriente que esté correctamente instalada y conectada a tierra.

ATENCIÓN: Una puesta a tierra inapropiada puede derivar en un riesgo de electrocución.

Consulte a un electricista cualificado si no entiende completamente la instrucciones para la puesta a tierra, o si tiene dudas sobre si el aparato está correctamente conectado a tierra.

No utilice alargaderas. Si el cable de alimentación eléctrica es demasiado corto, encargue a un electricista cualificado la instalación de una toma de corriente cerca del aparato.

Antes de instalar la campana, controle que la tensión de red coincida con la indicada en la placa colocada en el interior de la campana.

La toma usada para la conexión eléctrica debe ser fácilmente accesible con el aparato instalado; en caso contrario, prevea un interruptor general para desconectar la campana.

Cualquier modificación en la instalación eléctrica deberá ser realizada sólo por un electricista cualificado.

La longitud máxima del tornillo de fijación de la chimenea (proporcionado por el fabricante) es de 1/2" (13 mm). El uso de tornillos que no sean conformes con estas instrucciones comporta riesgos de tipo eléctrico.

En caso de problemas de funcionamiento del equipo, no intente solucionar el problema por sí solo y póngase en contacto con el vendedor o un centro de asistencia autorizado para la reparación.



Durante la instalación de la campana, desconecte el equipo quitando el enchufe o accionando el interruptor general.

ATENCIÓN: Para reducir el riesgo de incendios o descargas eléctricas, no utilice este ventilador con ningún dispositivo de control de velocidad de estado sólido.

ADVERTENCIA: NO APTO PARA USO CON CONTROLES DE VELOCIDAD DE ESTADO SÓLIDO

SEGURIDAD DESCARGA DE HUMOS



No conecte el aparato a conductos de descarga de los humos producidos por la combustión (por ejemplo, calderas, chimeneas, etc.).

Antes de instalar la campana asegúrese de que se respeten todas las normativas vigentes sobre la descarga del aire en el exterior del local.

Para reducir el riesgo de incendio y extraer el aire adecuadamente, asegúrese de canalizar el aire al exterior – No ventile el aire de escape hacia otras zonas a través de paredes o techos, o hacia áticos, sótanos o garajes.

ATENCIÓN: PARA REDUCIR EL RIESGO DE INCENDIOS, UTILICE ÚNICAMENTE CONDUCTOS METÁLICOS.

ADVERTENCIAS PARA EL USUARIO



Estas advertencias se han redactado para su seguridad y la del resto de personas; le rogamos que lea atentamente este manual antes de instalar o de usar el aparato o realizar operaciones de limpieza en el mismo. El Fabricante declina toda responsabilidad por posibles daños que puedan ser provocados directa o indirectamente a personas, animales o cosas debido al incumplimiento de las advertencias de seguridad indicadas en este manual. Es muy importante que conserve este libro de instrucciones del equipo para consultas futuras.

Si el equipo debe venderse o cederse a otra persona, compruebe que se adjunte el manual, de manera que el nuevo usuario pueda estar informado sobre el funcionamiento de la campana y sobre las advertencias correspondientes.

Después de instalar las campanas de acero inoxidable es necesario limpiarlas para eliminar los residuos de cola del protector y las posibles manchas de grasa o y aceites que, de no eliminarse, pueden causar un deterioro irreparable en la superficie de la campana. Para esta operación, el fabricante recomienda usar las toallitas suministradas de serie, disponibles también a la venta.

Exija piezas de recambio originales.

Advertencia de la Propuesta 65 del Estado de California (solo EE. UU.)

ATENCIÓN

Este producto contiene productos químicos que el estado de California reconoce como causantes de cáncer y defectos de nacimiento u otros daños reproductivos.

Para obtener más información, visite www.P65Warnings.ca.gov

DESTINO DE USO

El aparato se puede usar única y exclusivamente para la aspiración de humos generados por la cocción de alimentos en cocinas domésticas, no profesionales; cualquier otro uso es inapropiado, puede provocar daños a personas, cosas y animales domésticos y exime al fabricante de toda responsabilidad.

Los niños cuya edad no sea inferior a los 8 años y las personas con capacidades físicas, sensoriales o mentales reducidas y sin experiencia ni los conocimientos necesarios, pueden usar el equipo siempre que estén bajo supervisión o hayan recibido las correspondien-

tes instrucciones para el uso seguro del equipo y para la comprensión de los peligros relacionados con este. Los niños no deben jugar con el equipo. Los niños no deben realizar sin vigilancia la limpieza y el mantenimiento destinados al usuario.


ADVERTENCIAS PARA EL USO Y LA LIMPIEZA

ATENCIÓN: PARA REDUCIR EL RIESGO DE UN INCENDIO POR GRASA EN LA PLACA:

- Nunca deje las encimeras desatendidas con programaciones altas. Los rebosamientos por ebullición provocan humo y derrames de grasa que pueden incendiarse. Caliente los aceites lentamente con programaciones bajas o medias.**
- Encienda siempre la campana al cocinar a fuego alto o al flamear alimentos (por ejemplo, crepas Suzette, cerezas flameadas, ternera flameada a la pimienta).**
- Limpie con frecuencia los ventiladores. No permita que la grasa se acumule en el ventilador ni el filtro.**
- Utilice un tamaño de olla adecuado. Utilice siempre utensilios de cocina apropiados para el tamaño de la placa.**

ATENCIÓN: PARA REDUCIR EL RIESGO DE LESIONES A PERSONAS EN EL CASO DE UN INCENDIO POR GRASA EN LA PLACA, RESPETE LO SIGUIENTE

- SOFOQUE LAS LLAMAS con una tapa ajustada, una bandeja para hornear o una bandeja metálica; después, apague el quemador. TENGA CUIDADO PARA EVITAR QUEMADURAS. Si no se apagan las llamas inmediatamente, EVACÚE LA ZONA Y LLAME A LOS BOMBEROS.**
 - NUNCA AGARRE UNA SARTÉN EN LLAMAS – Podría quemarse.**
 - NO UTILICE AGUA ni paños de cocina ni toallas mojadas: se produciría una violenta explosión de vapor.**
 - Utilice un extintor SOLO si:**
 - Tiene uno de Clase ABC y sabé cómo utilizarlo.**
 - El fuego es pequeño y está contenido en la zona donde se produjo.**
 - Se ha llamado a los bomberos.**
 - Puede sofocar el incendio teniendo a sus espaldas una salida.**
- ^a Basado en «Kitchen Firesafety Tips» publicado por NFPA.

 **Antes de realizar cualquier tipo de limpieza o de mantenimiento, desconecte el equipo desenchufándolo o usando el interruptor general.**

No use la campana con las manos mojadas o los pies descalzos.

Controle siempre que todas las partes eléctricas, (lucos, aspirador), estén apagadas cuando no se use el equipo.

El peso máximo total de los posibles objetos colocados o colgados (cuando esté previsto) en la campana no debe superar los 31b 5 oz (1.5 Kg).

Controle las freidoras mientras las está usando: El aceite recalentado podría inflamarse.

No encienda llamas libres debajo de la campana.

No cocine con llamas "libres" debajo de la campana.

No use nunca la campana sin los filtros metálicos anti-grasa; en este caso la grasa y la suciedad se depositarían en el equipo perjudicando su funcionamiento.

Las partes accesibles de la campana pueden estar calientes cuando se usan con equipos de cocción.

No realice operaciones de limpieza con las partes de la campana aún calientes.

Si no se realiza la limpieza según las modalidades y los productos indicados en este manual, esto puede conllevar un riesgo de incendio.

Desconecte el interruptor general, si no va a usar el equipo durante un periodo de tiempo prolongado.



En caso de utilizar simultáneamente otros equipos (calderas, estufas, hogares, etc.) alimentados con gas o con otros combustibles, prevea una adecuada ventilación del ambiente donde se realiza la aspiración de humos, según las normas vigentes.

INSTALACIÓN

parte reservada al personal cualificado



Antes de instalar la campana, lea atentamente el cap. "INSTRUCCIONES DE SEGURIDAD Y ADVERTENCIAS".

CARACTERÍSTICAS TÉCNICAS

Los datos técnicos del aparato se encuentran en unas etiquetas colocadas dentro de la campana.

POSICIONAMIENTO

La distancia mínima entre la parte más alta del aparato para la cocción y la parte más baja de la campana de cocina se indica en las instrucciones de montaje.

No instale la campana en exteriores ni la exponga a agentes atmosféricos (lluvia, viento, etc.).

CONEXIÓN ELÉCTRICA

(parte reservada solo a personal cualificado)



Antes de efectuar cualquier tipo de operación en la campana, desconecte el equipo de la corriente eléctrica.

Asegúrese de que no estén desconectados o cortados los hilos eléctricos montados dentro de la campana: en caso contrario, póngase en contacto con el Centro de Asistencia más cercano.

Para la conexión eléctrica consulte con el personal cualificado.

La conexión debe realizarla conforme a las disposiciones de ley en vigor.

Antes de conectar la campana a la red eléctrica, controle que:

- la tensión de red corresponda a la referida en los datos de la placa situada

FUNCIONAMIENTO

¿CUÁNDO HAY QUE ENCENDER LA CAMPANA?

Encienda la campana al menos un minuto antes de comenzar a cocinar para transportar los humos y vapores hacia la superficie de aspiración. Cuando finalice la cocción, deje en funcionamiento la campana hasta que se aspiren todos los vapores y los olores; con la función Temporizador, es posible configurar el apagado automático de la campana después de 15 minutos de funcionamiento.

¿QUÉ VELOCIDAD SELECCIONAR?

I velocidad: mantiene el aire limpio con bajos consumos de energía eléctrica.

II velocidad: condiciones normales de uso.

III velocidad: presencia de olores fuertes y de vapores.

IV velocidad: eliminación rápida de olores y vapores.

¿CUÁNDO LAVAR O CAMBIAR LOS FILTROS?

Los filtros metálicos deben lavarse cada 30 horas de uso.

Para más detalles, consulte el cap. "MANTENIMIENTO".

- dentro de la campana;
- la instalación eléctrica cumpla la normativa y pueda soportar la carga (véanse las características técnicas presentes dentro de la campana);
- el enchufe y el cable de alimentación no entren en contacto con temperaturas superiores a los 158°F (70 °C);
- la instalación de alimentación disponga de una conexión de tierra eficaz y correcta según las normas vigentes;
- la toma usada para la conexión sea fácilmente accesible una vez instalada la campana.

En caso de:

- aparatos equipados con cable sin enchufe: el enchufe debe ser de tipo "normalizado". Los cables deben conectarse de la siguiente forma: amarillo-verde para la puesta a tierra, azul para el neutro y el hilo marrón para la fase. El enchufe ha de conectarse a una adecuada toma de seguridad.
- aparato fijo sin cable de alimentación ni enchufe, ni de otro dispositivo que asegure la desconexión de la red, con una distancia de apertura de los contactos que permita la desconexión completa en las condiciones de la categoría de sobretensión III. Estos dispositivos de desconexión deben preverse en la red de alimentación en conformidad con las reglas de instalación.

El cable de tierra amarillo/verde no debe ser interrumpido por el interruptor. El fabricante se exime de toda responsabilidad en caso de que se incumplan las normas de seguridad.

DESCARGA DE HUMOS

CAMPANA DE EVACUACIÓN EXTERNA (EXTRACTORA)



En esta versión, los humos y vapores son canalizados hacia el ambiente exterior a través del tubo de descarga. Para ello, el racor de salida de la campana debe conectarse mediante un tubo, a una salida externa.

El tubo de salida debe tener:

- un diámetro no inferior al del racor de la campana.
- una ligera inclinación hacia abajo (caída) en los tramos horizontales para evitar que la condensación fluya hacia el motor.
- el número mínimo indispensable de codos.

- la longitud mínima indispensable para evitar vibraciones y reducir la capacidad aspirante de la campana.

Es necesario aislar la tubería si pasa a través de ambientes fríos. Para impedir retornos de aire desde el exterior, hay una válvula de no-retorno en presencia de motores con 500 CFM o superiores.

CAMPANA DE RECIRCULACIÓN INTERNA (FILTRANTE) (OPCIONALES)



En esta versión, el aire pasa a través de los filtros de carbón y zeolita (opcionales) para ser purificado y reciclado en el ambiente. Controle que los filtros de carbón estén montados en la campana; si no es así, móntelos tal como se indica en las instrucciones de montaje.



En esta versión, la válvula de no-retorno no debe estar montada; desmóntela si está presente en el racor de salida del aire del motor.

INSTRUCCIONES DE MONTAJE

parte reservada al personal cualificado



La campana puede instalarse en diferentes configuraciones. Las fases de montaje generales valen para todas las instalaciones, mientras que para la instalación específica deben seguirse las indicaciones precisas correspondientes.

PANEL DE MANDOS TÁCTIL



	ON/OFF (led blu fijo) Encendido/apagado del motor y Vel1
	ON/OFF (led blu intermitente) Si se presiona durante más de 3 segundos, activa el ciclo de 24 h (1h ON -> 3h OFF -> 1h ON) La función se desactiva si: - Se apaga el motor (botón). - Después 24h
	Activación de la Velocidad 2
	Activación de la Velocidad 3
	Activación de la Velocidad 4 solo durante unos minutos, después de activa la velocidad 3
	Encendido / Apagado luz
	TIMER (Led intermitente) Apagado automático tras 15 min. La función se desactiva (Led apagado) si: - Se apaga el motor (botón). - Si cambia la velocidad.
	ALARMA FILTROS (Led fijo con motor OFF) Mantenimiento de los filtros antigrasa tras unas 30 horas de uso. Presione durante 3 segundos para poner a cero el contador.



Si el panel de mandos está totalmente inactivo, antes de contactar con el servicio de asistencia técnica, corte temporalmente (unos 5") la alimentación eléctrica al electrodoméstico, en lo posible, a través del interruptor general, para restablecer el funcionamiento normal. Si este procedimiento no resulta eficaz, póngase en contacto con el servicio de asistencia técnica.

MANTENIMIENTO



Antes de realizar cualquier tipo de limpieza o de mantenimiento, desconecte el equipo desenchufándolo o usando el interruptor general.

No deben utilizarse detergentes que contengan sustancias abrasivas, ácidos o corrosivos ni paños con superficies rugosas.

Un mantenimiento constante asegura un buen funcionamiento y un óptimo rendimiento a lo largo del tiempo.

Preste especial atención a los filtros **metálicos antigrasa**: la limpieza frecuente de los filtros y de sus soportes asegura que en la campana no se acumulen grasas inflamables.

LIMPIEZA DE LAS SUPERFICIES EXTERNAS

Se recomienda limpiar las superficies externas de la campana **al menos cada 15 días**, para evitar que las sustancias aceitosas o grasosas puedan dañarlas. Para limpiar la campana, fabricada en acero inoxidable cepillado, el fabricante recomienda el uso de las toallitas "Magic Steel".

Como alternativa, **y para todos los otros tipos de superficies**, la limpieza de la campana se realiza con un paño húmedo ligeramente embebido en detergente líquido neutro o alcohol desnaturalizado.

Termine la limpieza enjuagando bien y secando con paños suaves.



No utilice demasiada agua cerca del panel de mandos y de los dispositivos de iluminación, para evitar que la humedad alcance partes electrónicas.

La limpieza de los paneles de vidrio debe efectuarse únicamente con detergentes específicos no corrosivos o abrasivos y con un paño suave.

El fabricante se exime de toda responsabilidad en caso de que se incumplan dichas instrucciones.

LIMPIEZA DE LAS SUPERFICIES INTERNAS



Se prohíbe limpiar las partes eléctricas o las partes del motor situadas dentro de la campana con líquidos o solventes.

Para las partes metálicas internas, consulte el apartado anterior.

FILTROS METÁLICOS ANTIGRASA

Se aconseja lavar **frecuentemente** los filtros metálicos (**al menos cada mes**) dejándolos en remojo durante 1 hora en agua hirviendo con detergente para platos, evitando doblarlos.

No use detergentes corrosivos, ácidos o alcalinos.

Enjuáguelos con cuidado y espere a que estén secos para volver a montarlos.

Es posible lavar los filtros en el lavavajillas, pero este tipo de lavado podría oscurecer el material de los filtros; para reducir este inconveniente, utilice bajas temperaturas 131°F / 55°C max.

Para extraer y montar los filtros metálicos, consulte las instrucciones de montaje.

FILTROS CARBÓN Y ZEOLITA (OPCIONAL) KACL.961

En condiciones de utilización normal, se aconseja regenerar el filtro carbón-zeolita cada 18 meses y sustituirlo después de 3 años.

Para regenerarlo basta con introducirlo en un horno doméstico normal a una temperatura de 392° F (200°C) durante una 1 hora.

Esperar a que el filtro se haya enfriado antes de volver a montarlo.

ILUMINACIÓN

La campana cuenta con iluminación mediante bombillas de ledes caracterizadas por una elevada eficiencia, un bajo consumo y una vida útil prolongada, en condiciones de uso normales.

ELIMINACIÓN AL FINAL DE LA VIDA ÚTIL



El símbolo del contenedor tachado que se encuentra en su equipo indica que **el producto es un RAEE**, es decir, un "Residuo de Aparatos

Eléctricos y Electrónicos" y, por tanto, **no se puede eliminar en la basura indiferenciada** (o sea, junto con los "residuos urbanos mixtos"), sino que se tiene que eliminar por separado siguiendo las operaciones correspondientes para su reciclaje, o someterse a un tratamiento específico para eliminar de forma segura las sustancias dañinas para el medio ambiente y extraer las materias primas que se pueden reciclar. La eliminación correcta de este producto contribuye a salvar importantes recursos y evitar potenciales efectos negativos para la salud humana y para el medio ambiente, que podrían ser causados por una eliminación inapropiada de los residuos.

Por favor, póngase en contacto con las autoridades locales para obtener mayor información acerca del punto de eliminación más cercano. Se podrían aplicar sanciones por la eliminación incorrecta de estos residuos, según la legislación nacional.

INFORMACIÓN ACERCA DE LA ELIMINACIÓN EN LOS PAÍSES QUE NO PERTENECEN A LA UNIÓN EUROPEA

El símbolo del contenedor tachado es válido solo en la Unión Europea: si quiere eliminar este equipo en otros países, le sugerimos que se ponga en contacto con las autoridades locales o el revendedor para obtener información sobre el método de eliminación correcto.



¡ATENCIÓN!

El fabricante se reserva el derecho a realizar cualquier cambio a los equipos en cualquier momento y sin previo aviso. La impresión, traducción y reproducción de este manual, incluso parcial, se deben realizar con la autorización del fabricante.

La información técnica, las representaciones gráficas y las indicaciones presentes en este manual son indicativas y no se pueden divulgar.

El idioma original del manual es el italiano, y el fabricante se exime de toda responsabilidad por posibles daños de transcripción o traducción.

ISTRUZIONI DI SICUREZZA E AVVERTENZE

LEGGERE E CONSERVARE LE PRESENTI ISTRUZIONI



Il lavoro d'installazione deve essere eseguito da installatori competenti e qualificati, secondo quanto indicato nel presente libretto e rispettando le norme in vigore.

Se il cavo di alimentazione o altri componenti sono danneggiati, la cappa NON deve essere utilizzata: staccare la cappa dall'alimentazione elettrica e contattare il Rivenditore o un Centro Assistenza Tecnica autorizzato per la riparazione.

Non modificare la struttura elettrica, meccanica e funzionale dell'apparecchiatura.

Non tentare di effettuare da soli riparazioni o sostituzioni: gli interventi effettuati da persone non competenti e qualificate possono provocare danni, anche molto gravi, a cose e/o persone non coperti da garanzia del Costruttore.

AVVERTENZA: PER RIDURRE IL RISCHIO DI SCOSSE ELETTRICHE O DI LESIONI, RISPETTARE QUANTO INDICATO DI SEGUITO:

a) Usare l'unità solo secondo le modalità indicate dal costruttore. In caso di dubbi, contattare il costruttore.

b) Prima di procedere con la manutenzione o la pulizia, spegnere l'unità dal pannello di controllo e bloccare gli strumenti di disconnessione dell'alimentazione in modo da evitare accensioni involontarie.

Qualora ciò non fosse possibile, fissare saldamente un dispositivo di avvertenza ben visibile, come un'etichetta, al pannello di controllo.

ATTENZIONE: Solo per ventilazione generale. Non usare per eliminare materiali e vapori pericolosi o esplosivi.

AVVERTENZE PER L'INSTALLATORE

SICUREZZA TECNICA



Prima di installare la cappa controllare l'integrità e funzionalità di ogni sua parte: se si notano anomalie non procedere nell'installazione e contattare il Rivenditore.

Nel caso sia stato riscontrato un difetto estetico la cappa NON deve essere installata; riporla nel suo imballo originale e contattare il Rivenditore.

Una volta installata non sarà accettato alcun reclamo per difetti estetici.

Durante l'installazione utilizzare sempre mezzi di protezione personale (es.: scarpe anti-infortunistiche) ed adottare comportamenti prudenti e corretti.

Il kit di fissaggio (viti e tasselli) fornito con la cappa è utilizzabile unicamente su pareti in muratura: in caso di installazione su pareti di materiale diverso, valutare altri sistemi di fissaggio tenendo conto della resistenza del muro e del peso della cappa (indicato a pag. 2). Tenere presente che l'installazione con sistemi di fissaggio diversi da quelli forniti o non conformi può comportare rischi di natura elettrica e di tenuta meccanica.

Non installare la cappa in ambienti esterni e non esporla ad agenti atmosferici (pioggia, vento, ecc...).

Prima dell'installazione, controllare tutte le viti e, se necessario, stringerle nuovamente.

ATTENZIONE: Per ridurre il rischio di incendio e scosse elettriche, installare questa cappa solo con un soffiatore remoto o con soffiatori integrati prodotti da FALMEC S.p.A. Modelli "Soffiatore remoto per tetto".

SICUREZZA ELETTRICA

L'installazione deve essere conforme al National Electrical Code, ANSI/NFPA 70 e alle norme locali. Verificare che l'alimentazione sia scollegata prima di procedere con l'installazione.



L'impianto elettrico al quale viene collegata la cappa deve essere a norma e munito di collegamento a terra secondo le norme di sicurezza del Paese di utilizzo; deve essere inoltre conforme alle normative Europee sull'antidisturbo radio.

AVVERTENZA: ISTRUZIONI DI MESSA A TERRA

Questo apparecchio deve essere collegato a terra. In caso di cortocircuito elettrico, la messa a terra riduce il rischio di scosse garantendo lo scarico della corrente elettrica a terra.

Questo apparecchio è dotato di un cavo con cavo e spina di messa a terra.

Inserire la spina in una presa correttamente installata e collegata a terra.

AVVERTENZA: Una messa a terra errata può generare il rischio di scosse elettriche.

Consultare un elettricista qualificato laddove le istruzioni di messa a terra non risultino chiare o in caso di dubbi sulla corretta messa a terra dell'apparecchio.

Non usare prolunghe. Se il cavo di alimentazione è troppo corto, contattare un elettricista qualificato per far installare una presa in prossimità dell'apparecchio.

Prima di installare la cappa verificare che la tensione di rete corrisponda a quella riportata dalla targhetta posta all'interno della cappa.

La presa usata per il collegamento elettrico deve essere facilmente raggiungibile con l'apparecchiatura installata: in caso contrario, prevedere un interruttore generale per disconnettere la cappa al bisogno.

Ogni eventuale modifica all'impianto elettrico dovrà essere eseguita solo da un elettricista qualificato.

La lunghezza massima della vite di fissaggio del cammino (fornita dal fabbricante) è di 1/2" (13 mm). L'utilizzo di viti non conformi con le presenti istruzioni può comportare rischi di natura elettrica.

In caso di malfunzionamenti dell'apparecchio, non tentare di risolvere da soli il problema, ma contattare il Rivenditore o un Centro di Assistenza autorizzato per la riparazione.



Durante l'installazione della cappa, disinserire l'apparecchio togliendo la spina o agendo sull'interruttore generale.

AVVERTENZA: Per ridurre il rischio di incendio o scosse elettriche, non usare questa ventola con dispositivi di controllo della velocità

ATTENZIONE: NON ADATTO ALL'USO CON REGOLATORI DI VELOCITÀ A STATO SOLIDO

SICUREZZA SCARICO FUMI



Non collegare l'apparecchio a condotti di scarico dei fumi prodotti dalla combustione (ad es. caldaie, caminetti, ecc...)

Prima dell'installazione della cappa assicurarsi che siano rispettate tutte le normative vigenti sullo scarico dell'aria all'esterno del locale.

Per ridurre il rischio di incendio ed eliminare correttamente l'aria, assicurarsi di convogliare l'aria verso l'esterno - Non eliminare l'aria all'interno degli spazi tra le pareti o nei soffitti, nei sottotetti, in spazi ristretti o nei garage.

AVVERTENZA: PER RIDURRE IL RISCHIO DI INCENDIO, UTILIZZARE SOLO CONDOTTI METALLICI.

AVVERTENZE PER L'UTILIZZATORE



Queste avvertenze sono state redatte per la vostra sicurezza e per quella degli altri, Vi preghiamo, dunque, di leggere attentamente questo libretto in tutte le sue parti prima di utilizzare l'apparecchio o di effettuare operazioni di pulizia sullo stesso.

Il Costruttore declina ogni responsabilità per eventuali danni che possano, direttamente o indirettamente, essere causati a persone, cose ed

animali domestici conseguenti alla mancata osservanza delle avvertenze di sicurezza indicate in questo libretto.

È molto importante che questo libretto istruzioni sia conservato insieme all'apparecchiatura per qualsiasi futura consultazione.

Se l'apparecchio dovesse essere venduto o trasferito ad un'altra persona, assicurarsi che anche il libretto venga fornito, in modo che il nuovo utente possa essere messo al corrente del funzionamento della cappa e delle avvertenze relative.

Dopo l'installazione delle cappe in acciaio inox è necessario eseguire la pulizia della stessa per rimuovere i residui di collante del protettivo e le eventuali macchie di grasso e oli, che, se non rimosse, possono causare il deterioramento irreversibile della superficie della cappa. Per questa operazione il costruttore raccomanda l'utilizzo delle salviette in dotazione, disponibili anche in acquisto. Esigere parti di ricambio originali.

Avvertimento sulla Proposta 65 dello Stato della California (solo Stati Uniti)

ATTENZIONE:

Questo prodotto contiene sostanze chimiche che lo Stato della California riconosce come causa di cancro, difetti alla nascita o altri danni riproduttivi.

Per maggiori informazioni, visitare www.P65Warnings.ca.gov

DESTINAZIONE D'USO

L'apparecchio è destinato solo ed esclusivamente per l'aspirazione di fumi generati dalla cottura di alimenti in ambito domestico, non professionale: qualsiasi utilizzo diverso da questo è improprio, può provocare danni a persone, cose ed animali domestici e solleva il Costruttore da qualsiasi responsabilità.

L'apparecchio può essere utilizzato da bambini di età non inferiore a 8 anni e da persone con ridotte capacità fisiche, sensoriali o mentali, o prive di esperienza o della necessaria conoscenza, purché sotto sorveglianza oppure dopo che le stesse abbiano ricevuto istruzioni relative all'uso sicuro dell'apparecchio e alla comprensione dei pericoli ad esso inerenti.

I bambini non devono giocare con l'apparecchio. La pulizia e la manutenzione a cura dell'utilizzatore non deve essere effettuata da bambini senza sorveglianza.

AVVERTENZE PER L'UTILIZZO E LA PULIZIA

AVVERTENZA: PER RIDURRE IL RISCHIO DI INCENDIO DA GRASSI:

a) Non lasciare le unità superficiali incustodite ad alta temperatura. Eventuali tentativi di boilover possono generare fumo e sversamenti di grasso, che potrebbero incendiarsi. Riscaldare gli oli lentamente a bassa o media temperatura.

b) Accendere sempre la cappa durante la cottura ad alta temperatura o in caso di cottura flambé (es., Crepes Suzette, Cherries Jubilee, filetto flambé al pepe).

c) Pulire spesso le ventole di sfianto. Evitare che il grasso si accumuli sulla ventola o sul filtro.

d) Usare pentole di dimensioni adatte. Utilizzare sempre utensili adatti alla superficie.

AVVERTENZA: PER RIDURRE IL RISCHIO DI LESIONI IN CASO DI INCENDIO DA GRASSI, OSSERVARE QUANTO INDICATO DI SEGUITO^a:

a) DOMARE LE FIAMME con un coperchio, una teglia da forno o un vassoio in metallo e spegnere il bruciatore. ATTENZIONE: RISCHIO DI USTIONI. Se le fiamme non si estinguono immediatamente, EVACUARE L'AREA E CHIAMARE I VIGILI DEL FUOCO.

b) NON TOCCARE UNA PENTOLA IN FIAMME - Rischio di ustioni.

c) NON USARE ACQUA, inclusi panni o asciugamani - potrebbero causare violente esplosioni di vapore.

d) Usare un estintore SOLO se:

1) Si dispone di un estintore di classe ABC e delle conoscenze necessarie al suo utilizzo.

2) L'incendio è di piccola entità e contenuto nell'area in cui ha avuto inizio.

3) I vigili del fuoco sono stati avvertiti.

4) È possibile contrastare l'incendio tenendo la schiena rivolta verso un'uscita.

^a Basato su "Kitchen Firesafety Tips" pubblicato da NFPA.



Prima di procedere a qualsiasi operazione di pulizia o di manutenzione, disinserire l'apparecchio togliendo la spina o agendo sull'interruttore generale.

Non utilizzare la cappa con le mani bagnate o piedi scalzi.

Quando l'apparecchio non viene usato, controllare sempre che tutte le parti elettriche, (luci, aspiratore), siano spente.

Il peso massimo complessivo di eventuali oggetti posizionati o appesi (ove previsto) sulla cappa non deve superare 31b 5 oz (1.5 Kg).

Controllare le friggatrici durante l'uso: l'olio surriscaldato potrebbe infiammarsi.

Non accendere fiamme libere sotto la cappa.

Non preparare cibi alla fiamma sotto la cappa.

Non utilizzare mai la cappa senza i filtri metallici anti-grasso; grasso e sporco in questo caso si depositerebbero nell'apparecchio compromettendone il funzionamento.

Parti accessibili della cappa possono essere calde se utilizzate insieme con apparecchi di cottura.

Non effettuare operazioni di pulizia quando parti della cappa sono ancora calde.

Se la pulizia non è condotta secondo le modalità e i prodotti indicati nel presente libretto è possibile un rischio di incendio.

Disinserire l'interruttore generale quando l'apparecchio non viene utilizzato per periodi prolungati di tempo.



In caso di utilizzo contemporaneo di altre utenze (caldaie, stufe, caminetti, ecc.) alimentate a gas o con altri combustibili, provvedere ad una adeguata ventilazione del locale in cui avviene l'aspirazione dei fumi, secondo le norme vigenti.

INSTALLAZIONE

parte riservata solo a personale qualificato



Prima di effettuare l'installazione della cappa, leggere attentamente il cap. "ISTRUZIONI DI SICUREZZA E AVVERTENZE".

CARATTERISTICHE TECNICHE

I dati tecnici dell'apparecchio sono riportati su etichette posizionate all'interno della cappa.

POSIZIONAMENTO

La distanza minima fra la parte più alta dell'apparecchiatura per la cottura e la parte più bassa della cappa da cucina viene indicata nelle istruzioni di montaggio.

Non installare la cappa in ambienti esterni e non esporla ad agenti atmosferici (pioggia, vento, ecc...).

COLLEGAMENTO ELETTRICO

(parte riservata solo a personale qualificato)



Prima di effettuare qualsiasi operazione sulla cappa scollegare l'apparecchio dalla rete elettrica.

Assicurarsi che non vengano scollegati o tagliati fili elettrici all'interno della cappa:

in caso contrario contattare il Centro Assistenza più vicino.

Per l'allacciamento elettrico rivolgersi a personale qualificato.

Il collegamento deve essere eseguito in conformità con le disposizioni di legge in vigore.

Prima di collegare la cappa alla rete elettrica, controllare che:

- la tensione di rete corrisponda a quella riportata sui dati di targa posti all'interno della cappa;
- l'impianto elettrico sia a norma e possa sopportare il carico (vedi caratteristiche tecniche posizionate all'interno della cappa);
- la spina e il cavo, di alimentazione, non devono entrare in contatto con temperature superiori a 158°F (70 °C);
- l'impianto di alimentazione sia munito di efficace e corretto collegamento di terra secondo le norme vigenti;
- la presa usata per il collegamento sia facilmente raggiungibile una volta installata la cappa.

In caso di :

- apparecchi dotati di cavo senza spina: la spina da utilizzare deve essere di tipo "normalizzato". Il fili devono essere collegati come segue: giallo-verde per la messa a terra, blu per il neutro e il filo marrone per la fase. La spina deve essere collegata ad un'adeguata presa di sicurezza.
- apparecchio fisso non provvisto di cavo di alimentazione e di spina, o di altro dispositivo che assicuri la disconnessione dalla rete, con una distanza di apertura dei contatti che consenta la disconnessione completa nelle condizioni della categoria di sovratensione III.
Tali dispositivi di disconnessione devono essere previsti nella rete di alimentazione conformemente alle regole di installazione.

Il cavo di terra giallo/verde non deve essere interrotto dall'interruttore.
Il Costruttore declina ogni responsabilità nel caso le norme di sicurezza non vengano rispettate.

SCARICO FUMI

CAPPA AD EVACUAZIONE ESTERNA (ASPIRANTE)



In questa versione, fumi e vapori vengono convogliati verso l'esterno attraverso il tubo di scarico.
A tal fine, il raccordo d'uscita della cappa, deve essere collegato tramite un tubo, ad un'uscita esterna.

Il tubo d'uscita deve avere:

- un diametro non inferiore a quello di raccordo della cappa.
- una leggera inclinazione verso il basso (caduta) nei tratti orizzontali per evitare che la condensa refluisca nel motore.
- il numero minimo indispensabile di curve.
- la lunghezza minima indispensabile per evitare vibrazioni e di ridurre la capacità aspirante della cappa.
E' necessario isolare la tubazione se passa attraverso ambienti freddi.
Per impedire ritorni d'aria dall'esterno, una valvola di non ritorno è presente in presenza di motori con 500 CFM o superiori.

CAPPA A RICICLO INTERNO (FILTRANTE) OPZIONALE



In questa versione l'aria passa attraverso i filtri al carbone attivo e zeolite (opzionali) per essere purificata e riciclata nell'ambiente.
Controllare che i filtri al carbone siano montati sulla cappa, in caso negativo applicarli come indicato nelle istruzioni di montaggio.



In questa versione valvola di non ritorno non deve essere montata: rimuoverla se presente sul raccordo di uscita aria del motore.

ISTRUZIONI DI MONTAGGIO

parte riservata solo a personale qualificato



La cappa ha la possibilità di essere installata in varie configurazioni.
Le fasi di montaggio generiche valgono per tutte le installazioni; seguire invece dove specificato le fasi corrispondenti all'installazione desiderata.

FUNZIONAMENTO

QUANDO ACCENDERE LA CAPPA?

Accendere la cappa almeno un minuto prima di iniziare a cucinare per convogliare fumi e vapori verso la superficie di aspirazione.
Al termine della cottura lasciare in funzione la cappa fino a completa aspirazione di tutti i vapori e odori: con la funzione Timer, è possibile impostare l'autospegnimento della cappa dopo 15 minuti di funzionamento.

QUALE VELOCITÀ SCEGLIERE?

I velocità: mantiene l'aria pulita con bassi consumi di energia elettrica.

II velocità: condizioni normali di utilizzo.

III velocità: presenza di forti odori e vapori.

IV velocità: rapidi smaltimenti di odori e vapori.

QUANDO LAVARE O CAMBIARE I FILTRI?

I filtri metallici devono essere lavati ogni 30 ore di utilizzo.
Per ulteriori dettagli vedere cap "MANUTENZIONE".

PULSANTIERA TOUCH



	ON/OFF (led blu fisso) Accensione/spegnimento motore e Vel1
	ON/OFF (led blu lampeggiante) Premuto per più di 3 secondi attiva il ciclo 24h (1h ON -> 3h OFF -> 1h ON) La funzione si disattiva se: - si preme un'altra volta () - Dopo 24h
	Attivazione Velocità 2
	Attivazione Velocità 3
	Attivazione Velocità 4 solo per alcuni minuti, poi velocità 3
	Accensione / spegnimento luce
	TIMER (Led lampeggiante) Autospegnimento dopo 15min. La funzione si disattiva (Led spento) se: - Si spegne il motore (tasto). - Si varia la velocità.
	ALLARME FILTRI (Led fisso con motore OFF) Manutenzione filtri antigrasso dopo circa 30 ore di utilizzo. Premere per 3 secondi per azzerare il contatore.



Se la pulsantiera è completamente inattiva, prima di contattare il servizio di Assistenza tecnica, togliere temporaneamente (circa 5") l'alimentazione elettrica all'elettrodomestico, possibilmente agendo sull'interruttore generale, per ripristinare il normale funzionamento.
Se questo accorgimento non risultasse efficace, contattare il servizio di Assistenza tecnica.

MANUTENZIONE



Prima di procedere a qualsiasi operazione di pulizia o di manutenzione, disinserire l'apparecchio togliendo la spina o agendo sull'interruttore generale.

Non si devono utilizzare detergenti contenenti sostanze abrasive, acide o corrosive e panni con superfici ruvide.

Una costante manutenzione garantisce un buon funzionamento e rendimento nel tempo.

Particolari attenzioni vanno rivolte ai filtri **metallici antigrasso**: la pulizia frequente dei filtri e dei loro supporti garantisce che non si accumulino grassi infiammabili.

PULIZIA SUPERFICI ESTERNE

Si raccomanda di pulire le superfici esterne della cappa **almeno ogni 15 giorni** per evitare che le sostanze oleose o grasse possano intaccarle. Per la pulizia della cappa, realizzata in acciaio inox spazzolato, il Costruttore consiglia l'utilizzo delle salviette "Magic Steel" che si possono anche ordinare on-line sul sito www.e-fal-mec.com.

In alternativa e **per tutti gli altri tipi di superfici**, la pulizia va eseguita usando un panno umido leggermente imbevuto di detersivo neutro liquido o con alcool denaturato.

Terminare la pulizia con un accurato risciacquo e asciugatura con panni morbidi.



Non utilizzare troppa acqua in prossimità della pulsantiera e dei dispositivi di illuminazione per evitare che l'umidità raggiunga parti elettroniche.

La pulizia dei pannelli in vetro va eseguita solo con detergenti specifici non corrosivi o abrasivi utilizzando un panno morbido.

Il Costruttore declina ogni responsabilità qualora non vengano rispettate tali istruzioni.

PULIZIA SUPERFICI INTERNE



E' vietata la pulizia di parti elettriche o parti relative al motore all'interno della cappa, con liquidi o solventi.

Per le parti metalliche interne vedi paragrafo precedente.

FILTRI METALLICI ANTIGRASSO

Si consiglia di lavare frequentemente i filtri metallici (almeno ogni mese) lasciandoli in ammollo per circa 1 ora in acqua bollente con detersivo per piatti, evitando di piegarli.

Non usare detergenti corrosivi, acidi o alcalini.

Risciacquarli con cura ed attendere che siano ben asciutti prima di rimontarli.

Il lavaggio in lavastoviglie è permesso, ma potrebbe creare imbrunimenti al materiale dei filtri: per ridurre questo inconveniente utilizzare lavaggi a basse temperature 131°F / 55°C max..

Per l'estrazione e l'inserimento dei filtri metallici antigrasso vedi istruzioni di montaggio.

FILTRI AL CARBONE E ZEOLITE (OPZIONALE) KACL.961

In condizione di normale utilizzo si consiglia di rigenerare il filtro carbone-zeolite ogni 18 mesi e di sostituirlo dopo 3 anni. Per rigenerarlo è sufficiente inserirlo in un normale forno domestico ad una temperatura di 392° F (200°C) per circa 1 ora.

Attendere che il filtro si sia raffreddato prima di rimontarlo.

ILLUMINAZIONE

La cappa è dotata di illuminazione tramite faretti led ad alta efficienza, basso consumo e durata molto elevata in condizioni di normale utilizzo.

FINE VITA



Il simbolo del cestino barrato riportato sull'apparecchiatura in suo possesso indica che **il prodotto è un RAEE**, cioè un "Rifiuto derivante dalle Apparecchiature Elettriche ed Elettroniche" e pertanto **non deve essere gettato nella spazzatura indifferenziata** (cioè insieme ai "rifiuti urbani misti"), ma deve essere gestito separatamente così da essere sottoposto ad appropriate operazioni per il suo riutilizzo, oppure a uno specifico trattamento, per rimuovere e smaltire in modo sicuro le eventuali sostanze dannose per l'ambiente ed estrarre le materie prime che possono essere riciclate. Lo smaltimento corretto di questo prodotto contribuirà a salvare preziose risorse ed evitare potenziali effetti negativi per la salute umana e per l'ambiente, che potrebbero essere causati da uno smaltimento inappropriato dei rifiuti.

Vi preghiamo di contattare le autorità locali per ulteriori dettagli sul punto di smaltimento designato più vicino. Potrebbero venire applicate delle penali per lo smaltimento scorretto di questi rifiuti in conformità alla legislazione nazionale.

Potrebbero venire applicate delle penali per lo smaltimento scorretto di questi rifiuti in conformità alla legislazione nazionale.

INFORMAZIONI SULLO SMALTIMENTO IN NAZIONI NON APPARTENENTI ALL'UNIONE EUROPEA

Il simbolo del cestino barrato è valido solamente nell'Unione Europea: se si desidera smaltire questa apparecchiatura in altri Paesi suggeriamo di contattare le autorità locali o il Rivenditore per chiedere il metodo corretto di smaltimento.



ATTENZIONE!

Il Costruttore si riserva il diritto di apportare modifiche alle apparecchiature in qualsiasi momento e senza preavviso. La stampa, la traduzione e la riproduzione anche parziale del presente manuale s'intendono vincolate dall'autorizzazione del Costruttore.

Le informazioni tecniche, le rappresentazioni grafiche e le specifiche presenti in questo manuale sono indicative e non divulgabili.

La lingua di stesura del manuale è l'italiano, il Costruttore non si rende responsabile per eventuali errori di trascrizione o traduzione.

falmec
Life inspired.

falmec
Life inspired.

Falmec S.p.A

**via dell'Artigianato, 42 z.i.
31029 Vittorio Veneto
Treviso — Italy
info@falmec.com
falmec.com**

**Codice / Code
Matricola / Serial Number**

┌

┐

└

┘