

Version	FNLNA36I5SS / Island 36" (90 cm) - Steel - 500 CFM
Collection	Silence - NRS

FEATURES AND PROPERTIES

Materials/Finishes	Scotch brite stainless steel (AISI 304)
Materials/Finishes	Tempered glass with white finish
Technology	NRS technology for a quieter kitchen
Control	Touch control
Ducting type	Extracting/Filtering
Installation type	Island
Lighting	Fluorescent ambient light Fluorescent lighting Fluorescent
Filters	Metallic grease filter, removable and washable Combined Carbon.Zeo filter, regenerable
Ducting type	
Dimensions	36 in
Minimum Electric hob distance	21 in
Minimum Gas hob distance	26 in
Notes	Recommended mounting height from cooking surface to hood bottom: 24" - 35"; Availability Carbon.Zeo filter KACL.961 for hoods produced from 11/02/2020 Availability Carbon.Zeo filter KACL.1039 for hoods produced from Sept. 2024



Photograph is for information purposes only. May not correspond to the selected version

ELECTRICAL CONNECTION AND CONSUMPTION

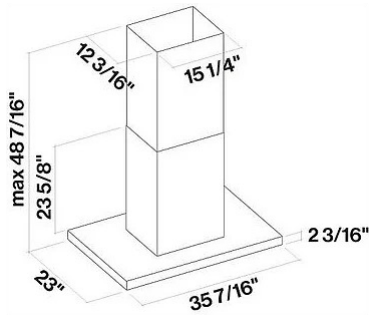
Maximum consumption	280 W
Voltage/Frequency	110-120V 60Hz
Connection type	Hood comes standard with Nema 5-15P power cord

BLOWER PERFORMANCE

Motor	500 CFM
Minimum sound level	37 dB (A)re1pW I.E.C. 60704-2-13
Maximum sound level	46 dB (A)re1pW I.E.C. 60704-2-13

WEIGHTS AND DIMENSIONS

Gross weight	115 lbs
Net weight	100 lbs
Volume	22 ft
Packaging dimensions	L 43 x H 26 x D35 in



OPTIONAL ACCESSORIES

Code	Description
KACL.572#I	Extension H1200 Island - Inox
KACL.815	Protective cleaning cloths for stainless steel (box 10 pcs)
KACL.400	Silent / Conveyor NRS
KACL.1039	Carbon.Zeo Microtech renewable filter

ENGINE SPECIFICATIONS

Motor speed	1	2	3	4
Noise dB(A) re1pW I.E.C. 60704-2-13	37	41	46	54,5
Capacity	220	290	375	610
Maximum pressure (Pa)	390	440	490	510
Motor power (W)	130	150	178	224
Air outlet	150	150	150	150

CAPACITY / PRESSURE

