

Version	FNMAS30W6SS-R1 / Built-in 30" (76 cm) - Steel - 600 CFM
Collection	Silence - NRS

FEATURES AND PROPERTIES

Materials/Finishes	Scotch brite stainless steel (AISI 304)
Technology	NRS technology for a quieter kitchen
Control	Remote control (optional) Touch control
Ducting type	Extracting/Filtering
Installation type	Insert
Lighting	Dynamic Light (2700K - 5600K) Led 2x1,2 W - 3200 K
Filters	Charcoal filter (optional)
Ducting type	
Dimensions	30 in
Minimum Electric hob distance	21 in
Minimum Gas hob distance	25 in
Notes	Recommended mounting height from cooking surface to hood bottom: 24" - 36"



Photograph is for information purposes only. May not correspond to the selected version

Availability Carbon.Zeo filter KACL.1039 for hoods produced from Sept. 2024

Led 2x1,2 W - 3200K until Oct.2024

ELECTRICAL CONNECTION AND CONSUMPTION

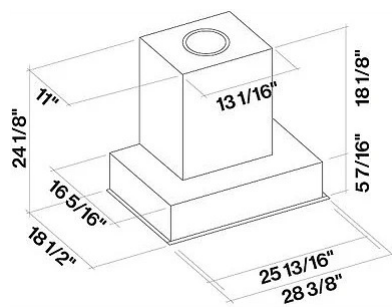
Maximum consumption	340 W
Voltage/Frequency	110-120V 60Hz
Connection type	Hood comes standard with Nema 5-15P power cord

BLOWER PERFORMANCE

Motor	600 CFM
Minimum sound level	0 dB (A)re1pW I.E.C. 60704-2-13
Maximum sound level	0 dB (A)re1pW I.E.C. 60704-2-13

WEIGHTS AND DIMENSIONS

Gross weight	73 lbs
Net weight	56 lbs
Volume	17 ft
Packaging dimensions	L 41 x H 25 x D30 in



OPTIONAL ACCESSORIES

<i>Code</i>	<i>Description</i>
105080053	Remote control
KACL.1039	Carbon.Zeo Microtech renewable filter