

Version FNPLS36I5SS-R / Island 36" (90 cm) - 500 CFM
Collection Silence - NRS

FEATURES AND PROPERTIES

Materials/Finishes Scotch brite stainless steel (AISI 304)
Technology NRS technology for a quieter kitchen
 SRS Speed reduction system
Control Electronic control
Ducting type Extracting/Filtering
Installation type Island
Lighting LED 4x1,2 W - 3200 K
Filters Air Falmec filter for balanced suction
 Carbon.Zeo Microtech renewable filter (optional)
Ducting type
Dimensions 36 in
Minimum Electric hob distance 21 in
Minimum Gas hob distance 25 in
Notes Recommended mounting height from cooking surface to hood bottom: 24" - 35"
 Availability Carbon.Zeo filter KACL.1039 for hoods produced from Sept. 2024



Photograph is for information purposes only. May not correspond to the selected version

ELECTRICAL CONNECTION AND CONSUMPTION

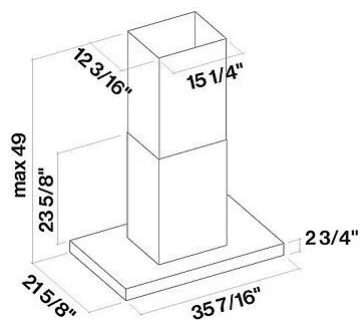
Maximum consumption 280 W
Voltage/Frequency 110-120V 60Hz
Connection type Hood comes standard with Nema 5-15P power cord

BLOWER PERFORMANCE

Motor 500 CFM
Minimum sound level 37 dB (A)re1pW I.E.C. 60704-2-13
Maximum sound level 46 dB (A)re1pW I.E.C. 60704-2-13

WEIGHTS AND DIMENSIONS

Gross weight 109 lbs
Net weight 93 lbs
Volume 22 ft
Packaging dimensions L 43 x H 27 x D35 in



OPTIONAL ACCESSORIES

Code	Description
KACL.921	High Performance Filter
KACL.572#I	Extension H1200 Island - Inox
KACL.815	Protective cleaning cloths for stainless steel (box 10 pcs)
KACL.400	Silent / Conveyor NRS
KACL.1039	Carbon.Zeo Microtech renewable filter

ENGINE SPECIFICATIONS

Motor speed	1	2	3	4
Noise dB(A) re1pW I.E.C. 60704-2-13	37	41	46	54,5
Capacity	220	290	375	610
Maximum pressure (Pa)	390	440	490	510
Motor power (W)	130	150	178	224
Air outlet	150	150	150	150

CAPACITY / PRESSURE

