

Version FNPLS48W5SS-R / Wall 18" (120 cm) - 500 CFM
Collection Silence - NRS

FEATURES AND PROPERTIES

Materials/Finishes Scotch brite stainless steel (AISI 304)
Technology NRS technology for a quieter kitchen
 SRS Speed reduction system

Features Automatic shut-off timer
 Clean filter reminder

Control Electronic control

Ducting type Extracting/Filtering

Installation type Wall

Filters Top filter, removable and washable
 Combined Carbon.Zeo filter, regenerable

Ducting type

Dimensions 48 in

Minimum Electric hob distance 21 in

Minimum Gas hob distance 25 in

Notes Recommended mounting height from cooking surface to hood bottom: 24" - 35"

Availability Carbon.Zeo filter KACL.1039 for hoods produced from Sept. 2024



Photograph is for information purposes only. May not correspond to the selected version

ELECTRICAL CONNECTION AND CONSUMPTION

Maximum consumption 280 W

Voltage/Frequency 110-120V 60Hz

BLOWER PERFORMANCE

Motor 500 CFM

Minimum sound level 0 dB (A)re1pW I.E.C. 60704-2-13

Maximum sound level 0 dB (A)re1pW I.E.C. 60704-2-13

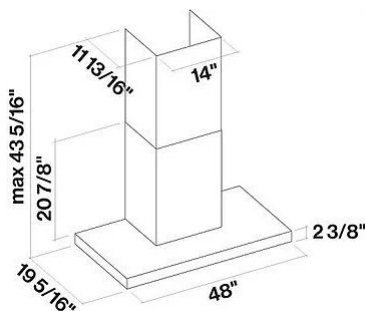
WEIGHTS AND DIMENSIONS

Gross weight 95 lbs

Net weight 80 lbs

Volume 19 ft

Packaging dimensions L 52 x H 26 x D24 in



OPTIONAL ACCESSORIES

<i>Code</i>	<i>Description</i>
KACL.570#I	Extension H700 Wall - Inox
KACL.571#I	Extension H960 Wall - Inox
KACL.1039	Carbon.Zeo Microtech renewable filter