

Version FPAFX36W6SS / Wall 36" (90 cm) - 600 CFM
Collection Potenza

FEATURES AND PROPERTIES

Materials/Finishes Scotch brite stainless steel
Control Slider
Ducting type Extracting/Filtering
Installation type Wall
Lighting Led 2x1,2 W - 3200 K
Filters Metallic grease filter, removable and washable
Ducting type
Dimensions 36 in
Minimum Electric hob distance 21 in
Minimum Gas hob distance 24 in
Notes Recommended mounting height from cooking surface to hood bottom: 24" - 35"



Photograph is for information purposes only. May not correspond to the selected version

ELECTRICAL CONNECTION AND CONSUMPTION

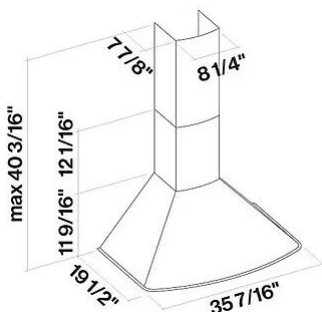
Maximum consumption 340 W
Voltage/Frequency 110-120V 60Hz
Connection type Hood comes standard with Nema 5-15P power cord

BLOWER PERFORMANCE

Motor 600 CFM
Minimum sound level 0 dB (A)re1pW I.E.C. 60704-2-13
Maximum sound level 0 dB (A)re1pW I.E.C. 60704-2-13

WEIGHTS AND DIMENSIONS

Gross weight 38 lbs
Net weight 29 lbs
Volume 9 ft
Packaging dimensions L 40 x H 17 x D24 in



OPTIONAL ACCESSORIES

Code	Description
KACL.815	Protective cleaning cloths for stainless steel (box 10 pcs)

OPTIONAL ACCESSORIES

<i>Code</i>	<i>Description</i>
103050091	FFCHAR3C0BL - Round charcoal filter Ø 6' - Type 6
