



INSTRUCTION SHEET

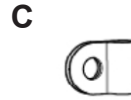
Kit Contents:



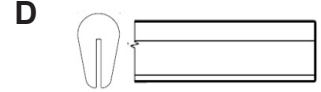
(1x) 218976831
 1/4" Green water line,
 16 feet



(2x) 240396804
 1/4" Green water line
 strain relief



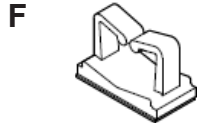
(2x) 240396805
 1/8" Wiring harness
 strain relief



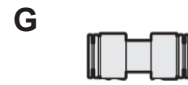
(2x) A20060201
 11" Rubber trim
 access cover



(1x) A19408101
 Wiring Harness
 19 Feet

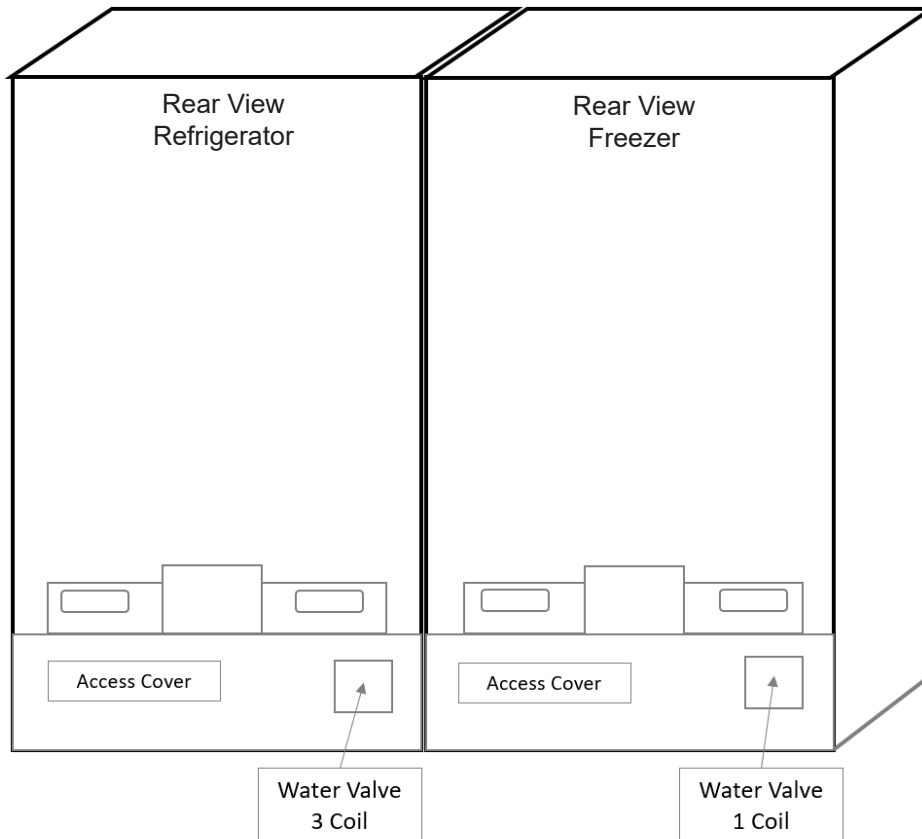


(2x) 305346-00
 Wiring Harness
 support clips



(1x) 1/4" Union
 5304518370

ORIGINAL CONFIGURATION





INSTRUCTION SHEET

NOTE: This kit is designed to provide filtered water to the freezer ice maker when a single-door freezer is installed next to a single-door refrigerator.

NOTE: An authorized service technician is recommended to install the filtered ice kit.

NOTE: Disconnect electrical power prior to servicing this product.

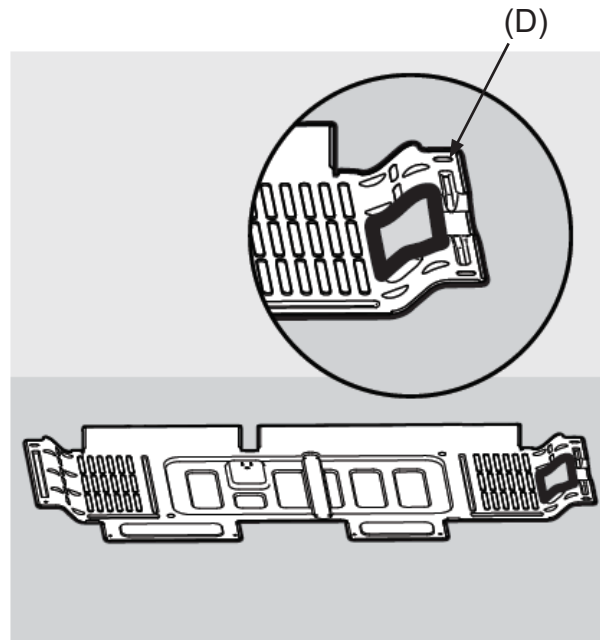
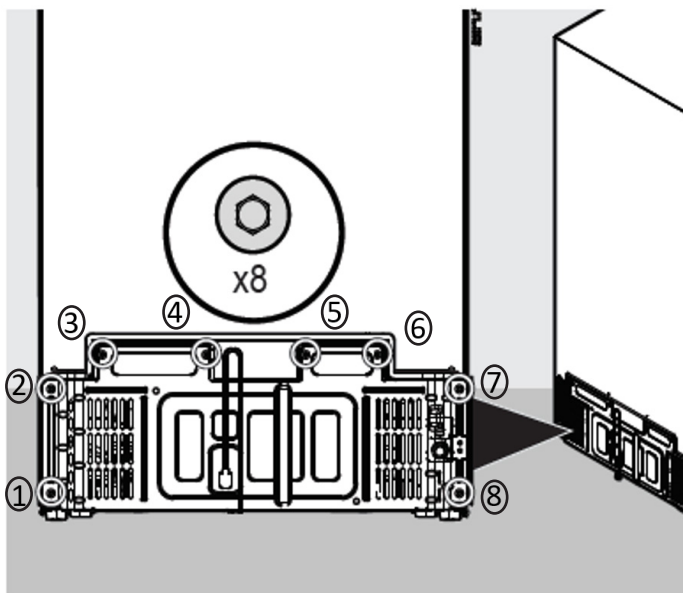
Tools Required: 1/4" nut driver

Access Cover Removal

CAUTION: Wear gloves and use extreme CAUTION when installing the PROTECTIVE rubber trim. The opening may have sharp edges.

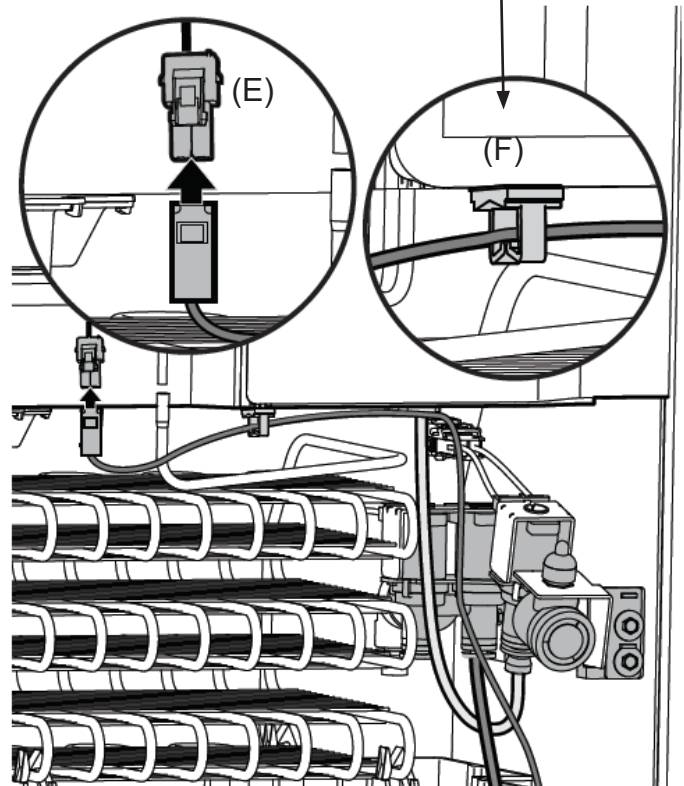
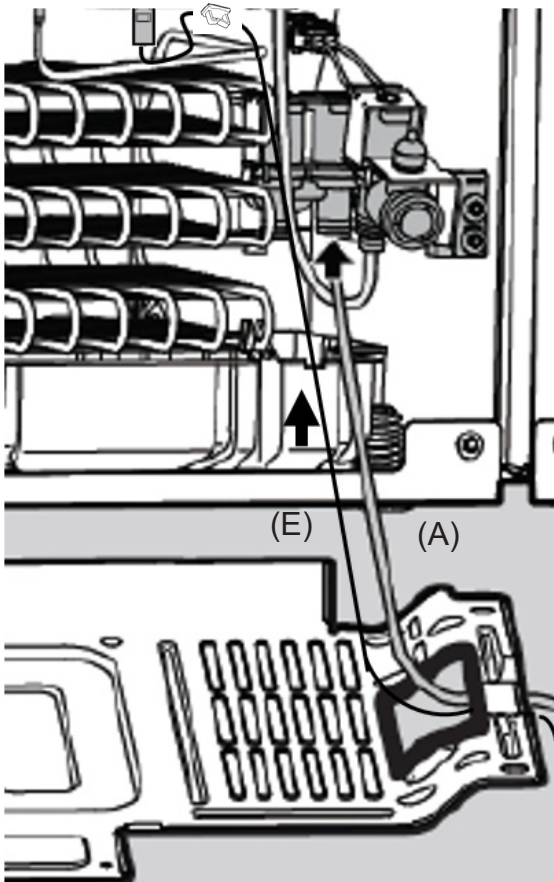
2. Apply the protective rubber trim (D) to the inside edge of water valve opening on both access covers.

1. Remove the 8 access panel screws on the refrigerator and Freezer.



INSTRUCTION SHEET**Refrigerator Connections**

1. Feed the green water line (A) and wiring harness (E) through the opening of the refrigerator access cover.
2. Push the green water line into the green port of the water valve.
3. Connect the wiring harness (E), to the connector on the refrigerator.
4. Locate wiring harness support clip at top of refrigerator machine compartment (F), and insert wiring harness to secure.

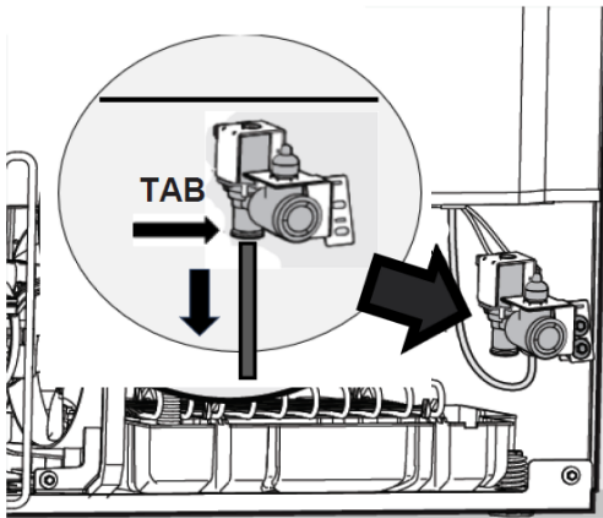


INSTRUCTION SHEET

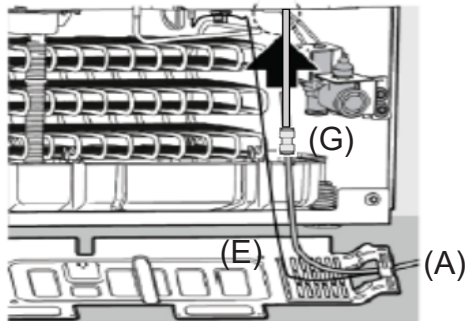
Freezer Connections

NOTE: The freezer water valve and the connecting harness are not used when this kit is installed for filtered water provided by the paired refrigerator.

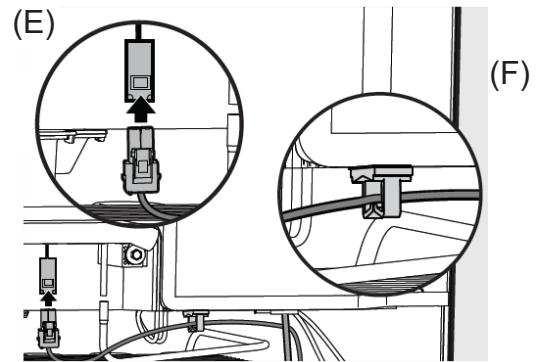
1. Disconnect the 10" Gray water line from the water valve by pushing upward on the port tab, while pulling out the line. Install union fitting on the end of the gray line.



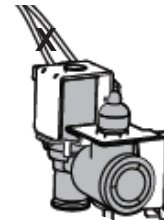
2. Feed the green water line (A) coming from the refrigerator along with the wiring harness (E) through the opening of the access cover.
 3. Push the green and gray water line into 1/4" union (G) to connect the two together.



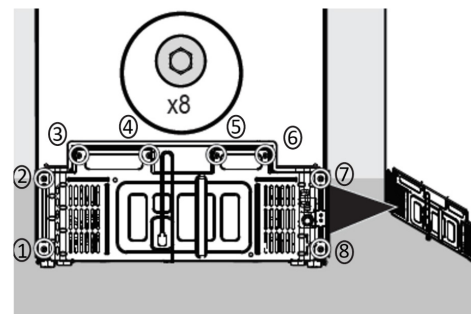
4. Connect the harness (E) from the refrigerator to the connector for the freezer. Locate wiring harness support clip at top of refrigerator machine compartment (F), and insert wiring harness to secure.



5. Disconnect the harness connection from the water valve. Not required. Water will be supplied from the refrigerator water valve.



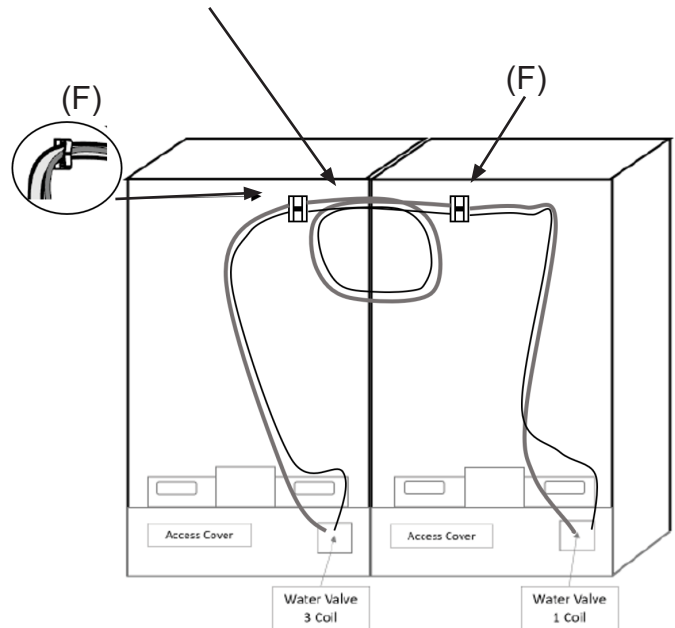
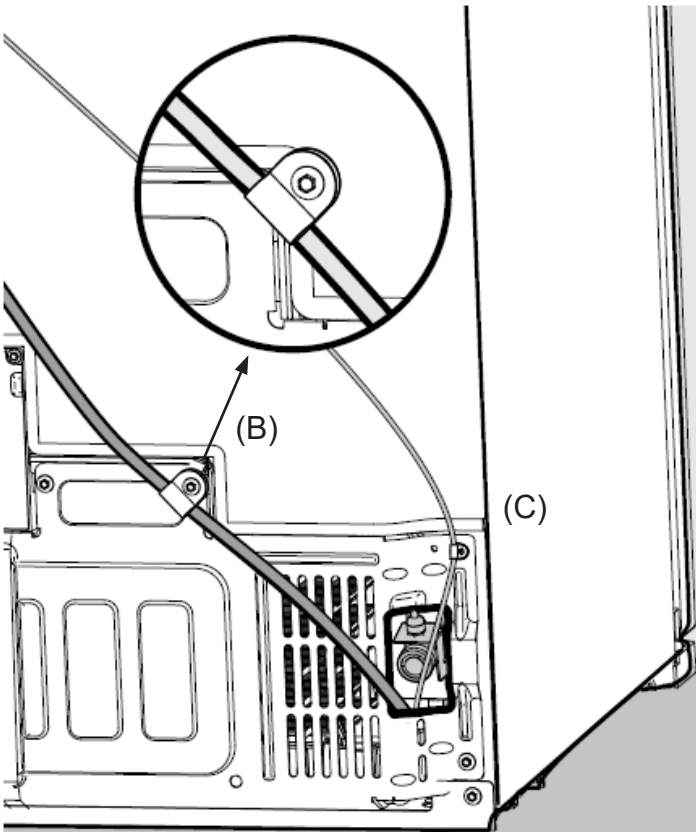
6. Reinstall access cover for both units.



INSTRUCTION SHEET**Water Line Final Connections**

1. Fasten the strain reliefs for green water line (B) and for wiring harness on each unit. (C)

2. Attach the two adhesive support clips (F) and insert the green water line and harness.
3. Loop the water line and wire harness in the center of the two units.



4. Connect and turn on water supply.
5. Purge air from water lines by dispensing water from refrigerator water dispenser.
(See Use and Care manual for details on water dispenser operation and purging method)