

Version FPMER24W3SS / Wall 24" (60 cm) - 280 CFM
Collection Potenza

FEATURES AND PROPERTIES

Materials/Finishes Scotch brite stainless steel
Control Mechanical control
Ducting type Extracting/Filtering
Installation type Wall
Lighting Led 2x1,2 W - 3200 K
Filters Metallic grease filter, removable and washable
 Charcoal filter (optional)
Ducting type
Dimensions 24 in
Minimum Electric hob distance 21 in
Minimum Gas hob distance 25 in
Notes Recommended mounting height from cooking surface to hood bottom: 24" - 35"



Photograph is for information purposes only. May not correspond to the selected version

ELECTRICAL CONNECTION AND CONSUMPTION

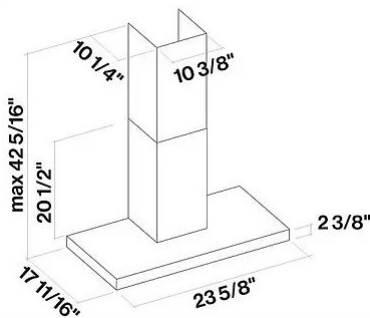
Maximum consumption 150 W
Voltage/Frequency 110-120V 60Hz
Connection type Hood comes standard with Nema 5-15P power cord

BLOWER PERFORMANCE

Motor 280 CFM
Minimum sound level 0 dB (A)re1pW I.E.C. 60704-2-13
Maximum sound level 0 dB (A)re1pW I.E.C. 60704-2-13

WEIGHTS AND DIMENSIONS

Gross weight 38 lbs
Net weight 31 lbs
Volume 7 ft
Packaging dimensions L 28 x H 18 x D24 in



OPTIONAL ACCESSORIES

| <i>Code</i> | <i>Description</i> |
|-------------|---|
| KACL.815 | Protective cleaning cloths for stainless steel (box 10 pcs) |
| 103050107 | FFCHASQC0BL - Square charcoal filter - Type 3 |
| KACL.510#3 | Extension kit h700 - Inox |
| KACL.512#3 | KIT ACC. :EXTENSION FM LINE H=960mm INOX |