

Version FPMEX30W6SS-R / Wall 30" (76 cm) - 600 CFM
Collection Potenza

FEATURES AND PROPERTIES

Materials/Finishes Scotch brite stainless steel
Technology SRS Speed reduction system
Control Electronic control
Ducting type Extracting/Filtering
Installation type Wall
Lighting Led 2x1,2 W - 3200 K
Filters Metallic grease filter, removable and washable
 Charcoal filter (optional)
Ducting type
Dimensions 30 in
Minimum Electric hob distance 21 in
Minimum Gas hob distance 25 in
Notes Recommended mounting height from cooking surface to hood bottom: 24" - 35"



Photograph is for information purposes only. May not correspond to the selected version

ELECTRICAL CONNECTION AND CONSUMPTION

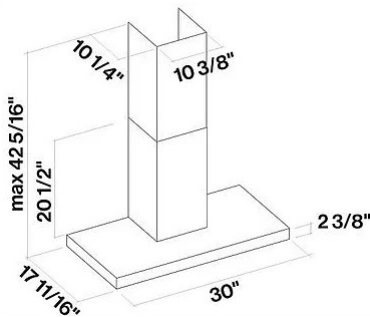
Maximum consumption 340 W
Voltage/Frequency 110-120V 60Hz
Connection type Hood comes standard with Nema 5-15P power cord

BLOWER PERFORMANCE

Motor 600 CFM
Minimum sound level 53 dB (A)re1pW I.E.C. 60704-2-13
Maximum sound level 64 dB (A)re1pW I.E.C. 60704-2-13

WEIGHTS AND DIMENSIONS

Gross weight 45 lbs
Net weight 31 lbs
Volume 11 ft
Packaging dimensions L 40 x H 21 x D24 in



OPTIONAL ACCESSORIES

Code	Description
KACL.815	Protective cleaning cloths for stainless steel (box 10 pcs)
103050107	FFCHASQC0BL - Square charcoal filter - Type 3
KACL.510#3	Extension kit h700 - Inox
KACL.512#3	KIT ACC. :EXTENSION FM LINE H=960mm INOX