

**Version** FPMEX36W6SS-R / Wall 36" (90 cm) - 600 CFM  
**Collection** Potenza

**FEATURES AND PROPERTIES**

**Materials/Finishes** Scotch brite stainless steel  
**Technology** SRS Speed reduction system  
**Control** Electronic control  
**Ducting type** Extracting/Filtering  
**Installation type** Wall  
**Lighting** Led 2x1,2 W - 3200 K  
**Filters** Metallic grease filter, removable and washable  
 Charcoal filter (optional)



Photograph is for information purposes only. May not correspond to the selected version

**Ducting type**  
**Dimensions** 36 in  
**Minimum Electric hob distance** 21 in  
**Minimum Gas hob distance** 25 in  
**Notes** Recommended mounting height from cooking surface to hood bottom: 24" - 35"

**ELECTRICAL CONNECTION AND CONSUMPTION**

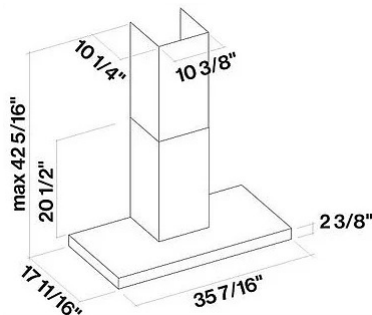
**Maximum consumption** 340 W  
**Voltage/Frequency** 110-120V 60Hz  
**Connection type** Hood comes standard with Nema 5-15P power cord

**BLOWER PERFORMANCE**

**Motor** 600 CFM  
**Minimum sound level** 53 dB (A)re1pW I.E.C. 60704-2-13  
**Maximum sound level** 64 dB (A)re1pW I.E.C. 60704-2-13

**WEIGHTS AND DIMENSIONS**

**Gross weight** 49 lbs  
**Net weight** 35 lbs  
**Volume** 11 ft  
**Packaging dimensions** L 40 x H 21 x D24 in



**OPTIONAL ACCESSORIES**

<i>Code</i>	<i>Description</i>
KACL.815	Protective cleaning cloths for stainless steel (box 10 pcs)
103050107	FFCHASQC0BL - Square charcoal filter - Type 3
KACL.510#3	Extension kit h700 - Inox
KACL.512#3	KIT ACC. :EXTENSION FM LINE H=960mm INOX