

Forno Biagio 60" Wall Mounted Range Hood Stainless Steel, 1200 CFM, Knob Control, Baffle Filter

Model: FRHWM5009-60



FEATURES AND BENEFITS

1. Dual Motor Design with 1200 CFM Airflow
2. Durable Stainless-Steel Baffle Filters
3. Knob Control
4. 3-Speed Fan Control
5. Ducted Ventilation System
6. Sleek Stainless Steel Finish



APPEARANCE

Size	60"
Style design	Wall Mount
Unit Color	Stainless steel
Ventilation Type	Ducted

FEATURES

Control type	Knob Control
Number of Hood filters	5
Hood Filter type	Baffle
Light Type	LED Bulb (gu10)
Number of Lights	4
Dimmable Lighting	Yes
Automatic Shut-Off Timer	Yes
Auto. Shut-off Timer Duration	5 min
Number of Motors	2
Duct Shape	Circular
Number of Ducts	2
Duct Size	8"

PRODUCT SPECIFICATIONS

Product Dimensions (WxDxH)(in)	59.8" x 24" x 18"
Net Weight (lbs & kg)	60lbs 27 kg
Packaging Dimensions (WxDxH)(in)	34" x 24" x 33
Shipping Weight (lbs)	Yes

CAPACITY

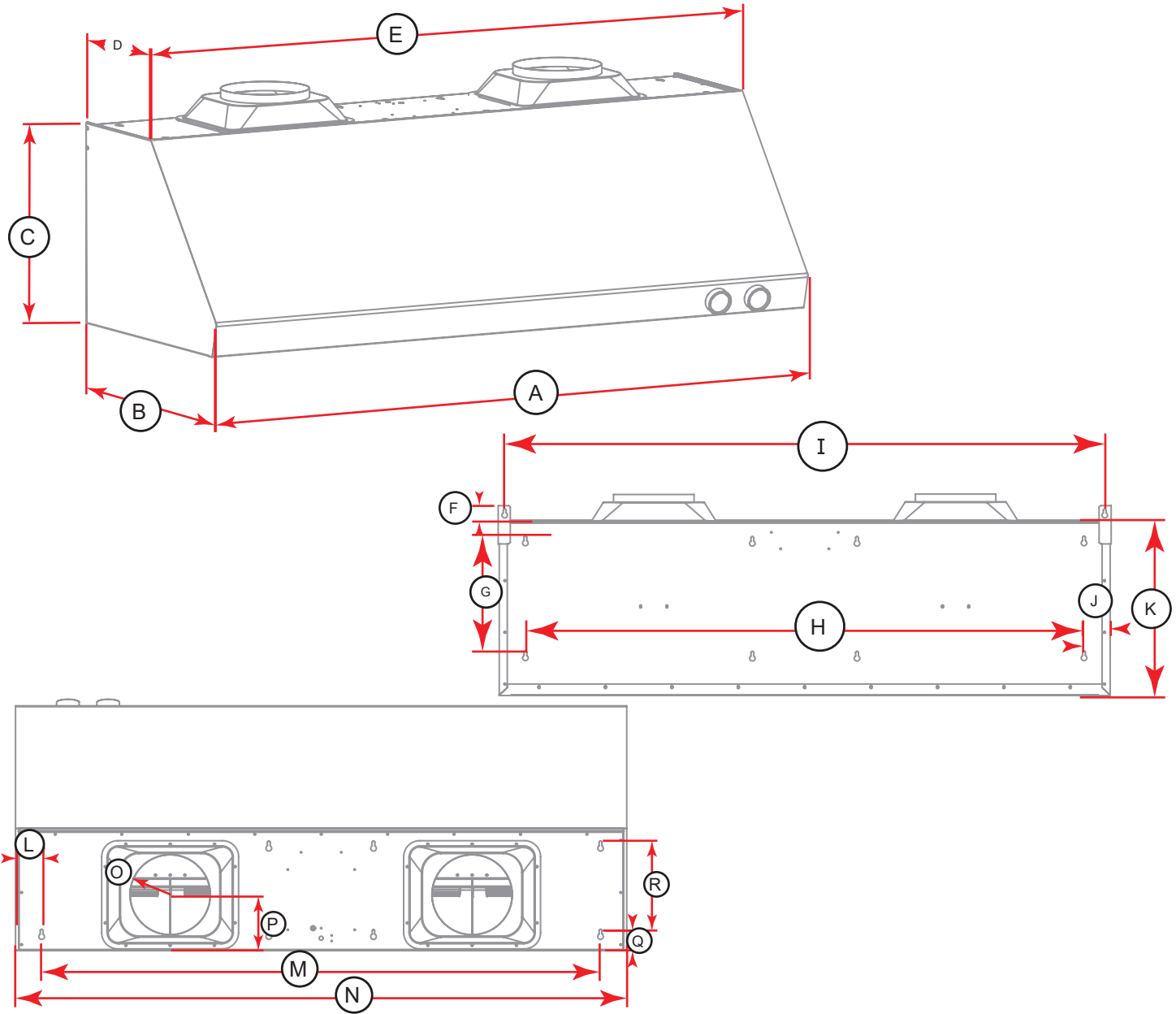
# Speed levels	3	
CFM (cubic feet per minute)	Level 1	700 CFM
	Level 2	900 CFM
	Level 3	1,200CFM
Air flow	Level 1	1,190 m3/hr
	Level 2	1,530 m3/hr
	Level 3	2,040 m3/hr
RPM (Revolutions Per Minute)	Level 1	500
	Level 2	630
	Level 3	800
Noise Level at each speed	Level 1	56 dB
	Level 2	61 dB
	Level 3	67 dB

TECHNICAL SPECIFICATIONS

Running Amperage	4 Amps
Circuit Breaker Amperage	15 Amps
Volts	120V
Motor Power	80 Watts
Frequency:	60
Receptacle Type:	Nema 5-15P
Power Cord Length (ft)	4



PRODUCT DIMENSION



A	B	C	D	E	F	G	H
Overall Width	Overall Depth	Overall Height	Depth	Width	-	-	-
59 3/4"	21 31/32"	18 1/32"	11 9/32"	59 3/4"	1 1/32"	11 13/16"	42 23/32"
151.8cm	55.8cm	37.4cm	30.4cm	151.8cm	2.6cm	25cm	138.8cm

I	J	K	L	M	N	O	P	Q	R
-	-	-	-	-	-	-	-	-	-
46 25/32"	2 9/16"	14 23/32"	2 9/16"	42 23/32"	59 3/4"	7 7/8"	5 1/2"	1 31/32"	8 21/32"
149.1cm	6.5cm	37.4cm	6.5cm	138.8cm	151.8cm	15.4cm	11.05cm	5cm	22cm