

# FORZA™

## FWD30S

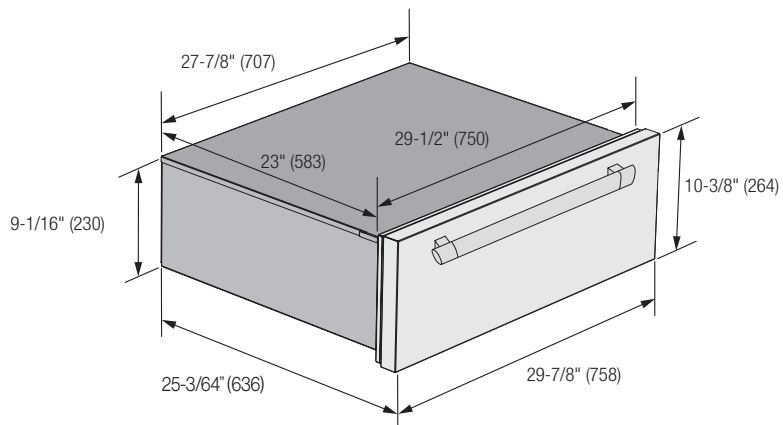
### Family Line: 30" Professional Warming drawer

30" Professional Warming drawer / Forza Radical design Aesthetics / St. steel  
Compatible with FOSP30S and FODP30S ovens

CONTROL	
Temperature range	86°F - 194°F / 30°C - 90°C
Fan assisted	•
Function Indicator / Thermostat on/off	•
PERFORMANCE	
Maximum temperature	194°F / 90°C
Cooking at low temperature (slow cooking)	•
Leavening	•
Heating dishes and food	•
Slow close assistance	•
Open / Close push - pull system	-
ELECTRICAL SPECIFICATIONS	
Max power absorbed (W)	1100 W
Power (V/Hz)	120/60
Power cord	59"
Plug	NEMA 5 -15P
CAPACITY	
Volume	2,1 cbft (61.4 lt)
DIMENSIONS	
Overall dim - width	29 7/8" (758 mm)
Overall dim - height	10 3/8" (264 mm)
Overall dim - depth	23" (583 mm)
Door Depth with handle	5 15/16" (151 mm)
Cutout - width	28 7/16" (722 mm)
Cutout - height (min)	9 21/64" (237 mm)
Cutout - depth (min)	24" (610 mm)
TECHNICAL FEATURES	
Net Weight	68.5 lbs - 31.0 kg
Gross Weight	75.2 lbs - 34.1 kg
Warranty	2 years parts & labor



## PRODUCT TECHNICAL DRAWING



## INSTALLATION TECHNICAL DRAWINGS

Installation below a single oven

Installation below a double oven

