

FZU18L



Product family	Freezers
Installation	Built-in
Category	One Door
Reference width	Until 60
Reference height	Higher than 200
Cooling type	No-frost
Hinge	Door-to-door
Hinge position	Left



Aesthetic

Aesthetics	Universal	Drawers profile color	White
Material	Steel	Display	TFT
Side material	Metal		

Freezer features



Freezer lighting	Yes
Freezer lighting	LED
Number of drawers	3

Other Freezer features

Ice maker	Automatico
-----------	------------

Other technical features



Display functions	Holiday, Fast-freezing, MultiZone, Sabbath	Type of temperature control	Electronic
Fast-freezing button	Yes	No. of compressors	1
Power-on light	Yes	Refrigerant gas type	R600a
Door-open alarm	Yes	Type of compressor	Inverter
Temperature Alarm	Yes	Refrigerant quantity	59 oz
Antibacterial Gasket	Yes		

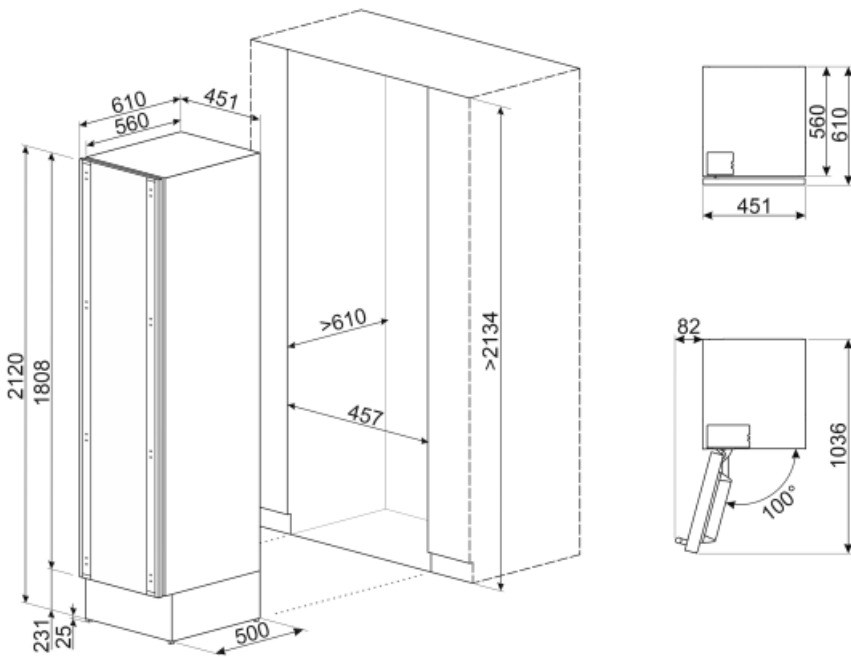
Metal panel on the back Metal
of the fridge

Performance / Energy Label NEW

Annual energy consumption	480 KWh/year	Climatic class	SN, N, ST, T
Total volume	61.3 gal		

Electrical Connection

Plug	(B) USA 120V	Frequency (Hz)	60 Hz
Current	2,5 A	Power cord length	78 3/4 "
Voltage	115 V		



Symbols glossary (TT)



Fast freezing: The fast freezing function brings the temperature of the compartment down when activated a few hours prior to usage.



LED interior lighting: is a more energy efficient and long lasting way of illuminating the interior of the appliance.



Multizone: Multizone compartment can be used as a refrigerator or a freezer compartment. Depending on your needs and eating habits, you can select settings, program the temperature using.



Power saving mode: The power saving mode allows you to disable the refrigerator and keep the freezer working.



Inverter technology: The evolution of Smeg's driers towards more intelligent and environmentally sustainable models has led to the choice of using Inverter technology with heat pumps, which reduces significantly energy consumption.



No Frost: The No Frost and Frost free systems prevent ice from forming so that no defrosting is required.