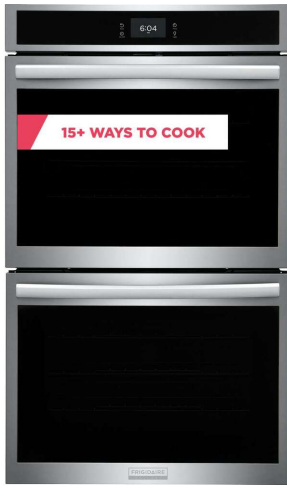


# FRIGIDAIRE

## GALLERY



### 30" Double Electric Wall Oven with Total Convection

Double Wall Oven

Available Products: GCWD3067AD, GCWD3067AF

Available Colors: Black Stainless Steel, Stainless Steel

Version: 08/24

## Product Specifications

### Cooking Controls

Air Fry	Yes
Air Sous Vide	Yes
Bake	Yes
Bake Time	Yes
Bread Proof	Yes
Broil	Yes
Cancel	Yes
Child Lock	Yes
Clear Off	Yes
Clock	Yes
Convection Bake	Yes
Convection Roast	Yes
Cook Time	Yes
Dehydrate	Yes
Delay Clean	Yes
Delay Start	Yes
Fast Preheat	Yes
Keep Warm	Yes
Kitchen Timer	Yes
Light	Yes
My Favorite	Yes
No Preheat	Yes
Off	Yes
Oven Light	Yes
Perfect Turkey	Yes
Preheat	Yes
Probe	Yes
Quick Preheat	Yes
Self Clean	Yes
Set Clock	Yes
Slow Cook	Yes
Start	Yes
Start Time	Yes
Steam Bake	Yes
Steam Clean	Yes
Steam Roast	Yes
Stop	Yes
Temperature Display	Yes
Timed Bake	Yes
Timer On / Off	Yes
User Preferences	Yes

### Cooking Controls Function

Change between Continuous Bake Setting or 12-Hour Energy Saving Feature	Yes
Delayed Bake	Yes
Program Fahrenheit or Celsius	Yes
Silent Control Panel	Yes
Timed Cooking	Yes

### Controls

Control Lock	Yes
Sabbath Mode	Yes

### Dimensions and Volume

Height	50 3/4"
Width	29 7/8"
Depth	25 3/16"
Depth With Door 90° Open	48 3/16"
Depth With Handle	27 3/5"
Lower Oven Interior Height	18 1/8"
Lower Oven Interior Width	25 1/5"
Lower Oven Interior Depth	19 7/8"
Upper Oven Interior Height	18 1/8"
Upper Oven Interior Width	25 1/5"
Upper Oven Interior Depth	19 7/8"
Minimum Cutout Height	48 7/8"
Minimum Cutout Width	28 1/2"
Maximum Cutout Height	50 1/4"
Maximum Cutout Width	29"
Oven Lower Capacity	5.3 Cu. Ft.
Oven Upper Capacity	5.3 Cu. Ft.
Total Capacity	10.6 Cu. Ft.

### Installation

Power Supply Connection Location	Top Left
----------------------------------	----------

### Safety Certifications and Approvals

CSA Listed	Yes
RoHS	Yes
UL Listed	Yes

For planning purposes only. We reserve the right to change specifications or discontinue models without notice. Refer to Product Installation Guide for detailed installation instructions on the web at [frigidaire.com / frigidaire.ca](http://frigidaire.com/frigidaire.ca) Electrolux Major Appliances, N.A.

USA • 10200 David Taylor Drive • Charlotte, NC 28262 • Charlotte, NC 28262 • 1-877-4electrolux (1-877-435-3287) • [frigidaire.com](http://frigidaire.com)  
CANADA • 5855 Terry Fox Way • Mississauga, ON L5V 3E4 • 1-800-265-8352 • [frigidaire.ca](http://frigidaire.ca)

**Oven**

Bake Element	2500 Watts
Bake Element Pass	8
Bake Element Type	Hidden
Broil Element	4000 Watts
Broil Element Pass	6
Broil System	Yes
Cleaning System	Yes
Convection	Yes
Convection Element	3800 Watts
Convection Type	Total
Number of Convection Fans	1
Number of Rack Positions	6
Oven Interior Color	Midnight Black
Oven Light Quantity	2
Oven Light Type	Halogen
Oven Light Watts	40 Watts
Rack Position Type	Embossed
Rack Type 1	Flat
Rack Type 1 Quantity	5
Rack Type 2	Glide
Rack Type 2 Quantity	1

**Display**

Display Interface Color	White
Display Light Color	White
Display Type	Capacitive Touch

**Electrical Specifications**

Amps @ 240 Volts	40 Amps
Connected Load @ 240V	9 kW
Minimum Circuit Required	40 Amps
Voltage Rating	240 V

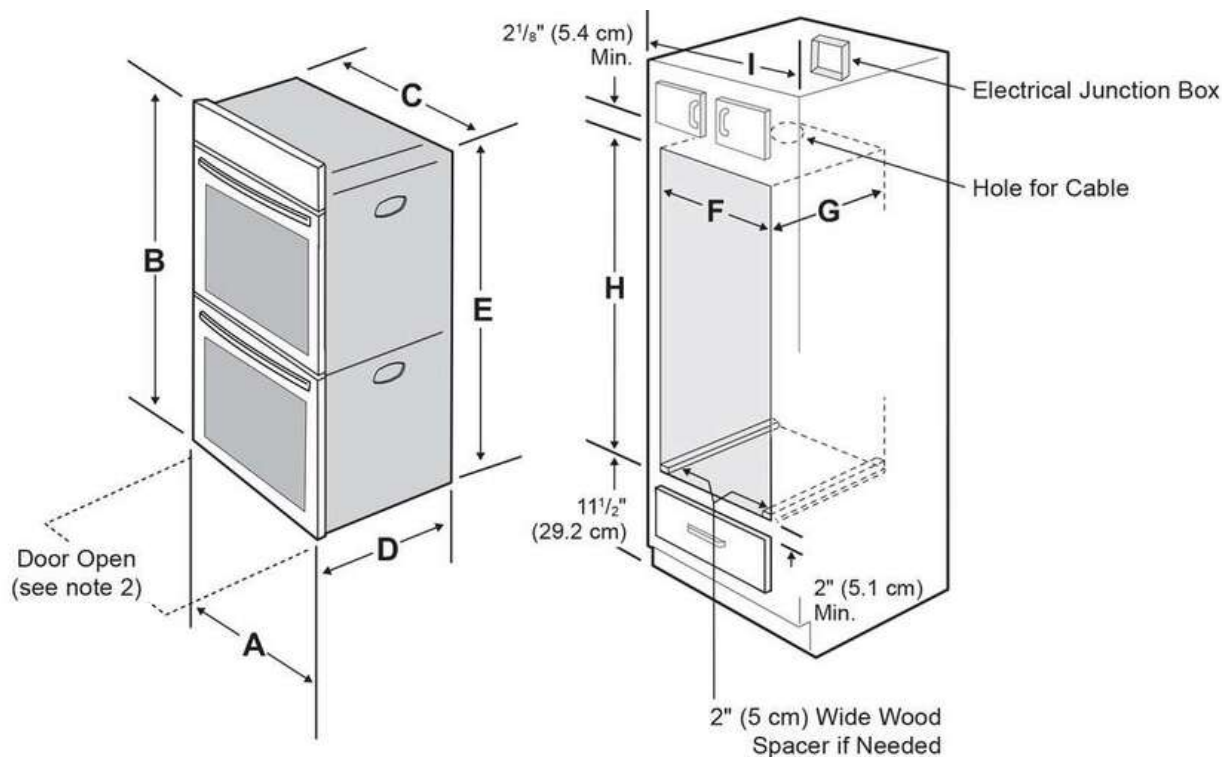
**General Specifications**

Frigidaire Fit Promise	Yes
Prop 65 Label	Yes
Warranty - Labor	1 Year
Warranty - Parts	1 Year
AB-1200	Information available at <a href="http://frigidaire.com/en/ab1200">frigidaire.com/en/ab1200</a>

**Accessories**

Optional Air Fry Tray Part Number	FRIGPEREAFT
Optional Trim Kit Part Number	WOMC3TRIMSS, WOMC3TRIMDSS

### Installation Diagram



**NOTES:**

1. Allow at least 23" (58.4 cm) clearance in front of oven for door depth when it is open.
2. Dimension G (cutout depth) is critical to the proper installation of the built-in oven. If the oven trim does not butt against the cabinet, or if noise is heard on convection models, verify dimension G to assure it is according to the required dimension.
3. For a cutout height greater than the maximum (H), add one 2" (5 cm) wide wood shim of appropriate height to each side of the opening under the appliance side rails. A trim kit may be purchased through a dealer, service, or on the brand website.

PRODUCT DIMENSIONS					
A	B	C	D		E
29 <sup>7</sup> / <sub>8</sub> (75.9 cm)	50 <sup>3</sup> / <sub>4</sub> (128.9 cm)	28 <sup>7</sup> / <sub>16</sub> (72.2 cm)	25 <sup>3</sup> / <sub>16</sub> (63.9 cm)		48 <sup>7</sup> / <sub>8</sub> (124.1 cm)
CUTOUT DIMENSIONS AND CABINET WIDTH					
F		G	H. Standard Height (**Others, see note 3)		I
Min.	Max.	Min.	Min.	Max.	
28 <sup>1</sup> / <sub>2</sub> (72.4 cm)	29 (73.7 cm)	23 <sup>1</sup> / <sub>2</sub> (59.7 cm)	48 <sup>7</sup> / <sub>8</sub> (124.1 cm)	50 <sup>1</sup> / <sub>4</sub> (127.6 cm)	30 <sup>1</sup> / <sub>8</sub> (76.5 cm) Min