



**INDOOR / OUTDOOR
UNDERCOUNTER REFRIGERATION**
Beer Dispensers

Installation Manual

 HESTAN



TABLE OF CONTENTS

2	SAFETY DEFINITIONS
3	MODEL NUMBERS
3	KEG LAYOUT
4	RATING LABEL
4	REGULATORY/CODE REQUIREMENTS
4	SAFETY
6	CABINET INSTALLATION
9	DOOR INFORMATION
11	INSTALLATION OF DISPENSING EQUIPMENT
17	CONNECTING THE REGULATOR TO THE CO ₂ CYLINDER
19	DISPOSAL

EN

READ THESE INSTRUCTIONS CAREFULLY AND COMPLETELY BEFORE INSTALLING OR USING YOUR APPLIANCE TO REDUCE THE RISK OF FIRE, SHOCK HAZARD, OR OTHER INJURY. KEEP THIS MANUAL FOR FUTURE REFERENCE.

IMPORTANT! The installation of the actual beer dispenser cabinet should happen prior to installing the dispensing equipment. Refer to the Cabinet Installation section of this manual for step-by-step instructions.

IMPORTANT! Read and understand all information in this manual before attempting the installation. All plumbing and electrical work must be performed by a qualified technician and conform to all applicable state and local codes.

INSTALLER: LEAVE THIS MANUAL WITH THE OWNER OF THE APPLIANCE. HOMEOWNER: RETAIN THIS MANUAL FOR FUTURE REFERENCE.



SAFETY DEFINITIONS

▲ DANGER

THIS INDICATES A HAZARD THAT WILL RESULT IN SERIOUS INJURY OR DEATH IF PRECAUTIONS ARE NOT FOLLOWED.

▲ WARNING

THIS INDICATES A HAZARD THAT MAY RESULT IN SERIOUS INJURY OR DEATH IF PRECAUTIONS ARE NOT FOLLOWED.

▲ CAUTION

THIS INDICATES A HAZARD WHERE MINOR INJURY OR PRODUCT OR PROPERTY DAMAGE MAY OCCUR IF PRECAUTIONS ARE NOT FOLLOWED.

NOTICE

THIS INDICATES THAT PRODUCT OR PROPERTY DAMAGE MAY OCCUR IF PRECAUTIONS ARE NOT FOLLOWED.

▲ DANGER RISK OF FIRE OR EXPLOSION - FLAMMABLE REFRIGERANT USED. Consult repair manual/owners guide before attempting to service this product. All safety precautions must be followed. To be repaired by trained service personnel only. Use caution when handling, moving and using the product to avoid damaging the refrigerant tubing or increasing the risk of a leak.

▲ WARNING All service work shall be performed by factory authorized service personnel and all component parts shall be replaced with like components to minimize the risk of possible ignition due to incorrect parts or improper service.

▲ CAUTION If service is necessary, repair work must be performed by a Hestan authorized servicer. Work done by unqualified individuals could potentially be dangerous and will void the warranty.

SAFETY DEFINITIONS *(continued)*

NOTICE This product contains blown foam insulation using blowing agent R-611 (Methyl Formate). The foam in this product does not contain HFC's, CFC's, or HCFC's.

All models covered in this manual are manufactured using refrigerant R600a (Isobutane). R600a is a hydrocarbon. This refrigerant is flammable and is only allowed for use in appliances which fulfill the requirements of UL/IEC 60335-1 and UL/IEC 60335-2-24 (To cover potential risk originated from the use of flammable refrigerants). Consequently, R600a is only allowed to be used in refrigerating appliances which are designed for this refrigerant and fulfill the above-mentioned standard.

- R600a is heavier than air. The concentration will always be highest at the floor level.
- The explosion limits are as follows:
 - Lower Limit: 1.8% by volume
 - Upper Limit: 8.4% by volume
 - Ignition Temperature: 860°F [460°C]

MODEL NUMBERS

Model No.	Description
GFDS_241	INDOOR / OUTDOOR SINGLE FAUCET BEER DISPENSER, SOLID DOOR, 24"
GFDS_241-XX	INDOOR / OUTDOOR SINGLE FAUCET BEER DISPENSER, SOLID DOOR, COLOR, 24"
GFDS_242	INDOOR / OUTDOOR DOUBLE FAUCET BEER DISPENSER, SOLID DOOR, 24"
GFDS_242-XX	INDOOR / OUTDOOR DOUBLE FAUCET BEER DISPENSER, SOLID DOOR, COLOR, 24"



GFDSR241
shown

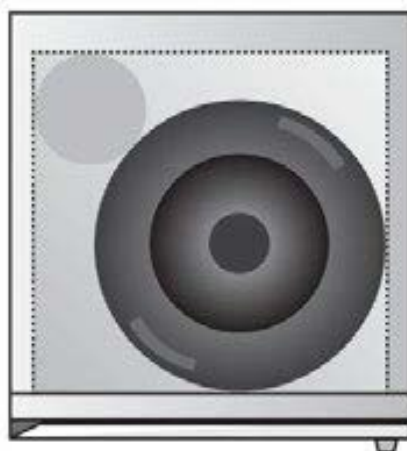


GFDSR242
shown

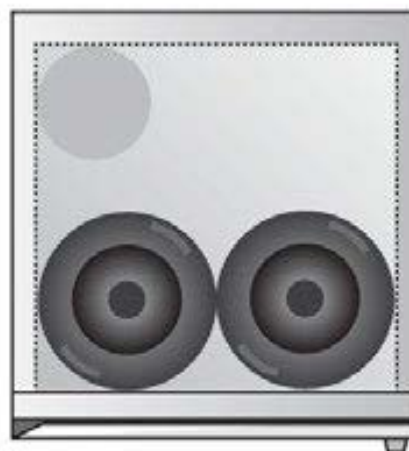
_ = Right (R) or Left (L) Hinged Model

KEG LAYOUT

The following standard beer kegs fit inside these units.



One 1/4 barrel
Standard = $\varnothing 16\text{-}\frac{1}{8}\text{''} \times 13\text{-}\frac{7}{8}\text{''}$ H - 7.75 Gal [29.3 l]
Slim = $\varnothing 11\text{-}\frac{1}{8}\text{''} \times 23\text{-}\frac{3}{8}\text{''}$ H - 7.75 Gal [29.3 l]

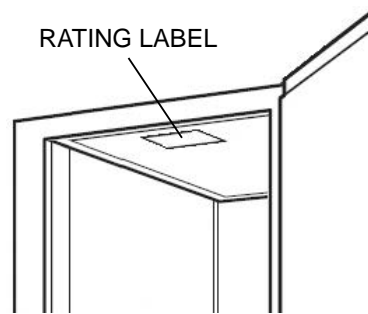


Two 1/6 barrel
 $\varnothing 9\text{-}\frac{1}{4}\text{''} \times 23\text{-}\frac{3}{8}\text{''}$ H - 5.16 Gal [19.8 l]



RATING LABEL

The rating label contains important information about your Hestan appliance such as the model and serial number, and refrigerant information if service is required.



The rating label is attached to the inside top of the cabinet.



REGULATORY / CODE REQUIREMENTS

Installation of this appliance must be made in accordance with local codes. In the absence of local codes, this unit should be installed in accordance with the National Electrical Code and local codes.

This appliance must be electrically grounded in accordance with local codes or in the absence of local codes with the National Electrical Code *ANSI/NFPA 70*, or Canadian Electrical code *CSA C22.1*.



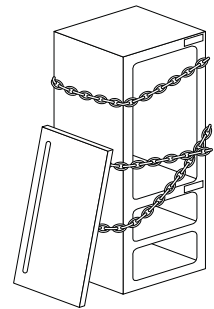
SAFETY

CHILD SAFETY

⚠ DANGER Risk of child entrapment. Before you throw away your old refrigerator or freezer:

- Take off the doors.
- Leave the shelves in place so that children may not easily climb inside.

NEVER allow children to play inside the appliance.



PRIOR TO INSTALLATION

Carefully inspect cabinet for hidden damage. If damage is discovered, file your claim immediately with the transport company. Hestan is not responsible for damage in transit. Remove any packaging materials before operating.

⚠ DANGER RISK OF FIRE OR EXPLOSION - FLAMMABLE REFRIGERANT USED. Use caution when handling, moving and using the product to avoid damaging the refrigerant tubing or increasing the risk of a leak.

⚠ CAUTION When moving the unit, be sure to protect finished flooring with appropriate material to avoid damage from moving the unit. Do not lift unit by drawer, shelving or door handles, as damage to the unit could occur if not moved as instructed.

⚠ WARNING To prevent personal injury, a minimum of two people are required to lift the unit. Larger units may require additional personnel.

Before moving the unit, secure the door shut with tape to prevent door from swinging open while being moved. Carefully move unit to installation site and place in front of opening.

⚠ CAUTION If unit has been laid on its back or sides, place unit upright and allow a minimum of 24 hours before connecting power.

PLUMBING

Aside from connections to the beer tap and keg (see page 11), no other plumbing connections are required. Condensate from the cooling coil is automatically evaporated through a condensate pan located in the condensing section of the unit.

SAFETY (continued)



▲DANGER

HIGH-PRESSURE GAS

- Keep CO₂ cylinder away from heat. The rupture disc vents at 122°F [50°C] max.
- Do not drop or throw regulator or CO₂ cylinder.

▲WARNING

- Allow only properly trained and experienced personnel to handle high-pressure gas.
- Do not apply oil to the regulator!

▲DANGER

ELECTRICAL SHOCK HAZARD

Disconnect power before installing or servicing appliance. Failure to do so can result in death or electrical shock.

▲WARNING

ELECTRICAL GROUNDING

- This appliance must be grounded. Grounding reduces the risk of electric shock in the event of a short circuit.
- DO NOT ground to a gas pipe.
- DO NOT use an extension cord with this appliance.
- DO NOT have a fuse in the NEUTRAL or GROUNDING circuit. A fuse in the NEUTRAL or GROUNDING circuit could result in an electrical shock.



ELECTRICAL SUPPLY

A 115 volt AC, 60 Hz, 15 Amp circuit breaker and electrical supply is required. A Ground Fault Circuit Interrupter (GFCI) protected circuit must be used when installed outdoors.

This appliance is NOT designed for installation in manufactured (mobile) homes or recreational park trailers.

All units are provided with a 5 ft [1.5 m] cord with three-prong grounding plug. It is imperative that this plug be connected to a properly grounded three-prong receptacle. If the receptacle is not the proper grounding type, contact an electrician. The receptacle must be flush or recessed into the wall surface behind the unit.

- Never remove the grounding prong from this plug.
- Never use a 2-prong adapter.
- If a 2-prong receptacle is encountered, or a longer power cord is required, contract a qualified electrician to have it replaced in accordance with applicable electrical codes.

▲WARNING

Inspect the electrical cord and plug for damage prior to energizing the unit to avoid potential electric shock.

NOTICE

The unit must NOT be totally enclosed or damage may occur. Air circulation must not be restricted. The condenser at the cabinet front must be provided with a minimum of 2" [5 cm] air space. Be sure to provide access so the front cover can be removed to clean the condenser.

▲CAUTION

Do not attempt to operate the equipment on any power source / voltage other than that listed on the Electrical Specification Plate attached to the unit.

▲DANGER

Do not store flammable liquids (i.e. Gasoline or Lighter Fluid) or vapors near the appliance to avoid a fire.

ADDITIONAL GENERAL INFORMATION

All electrical instructions assume the outlet is located 4 - 10" [10 - 25 cm] above the floor surface.

Floor must be level in area of installation. Leg levelers are used for fine-tune adjustment only and should not be used to compensate for floor differences exceeding 1/2" [13 mm].



CABINET INSTALLATION

⚠ DANGER RISK OF FIRE OR EXPLOSION - FLAMMABLE REFRIGERANT USED. Use caution when handling, moving and using the product to avoid damaging the refrigerant tubing or increasing the risk of a leak.

CASTER KIT (OPTIONAL)

A Caster Kit (AGCK24) is available for Hestan refrigeration models. Refer to the instructions supplied with the caster kit for proper installation.

Note: Installation of the kit adds 3.75" [9.5 cm] to overall height of the unit.

ANTI-TIP BRACKETS

Unit may tip forward if loaded racks/shelves are all pulled out at the same time. To prevent tipping, and to provide stable installation, the unit must be secured in place with the anti-tip brackets supplied with the unit. The anti-tip brackets, when properly installed, should secure the rear legs/glides to the mounting surface and prevent the unit from tipping forward.

NOTICE Anti-tip brackets are only used for stationary cabinets and should not be installed on cabinets with accessory casters.

If installing on a concrete floor, concrete fasteners are required and not included with the anti-tip kit.

Some installation sites may require modifications to provide a secure surface for attaching the brackets.

A set of anti-tip brackets is supplied with the unit. These brackets should be attached to the floor at the rear of the unit. Each bracket must be located to engage the rear legs when the cabinet is pushed back into position. Refer to Figure 1 (shown below) for anti-tip bracket mounting locations.

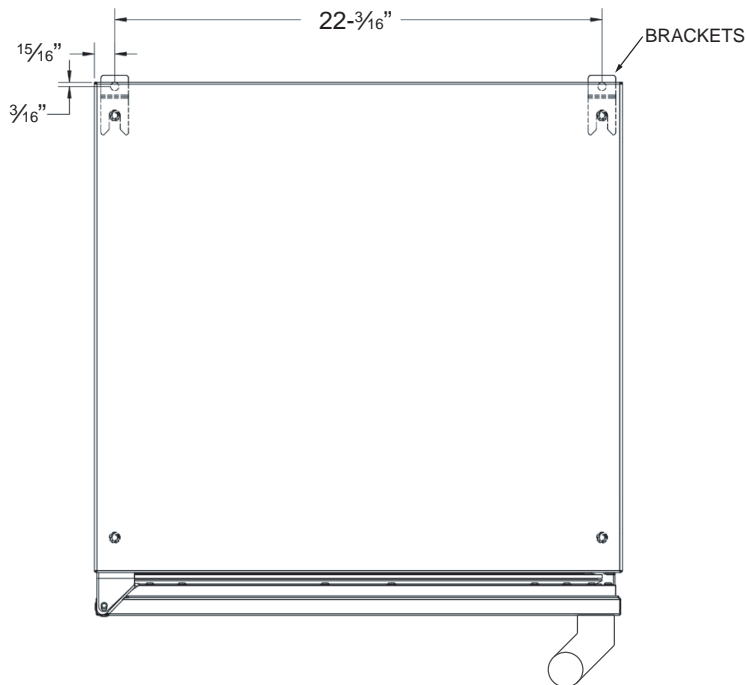


Figure 1. 24" Anti-Tip Kit

PREPARING THE SPACE

⚠ CAUTION

If the unit is to be installed under a countertop, it is recommended that the countertop be supported by a structure other than the unit itself to prevent damage to the unit.

Make sure the floor under the unit is level with the surrounding finished floor. Protect a finished floor with plywood, cardboard, or some other suitable material before moving the unit into place. Failure to do this may result in damage to the floor.

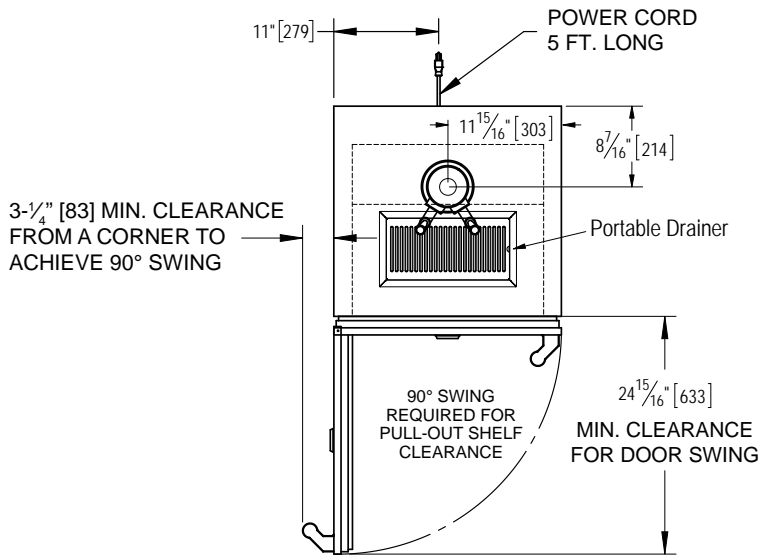
CABINET INSTALLATION *(continued)*



To assure maximum performance, fresh air must be allowed to circulate through the machinery compartment. Do not place anything in front of the unit that would obstruct air flow at these front grilles. Do not place the unit in an unventilated small room.

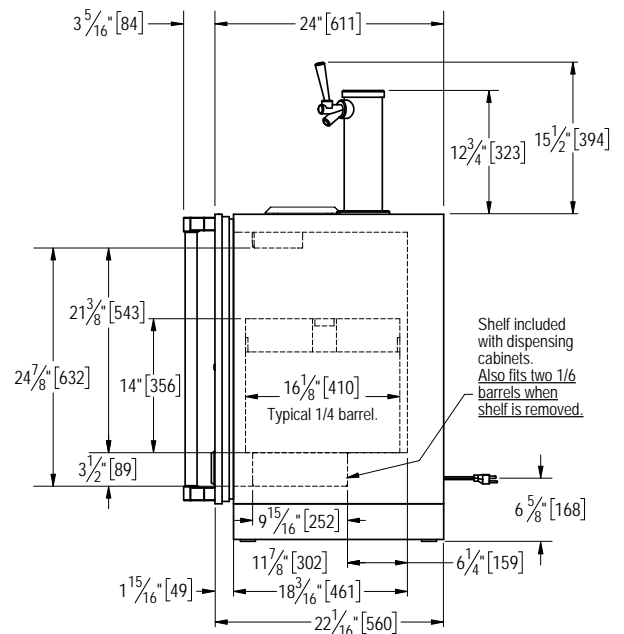
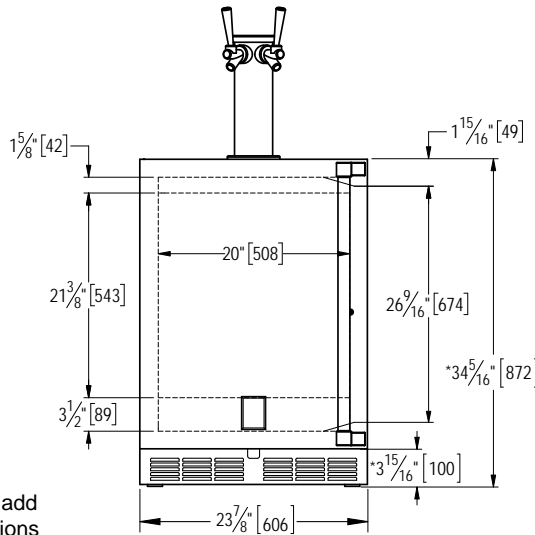
NOTICE Cabinet should be leveled front to back, then side to side.

1. Make sure the space opening is correctly sized for the unit. See typical appliance dimensions below, and the chart below for finished rough opening requirements:



TYPICAL APPLIANCE DIMENSIONS

CUTOUT DIMENSIONS:
34-3/8" H - 24" W - 24" D
[873] H - [609] W - [609] D



* - Leg levelers can add 3/4" to these dimensions when fully extended.

HEIGHT	WIDTH	DEPTH
34-3/8" [87.3 cm] min.	24" [61 cm]	24" [61 cm]
35-1/2" [90.2 cm] max.		

2. Check that the following are level and square:

- Front and interior opening
- Installation opening and floor surface
- Countertop bottom front edge

NOTE: For a door to open properly, the door must open a minimum of 90°. Use a minimum 3" [7.6 cm] filler in corner installations to assure a full 90° opening. Allow 25" [64 cm] clearance in front of unit for full door swing and shelf/drawer pull out.

NOTE: The floor under the unit must be at the same level as the surrounding finished floor.



CABINET INSTALLATION *(continued)*



To prevent possible damage to the countertop, do not place heavy objects on countertop directly over unit.

INSTALLING THE UNIT INTO THE SPACE

1. Plug the unit into the 15 amp grounded electrical outlet located within the installation opening. With power applied to the unit, check that the lighting and cooling functions operate properly. Turn off the power to the wall outlet at the circuit breaker.
2. With all surfaces in the installation opening square and level, refer to Figure 2 below and perform the following steps to level the unit:
 - At the front of the opening, measure from the floor to the bottom of the front edge of the countertop.
 - Measure from the floor surface to the top of the unit at the rear corners.
 - Adjust the unit legs so these two measurements are equal. Using an adjustable wrench or pliers, turn legs clockwise to lower the unit or counterclockwise to raise it.

NOTE: Legs should not extend more than 3/4" [19 mm] from the bottom of the unit.

3. Slide the unit into position in the opening. Make sure the rear leveling legs slide under the anti-tip brackets. Push the unit into the opening until the bottom front edge of the unit is flush with the surrounding cabinetry, or until the rear legs are tight against the anti-tip brackets.
4. Shim the front of the unit so the front face is flush with the surrounding cabinetry. Adjust the front legs to support the countertop at the shimmed height. Using an adjustable wrench or pliers, turn the legs clockwise to lower the unit or counterclockwise to raise it. Countertop should be resting on top of the unit.

NOTE: Countertop should be resting evenly on entire top of the unit. Shim if necessary to prevent damage to the countertop.

5. Check interior door openings to make sure the unit is level and square. Install shelving.
6. Turn on the power to the wall outlet at the circuit breaker.

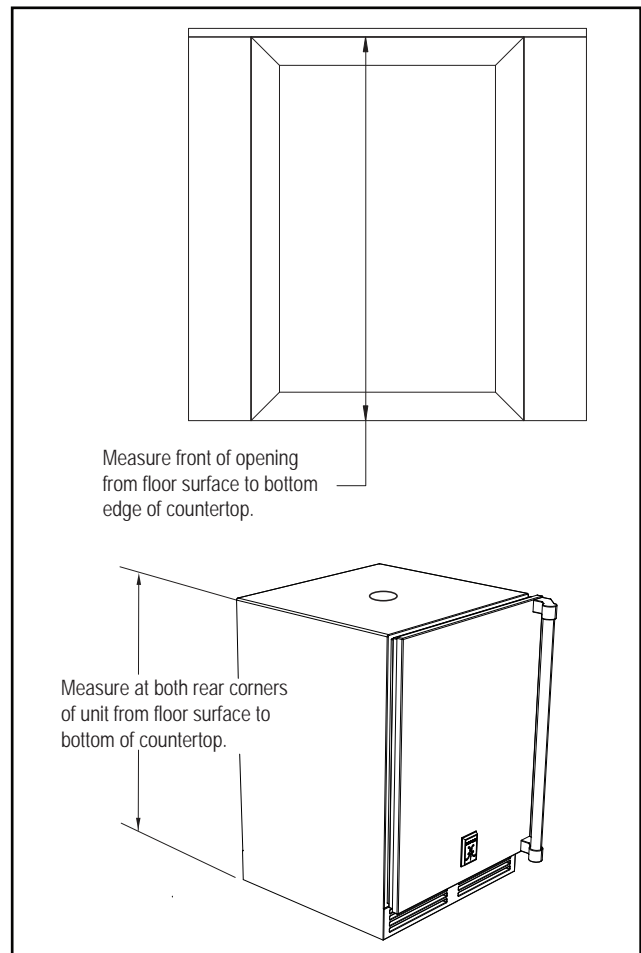


Figure 2. Leveling the Unit

CABINET INSTALLATION *(continued)*



INSTALLING THE FRONT GRILLE COVER

Once the unit is secured in place, install the louvered front grille cover. Secure the cover by snapping the latch into the latch catch on the unit (Figure 3).

The vent grille must be removed to service the unit. The floor cannot interfere with removal, and the louvered sections must not be covered or obstructed. Obstructions could prevent proper air circulation, which may damage the unit.

NOTE: To achieve maximum performance, interior louver openings and fan guard openings should never be obstructed.

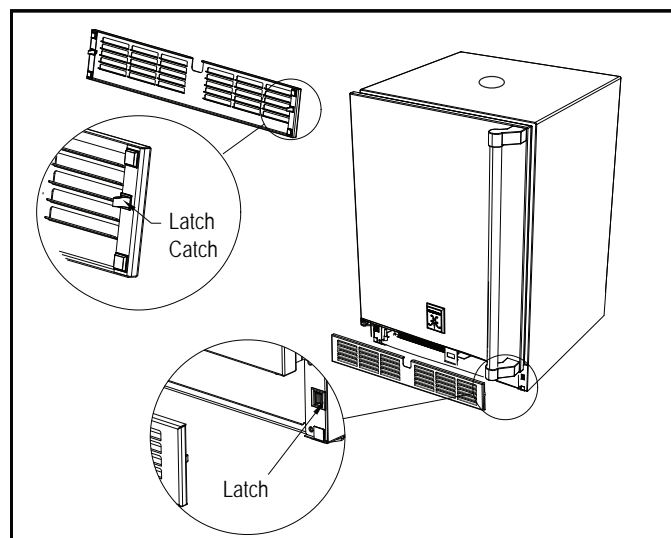


Figure 3. Front Grille Cover Installation

EN

DOOR INFORMATION



DOOR OPTIONS

Hestan residential units can be converted from stainless steel to overlay panels to match existing cabinetry. Solid doors are shipped from the factory with stainless steel panels and handles in place on the unit. All stainless steel doors are convertible to fully integrated models, ready to accept custom panels from your cabinetry supplier. You can contact Hestan Customer Care to send you any of the following templates, or download directly from the Hestan website at www.hestanoutdoor.com.

028370 - Template, Overlay, 24" Solid Door, Undercounter Refrigeration

028371 - Template, Overlay, 24" Toe Kick/Grille, Undercounter Refrigeration

028374 - Installation Instructions, Overlay Door/Drawer, Undercounter Refrigeration

Take care in choosing the correct template for your specific unit. The original appliance handle or custom cabinet handle can be installed onto your overlay panel.

HANDLE INSTALLATION

CAUTION

The handle mounting on the wood overlay should be mounted on the overlay only (not the actual door) to avoid damage to the factory door. Proper woodworking materials and equipment should be used to avoid damage or errors in workmanship.

1. Handle must be attached to the overlay before mounting the overlay onto the door. Mark the rear of the wood overlay panel with handle fastening locations.
2. Drill through the wood overlay panel at marked locations, taking care not to damage the panel.
3. Countersink screw heads so that screw heads are flush with the back side of the panel. Attach the handle to the overlay panel.



DOOR INFORMATION (continued)

DOOR LOCK INSTALLATION

CAUTION

Proper woodworking materials and equipment should be used to avoid damage or errors in workmanship.

NOTE: Lock installation information is available on the above-mentioned template drawings. Take care in choosing the correct template for your specific model.

When installing to an overlay panel, perform the lock installation before mounting the overlay to the door!

1. See Figure 5. Attach mounting bracket to overlay panel.
2. Insert lock body and attach with nut. Re-install remaining parts as shown.

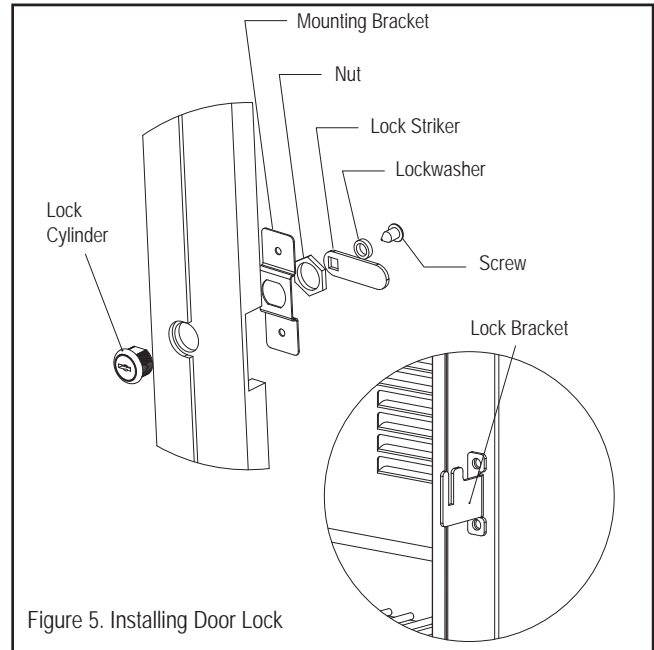


Figure 5. Installing Door Lock

OVERLAY INSTALLATION

Before beginning installation, check all components for proper fit and finish.

NOTE: For more detailed installation information, please request or download document 028374 mentioned on the previous page.

CAUTION

For best performance and functionality, the overlay panels should be 3/4" [19 mm] thick. The weight of the overlays should not exceed 20 lbs [9 kg] for solid doors.

1. With the unit secured in position, open the door, CAREFULLY remove the door gasket (it can tear), and make sure panel pre-drilled holes align with door frame holes.
2. Loosely attach four corners of overlay panel to the door using #10 x 3/4" wood screws, installed through the door frame from the rear.
3. Check the overall fit of the overlay panel, position, and function. Make minor adjustments as necessary. When panel is properly aligned, tighten mounting screws securely. Install the rest of the mounting screws and tighten securely.
4. Re-install the gasket making sure the dart is securely pressed inside the slot on the door frame. Start at the four corners and firmly press your way inwards.
5. Verify that the gasket is fully seated onto the door frame when completed.

CAUTION

Do not overtighten overlay panel attachment screws, as this may damage the factory supplied door frame.

INSTALLATION OF DISPENSING EQUIPMENT



BEFORE INSTALLATION

Open the tapping kit box and become familiar with its components.

If the dispensing head is going to be mounted on a countertop directly above the refrigerated cabinet, have the countertop pre-drilled using the printed template in the Appendix of this manual.

Make sure that the access hole in the refrigerated cabinet is in line with the countertop holes. Remove any obstructions from the access hole of the refrigerator.

EN

FILLING THE CO₂ CYLINDER

The 5 lb. CO₂ cylinder is not filled. A local welding supply store, locations that fill fire extinguishers, local home brew shops, and sporting stores that sell paint ball guns are among the most likely places to get your CO₂ cylinder filled.

ABOUT KEG COUPLERS (TAPS)

Your Hestan Beer Refrigerator is supplied with a low-profile coupler for “D” system kegs, commonly used for beers of the United States and Mexico.

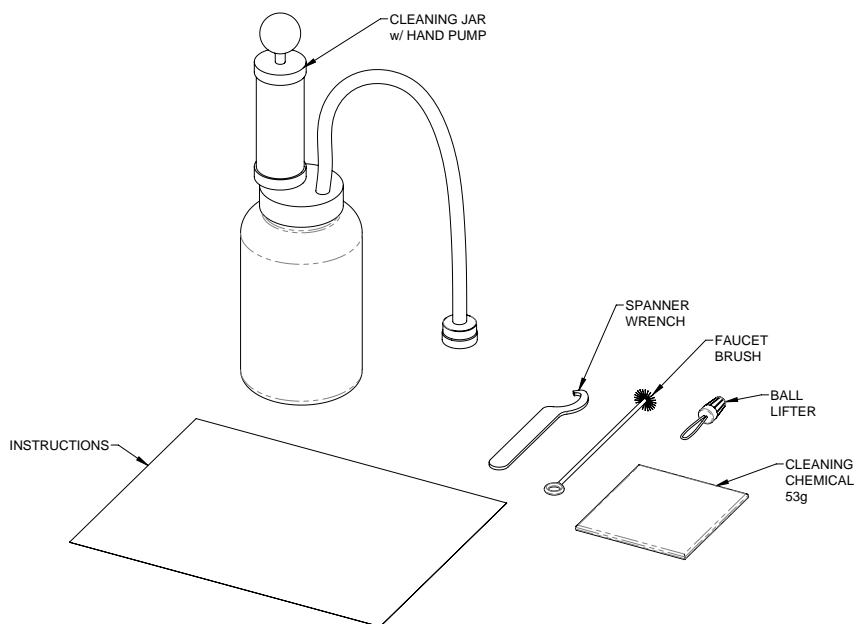
This coupler **MUST** be used when using Slim 1/4 kegs or 1/6 kegs (23-3/8” [59.4 cm] tall). If you are using other kegs with A, G, M, S, or U couplers, you must use a standard 1/4 keg (13-7/8” [35.2 cm] tall) to be able to fit inside the cabinet.

CLEANING THE TAP

Wash tapping devices thoroughly. Flush beer and faucet lines, as well as the tapping device (keg coupler) with fresh water.

A beer tap cleaning kit AGDFK is available for purchase separately.

See instructions on the following pages to properly install the tapping equipment on your Hestan unit.

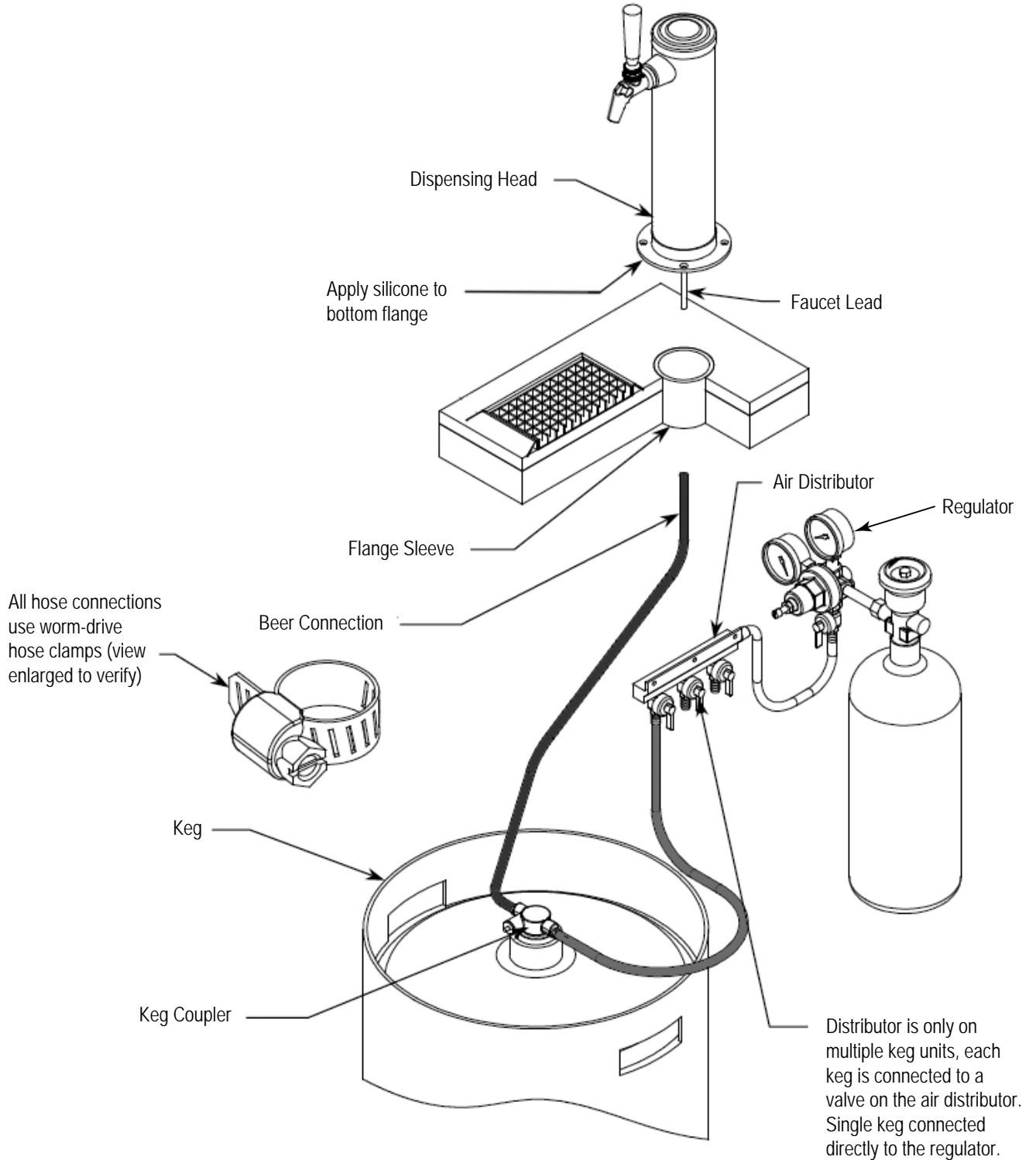


BEER TAP CLEANING KIT (AGDFK)



INSTALLATION OF DISPENSING EQUIPMENT *(continued)*

EN



NOTE: Image does not accurately reflect positions of the different elements within the unit. Positions and hose lengths shown are to clearly illustrate proper connection methods only.

INSTALLATION OF DISPENSING EQUIPMENT *(continued)*



EN

1. Locate the dispensing head , black beer line(s), and hose clamp(s). Slide one end of each beer line onto the stainless steel tubes which protrude out the bottom of the dispensing head and clamp tight.



2. Remove transit tape with a utility knife around the hole in the top of the unit from both inside and outside of the cabinet. Gently punch out foam w/screwdriver and remove. Insert the beer line(s) through the hole in the countertop. Move head aside and apply a bead of silicone around perimeter of hole, and then position the head back in place. Fasten using the 4 chrome screws included with the dispensing head. Wipe off excess silicone to complete the seal.



3. Use the 3/8" -thick foam pad included in the tapping kit and roll into a cylinder. From inside the cabinet, insert the foam tube up through the hole in the countertop until it is firmly against the insulation in the dispensing head. Mark, then cut away any excess foam.





INSTALLATION OF DISPENSING EQUIPMENT *(continued)*

EN

4. Install the Air Scoop Kit. Start by removing the upper set of screws located above the fan on the back wall of the cabinet.



5. Assemble components from the kit as follows – Insert black snap bushing into air scoop mounting bracket, then insert one end of the air snorkel through the snap bushing. A zip-tie can be inserted behind the mounting bracket to keep the tube in place.



6. Insert end of the snorkel up into the tower and screw air scoop mounting bracket into vacated holes above the fan.





7. If installing a two faucet system, a CO₂ manifold will need to be installed. Locate the red CO₂ lines, CO₂ manifold and a #10 x 1/2" sheet metal screw. Slide one end of each hose onto the barbed fittings on the manifold and clamp. On the left rear side wall of the beer compartment there is a double row of screws which run vertically. Remove one of the two top screws and discard. Insert the sheet metal screw through the manifold and into the hole vacated previously.



8. On a single beer system, locate the red CO₂ hose. Slide one end onto the barbed fitting of regulator assembly and clamp. On systems with two beers, locate the CO₂ line that comes off the backside of the manifold assembly. Slide the hose onto the barbed fitting of regulator assembly and clamp. For detailed information on connecting the regulator to the CO₂ cylinder, see page 17.



9. Locate the low profile keg coupler(s). Slide one of the red CO₂ lines onto the larger barbed fitting of the keg coupler and clamp. Locate one of the black beer lines and slide onto the smaller barbed fitting of the keg coupler and clamp. Repeat for additional couplers.



Note:
See page 11 for info on Keg Couplers.



INSTALLATION OF DISPENSING EQUIPMENT *(continued)*

10. On the right rear sidewall there is a double column of screws. Remove the left screw. Locate the safety chain and a #10 x 1/2" sheet metal screw from the parts bag. Insert the screw through the closed end link of the chain and tighten in the vacant screw hole. The chain can now be used to secure the CO₂ cylinder with "S" hook, preventing damage to the regulator.



11. CO₂ cylinders are shipped empty and must be filled prior to use. Turn the adjusting knob on the regulator counter-clockwise until the outlet pressure gauge (top) reads zero. Make sure that the valve at the bottom of the regulator where the red hose is connected, is in the OFF position as shown on page 18. Watching the outlet pressure gauge, turn the regulator adjusting knob clockwise until the pressure is at 15 psi. Adjustments can later be made based on flow rates.

IMPORTANT: All pressure adjustments **MUST** be made when the shut-off valve is in the OFF position!



12. Locate the beer faucet(s) and install onto the dispensing head shanks. Tighten with supplied spanner wrench. Install black handle(s) onto faucet(s).



INSTALLATION OF DISPENSING EQUIPMENT *(continued)*



13. Before tapping a keg, make sure the beer faucet is closed.

To tap a keg, insert the coupler into the neck of the barrel. Turn the coupler clockwise until it stops (about an 1/8 turn), then push down on the top of the coupler and again turn clockwise until it stops. Your barrel is now tapped.

Open the CO₂ valve on the regulator as well as the valve on the manifold if used.



EN

CONNECTING THE REGULATOR TO THE CO₂ CYLINDER



HIGH-PRESSURE GAS

▲ DANGER

CO₂ cylinders contain high-pressure gas which can be hazardous if not handled properly. Make sure you READ and UNDERSTAND the following procedures for CO₂ cylinders BEFORE installation.

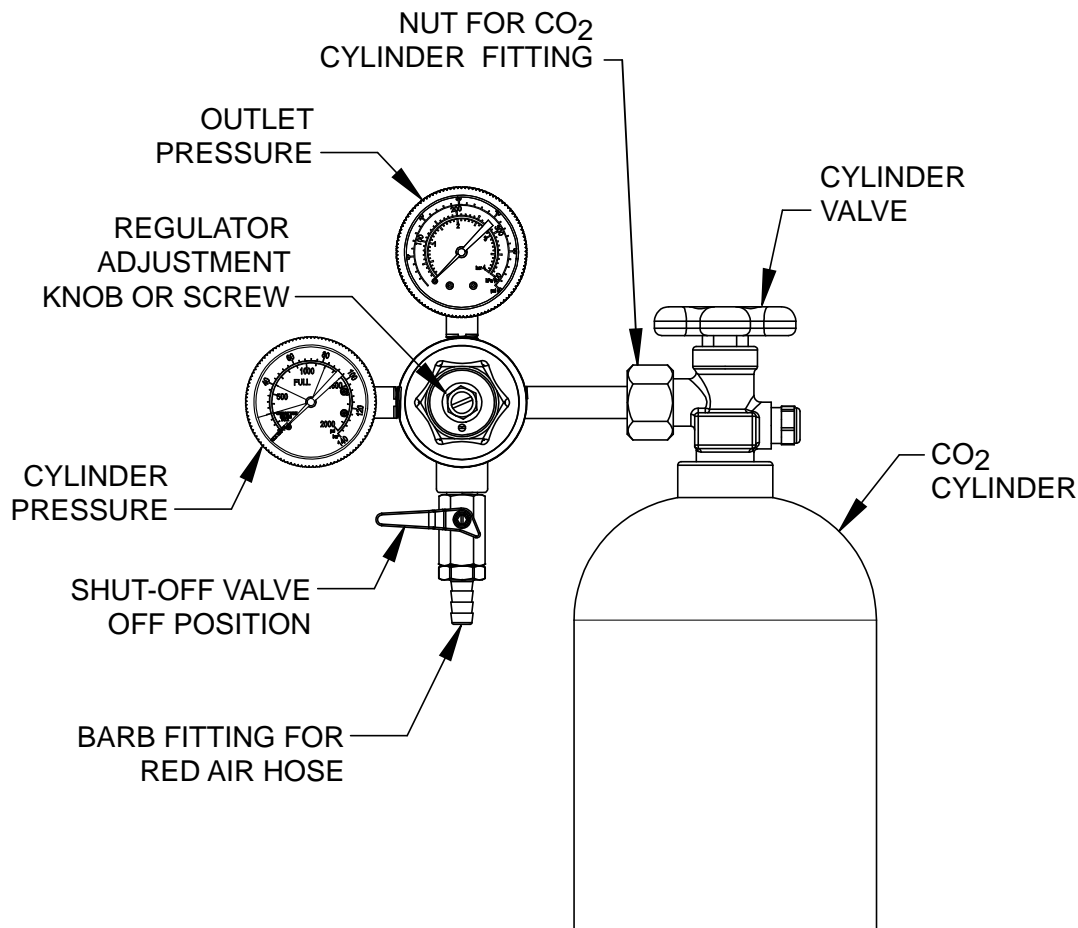
- ALWAYS connect the CO₂ cylinder to a regulator. Failure to do so could result in an explosion with possible death or injury when the cylinder valve is opened.
- NEVER connect the CO₂ cylinder directly to the product container (keg). Doing so will result in an explosion causing possible death or injury.
- ALWAYS follow correct procedures when cylinders are changed.
- ALWAYS secure the cylinder in an upright position with a chain.
- NEVER drop or throw a CO₂ cylinder.
- ALWAYS keep a CO₂ cylinder away from heat. The rupture disc vents at 122°F [50°C] max. Store extra cylinders in a cool place (preferably 70°F [21°C]). Securely fasten with a chain in an upright position when storing. NEVER place cylinders in direct sunlight or where temperature could rise above 130°F [54°C].
- ALWAYS ventilate & leave the area immediately if CO₂ gas leakage has occurred. NEVER enter a closed area where leakage may have occurred.
- ALWAYS check the DOT test date on the cylinder neck before installation. If over five(5) years old, do not use, return cylinder to gas supplier.
- NEVER connect a product container unless there are two(2) safeties in the pressure system:
 - (a) one at or on the CO₂ regulator.
 - (b) one at or on the product coupler or in the pressure gas line.
- CO₂ regulators are delicate instruments and should be checked constantly for creeping, sluggishness, damaged gauges, or any unusual behavior. If any of these symptoms occur, discontinue use immediately and return regulator to supplier or manufacturer.
- Allow only properly trained and experienced personnel to handle high-pressure gas.
- Do not apply oil to the regulator!

FAILURE TO CONNECT THE REGULATOR BY PROPERLY FOLLOWING THESE INSTRUCTIONS MAY RESULT IN LEAKS, EXPLOSIONS, ASPHYXIATION AND CAUSE SERIOUS PERSONAL INJURY OR DEATH.



CONNECTING THE REGULATOR TO THE CO₂ CYLINDER (continued)

EN



1. Remove the blue plug from the regulator fitting, but do not remove the carbonic washer.
2. Screw regulator onto gas cylinder valve. Tighten the nut with a wrench until vertically straight. Be sure that the shut-off valve on the regulator is in the OFF (horizontal) position.
3. Place screw clamp over the end of red air hose and push onto regulator barb fitting. Tighten clamp with a screwdriver.
4. Turn regulator adjusting knob or screw counter-clockwise until it turns freely.
5. Turn cylinder valve counter-clockwise on the CO₂ cylinder to the fully open position.
6. Turn regulator adjusting knob or screw clockwise until desired pressure is reached (approximately 12-15 psi [83-103 kPa]). Tighten stop nut on adjusting screw.
7. Open shut-off valve on bottom of regulator.
8. Dilute a small amount of liquid dishwashing soap and rub the soapy mixture around connections. If bubbles appear, tighten connection.

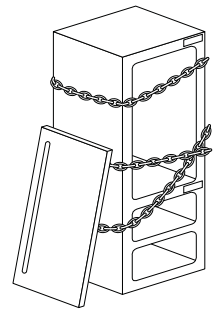
DISPOSAL



⚠ DANGER

Risk of child entrapment. Before you throw away your old refrigerator or freezer:

- Take off the door.
- Leave the shelves in place so that children may not easily climb inside.
- Do not allow children to play inside, on, or around the appliance.



EN

⚠ WARNING

Risk of fire or explosion. Please dispose the appliance according to federal or local regulations for its flammable refrigerant and blowing gas.

NOTES





TABLES DES MATIERES

- 1 DÉFINITIONS DE SÉCURITÉ
- 2 NUMÉROS DE MODÈLE
- 2 DISPOSITION DES BARILS
- 3 PLAQUE SIGNALÉTIQUE
- 3 RESPECT DE LA RÉGLEMENTATION ET DES CODES EN VIGUEUR
- 3 SÉCURITÉ
- 5 INSTALLATION DE L'ARMOIRE
- 8 INFORMATION SUR LA PORTE
- 10 INSTALLATION DE L'ÉQUIPEMENT DE DISTRIBUTION
- 16 RACCORDEMENT DU RÉGULATEUR AU CYLINDRE DE CO₂
- 18 ÉLIMINATION

LISEZ ATTENTIVEMENT ET COMPLÈTEMENT CES INSTRUCTIONS AVANT D'INSTALLER OU D'UTILISER VOTRE APPAREIL AFIN DE RÉDUIRE LES RISQUES D'INCENDIE, DE BRÛLURE OU D'AUTRES BLESSURES. CONSERVER CE MANUEL POUR RÉFÉRENCE FUTURE.

IMPORTANT! L'installation de l'armoire de distribution de bière réelle doit avoir lieu avant d'installer l'équipement de distribution. Reportez-vous à la section Installation du réfrigérateur de ce manuel pour obtenir des instructions pas à pas.

IMPORTANT! Lisez et comprenez toutes les informations contenues dans ce manuel avant de tenter l'installation. Tous les travaux de plomberie et d'électricité doivent être effectués par un technicien qualifié et conformes à tous les codes nationaux et locaux applicables.

INSTALLATEUR: LAISSER CE MANUEL AVEC LE PROPRIÉTAIRE DE L'APPAREIL.

PROPRIÉTAIRE: CONSERVEZ CE MANUEL POUR RÉFÉRENCE FUTURE.



DÉFINITIONS DE SÉCURITÉ

▲ DANGER

CELA INDIQUE UN DANGER QUI ENTRAÎNERA DES BLESSURES GRAVES OU LA MORT SI LES PRÉCAUTIONS NE SONT PAS SUIVIES.

▲ AVERTISSEMENT

CECI INDIQUE UN DANGER QUI POURRAIT ENTRAÎNER DES BLESSURES GRAVES OU LA MORT SI LES PRÉCAUTIONS NE SONT PAS SUIVIES.

▲ PRÉCAUTION

CECI INDIQUE UN DANGER LORSQUE DES BLESSURES OU DES DOMMAGES MATÉRIELS AU PRODUIT OU À LA PROPRIÉTÉ PEUVENT SURVENIR SI LES PRÉCAUTIONS NE SONT PAS SUIVIES.

AVIS

CECI INDIQUE QUE DES DOMMAGES MATÉRIELS AU PRODUIT OU À LA PROPRIÉTÉ PEUVENT SURVENIR SI LES PRÉCAUTIONS NE SONT PAS SUIVIES.

▲ DANGER RISQUE D'INCENDIE OU D'EXPLOSION - RÉFRIGÉRANT INFLAMMABLE UTILISÉ. Consultez le manuel de réparation / le guide du propriétaire avant d'essayer de réparer ce produit. Toutes les précautions de sécurité doivent être suivies. À réparer uniquement par un personnel qualifié. Soyez prudent lors de la manipulation, du déplacement et de l'utilisation du produit afin d'éviter d'endommager le tube de réfrigérant ou d'augmenter le risque de fuite.

▲ AVERTISSEMENT Tous les travaux d'entretien doivent être exécutés par le personnel de service autorisé par l'usine et tous les composants doivent être remplacés par des composants similaires afin de minimiser le risque d'inflammation possible en raison de pièces incorrectes ou d'un entretien inapproprié.

▲ PRÉCAUTION Si un entretien est nécessaire, les travaux de réparation doivent être effectués par un réparateur agréé Hestan. Le travail effectué par des personnes non qualifiées pourrait être potentiellement dangereux et annulera la garantie.

DÉFINITIONS DE SÉCURITÉ (suite)

AVIS Ce produit contient de la mousse isolante thermique utilisant l'agent gonflant R-611 (Formiate de Méthyle). La mousse de ce produit ne contient pas de HFC, CFC ou HCFC.

Tous les modèles couverts dans ce manuel sont fabriqués à l'aide du réfrigérant R600a (Isobutane). Le R600a est un hydrocarbure. Ce fluide frigorigène est inflammable et ne doit être utilisé que dans des appareils qui satisfont aux exigences des normes UL / CEI 60335-1 et UL / CEI 60335-2-24 (pour couvrir les risques potentiels découlant de l'utilisation de réfrigérants inflammables). Par conséquent, le R600a ne peut être utilisé que dans les appareils de réfrigération conçus pour ce réfrigérant et répondant à la norme susmentionnée.

- Le R600a est plus lourd que l'air. La concentration sera toujours la plus élevée au niveau du sol.
- Les limites d'explosion sont les suivantes:
 - o Limite inférieure: 1,8% en volume
 - o Limite supérieure: 8,4% en volume
 - o Température d'inflammation: 860°F [460°C]

NUMÉROS DE MODÈLE

No. de Modèle	Description
GFDS_241	DISTRIBUTEUR DE BIÈRE SIMPLE INTÉRIEUR / EXTÉRIEUR, PORTE SOLIDE, 24 po
GFDS_241-XX	DISTRIBUTEUR DE BIÈRE SIMPLE INTÉRIEUR / EXTÉRIEUR, PORTE SOLIDE, COULEUR, 24 po
GFDS_242	DISTRIBUTEUR DE BIÈRE DOUBLE INTÉRIEUR / EXTÉRIEUR, PORTE SOLIDE, 24 po
GFDS_242-XX	DISTRIBUTEUR DE BIÈRE DOUBLE INTÉRIEUR / EXTÉRIEUR, PORTE SOLIDE, COULEUR, 24 po

_ = Modèle à charnière droite (R) ou gauche (L)



eco friendly
R600a Refrigerant



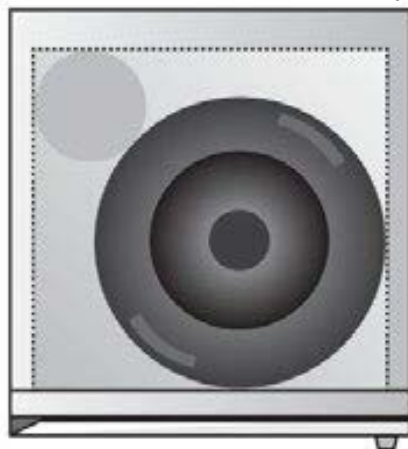
GFDSR241
illustré



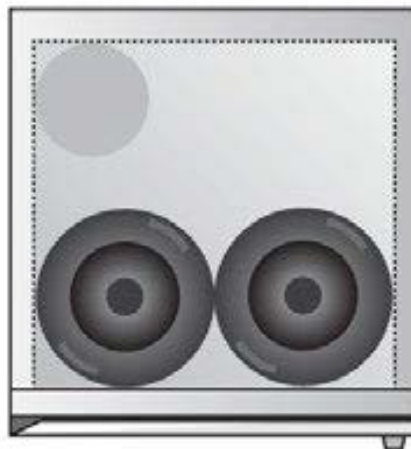
GFDSR242
illustré

DISPOSITION DES BARILS

Les barils de bière standard suivants s'adaptent à l'intérieur de ces unités.



Une 1/4 baril
Standard = Ø16-1/8 po x 13-7/8 po H - 7.75 Gal [29.3 l]
Svelte = Ø11-1/8 po x 23-3/8 po H - 7.75 Gal [29.3 l]

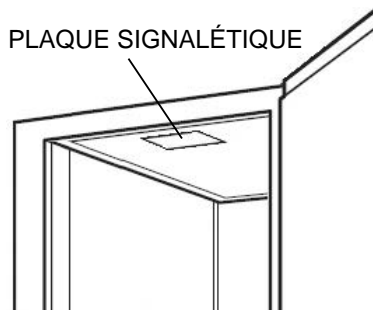


Deux 1/6 baril
Ø9-1/4 po x 23-3/8 po H - 5.16 Gal [19.8 l]



PLAQUE SIGNALÉTIQUE

La plaque signalétique contient des informations importantes sur votre appareil Hestan, telles que le modèle et le numéro de série, ainsi que des informations sur le réfrigérant si un entretien est nécessaire.



La plaque signalétique est fixée sur le dessus intérieur de la caisse.

RESPECT DE LA RÉGLEMENTATION ET DES CODES EN VIGUEUR

L'installation de cet appareil doit être effectuée conformément aux codes locaux. En l'absence de tels codes, installer cet appareil conformément au National Electrical Code et les codes locaux.

Tous les composants électriques doivent être mis à la terre conformément aux codes locaux ou, en l'absence de tels codes, au National Electrical Code ANSI/NFPA 70 ou au Code national de l'électricité du Canada CSA C22.1.



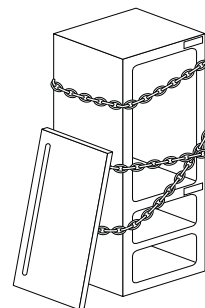
SÉCURITÉ

SÉCURITÉ IMPORTANTE DES ENFANTS

▲ DANGER Risque de coincement de l'enfant. Avant de jeter votre ancien réfrigérateur ou congélateur:

- Enlevez les portes.
- Laissez les étagères en place afin que les enfants ne puissent pas facilement grimper à l'intérieur.

NE JAMAIS laisser des enfants jouer à l'intérieur de l'appareil.



AVANT L'INSTALLATION

Inspectez soigneusement le produit pour détecter tout dommage caché. Si des dommages sont découverts, déposez votre réclamation immédiatement avec la société de transport. Hestan n'est pas responsable des dommages en transit. Retirez tous les matériaux d'emballage avant l'utilisation.

▲ DANGER RISQUE D'INCENDIE OU D'EXPLOSION - RÉFRIGÉRANT INFLAMMABLE UTILISÉ. Soyez prudent lors de la manipulation, du déplacement et de l'utilisation du produit afin d'éviter d'endommager le tube de réfrigérant ou d'augmenter le risque de fuite.

▲ PRÉCAUTION Lorsque vous déplacez l'unité, assurez-vous de protéger le revêtement de sol fini avec un matériau approprié pour éviter des dommages dus au déplacement de l'appareil. Ne soulevez pas l'unité par le tiroir, les étagères ou les poignées de porte, car cela pourrait endommager l'appareil déplacé selon les instructions.

▲ AVERTISSEMENT Pour éviter les blessures, au moins deux personnes sont nécessaires pour soulever l'appareil. Des unités plus grandes peuvent nécessiter du personnel supplémentaire.

Avant de déplacer l'unité, fermez la porte avec du ruban adhésif pour empêcher la porte de s'ouvrir pendant qu'elle est déplacée. Déplacez soigneusement l'unité vers le site d'installation et placez-la devant l'ouverture.

▲ PRÉCAUTION Si l'unité a été posée sur le dos ou sur les côtés, placez-la à la verticale et attendez au moins 24 heures avant de brancher l'alimentation.



PLOMBERIE

Mis à part les connexions au robinet de bière et au baril (voir page 10), aucune autre connexion de plomberie n'est requise. Les condensats du serpentín de refroidissement s'évaporent automatiquement à travers un bac à condensats situé dans la section de condensation de l'unité.

▲ DANGER

GAZ HAUTE PRESSION

- Gardez la cylindre de CO₂ à l'abri de la chaleur. Le disque de rupture est ventilé à 122°F [50°C] max.
- Ne laissez pas tomber ou ne jetez pas le régulateur ou la cylindre de CO₂.

▲ AVERTISSEMENT

- Ne laissez que du personnel correctement formé et expérimenté manipuler du gaz à haute pression.
- Ne pas appliquer d'huile sur le régulateur!

▲ DANGER

RISQUE DE CHOC ÉLECTRIQUE

Coupez l'alimentation avant d'installer ou d'entretenir l'appareil. Ne pas le faire peut entraîner la mort ou un choc électrique.

▲ AVERTISSEMENT

ALIMENTATION ÉLECTRIQUE ET MISE A LA TERRE

- Cet appareil doit être mis à la terre. La mise à la terre réduit le risque de choc électrique en cas de court-circuit.
- NE PAS mettre à la terre un tuyau de gaz.
- NE PAS utiliser de rallonge avec cet appareil.
- NE PAS avoir de fusible dans le circuit NEUTRE ou MISE À LA TERRE. Un fusible dans le circuit NEUTRE ou MISE À LA TERRE pourrait provoquer un choc électrique.



ALIMENTATION ÉLECTRIQUE

Un disjoncteur 115 volts CA, 60 Hz, 15 Ampères et une alimentation électrique sont nécessaires. Un circuit protégé par un disjoncteur de fuite à la terre (GFCI) doit être utilisé lorsqu'il est installé à l'extérieur.

Cet appareil n'est PAS conçu pour être installé dans des maisons préfabriquées (mobiles) ou des véhicules récréatifs.

Toutes les unités sont fournies avec un cordon de 5 pieds [1.5 m] avec fiche de mise à la terre à trois broches. Il est impératif que cette fiche soit connectée à une prise à trois broches correctement mise à la terre. Si le récipient n'est pas le type de mise à la terre approprié, contactez un électricien. La prise doit être affleurante ou encastrée dans la surface du mur derrière l'appareil.

- Ne retirez jamais la broche de mise à la terre de cette fiche.
- N'utilisez jamais d'adaptateur à 2 broches.
- Si une prise à 2 broches est rencontrée ou si un cordon d'alimentation plus long est requis, faites appel à un électricien qualifié pour le faire remplacer conformément aux codes électriques applicables.

▲ AVERTISSEMENT Vérifiez que le cordon électrique et la fiche ne sont pas endommagés avant de mettre l'appareil sous tension pour éviter tout risque d'électrocution.

AVIS L'appareil ne doit PAS être totalement enfermé ou des dommages peuvent survenir. La circulation de l'air ne doit pas être restreinte. Le condenseur à l'avant de l'armoire doit être doté d'un espace d'air d'au moins 2 po [5 cm]. Assurez-vous de fournir un accès afin que le couvercle avant puisse être retiré pour nettoyer le condenseur.

▲ PRÉCAUTION N'essayez pas de faire fonctionner l'équipement sur une autre source d'alimentation que celle indiquée sur la plaque de spécifications électriques attachée à l'unité.



SÉCURITÉ (suite)

⚠ DANGER Ne stockez pas de liquides inflammables (c'est-à-dire d'essence ou de liquide à briquet) ou de vapeurs à proximité de l'appareil pour éviter un incendie.

INFORMATIONS GÉNÉRALES SUPPLÉMENTAIRES

Toutes les instructions électriques supposent que la prise est située à 4 - 10 po [10 - 25 cm] au-dessus de la surface du sol.

Le plancher doit être de niveau dans la zone d'installation. Les niveleurs de pieds sont utilisés uniquement pour un réglage précis et ne doivent pas être utilisés pour compenser les différences de sol dépassant 1/2 po [13 mm].



INSTALLATION DE L'ARMOIRE

⚠ DANGER RISQUE D'INCENDIE OU D'EXPLOSION - RÉFRIGÉRANT INFLAMMABLE UTILISÉ. Soyez prudent lors de la manipulation, du déplacement et de l'utilisation du produit afin d'éviter d'endommager le tube de réfrigérant ou d'augmenter le risque de fuite.

KIT DE ROULETTES (EN OPTION)

Un kit de roulettes (AGCK24) est disponible pour les modèles de réfrigération Hestan. Reportez-vous aux instructions fournies avec le kit de roulettes pour une installation correcte.

Remarque: l'installation du kit ajoute 3,75 po [9,5 cm] à la hauteur totale de l'unité.

SUPPORTS ANTI-BASCULEMENT

L'unité peut basculer vers l'avant si les racks / étagères chargés sont tous retirés en même temps. Pour éviter tout basculement et assurer une installation stable, l'unité doit être fixée en place avec les supports anti-basculement fournis avec l'unité. Les supports anti-basculement, lorsqu'ils sont correctement installés, devraient fixer les pattes arrière / patins à la surface de montage et empêcher l'unité de basculer vers l'avant.

AVIS Les supports anti-basculement ne sont utilisés que pour les armoires fixes et ne doivent pas être installés sur des armoires avec roulettes accessoires.

En cas d'installation sur un sol en béton, des attaches en béton sont requises et ne sont pas incluses avec le kit anti-basculement.

Certains sites d'installation peuvent nécessiter des modifications pour fournir une surface sécurisée pour la fixation des supports.

Un jeu de supports anti-basculement est fourni avec l'appareil. Ces supports doivent être fixés au sol à l'arrière de l'unité. Chaque support doit être situé pour engager les pieds arrière lorsque l'armoire est repoussé en position. Reportez-vous à la figure 1 (illustrée ci-dessous) pour les emplacements de montage du support anti-basculement.

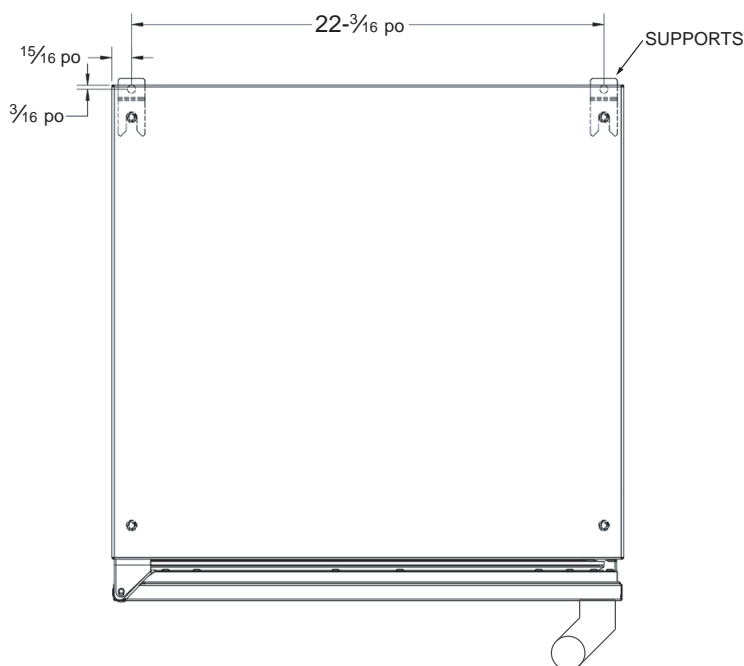


Figure 1. Kit Anti-Basculement 24 po

INSTALLATION DE L'ARMOIRE (suite)



PRÉPARER L'ESPACE

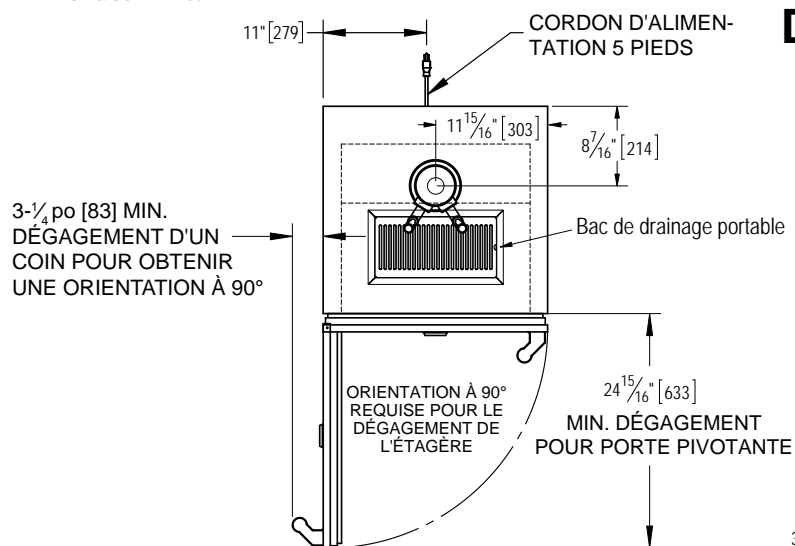
⚠ PRÉCAUTION Si l'unité doit être installée sous un plan de travail, il est recommandé que le plan de travail soit soutenu par une structure autre que l'unité elle-même pour éviter d'endommager l'unité.

Assurez-vous que le plancher sous l'unité est au même niveau que le plancher fini environnant. Protégez un plancher fini avec du contreplaqué, du carton ou tout autre matériau approprié avant de déplacer l'unité en place. Le non-respect de cette consigne peut endommager le sol.

Pour assurer des performances maximales, l'air frais doit pouvoir circuler dans le compartiment des machines. Ne placez rien devant l'appareil qui pourrait obstruer la circulation d'air au niveau de ces grilles avant. Ne placez pas l'appareil dans une petite pièce non ventilée.

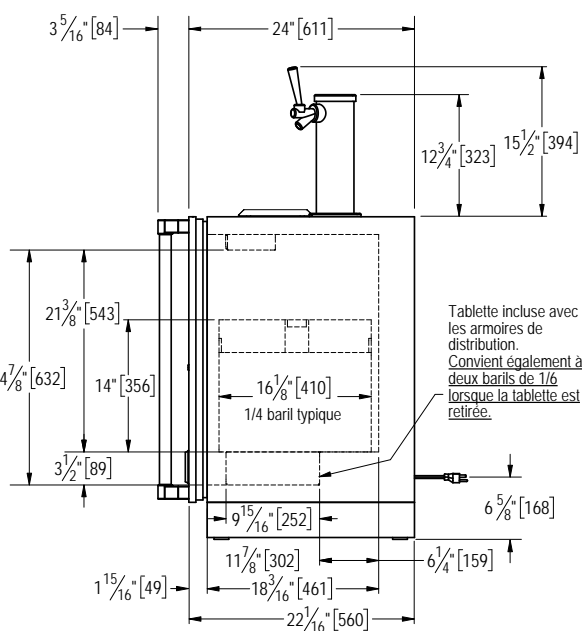
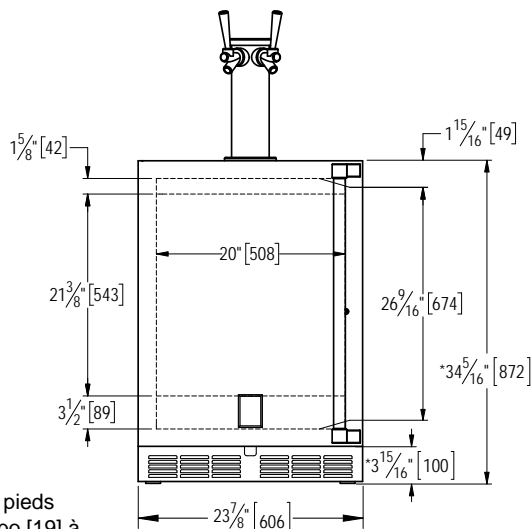
AVIS L'armoire doit être nivelée de l'avant vers l'arrière, puis d'un côté à l'autre.

1. Assurez-vous que l'ouverture de l'espace est correctement dimensionnée pour l'unité. Voir les dimensions typiques de l'appareil ci-dessous et le tableau ci-dessous pour les exigences d'ouverture brute finie:



DIMENSIONS TYPIQUES DE L'APPAREIL

DIMENSIONS DE DÉCOUPE:
34-3/8 po H - 24 po W - 24 po D
[873] H - [609] W - [609] D



* - Les niveleurs de pieds peuvent ajouter 3/4 po [19] à ces dimensions lorsqu'ils sont complètement déployés.

TAILLE (H)	LARGEUR (W)	PROFONDEUR (D)
34-3/8 po [87.3 cm] min.	24 po [61 cm]	24 po [61 cm]
35-1/2 po [90.2 cm] max.		



INSTALLATION DE L'ARMOIRE (suite)

2. Vérifiez que les éléments suivants sont de niveau et d'équerre:
 - Ouverture frontale et intérieure
 - Ouverture d'installation et surface au sol
 - Bord avant inférieur du comptoir

REMARQUE: Pour qu'une porte s'ouvre correctement, la porte doit s'ouvrir d'au moins 90°. Utiliser un pièce d'obturation d'au moins 3 po [7,6 cm] dans les installations en coin pour assurer une ouverture complète à 90°. Laisser un dégagement de 25 po [64 cm] à l'avant de l'unité pour une ouverture complète de la porte et une sortie de tablette / tiroir.

REMARQUE: Le plancher sous l'unité doit être au même niveau que le plancher fini environnant.

▲ PRÉCAUTION Pour éviter d'endommager le comptoir, ne placez pas d'objets lourds sur le comptoir directement au-dessus de l'appareil.

INSTALLATION DE L'UNITÉ DANS L'ESPACE

1. Branchez l'unité dans la prise électrique mise à la terre de 15 Ampères située dans l'ouverture d'installation. Une fois l'appareil sous tension, vérifiez que les fonctions d'éclairage et de refroidissement fonctionnent correctement. Coupez l'alimentation de la prise murale du disjoncteur.
2. Avec toutes les surfaces dans le carré et le niveau d'ouverture de l'installation, reportez-vous à la Figure 2 ci-dessous et effectuez les étapes suivantes pour mettre l'unité à niveau:
 - À l'avant de l'ouverture, mesurez du plancher jusqu'au bas du bord avant du comptoir.
 - Mesurez à partir de la surface du sol jusqu'au sommet de l'unité dans les coins arrière.
 - Réglez les pieds de l'unité de sorte que ces deux mesures soient égales. À l'aide d'une clé à molette ou d'une pince, tournez les pieds dans le sens horaire pour abaisser l'unité, ou dans le sens anti-horaire pour la soulever.

REMARQUE: Les pieds ne doivent pas dépasser de plus de 3/4 po [19 mm] du bas de l'unité.

3. Faites glisser l'unité en position dans l'ouverture. Assurez-vous que les pieds de mise à niveau arrière glissent sous les supports anti-basculement fourni. Poussez l'unité dans l'ouverture jusqu'à ce que le bord avant inférieur de l'unité affleure les armoires adjacentes ou jusqu'à ce que les pieds arrière soient bien serrés contre les supports anti-basculement.
4. Calez l'avant de l'unité de sorte que la face avant affleure les armoires adjacentes. Ajustez les pattes avant pour soutenir le comptoir à la hauteur calée. À l'aide d'une clé à molette ou d'une pince, tournez les pieds dans le sens horaire pour abaisser l'unité ou dans le sens anti-horaire pour le relever. Le comptoir doit reposer sur le dessus de l'unité.

REMARQUE: Le comptoir doit reposer uniformément sur tout le dessus de l'unité. Cale si nécessaire pour éviter d'endommager le comptoir.

5. Vérifiez les ouvertures intérieures des portes pour vous assurer que l'unité est de niveau et d'équerre. Installez des étagères.
6. Mettez la prise murale sous tension au niveau du disjoncteur.

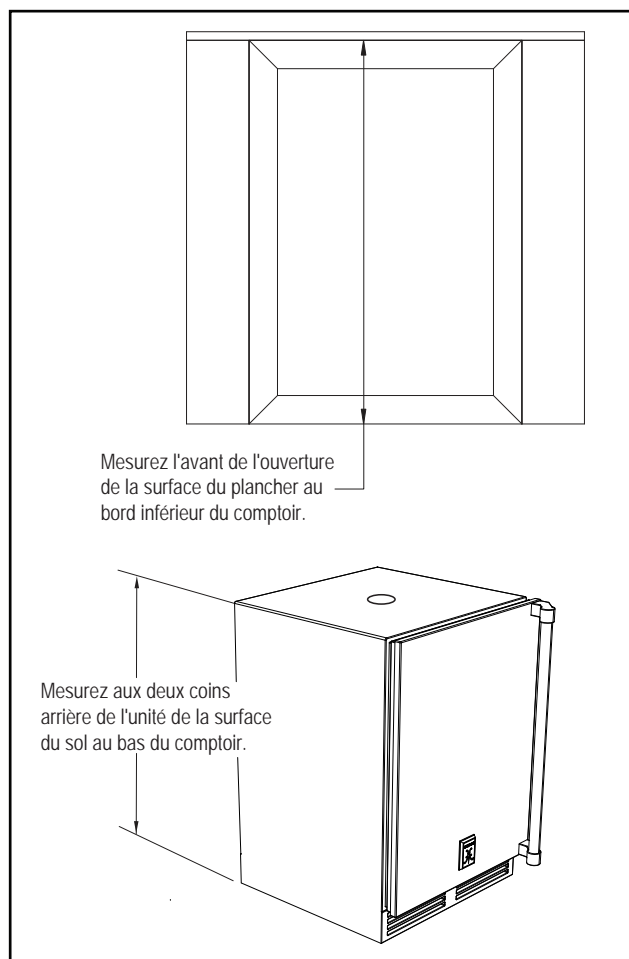


Figure 2. Nivellement de l'unité

INSTALLATION DE L'ARMOIRE (suite)



INSTALLATION DU COUVERCLE DE GRILLE AVANT

Une fois l'unité en place, installez le couvercle de la grille avant à persiennes. Fixez le couvercle en enclenchant le pêne dans le loquet de l'unité (Figure 3).

La grille de ventilation doit être retirée pour l'entretien de l'unité. Le sol ne peut pas interférer avec l'enlèvement, et les sections persiennes ne doit pas être couvert ou obstrué. Des obstructions pourraient empêcher une bonne circulation de l'air, ce qui pourrait endommager l'appareil.

REMARQUE: Pour obtenir des performances maximales, les ouvertures des volets intérieurs et les ouvertures de protection du ventilateur ne doivent jamais être obstrués.

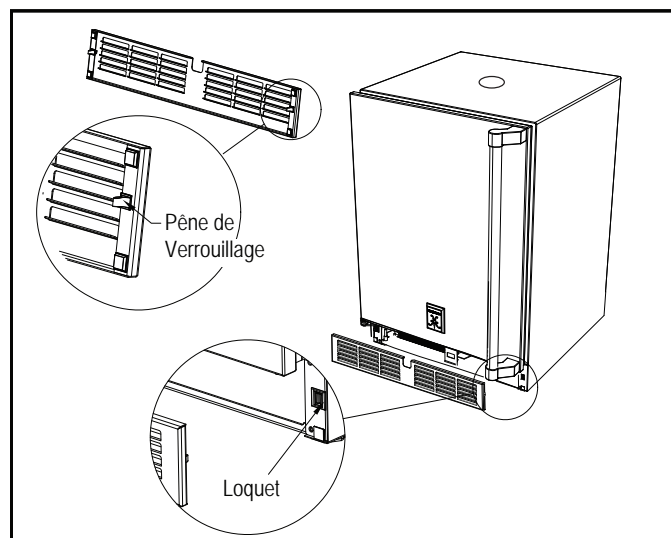


Figure 3. Installation de la Grille Avant

FR

INFORMATION SUR LA PORTE



OPTIONS DE PORTE

Les unités résidentielles Hestan peuvent être converties de l'acier inoxydable au des panneaux de revêtement dans le champ. Les portes solides sont expédiées de l'usine avec des panneaux en acier inoxydable et des poignées en place sur l'unité. Toutes les portes en acier inoxydable sont convertibles en modèles entièrement intégrés, prêts à accepter des panneaux personnalisés (revêtement) de votre fournisseur d'armoires. Vous pouvez contacter le service clientèle de Hestan pour envoyer l'un des gabarits suivants, ou télécharger directement depuis le Hestan site web à www.hestanoutdoor.com.

028370 - Gabarit, Revêtement, Porte Solide 24 po, Réfrigération

028371 - Gabarit, Revêtement, Plinthe/Grille 24 po, Réfrigération

028374 - Instructions d'installation, Revêtement, Porte/Tiroir, Réfrigération

Faites attention en choisissant le modèle correct pour votre unité spécifique. La poignée d'appareil d'origine ou la poignée d'armoire personnalisée peut être installée sur votre panneau de revêtement.

INSTALLATION DE LA POIGNÉE

▲ PRÉCAUTION

Le montage de la poignée sur le revêtement en bois doit être monté uniquement sur le revêtement (pas sur la porte réelle) pour éviter d'endommager la porte d'usine. Des matériaux et équipements de travail du bois appropriés doivent être utilisés pour éviter des dommages ou des erreurs de fabrication.

1. La poignée doit être fixée au revêtement avant de le monter sur la porte. Marquez l'arrière du panneau de revêtement en bois avec les emplacements de fixation de la poignée.
2. Percer le panneau de revêtement en bois aux endroits marqués, en prenant soin de ne pas endommager le panneau.
3. Utilisez des vis à tête fraisée de sorte que les têtes affleurent le côté arrière du panneau. Fixez la poignée au panneau de revêtement.



INFORMATION SUR LA PORTE (suite)

INSTALLATION DE SERRURE DE PORT

▲ PRÉCAUTION

Des matériaux et équipements de travail du bois appropriés doivent être utilisés pour éviter des dommages ou des erreurs de fabrication.

REMARQUE: Les informations d'installation du verrou sont disponibles sur les dessins de gabarit mentionnés ci-dessus. Faites attention en choisissant le modèle correct pour votre modèle spécifique.

Lors de l'installation sur un revêtement en bois, effectuez l'installation de la serrure avant de monter le revêtement en bois sur la porte!

1. Voir la Figure 5. Fixez le support de montage au revêtement en bois.
2. Insérez le cylindre de verrou et fixez-le avec l'écrou. Réinstallez les pièces restantes comme indiqué.

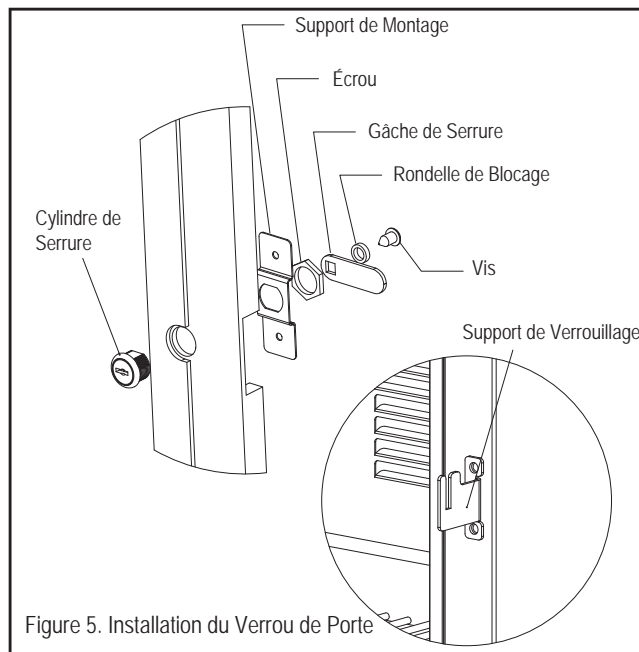


Figure 5. Installation du Verrou de Porte

INSTALLATION DU PANNEAU DE REVÊTEMENT

Avant de commencer l'installation, vérifiez que tous les composants sont bien ajustés et finis.

REMARQUE: Pour des informations d'installation plus détaillées, veuillez demander ou télécharger le document 028374 mentionné à la page précédente.

▲ PRÉCAUTION

Pour de meilleures performances et fonctionnalités, les panneaux de revêtement doivent avoir une épaisseur de 3/4 po [19 mm]. Le poids des revêtements ne doit pas dépasser 20 lb [9 kg] pour les portes solides, 10 lb [4,5 kg] pour les portes vitrées ou 10 lb [4,5 kg] pour les modèles à tiroirs.

1. Une fois l'unité en place, ouvrez la porte, retirez ATTENTIVEMENT le joint de la porte (il peut se déchirer) et assurez-vous que les trous pré-perçés du panneau sont alignés avec les trous du cadre de la porte.
2. Fixez sans serrer les quatre coins du panneau de revêtement à la porte à l'aide de vis à bois n° 10 x 3/4 po, installées à travers le cadre de la porte par l'arrière.
3. Vérifiez l'ajustement, la position et la fonction globale du panneau de revêtement. Faites des ajustements mineurs si nécessaire. Lorsque le panneau est correctement aligné, serrez fermement les vis de montage. Installez le reste des vis de montage et serrez fermement.
4. Réinstallez le joint en vous assurant que la fléchette est fermement enfoncée dans la fente du cadre de la porte. Commencez par les quatre coins et appuyez fermement vers l'intérieur.
5. Vérifiez que le joint est bien en place sur le cadre de la porte une fois terminé.

▲ PRÉCAUTION

Ne serrez pas trop les vis de fixation du panneau de revêtement en bois, car cela pourrait endommager le cadre de porte fourni en usine.

INSTALLATION DE L'ÉQUIPEMENT DE DISTRIBUTION



AVANT L'INSTALLATION

Ouvrez la boîte du kit de distribution et familiarisez-vous avec ses composants.

Si la tête de distribution doit être montée sur un plan de travail directement au-dessus de l'armoire réfrigérée, faites percer le plan de travail en utilisant le modèle imprimé dans l'annexe de ce manuel.

Assurez-vous que le trou d'accès dans l'armoire réfrigérée est aligné avec les trous du comptoir. Retirez tout obstacle du trou d'accès du réfrigérateur.

FR

REPLISSAGE DU CYLINDRE CO₂

La cylindre de CO₂ de 5 livres n'est pas préremplie. Un magasin de fournitures de soudage local, des emplacements qui remplissent des extincteurs, des magasins de brasseries locales et des magasins de sport qui vendent des pistolets à peinture sont parmi les endroits les plus susceptibles de remplir votre cylindre de CO₂.

À PROPOS DES COUPLEURS DE BARIL

Votre réfrigérateur à bière Hestan est fourni avec un coupleur à profil bas pour les barils du système «D», couramment utilisé pour les bières des États-Unis et du Mexique.

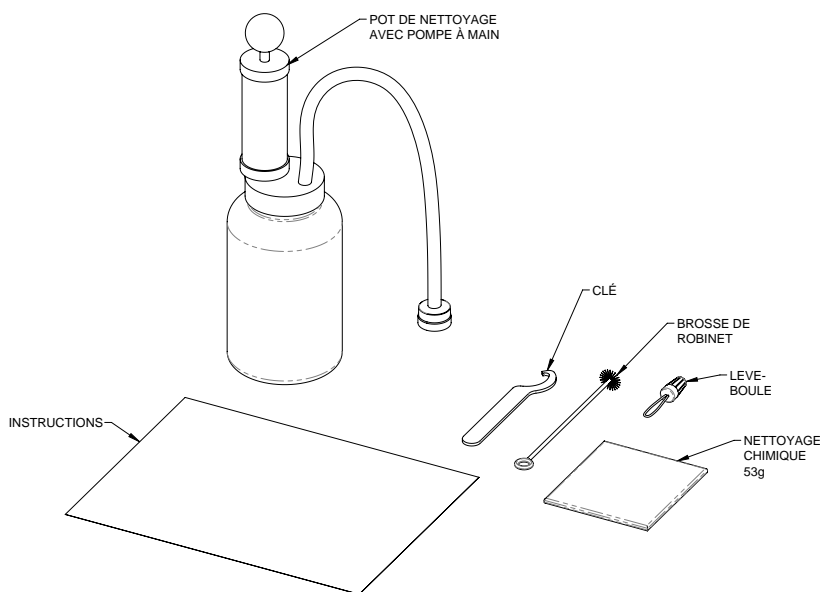
Cet coupleur **DOIVENT** être utilisés lors de l'utilisation de barils minces 1/4 ou 1/6 (23-3/8 po [59,4 cm] de hauteur). Si vous utilisez d'autres barils avec des coupleurs du système A, G, M, S ou U, vous devez utiliser un baril standard 1/4 (13-7/8 po [35,2 cm] de hauteur) pour pouvoir s'adapter à l'intérieur de l'armoire.

NETTOYAGE DU DISTRIBUTEUR

Laver soigneusement les composants du distributeur. Rincer les conduites de bière et de robinet, ainsi que le coupleur de baril avec de l'eau fraîche.

Un kit de nettoyage pour robinet de bière AGDFK est disponible à l'achat séparément.

Consultez les instructions des pages suivantes pour installer correctement l'équipement de distribution sur votre unité Hestan.

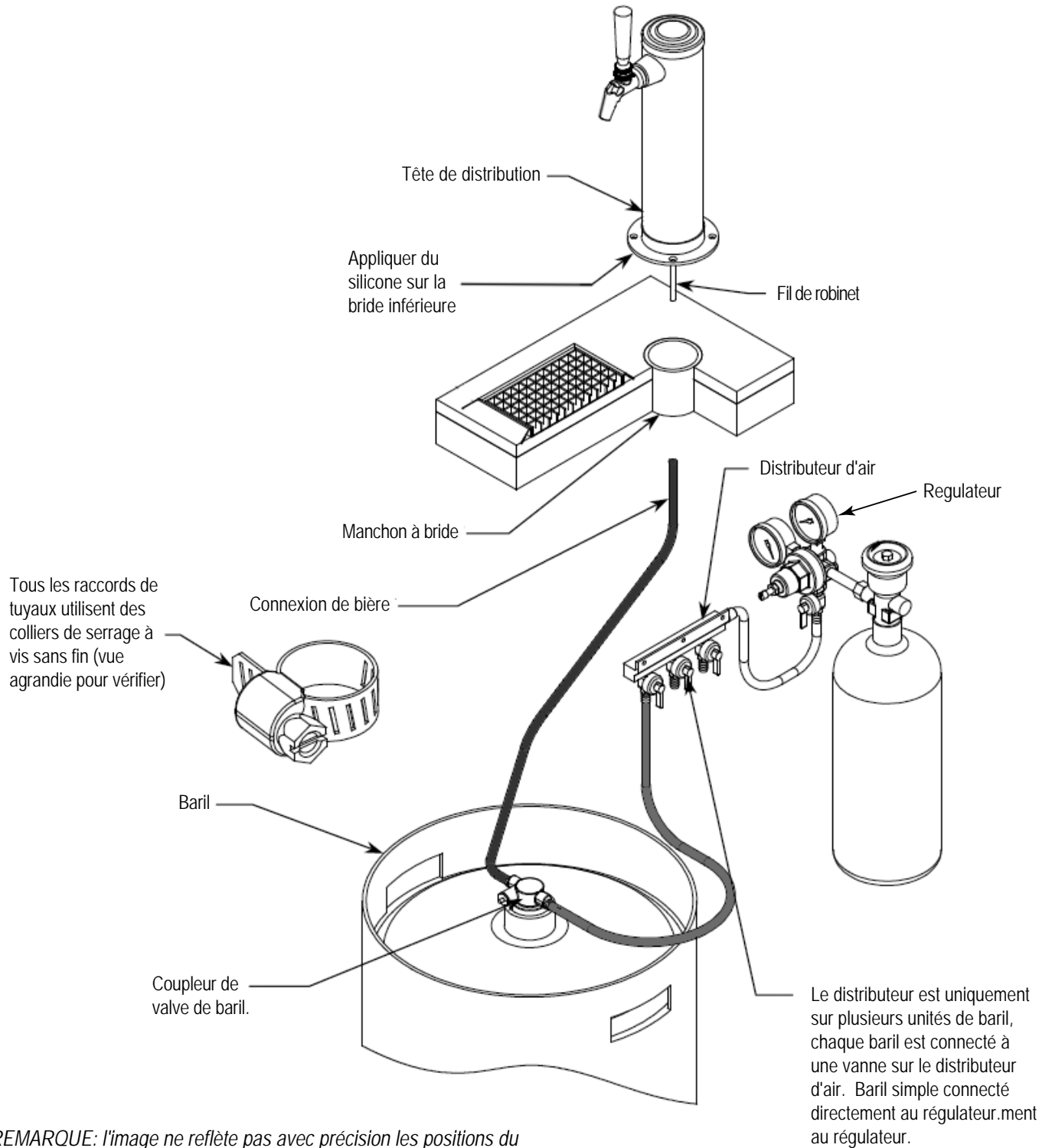


KIT DE NETTOYAGE DU ROBINET À BIÈRE (AGDFK)



INSTALLATION DE L'ÉQUIPEMENT DE DISTRIBUTION (suite)

FR



REMARQUE: l'image ne reflète pas avec précision les positions du différents éléments au sein de l'unité. Les positions et les longueurs de tuyau illustrées sont pour illustrer clairement uniquement les méthodes de connexion appropriées.

INSTALLATION DE L'ÉQUIPEMENT DE DISTRIBUTION (suite)



1. Localisez la tête de distribution, les conduites de bière noire et les colliers de serrage. Faites glisser une extrémité de chaque ligne de bière sur les tubes en acier inoxydable qui dépassent le bas de la tête de distribution et serrez fermement.



FR

2. Retirez le ruban de transport avec un couteau utilitaire autour du trou dans le haut de l'unité de l'intérieur et de l'extérieur de l'armoire. Percez doucement la mousse avec un tournevis et retirez-la. Insérez les conduites de bière dans le trou du comptoir. Déplacez la tête de côté et appliquez un cordon de silicone autour du périmètre du trou, puis remettez la tête en place. Fixez à l'aide des 4 vis chromées fournies avec la tête de distribution. Essuyez l'excès de silicone pour compléter le joint.



3. Utilisez le coussin en mousse de 3/8 po d'épaisseur inclus dans le kit et roulez dans un cylindre. De l'intérieur de l'armoire, insérez le tube en mousse à travers le trou dans le comptoir jusqu'à ce qu'il soit fermement contre l'isolation dans la tête de distribution. Marquez, puis coupez tout excès de mousse.





INSTALLATION DE L'ÉQUIPEMENT DE DISTRIBUTION (suite)

4. Installez le kit prise d'air. Commencez par retirer le jeu de vis supérieur situé au-dessus du ventilateur sur la paroi arrière de l'armoire.



5. Assemblez les composants du kit comme suit - Insérez la bague de pression noire dans le support de montage de la prise d'air, puis insérez une extrémité du tuba à air à travers la bague de pression. Un serre-câble peut être inséré derrière le support de montage pour maintenir le tube en place.



6. Insérez l'extrémité du tuba dans la tour et vissez le support de montage de la prise d'air dans les trous libres au-dessus du ventilateur.





7. Si vous installez un système à deux robinets, un collecteur de CO₂ devra être installé. Localisez les lignes de CO₂ rouges, le collecteur de CO₂ et une vis à tête #10 x 1/2 po. Faites glisser une extrémité de chaque tuyau sur les raccords cannelés du collecteur et fixez-les. Sur la paroi latérale arrière gauche du compartiment à bière se trouve une double colonne de vis qui sont montées verticalement. Retirez l'une des deux vis supérieures et jetez-la. Insérez la vis à tête dans le collecteur et dans le trou laissé précédemment.



FR

8. Sur un système à bière unique, repérez le tuyau de CO₂ rouge. Faites glisser une extrémité sur le raccord cannelé du régulateur et fixez-le. Sur les systèmes à deux bières, localisez la conduite de CO₂ qui se détache à l'arrière du collecteur. Faites glisser le tuyau sur le raccord cannelé du régulateur et fixez-le. Pour des informations détaillées sur le raccordement du régulateur à la cylindre CO₂, voir page 16.



9. Localisez le coupleur de baril à profil bas. Faites glisser l'une des lignes rouges de CO₂ sur le plus grand raccord cannelé du coupleur et fixez-le. Localisez l'une des conduites de bière noire et glissez-la sur le petit raccord cannelé du coupleur et fixez-le. Répétez l'opération pour les coupleurs supplémentaires.



Remarque:
Voir page 10 pour plus d'informations sur les coupleurs de baril.



INSTALLATION DE L'ÉQUIPEMENT DE DISTRIBUTION (suite)

10. Sur la paroi latérale arrière droite se trouve une double colonne de vis. Retirez la vis gauche. Localisez la chaîne de sécurité et une vis à tête #10 x 1/2 po du sac de pièces. Insérez la vis à travers le maillon d'extrémité fermé de la chaîne et serrez dans le trou de vis vide. La chaîne peut maintenant être utilisée pour fixer la cylindre de CO₂ avec un crochet en «S», ce qui évite d'endommager le régulateur.



11. Les cylindres CO₂ sont expédiés vides et doivent être remplis avant utilisation. Tournez le bouton de réglage du régulateur dans le sens anti-horaire jusqu'à ce que le indicateur de pression de sortie (en haut) indique zéro. Assurez-vous que la robinet au bas du régulateur où le tuyau rouge est connecté, est en position OFF (Arrêt) comme illustré à la page 17. En regardant le indicateur de pression de sortie, tournez le bouton de réglage du régulateur dans le sens horaire jusqu'à ce que la pression soit à 15 psi. Des ajustements peuvent ensuite être effectués en fonction des débits.



IMPORTANT: Tous les réglages de pression DOIVENT être effectués lorsque la vanne d'arrêt est en position OFF.

12. Localisez le(s) robinet(s) de bière et installez-le sur la tête de distribution. Serrez avec la clé fournie. Installez les poignées noires sur les robinets.



INSTALLATION DE L'ÉQUIPEMENT DE DISTRIBUTION (suite)

13. Avant de percer un baril, assurez-vous que le robinet de bière est fermé.

Pour percer un baril, insérez le coupleur dans le col du baril. Tournez le coupleur dans le sens anti-horaire jusqu'à ce qu'il s'arrête (environ 1/8 de tour), puis appuyez sur le haut du coupleur et tournez à nouveau dans le sens anti-horaire jusqu'à ce qu'il s'arrête. Votre baril est maintenant percé.

Ouvrez la robinet de CO₂ sur le régulateur ainsi que la robinet sur le collecteur si utilisé.



RACCORDEMENT DU RÉGULATEUR AU CYLINDRE DE CO₂

GAZ HAUTE PRESSION

▲ DANGER

Les cylindres de CO₂ contiennent du gaz à haute pression qui peut être dangereux s'il n'est pas manipulé correctement. Assurez-vous de LIRE et COMPRENDRE les procédures suivantes pour les cylindres de CO₂ AVANT l'installation.

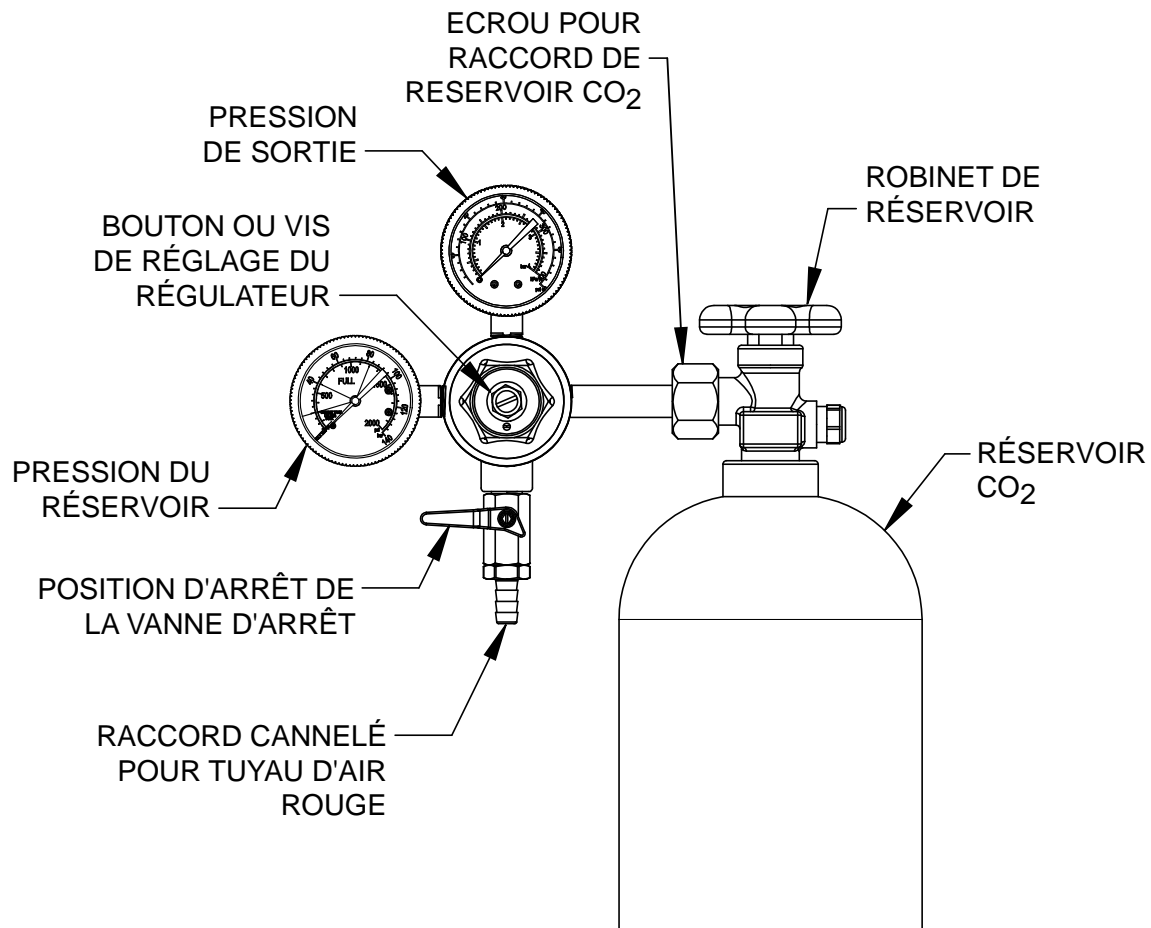
- TOUJOURS connecter la cylindre de CO₂ à un régulateur. Ne pas le faire pourrait entraîner une explosion avec la mort ou des blessures possibles lorsque la soupape de la cylindre est ouverte.
- NE JAMAIS connecter la cylindre de CO₂ directement au conteneur de produit (baril). Cela entraînera une explosion pouvant entraîner la mort ou des blessures.
- TOUJOURS suivre les procédures correctes lorsque les cylindres sont changés.
- TOUJOURS fixer le cylindre en position verticale avec une chaîne.
- NE JAMAIS laisser tomber ou jeter une cylindre de CO₂.
- TOUJOURS garder une cylindre de CO₂ à l'abri de la chaleur. Le disque de rupture est ventilé à 122°F [50°C] max.
- Conserver les cylindres supplémentaires dans un endroit frais (de préférence 70°F [21°C]). Fixez solidement avec une chaîne dans un position verticale lors du stockage. NE JAMAIS placer les cylindres à la lumière directe du soleil ou à un endroit où la température pourrait dépasser 130°F [54°C].
- TOUJOURS aérer et quitter immédiatement la zone en cas de fuite de CO₂. NE JAMAIS entrer une zone fermée où une fuite peut s'être produite.
- TOUJOURS vérifier la date du test DOT sur le col du cylindre avant l'installation. Si plus de cinq (5) ans vieux, ne pas utiliser, retourner la cylindre au fournisseur de gaz.
- NE JAMAIS connecter un contenant de produit à moins qu'il n'y ait deux (2) sécurités dans le système de pression:
 - (a) un sur ou sur le régulateur de CO₂.
 - (b) un sur ou sur le coupleur de produit ou dans la conduite de gaz sous pression.
- Les régulateurs de CO₂ sont des instruments délicats et doivent être contrôlés en permanence pour lenteur, jauges endommagées ou tout comportement inhabituel. Si l'un de ces symptômes se produit, arrêtez immédiatement l'utilisation et renvoyez le régulateur au fournisseur ou au fabricant.
- Ne laissez que du personnel correctement formé et expérimenté manipuler du gaz à haute pression.
- Ne pas appliquer d'huile sur le régulateur!

NE PAS CONNECTER LE RÉGULATEUR EN SUIVANT CORRECTEMENT CES INSTRUCTIONS PEUT RÉSULTER EN FUITES, EXPLOSIONS, ASPHYXIATION ET CAUSER DES BLESSURES GRAVES OU LA MORT.



RACCORDEMENT DU RÉGULATEUR AU CYLINDRE DE CO₂ (suite)

FR



1. Retirez le bouchon bleu du raccord du régulateur, mais ne retirez pas la rondelle carbonique.
2. Visser le régulateur sur la valve de la cylindre de gaz. Serrez l'écrou avec une clé jusqu'à ce qu'il soit verticalement droit. Assurez-vous que la robinet d'arrêt du régulateur est en position OFF (horizontale).
3. Placer le collier de serrage sur l'extrémité du tuyau d'air rouge et pousser sur le raccord cannelé du régulateur. Serrez la collier avec un tournevis.
4. Tournez le bouton de réglage du régulateur ou vissez-le dans le sens anti-horaire jusqu'à ce qu'il tourne librement.
5. Tournez le robinet de la cylindre dans le sens anti-horaire sur la cylindre de CO₂ en position complètement ouverte.
6. Tourner le bouton de réglage du régulateur ou la vis dans le sens horaire jusqu'à ce que la pression souhaitée soit atteinte (environ 12-15 psi [83-103 kPa]). Serrez l'écrou d'arrêt sur la vis de réglage.
7. Ouvrez la robinet d'arrêt au bas du régulateur.
8. Diluez une petite quantité de savon à vaisselle liquide et frottez le mélange savonneux autour des connexions. Si des bulles apparaissent, resserrez la connexion.

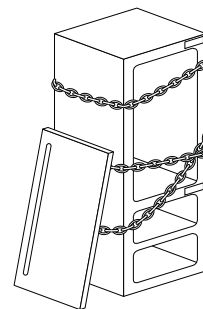
ÉLIMINATION



⚠ DANGER

Risque de coincement de l'enfant. Avant de jeter votre ancien réfrigérateur:

- Enlevez les portes.
- Laissez les étagères en place afin que les enfants ne puissent pas facilement grimper à l'intérieur.
- Ne laissez pas les enfants jouer dans, sur ou autour de l'appareil.



FR

⚠ AVERTISSEMENT

Risque d'incendie ou d'explosion. Veuillez éliminer l'appareil conformément aux réglementations fédérales ou locales pour son réfrigérant inflammable et son gaz de soufflage.

NOTES





FR

*THIS PAGE LEFT INTENTIONALLY BLANK
CETTE PAGE EST INTENTIONNELLEMENT VIDE*

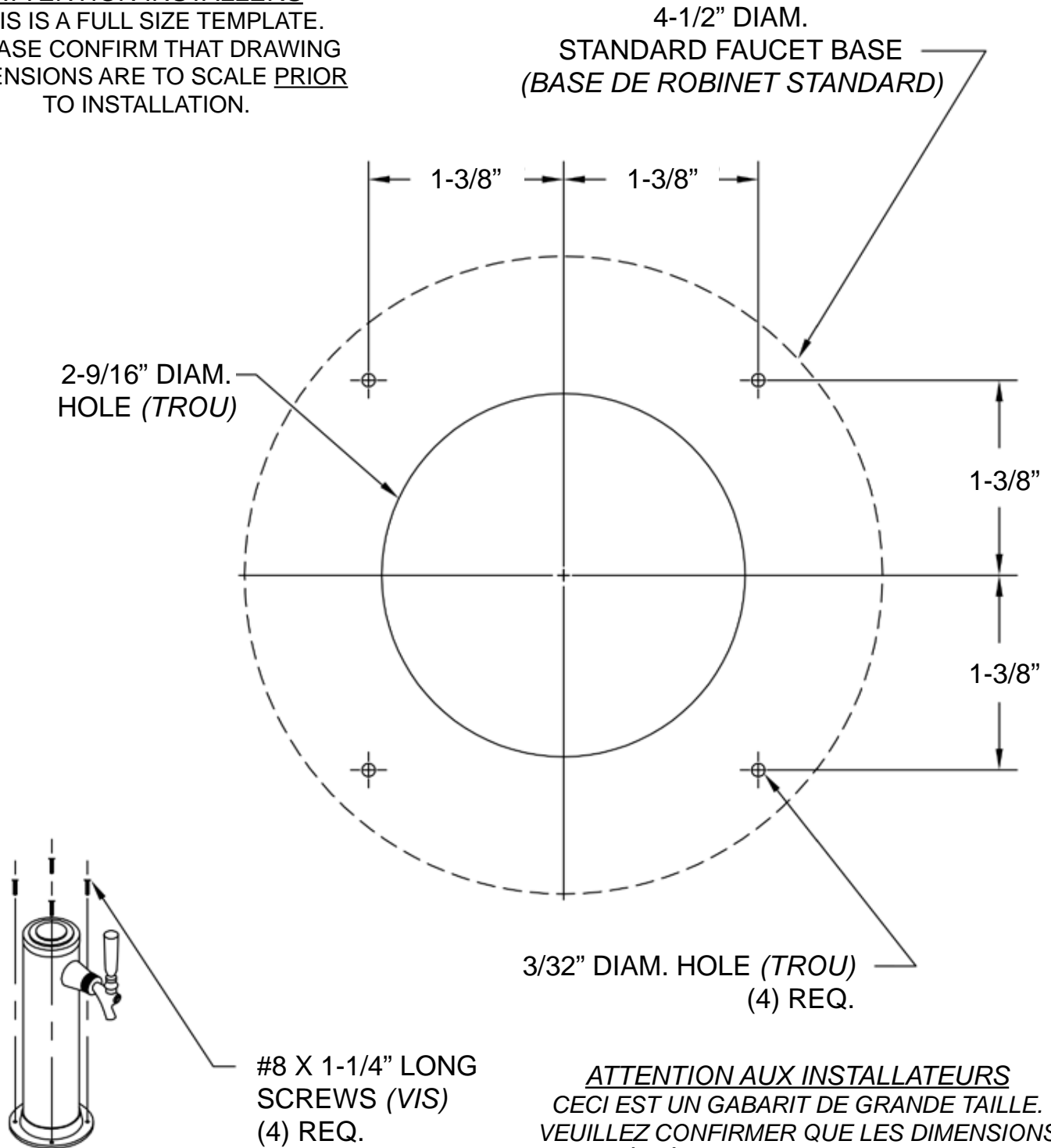


MOUNTING HOLE TEMPLATE
FOR DRAFT ARMS

GABARIT DE TROU DE MONTAGE
POUR TÊTE DE DISTRIBUTEUR

FR

ATTENTION INSTALLERS
THIS IS A FULL SIZE TEMPLATE.
PLEASE CONFIRM THAT DRAWING
DIMENSIONS ARE TO SCALE PRIOR
TO INSTALLATION.



ATTENTION AUX INSTALLATEURS
CECI EST UN GABARIT DE GRANDE TAILLE.
VEUILLEZ CONFIRMER QUE LES DIMENSIONS
SONT À L'ÉCHELLE AVANT L'INSTALLATION.

RETAIN THIS MANUAL FOR FUTURE REFERENCE
CONSERVEZ CE MANUEL POUR UNE RÉFÉRENCE FUTURE



Hestan Commercial Corporation

3375 E. La Palma Ave.
Anaheim, CA 92806
(888) 905-7463