

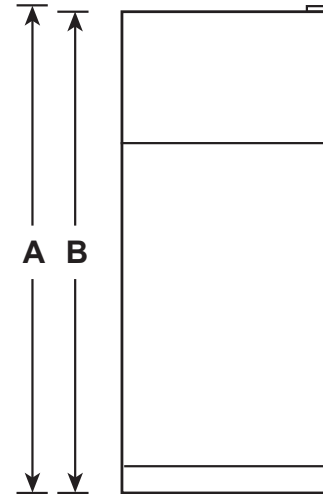
GIE19JSN

GE® ENERGY STAR® 19.1 Cu. Ft. Top-Freezer Refrigerator

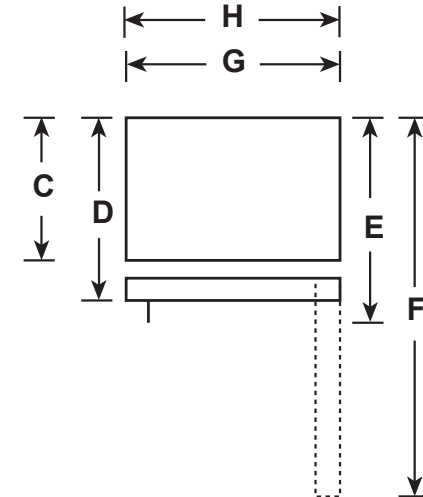
DIMENSIONS AND INSTALLATION INFORMATION (IN INCHES)

OVERALL DIMENSIONS	Height to top of hinge (in.) A	66-3/8
	Height to top of case (in.) B	65-7/8
	Case depth without door (in.) C	28-3/8
	Case depth less door handle (in.) D	32-1/8
	Case depth with door handle (in.) E	34-1/2
	Depth with fresh food door open 90° (in.) F	60-1/2
	Width (in.) G	29-3/4
	Width with door open 90° with door handle (in.) H	32-3/8
AIR CLEARANCES	Each side (in.)	1/8
	Top (in.)	1
	Back (in.)	2

FRONT VIEW



TOP VIEW



For answers to your Monogram, GE Café™ Series, GE Profile™ Series or GE Appliances product questions, visit our website at geappliances.com or call GE Answer Center® Service, 800.626.2000.



Listed by
Underwriters
Laboratories



As an ENERGY STAR® partner, GE has determined that this product meets the ENERGY STAR guidelines for energy efficiency.

GIE19JSN

GE® ENERGY STAR® 19.1 Cu. Ft. Top-Freezer Refrigerator

FEATURES AND BENEFITS

Premium inner door – Enjoy greater flexibility and organizational options with modular bins right on the door

LED lighting – Find all your favorite foods under natural-looking light

Edge-to-edge glass shelves – Enjoy a polished look and easy-access cleaning with edge-to-edge shelves that extend the full width of the refrigerator

Sliding deli drawer – Enjoy greater flexibility in your fridge and easily create more space for tall items with an innovative drawer that can be positioned wherever you prefer

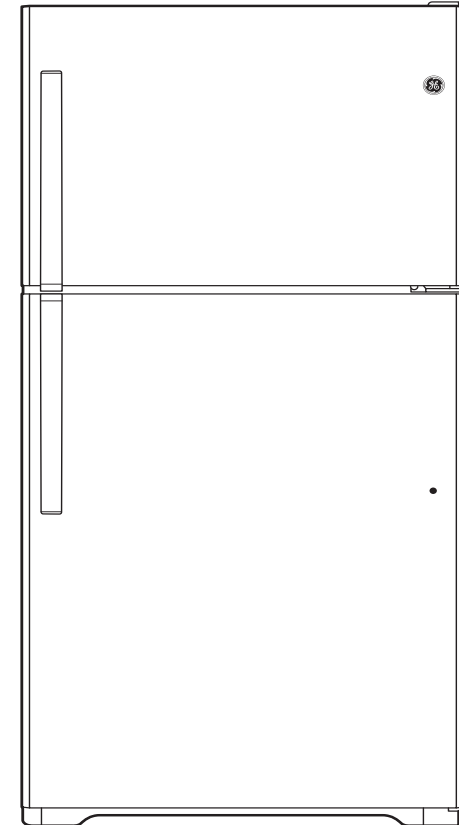
Adjustable wire freezer shelf – Easily adjusts between two positions to accommodate items of all shapes and sizes

ADA-compliant – Designed for easy operation and access

Factory-installed icemaker – Refrigerator comes ready to automatically create ice

Upfront temperature controls – Easy-to-use controls regulate both fresh food and freezer sections

Model GIE19JSNSS – Stainless steel



As an ENERGY STAR® partner, GE has determined that this product meets the ENERGY STAR guidelines for energy efficiency.