



Outdoor Ice Machine

GIML15 / GIMR15
Parts List

Hestan Commercial Corporation
3375 E. La Palma Ave.
Anaheim, CA 92806
(888) 905-7463

RETAIN THIS FOR FUTURE REFERENCE

6

5

4

3

2

1

D

D

C

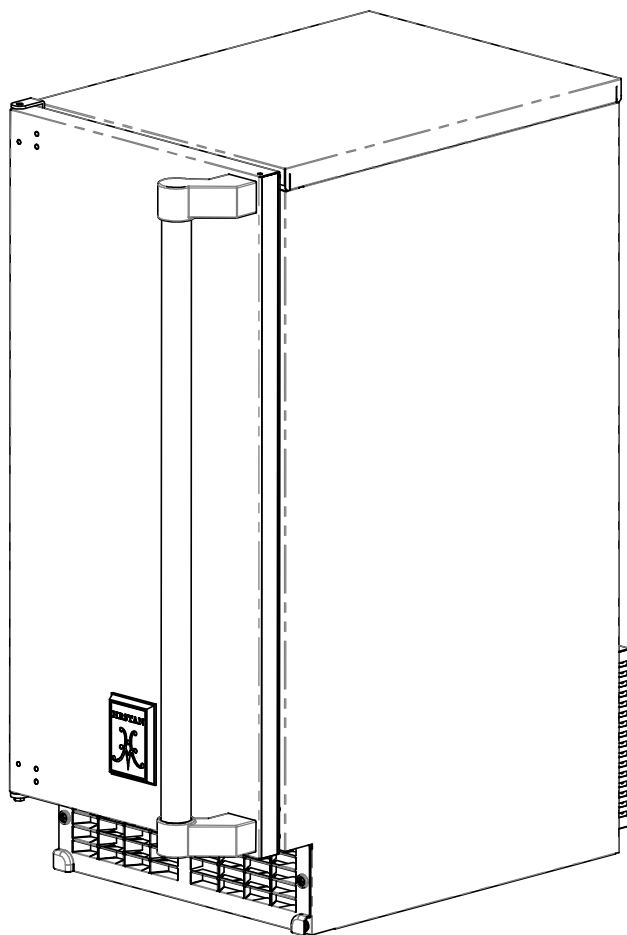
C

B

B

A

A



GIML15 SHOWN

CUSTOMER MUST SUPPLY SERIAL NUMBER WHEN ORDERING PARTS !!! OEM SUPPLIER HAS MODELS SPANNING SEVERAL YEARS WHICH ARE TIED TO THE S/N.

Hestan Model Number	Product Description
GIML15	OUTDOOR ICE MACHINE, LEFT HINGED 15"
GIMR15	OUTDOOR ICE MACHINE, RIGHT HINGED 15"



PROPRIETARY
NO PART OF THIS DOCUMENT MAY BE REPRODUCED,
STORED IN A RETRIEVAL SYSTEM, OR TRANSMITTED IN
ANY FORM, WITHOUT THE WRITTEN PERMISSION OF
Hestan Commercial Corporation. THIS DOCUMENT OR ANY
COPIES SHALL BE RETURNED UPON WRITTEN REQUEST.

DESCRIPTION

SERVICE, OUTDOOR ICE MACHINE (GIMX15)

DRAWING NO

GIMX15-SERVICE

REVISION

B

SHEET NO.

1 OF 7

6

5

4

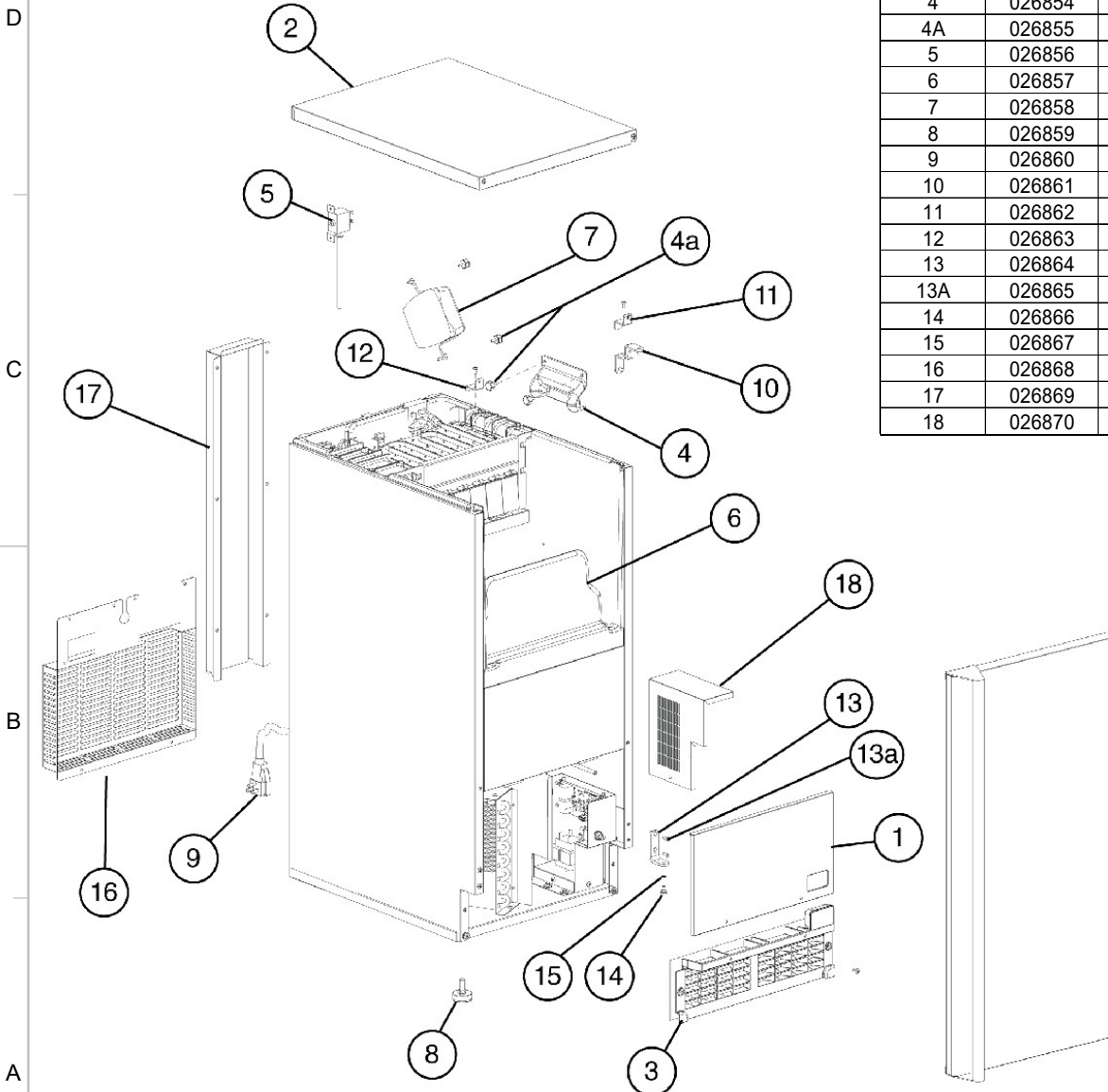
3

2

1

**SECTION A - Main Assembly
GIML15 / GIMR15**

BALLOON #	HESTAN P/N	QTY. REQ'D	DESCRIPTION
1	026851	1	SERVICE, FRONT PANEL, ICE MACHINE
2	026852	1	SERVICE, TOP PANEL, ICE MACHINE
3	026853	1	SERVICE, FRONT LOUVER, ICE MACHINE
4	026854	1	SERVICE, BIN CONTROL, THERMOSTAT BULB HOLDER, ICE MACHINE
4A	026855	2	SERVICE, THUMBSCREW, BLACK, ICE MACHINE
5	026856	1	SERVICE, BIN CONTROL, THERMOSTAT ASSY., ICE MACHINE
6	026857	1	SERVICE, SLOPE, ICE MACHINE
7	026858	1	SERVICE, SCOOP HOLDER, ICE MACHINE
8	026859	4	SERVICE, LEG, ICE MACHINE
9	026860	1	SERVICE, POWER SUPPLY CORD, ICE MACHINE
10	026861	1	SERVICE, HINGE A, ICE MACHINE
11	026862	1	SERVICE, BRACKET, HINGE A, ICE MACHINE
12	026863	1	SERVICE, TOP BRACE, ICE MACHINE
13	026864	1	SERVICE, HINGE B, ICE MACHINE
13A	026865	2	SERVICE, FLAT HEAD SCREW 4*12, ICE MACHINE
14	026866	1	SERVICE, HINGE STOP PIN, ICE MACHINE
15	026867	1	SERVICE, TOOTH WASHER M6 SUS, ICE MACHINE
16	026868	1	SERVICE, REAR PANEL, ICE MACHINE
17	026869	1	SERVICE, PIPE COVER, ICE MACHINE
18	026870	1	SERVICE, CONTROL BOX COVER, ICE MACHINE



For Doors, see Section "E"

**CUSTOMER MUST SUPPLY SERIAL NUMBER
WHEN ORDERING PARTS !!! OEM SUPPLIER
HAS MODELS SPANNING SEVERAL YEARS
WHICH ARE TIED TO THE S/N.**



PROPRIETARY
NO PART OF THIS DOCUMENT MAY BE REPRODUCED,
STORED IN A RETRIEVAL SYSTEM, OR TRANSMITTED IN
ANY FORM, WITHOUT THE WRITTEN PERMISSION OF
Hestan Commercial Corporation. THIS DOCUMENT OR ANY
COPIES SHALL BE RETURNED UPON WRITTEN REQUEST.

DESCRIPTION

SERVICE, OUTDOOR ICE MACHINE (GIMX15)

DRAWING NO

GIMX15-SERVICE

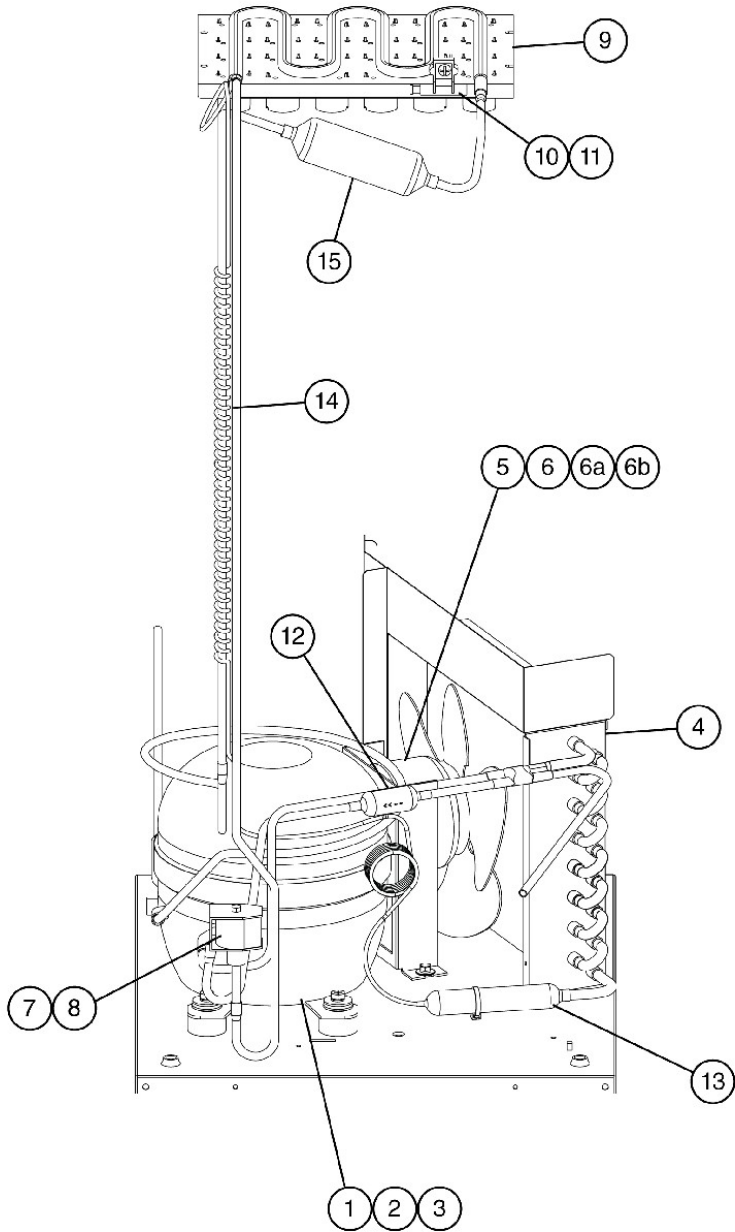
REVISION

B

SHEET NO.

2 OF 7

SECTION B - Refrigeration Circuit
GIML15 / GIMR15



BALLOON #	HESTAN P/N	QTY. REQ'D	DESCRIPTION
1	027324	1	SERVICE, COMPRESSOR, ICE MACHINE
2	027325	1	SERVICE, PTC RELAY, ICE MACHINE
3	027326	1	SERVICE, MOTOR PROTECTOR, ICE MACHINE
4	027310	1	SERVICE, CONDENSER, ICE MACHINE
5	027320	1	SERVICE, FAN MOTOR, ICE MACHINE
6	027311	1	SERVICE, FAN BLADE, ICE MACHINE
6A	027319	1	SERVICE, WASHER, ICE MACHINE
6B	027330	1	SERVICE, HEX NUT S-25467, ICE MACHINE
7	027334	1	SERVICE, VALVE BODY, ICE MACHINE
8	027335	1	SERVICE, VALVE COIL, ICE MACHINE
9	027315	1	SERVICE, EVAPORATOR, ICE MACHINE
10	027001	1	SERVICE, THERMISTOR, ICE MACHINE
11	027312	1	SERVICE, THERMISTOR, HOLDER, ICE MACHINE
12	027321	1	SERVICE, 1/4 STRAINER, ICE MACHINE
13	027323	1	SERVICE, DRIER, ICE MACHINE
14	027316	1	SERVICE, HEAT EXCHANGER, ICE MACHINE
15	027327	1	SERVICE, ACCUMULATOR, ICE MACHINE

NOTE: ITEM 14 & 15 ARE SUPPLIED TOGETHER.
 ORDER ITEM 14 ONLY.

**CUSTOMER MUST SUPPLY SERIAL NUMBER
 WHEN ORDERING PARTS !!! OEM SUPPLIER
 HAS MODELS SPANNING SEVERAL YEARS
 WHICH ARE TIED TO THE S/N.**



PROPRIETARY
 NO PART OF THIS DOCUMENT MAY BE REPRODUCED,
 STORED IN A RETRIEVAL SYSTEM, OR TRANSMITTED IN
 ANY FORM, WITHOUT THE WRITTEN PERMISSION OF
 Hestan Commercial Corporation. THIS DOCUMENT OR ANY
 COPIES SHALL BE RETURNED UPON WRITTEN REQUEST.

DESCRIPTION

SERVICE, OUTDOOR ICE MACHINE (GIMX15)

DRAWING NO

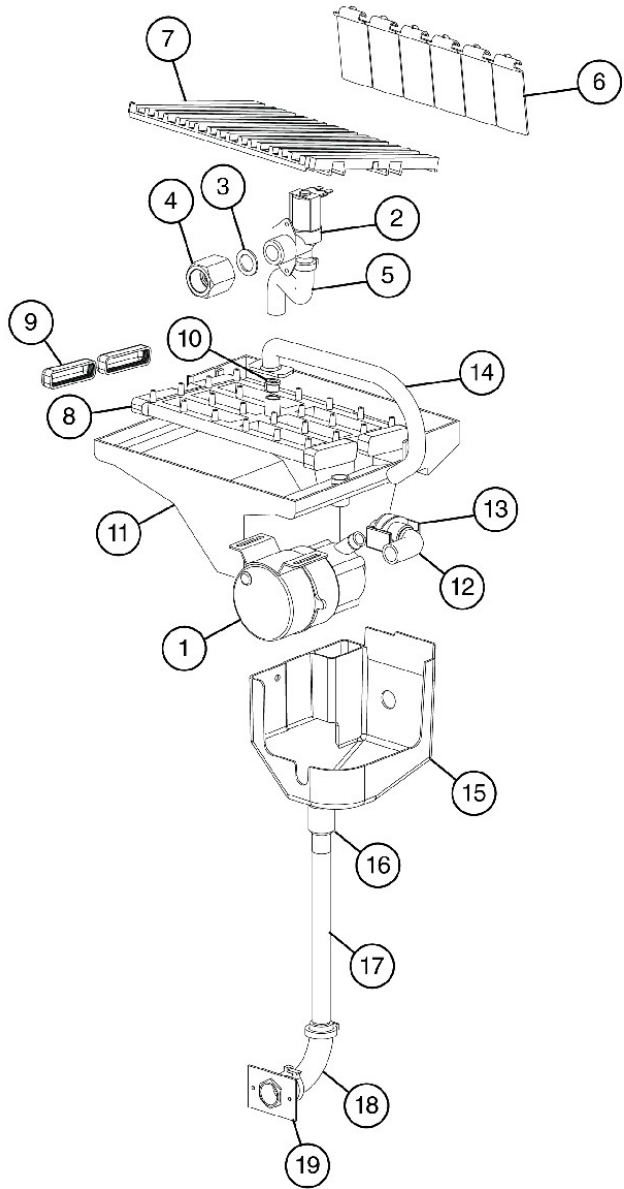
GIMX15-SERVICE

REVISION

B

SHEET NO.
 3 OF 7

**SECTION C - Water Circuit
GIML15 / GIMR15**



BALLOON #	HESTAN P/N	QTY. REQ'D	DESCRIPTION
1	027002	1	SERVICE, WATER PUMP, ICE MACHINE
1	027346	1	SERVICE, KIT, WATER PUMP, ICE MACHINE (S/N GxxxxM and earlier)
2	027003	1	SERVICE, WATER VALVE, ICE MACHINE
3	027317	1	SERVICE, RUBBER GASKET, ICE MACHINE
4	027333	1	SERVICE, FITTING C ,ICE MACHINE
5	027343	1	SERVICE, TUBE, WATER VALVE, ICE MACHINE
6	027339	6	SERVICE, SEPARATOR, ICE MACHINE
7	027313	1	SERVICE, ICE CHUTE, ICE MACHINE
8	027309	1	SERVICE, NOZZLE, ICE MACHINE
9	027341	2	SERVICE, CAP, ICE MACHINE
10	027332	1	SERVICE, REDUCING PIPE, ICE MACHINE
11	027308	1	SERVICE, WATER TANK, ICE MACHINE
12	027342	1	SERVICE, SUCTION TUBE, ICE MACHINE
13	027340	1	SERVICE, JOINT, ICE MACHINE
14	027314	1	SERVICE, DISCHARGE TUBE, ICE MACHINE
15	027307	1	SERVICE, DRAIN PAN, ICE MACHINE
16	027338	1	SERVICE, DRAIN TUBE, ICE MACHINE
17	027345	1	SERVICE, DRAIN PIPE, ICE MACHINE
18	027329	1	SERVICE, ELBOW HOSE, ICE MACHINE
19	027336	1	SERVICE, DRAIN FITTING, ICE MACHINE

CUSTOMER MUST SUPPLY SERIAL NUMBER WHEN ORDERING PARTS !!! OEM SUPPLIER HAS MODELS SPANNING SEVERAL YEARS WHICH ARE TIED TO THE S/N.



PROPRIETARY
NO PART OF THIS DOCUMENT MAY BE REPRODUCED,
STORED IN A RETRIEVAL SYSTEM, OR TRANSMITTED IN
ANY FORM, WITHOUT THE WRITTEN PERMISSION OF
Hestan Commercial Corporation. THIS DOCUMENT OR ANY
COPIES SHALL BE RETURNED UPON WRITTEN REQUEST.

DESCRIPTION

SERVICE, OUTDOOR ICE MACHINE (GIMX15)

DRAWING NO

GIMX15-SERVICE

REVISION

B

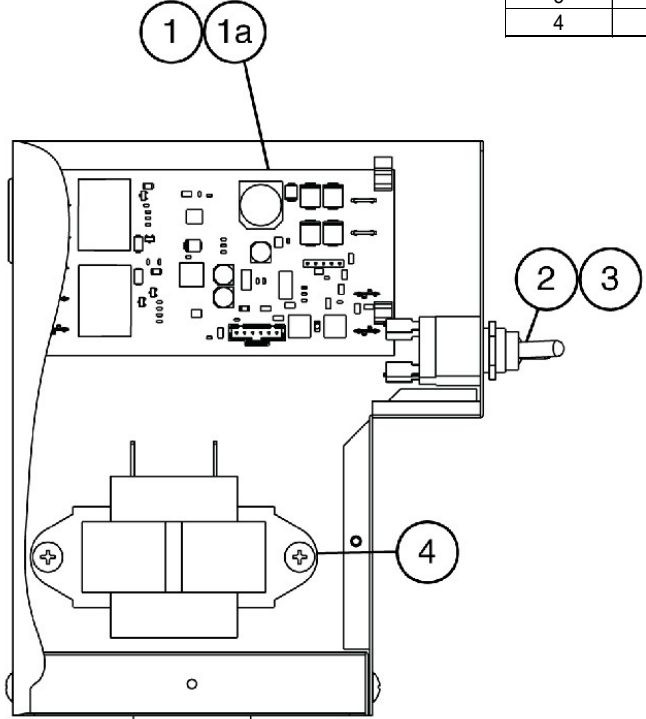
SHEET NO.

4 OF 7

SECTION D - Control Box Assembly GIML15 / GIMR15

BALLOON #	HESTAN P/N	QTY. REQ'D	DESCRIPTION
1	027004	1	SERVICE, CONTROL BOARD, ICE MACHINE
1	027347	1	SERVICE, CONTROL BOARD, ICE MACHINE (S/N GxxxxM and earlier)
1A	027328	4	SERVICE, CONTROL BOARD SUPPORT, ICE MACHINE
2	027322	1	SERVICE, TOGGLE SWITCH, ICE MACHINE
3	027331	1	SERVICE, CONTROL SWITCH CAP, ICE MACHINE
4	027005	1	SERVICE, CONTROL TRANSFORMER, ICE MACHINE

NOTE: ITEM 1 (027347) INCLUDES ITEM 4



CUSTOMER MUST SUPPLY SERIAL NUMBER WHEN ORDERING PARTS !!! OEM SUPPLIER HAS MODELS SPANNING SEVERAL YEARS WHICH ARE TIED TO THE S/N.



PROPRIETARY
NO PART OF THIS DOCUMENT MAY BE REPRODUCED,
STORED IN A RETRIEVAL SYSTEM, OR TRANSMITTED IN
ANY FORM, WITHOUT THE WRITTEN PERMISSION OF
Hestan Commercial Corporation. THIS DOCUMENT OR ANY
COPIES SHALL BE RETURNED UPON WRITTEN REQUEST.

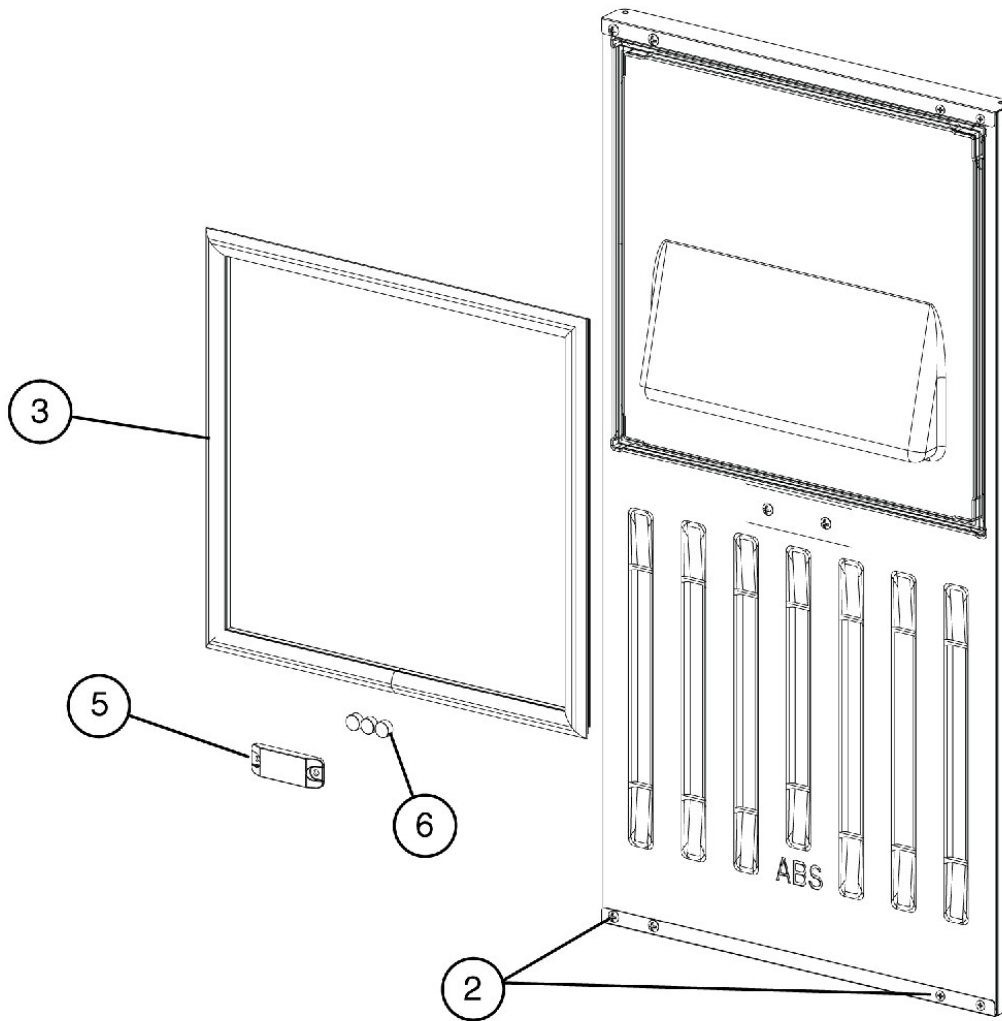
DESCRIPTION
SERVICE, OUTDOOR ICE MACHINE (GIMX15)

DRAWING NO
GIMX15-SERVICE

REVISION
B
SHEET NO.
5 OF 7

SECTION E - Door Assembly GIML15 / GIMR15

BALLOON #	HESTAN P/N	QTY. REQ'D	DESCRIPTION
1	021118	1	SERVICE, DOOR ASSY. w/ HANDLE, LEFT HINGE, OUTDOOR ICE MACHINE
1	021119	1	SERVICE, DOOR ASSY. w/ HANDLE, RIGHT HINGE, OUTDOOR ICE MACHINE
2	027318	2	SERVICE, BUSHING, ICE MACHINE
3	027006	1	SERVICE, DOOR GASKET, ICE MACHINE
5	027344	1	SERVICE, MAGNET HOLDER, ICE MACHINE
6	027337	3	SERVICE, MAGNET, ICE MACHINE



1
ITEM 1 IS COMPLETE DOOR WITH HANDLE & ENDCAPS.

CUSTOMER MUST SUPPLY SERIAL NUMBER WHEN ORDERING PARTS !!! OEM SUPPLIER HAS MODELS SPANNING SEVERAL YEARS WHICH ARE TIED TO THE S/N.



PROPRIETARY
NO PART OF THIS DOCUMENT MAY BE REPRODUCED, STORED IN A RETRIEVAL SYSTEM, OR TRANSMITTED IN ANY FORM, WITHOUT THE WRITTEN PERMISSION OF Hestan Commercial Corporation. THIS DOCUMENT OR ANY COPIES SHALL BE RETURNED UPON WRITTEN REQUEST.

DESCRIPTION
SERVICE, OUTDOOR ICE MACHINE (GIMX15)

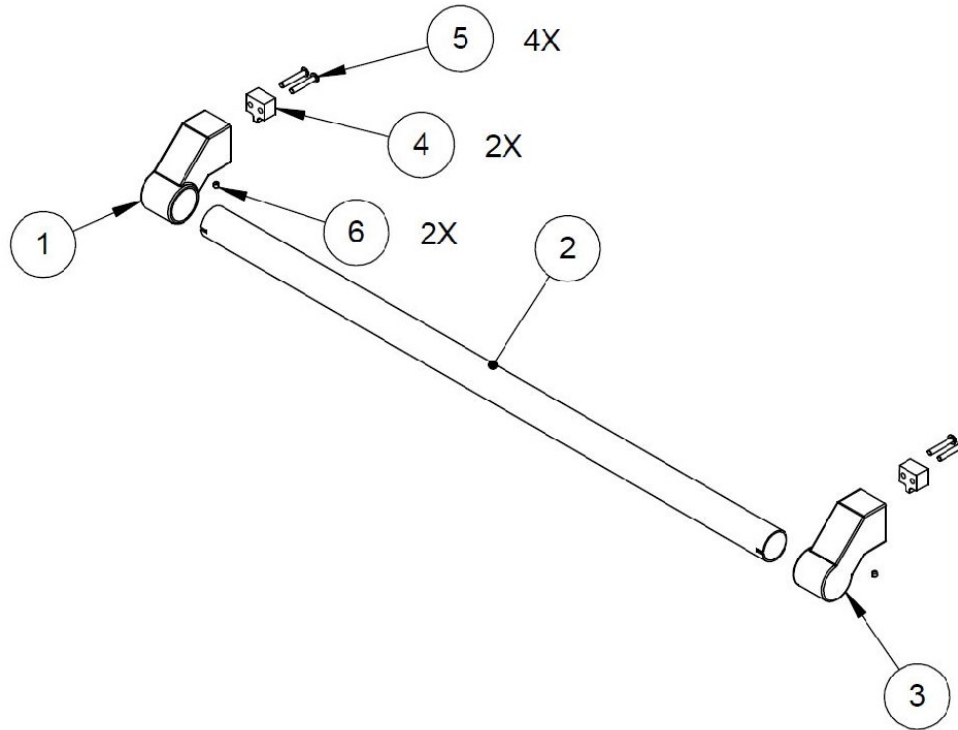
DRAWING NO
GIMX15-SERVICE

REVISION
B
SHEET NO.
6 OF 7

SECTION F - DOOR HANDLE GIML15 / GIMR15

BALLOON #	HESTAN P/N	QTY. REQ'D	DESCRIPTION
1	020656	1	ENDCAP, HANDLE, LH, INDOOR REFRIGERATOR (UPPER)
2	010181	1	HANDLE, DOOR, HOSHIZAKI
3	020657	1	ENDCAP, HANDLE, RH, INDOOR REFRIGERATOR (LOWER)
4	022094	2	CLEAT, HANDLE ATTACHMENT, INDOOR REFRIGERATOR
5	022460	4	SHCS, M5-0.8 X 30, BTN HD, SS
6	020658	2	SETSCREW, M5-0.8 X 5mm LONG, CUP PT., SS

APPLICABLE ONLY TO MODELS WITH FRONT REMOVABLE HANDLE.
PRODUCTION AFTER JUNE 2024.



**CUSTOMER MUST SUPPLY SERIAL NUMBER
WHEN ORDERING PARTS !!! OEM SUPPLIER
HAS MODELS SPANNING SEVERAL YEARS
WHICH ARE TIED TO THE S/N.**