

FRIGIDAIRE

GALLERY

2.2 Cu. Ft. Built-In Microwave

Built-In Microwave

Available Products: GMBS3068BD, GMBS3068BF

Available Colors: Black Stainless Steel, Stainless Steel

Version: 07/24



Install Trim Kit Required. Multiple sizes available.

Product Specifications

Cooking Controls

| | |
|------------------------|------------|
| Cooking Power | 1100 Watts |
| Number of Power Levels | 10 |

Microwave Control Features

| | |
|--------------|-----------------|
| + 10 Seconds | Yes - One Touch |
| + 30 Seconds | Yes - One Touch |
| Quick Start | Yes |

Display

| | |
|---------------------|------------------|
| Control Location | Right |
| Display Light Color | White |
| Display Type | Capacitive Touch |

Internal Specifications

| | |
|-------------------------|-----------|
| Interior Color | White |
| Interior Light Quantity | 1 |
| Interior Light Type | LED |
| Interior Light Wattage | 1.2 Watts |
| Turntable Diameter | 16 1/2" |
| Turntable Material | Glass |

Electrical Specifications

| | |
|-----------------------|------------|
| Connected Load @ 120V | 1.5 kW |
| Voltage Rating | 120 V |
| Watts @ 120 Volts | 1100 Watts |

General Specifications

| | |
|------------------|--------|
| Prop 65 Label | Yes |
| Warranty - Labor | 1 Year |
| Warranty - Parts | 1 Year |

Microwave Cooking

| | |
|----------------|-----|
| Auto Cook | Yes |
| Bacon | Yes |
| Beverage | Yes |
| Defrost | Yes |
| Melt / Soften | Yes |
| Popcorn | Yes |
| Potato | Yes |
| Reheat | Yes |
| Sensor Cooking | Yes |
| Sensor Reheat | Yes |
| Veggies | Yes |

Additional Settings

| | |
|------------------------|--------------------|
| Child Lock | Yes |
| Demo On / Off | Yes |
| Language Options | English and French |
| Setting Weight Lb / Kg | Yes |
| Timer On / Off | Yes |
| Volume # of Settings | 4 (Includes Off) |

Exterior

| | |
|-------------------------|-----------------|
| Door Swing | Side-Swing Door |
| Two Step Door Operation | Yes |

Dimensions and Volume

| | |
|---------------------------|-------------|
| Height | 13 5/8" |
| Width | 24 7/16" |
| Depth | 19 5/8" |
| Microwave Interior Height | 11 1/4" |
| Microwave Interior Width | 17 7/8" |
| Microwave Interior Depth | 19 1/8" |
| Microwave Capacity | 2.2 Cu. Ft. |

Installation

| | |
|----------------------------------|-----------|
| Power Supply Connection Location | Right Top |
|----------------------------------|-----------|

Safety Certifications and Approvals

| | |
|------------|-----|
| cUL Listed | Yes |
| UL Listed | Yes |

For planning purposes only. We reserve the right to change specifications or discontinue models without notice. Refer to Product Installation Guide for detailed installation instructions on the web at [frigidaire.com / frigidaire.ca](http://frigidaire.com/frigidaire.ca)
Electrolux Major Appliances, N.A.

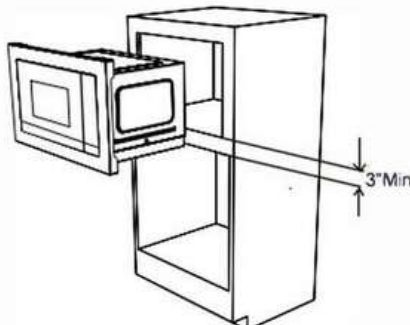
USA • 10200 David Taylor Drive • Charlotte, NC 28262 • Charlotte, NC 28262 • 1-877-4electrolux (1-877-435-3287) • frigidaire.com
CANADA • 5855 Terry Fox Way • Mississauga, ON L5V 3E4 • 1-800-265-8352 • frigidaire.ca

Installation Diagram

CABINET OR WALL CUTOUT

Cutout Dimensions

| | | |
|------------|---------|-------------------|
| Height (A) | Minimum | 16" 3/4 (42.5 cm) |
| | Maximum | 17" (43.2 cm) |
| Width (B) | Minimum | 24 3/4" (62.9 cm) |
| | Maximum | 25" (63.5 cm) |
| Depth (C) | Minimum | 20" (50.8 cm) |



..... **30"**
TRIM KIT



30" STAINLESS TRIMKIT
(GMTK3068AF)

..... **27"**
TRIM KIT



27" STAINLESS TRIMKIT
(GMTK2768AF)

* MICROWAVE (GMBS3068BF) PICTURED ABOVE PAIRED WITH STAINLESS STEEL TRIM KIT (GMTK3068AF / GMTK2768AF)

* Trim Kit Sold Separately

..... **30"**
TRIM KIT



30" DARK STAINLESS TRIMKIT
(GMTK3068AD)

..... **27"**
TRIM KIT



27" DARK STAINLESS TRIMKIT
(GMTK2768AD)

* MICROWAVE (GMBS3068BD) PICTURED ABOVE PAIRED WITH BLACK STAINLESS STEEL TRIM KIT (GMTK3068AD / GMTK2768AD)

* Trim Kit Sold Separately

| Model Number | Color | Description |
|--------------|----------|----------------|
| GMBS3068BF | SS | Microwave |
| GMBS3068BD | Black SS | Microwave |
| GMTK3068AF | SS | * 30" trim kit |
| GMTK2768AF | SS | * 27" trim kit |
| GMTK3068AD | Black SS | * 30" trim kit |
| GMTK2768AD | Black SS | * 27" trim kit |

* Trim Kit Sold Separately

| Trim Kit Overall Dimensions | | |
|-----------------------------|-----------------|-----------------|
| | 27" | 30" |
| Height | 18" (460.8 mm) | 18" (460.8mm) |
| Width | 27" (685.8mm) | 30" (759mm) |
| Depth | 1 3/5" (40.9mm) | 1 3/5" (40.9mm) |