

AUTOMATIC ICE MAKER INSTALLATION INSTRUCTIONS

An authorized service technician is recommended to install the ice maker kit.

WARNING

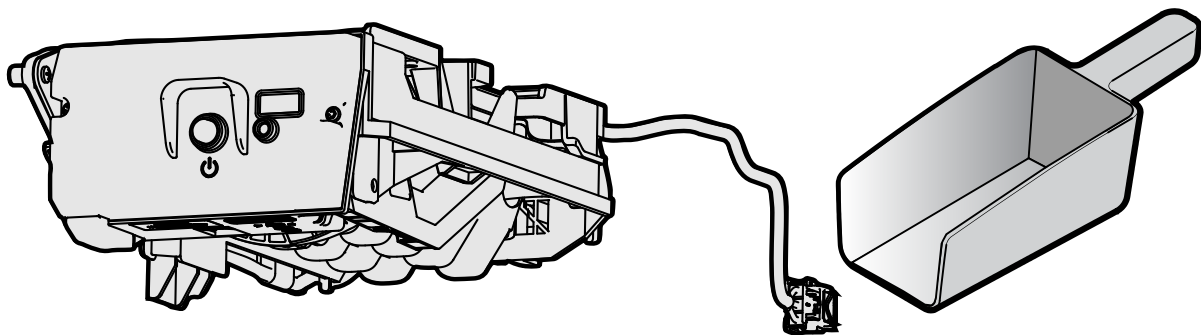
- To avoid electric shock, which can cause death or severe personal injury, disconnect the refrigerator from electrical power before connecting a water supply line to the refrigerator.
- Connect the ice maker to a potable water supply only.

Tools Needed:

- | | |
|--------------------------|--|
| • Flat head screw driver | • Phillips or Quadrex screw driver (PH 02) |
| • Gloves | |

NSF/ANSI/CAN 61: Q ≤ 1

Ice Maker Kit IMKQT22A Components

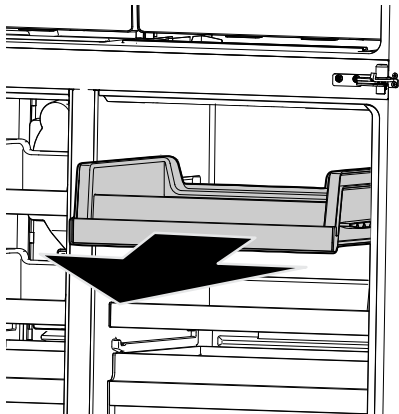


Bracket Instructions:

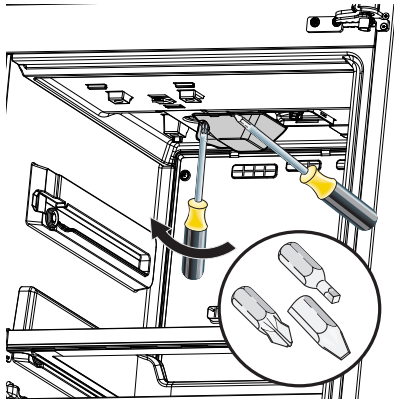
1. Attach the bracket to the top of the ice maker.
2. Secure the bracket to the ice maker using the supplied screw.

Ice Maker Installation Instructions

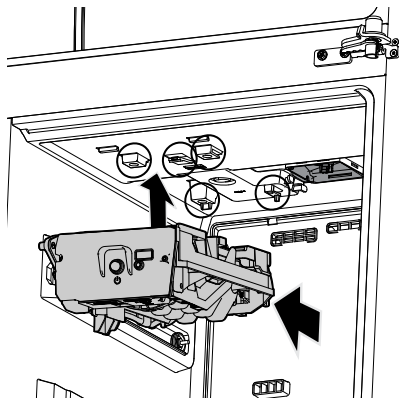
1. Unplug the refrigerator from the electrical outlet.
2. Lift the freezer drawer out. Set aside.



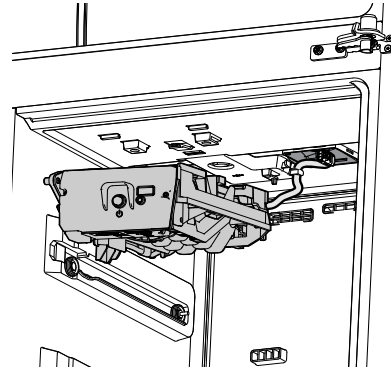
3. Remove the connector cover, located on the inside of the freezer next to the ice maker, by removing the screw on the top side with a Phillips or Quadrex screwdriver. Then remove the cover with the aid of a flathead screwdriver as shown below (using indicated holes).



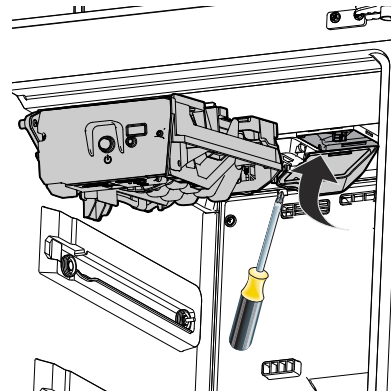
4. Align the top of the ice maker with the hooks in the ceiling of the freezer. Then pull the ice maker forward so that it snaps into the hooks. Make sure it is held by all 4 hooks.



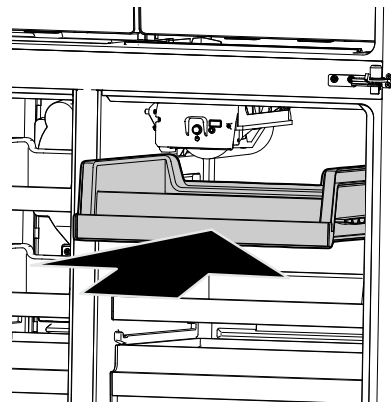
5. Plug the ice maker's electrical connector into the mating connector in the ceiling of the freezer. Wrap the wire around and through the hooks as shown in the image below. The wire must be pulled tightly to hold in the hooks.



6. Reinstall the cover over the connector and the ice maker wire by inserting the back of the cover as indicated. Then rotate the cover upward and snap it into the housing. After the cover is snapped into the housing, insert screw to secure the cover.



7. To reinstall the freezer drawer, slide it into place until it is completely back to original position. The freezer drawer will now serve as the ice bin.



Ice Service

The automatic ice maker will produce minimal ice during the first 24 hours of operation. Air in new plumbing lines may cause the ice maker to cycle 2 or 3 times before making a full tray of ice. With no usage, it will take approximately 1 to 2 days to fill the ice bin.

New plumbing connections may cause the first production of ice cubes to be discolored or have an odd flavor. Discard ice made during the first 24 hours.

Turning Your Ice Maker On

After the plumbing connections have been completed, the water supply valve must be opened. Be sure that the ice container is under the ice maker, pushed back as far as possible. Press the ice maker's On/Off button to turn the ice maker On. The ice maker is On when the button is illuminated green.

Turning Your Ice Maker Off

To stop the ice maker, press the ice maker's On/Off button. The ice maker is Off when the button is not illuminated. The ice maker also stops producing ice automatically and enters a standby mode when the bin is full, and then resumes production when the level of ice in the bin drops.



IMPORTANT

To ensure proper function for your ice maker, hook up water supply immediately or turn ice maker Off. If the ice maker is On and the water supply is not connected, the water valve will make a loud chattering or buzzing noise when the ice maker tries to fill with water.

Ice Production: What To Expect

The ice maker will produce 2 to 2.5 pounds of ice every 24 hours depending on usage conditions. Ice bin capacity is approximately 6 pounds.

Ice Maker Tips

Remember that water quality determines your ice quality. If the water source uses a water softener, ensure that the softener is maintained and working properly. Chemicals from a malfunctioning softener can damage the ice maker.

- Wash ice container in warm water with mild detergent Rinse well and dry.
- Turn off the ice maker when cleaning the freezer or when on vacation.