

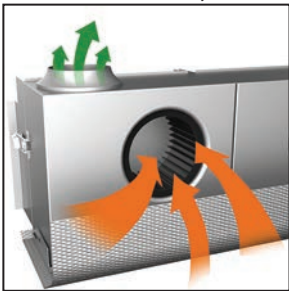
STANDARD FEATURES



OUTDOOR CANOPY HOODS

- Unique CircuFlow Ventilation System™ with centrifugal blower design prevents grease and contaminants from collecting in ductwork for safe operation.
- Baffle-less, variable speed blower CircuFlow Ventilation System™ collects 70% more grease than most competing models.

CircuFlow Ventilation System™



Removable blower Housing



LED lighting



12 Color Options



- Ultra-quiet CircuFlow Ventilation System™ provides best-in-class air flow and extraction efficiency.
- Appropriate CFM specifications to perfectly match any Hestan grill (see specification recommendations) for optimized fume and grease extraction.
- Removable blower components are dishwasher-safe for easy cleaning.
- Optimized low-temp LED lighting for optimum illumination.
- Blower speed automatically increases when higher temperatures are detected and when full blower power is not needed the blower speed automatically lowers for even quieter operation.
- Marquise Accented™ front face profile compliment design integrity.
- Outdoor rated.
- Available in 42", 48", 54" widths.

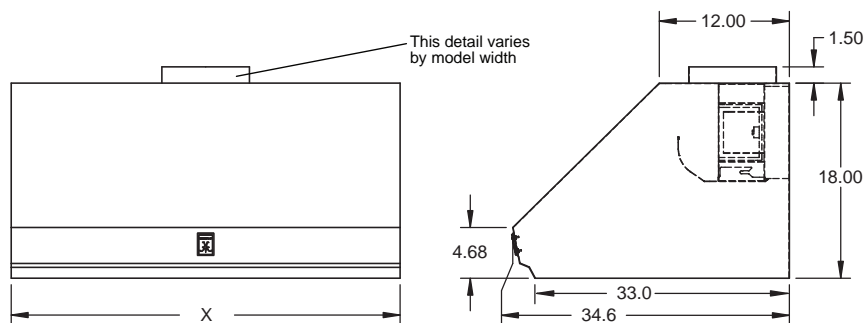
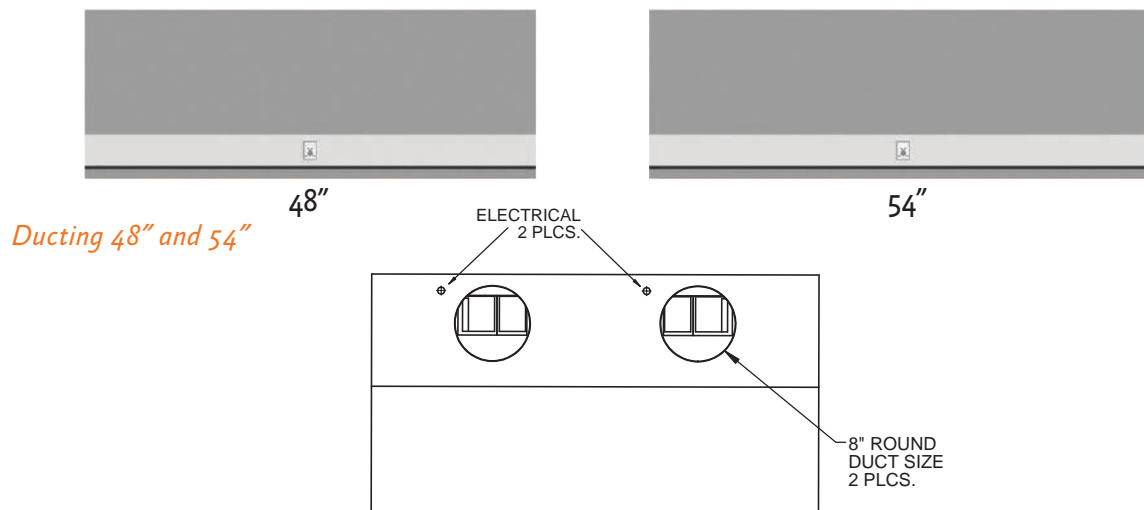
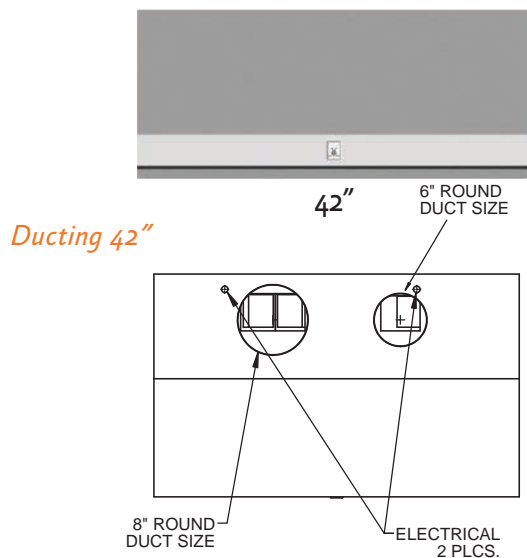


GVP42 Model Shown

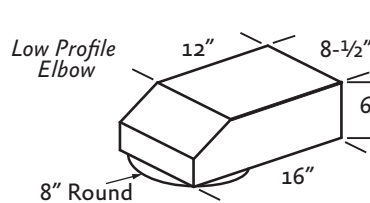
OPTIONS & ACCESSORIES

- Available in Twelve (12) Hestan signature color finishes.
- Duct Covers in (12) colors.

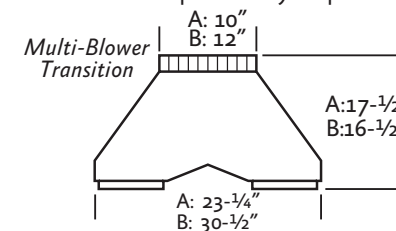
NOTE : SEE INSTALLATION MANUAL FOR MORE DETAILS



Vent Accessories - Refer to manual for vent accessories and options for your particular install



| MODEL | DESCRIPTION |
|--------|-------------------------------|
| AKVBE8 | 8" Round to 6" x 8-1/2" Rect. |



| ITEM | MODEL | DESCRIPTION |
|------|----------|----------------|
| A | AKVT6810 | 6" & 8" to 10" |
| B | AKVT8812 | 8" & 8" to 12" |



| ALL Models | Description | Width Dimensions | | Recommended for Grill Size | CFM SP@0.0" | Equivalent CFM** | Duct Sizes Needed | Volts | Amps | Hz | RPM | Sones | # Lights | Approx SHP WT (lbs) |
|------------|------------------------|------------------|--|----------------------------|-------------|------------------|-------------------|-------|------|----|------|-------|----------|---------------------|
| | | X (in.) | | | | | | | | | | | | |
| GVP42 | 42" Pro Canopy Outdoor | 41.88 | | 30" | 900 | 1350 | 10" | 120 | 6.0 | 60 | 1550 | 6.3 | 3 | 80 |
| GVP48 | 48" Pro Canopy Outdoor | 47.88 | | 36" | 1200 | 1800 | 12" | 120 | 7.5 | 60 | 1550 | 6.6 | 3 | 95 |
| GVP54 | 54" Pro Canopy Outdoor | 53.88 | | 42" | 1200 | 1800 | 12" | 120 | 7.5 | 60 | 1550 | 6.6 | 4 | 105 |

**When comparing the Hestan system with blower units made by other manufacturers, use the "Equivalent CFM"

Hestan Outdoor products are approved for outdoor use only. See installation manuals for details. Hestan Commercial Corporation reserves the right to change materials and specifications without notice.