



OUTDOOR COOKING

Outdoor Warming Drawer
GWD

Use and Care Manual
Installation Instructions

 HESTAN

WARNING

IF THE INFORMATION IN THIS MANUAL IS NOT FOLLOWED EXACTLY, A FIRE OR EXPLOSION MAY RESULT CAUSING PROPERTY DAMAGE, PERSONAL INJURY, OR DEATH.

Do not store or use gasoline or other flammable vapors and liquids in the vicinity of this or any other appliance.

Installation and service must be performed by a qualified installer or service agency.


DO NOT REPAIR, REPLACE OR REMOVE ANY PART OF THE APPLIANCE UNLESS SPECIFICALLY RECOMMENDED IN THE MANUALS. IMPROPER INSTALLATION, SERVICE OR MAINTENANCE CAN CAUSE INJURY OR PROPERTY DAMAGE. REFER TO THIS MANUAL FOR GUIDANCE. ALL OTHER SERVICING SHOULD BE DONE BY A HESTAN AUTHORIZED SERVICE TECHNICIAN.

READ THESE INSTRUCTIONS CAREFULLY AND COMPLETELY BEFORE INSTALLING OR USING YOUR APPLIANCE TO REDUCE THE RISK OF FIRE, BURN HAZARD, OR OTHER INJURY. KEEP THIS MANUAL FOR FUTURE REFERENCE.

SAFETY DEFINITIONS

 WARNING THIS INDICATES THAT DEATH OR SERIOUS INJURY MAY OCCUR AS A RESULT OF NOT OBSERVING THIS WARNING

 CAUTION THIS INDICATES THAT MINOR OR MODERATE INJURY MAY OCCUR AS A RESULT OF NOT OBSERVING THIS WARNING.

 NOTICE THIS INDICATES THAT DAMAGE TO THE APPLIANCE OR PROPERTY MAY OCCUR AS A RESULT OF NOT OBSERVING THIS WARNING.

INSTALLER: LEAVE THIS MANUAL WITH THE OWNER OF THE APPLIANCE.

HOMEOWNER: RETAIN THIS MANUAL FOR FUTURE REFERENCE.

**HESTAN OUTDOOR, MOST
POWERFUL, VERSATILE
AND RELIABLE OUTDOOR
COOKING AVAILABLE.**





Message from Hestan:

Outdoor cooking is a perfectionist's pursuit, and with your new investment, you've now taken the ultimate step forward. We sincerely welcome you to the Hestan Family. We've engineered and built our products so that your guests will rave about your meal, but deep down, our customers know it could've been just a little more tender, juicier – a pinch more salt in the rub or a few seconds less on the flame. Yes, we've taken the time to know our Hestan customer and we're excited to be on this journey with you. Hestan Outdoor was born from this same perfectionist passion. Our engineers experimented, innovated, tweaked and tinkered until they created the most powerful, versatile and reliable outdoor products available.

We pride ourselves on restless innovation, superior engineering and purpose-built designs, but also our in-depth understanding of our target consumer and the interests and needs of the ultimate end-users we serve and covet. For many consumers, cooking outdoors is much more than an act of food preparation. It's a lifestyle activity that encompasses culinary, leisure and social pursuits among others.

We are thankful and proud that you have chosen Hestan, and we yearn to have you as a customer for life. We take your decision to choose Hestan most seriously, and we promise to deliver the very best to you.

Welcome to Hestan Outdoor

TABLE OF CONTENTS



EN

5	MODEL NUMBERS
5	RATING LABEL
5	REGULATORY / CODE REQUIREMENTS
6	SAFETY PRECAUTIONS - BEFORE YOU BEGIN
8	USING THE WARMING DRAWER
12	CLEANING AND MAINTENANCE
15	TROUBLESHOOTING
16	INSTALLATION
20	INSTALLATION - CUSTOM DRAWER FACE (-OV MODELS)
22	WIRING SCHEMATIC
23	PARTS / SERVICE
23	LIMITED WARRANTY

⚠️ WARNING

ELECTRICAL SHOCK HAZARD

Disconnect power before installing or servicing appliance. Failure to do so can result in death or electrical shock.

ELECTRICAL GROUNDING

This appliance must be grounded. Grounding reduces the risk of electric shock in the event of a short circuit.

ELECTRICAL SUPPLY

Important: This appliance must be electrically grounded in accordance with local codes, or in the absence of local codes with the National Electrical Code, *ANSI/NFPA 70-1990*.

⚠️ WARNING

Appliances equipped with a flexible electrical supply cord are provided with a three-prong grounding plug. It is imperative that this plug be connected to a properly grounded three-prong receptacle. If the receptacle is not the proper grounding type, contact an electrician. Do not remove the grounding prong from this plug.

This appliance is designed to use a grounded receptacle, 120 VAC Single Phase, 60 Hz, with a current rating as shown in the model number listing on page 5. When installed outdoors, it must be plugged into a Ground Fault Circuit Interrupter (GFCI) protected circuit.

Have the installer show you where the electric circuit breaker is located so you know how to shut off the power to this appliance.





MODEL NUMBERS

MODEL NO.	DESCRIPTION	CIRCUIT BREAKER REQ'D
GWD30	30" Outdoor Warming Drawer	15 Amp

EN




RATING LABEL

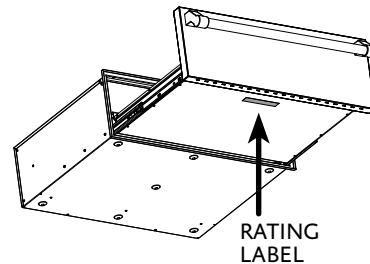
The rating label contains important information about your Hestan appliance such as the model number, serial number, and electrical rating.

The rating label is located on the bottom of the drawer.

If service is necessary, contact Hestan Customer Care with the model and serial number information shown on the label.

HESTAN COMMERCIAL CORP. ANAHEIM, CA - USA		CONFORMS TO UL STD. 1026 CERTIFIED TO CSA STD. C22.2 No. 64-19 HOUSEHOLD USE ONLY OUTDOOR APPROVED		PATENTED: http://www.hestanhome.com/patents.pdf
VOLTS	120	MODEL / MODÈLE	 261010	
Hz	60			
PHASE	1	SER. NO. / NO. SÉR.		
AMPS	15			
		CONFORME À LA NORME UL STD. 1026 CERTIFIÉ À LA NORME CSA STD. C22.2 No. 64-19 USAGE DOMESTIQUE UNIQUEMENT APPROUVÉ PAR USAGE EXTÉRIEUR		

TYPICAL RATING LABEL



REGULATORY / CODE REQUIREMENTS

Installation of this cooking appliance must be made in accordance with local codes. In the absence of local codes, this unit should be installed in accordance with the National Electrical Code and local codes.

This appliance must be electrically grounded in accordance with local codes or in the absence of local codes with the National Electrical Code *ANSI/NFPA 70*, or Canadian Electrical code *CSA C22.1*.

SAFETY PRECAUTIONS - BEFORE YOU BEGIN



When properly cared for, your Hestan appliance will provide safe, reliable service for many years. When using this appliance, basic safety practices must be followed as outlined below.

IMPORTANT: Save these instructions for the local Utility Inspector's use.

INSTALLER: Please leave these Installation Instructions with the owner.

OWNER: Please retain these Installation Instructions for future reference.

This appliance is NOT designed for installation in manufactured (mobile) homes or recreational park trailers. This appliance is rated for household indoor use, or outdoor use when connected to a properly grounded GFCI-protected circuit.

EN

GENERAL APPLIANCE SAFETY PRECAUTIONS

Please read all instructions before using this appliance.

⚠️ WARNING

Read all instructions carefully before using this appliance. These precautions will reduce the risk of burns, electric shock, fire, and injury to persons. When using kitchen appliances, basic safety precautions must be followed, including the following:

TECHNICAL SAFETY

Do not repair or replace any part of the warming drawer unless specifically recommended. Refer service to an authorized servicer.

Do not operate this appliance if it is not working properly or if it has been damaged, until an authorized servicer has examined it.

Install or locate this appliance only in accordance with the Installation Instructions. Do not cover or block any openings on this appliance.

Use this warming drawer only as described in this manual. If you have any questions, contact Hestan Customer care.

Use this appliance only for its intended use as described in this manual. Do not use corrosive chemicals, vapors, or nonfood products in this appliance. This type of warming drawer is specifically designed to heat or cook. It is not designed for industrial or laboratory use. The use of corrosive chemicals in heating or cleaning will damage the appliance.

CHILD SAFETY

⚠️ CAUTION

IT IS THE RESPONSIBILITY OF THE PARENTS OR GUARDIANS TO ENSURE CHILDREN ARE INSTRUCTED IN THE SAFE USE OF THIS APPLIANCE. Do not allow children to use this appliance without adult supervision. Do not allow children to play in or around the appliance, even when not in use. Items of interest to children should not be stored in or on the appliance or in cabinets above the appliance. Children climbing on the appliance could be seriously injured.

FOOD SAFETY

If food will be held for more than one hour, it must be held at 140°F [60°C] or above. Use a food thermometer to check.



SAFETY PRECAUTIONS - BEFORE YOU BEGIN *(continued)*

GENERAL SAFETY

When using electrical appliances, basic safety precautions should always be followed including the following:

- Do not touch hot surfaces. Use handles or knobs.
- To protect against electrical shock do not immerse cord or plug in water or other liquid.
- Close supervision is necessary when any appliance is used by or near children.
- Unplug from outlet or turn breaker off before cleaning. Allow to cool before removing or replacing parts.
- Do not operate any appliance with a damaged cord or plug or after the appliance malfunctions or has been damaged in any manner. Return appliance to the nearest authorized service facility for examination, repair, or adjustment.
- The use of accessory attachments not recommended by Hestan may cause injuries.
- Do not let cord hang over edge of table or counter, or touch hot surfaces.
- Extreme caution must be used when moving anything containing hot oil or other hot liquids.
- Do not use appliance for other than intended use.
- The inside of the appliance can reach temperatures of 200°F [93°C] depending on the selected temperature and the time of operation. If necessary use gloves to remove items from the drawer.
- Do not lean or sit on the warming drawer when opened, this could cause damage to the drawer slides. The maximum carrying weight of the warming drawer is 80 lbs. [36 kg].
- Do not keep plastic containers or any flammable objects in the appliance. Such objects pose a risk of catching fire once the warming drawer is turned on.
- In the event that personal clothing or hair catches fire, DROP AND ROLL IMMEDIATELY to extinguish flames.

Save these Instructions.

SAFETY DURING CLEANING

Never use a vacuum cleaner. The vacuum could create pressure on the components causing a short circuit. The vacuum may also damage the components of the appliance, damages for which Hestan will not be liable.

Follow suggestions listed under “Cleaning and Maintenance” in this manual.

Never use sharp metal objects or abrasive scrubbing pads, as they can damage the surface of the appliance. If necessary, use standard non-abrasive utensils made of wood or plastic.

REPAIRS

Maintenance work and/or repairs must be performed exclusively by qualified personnel. Incorrect installation and maintenance can cause personal injury to the consumer for which Hestan will not be liable.

During the warranty period, the appliance may only be serviced by technicians authorized by Hestan or the warranty will be void.

Before beginning maintenance, installation, or repair work, disconnect the appliance from the electrical outlet. The appliance is disconnected only if either:

1. The circuit is turned off (Breaker OFF or the electrical fuse is removed), OR
2. The cord of the appliance is removed from the electrical outlet.

Hestan will not be liable for damage caused by a failure to follow current regulations or the use of non-original replacement parts.

USING THE WARMING DRAWER



EN

OPENING THE SOFT CLOSING DRAWER

To open the drawer grasp the handle and pull the drawer.

CLOSING THE DRAWER

To close the drawer, gently push the drawer back to engage the soft-close slides of the drawer.

BEFORE YOU BEGIN

Before using the appliance for the first time:

1. Make sure that all packaging materials have been removed from the unit.
 2. Gently clean it with a moist cloth and dry it completely as described under "Cleaning and Maintenance". Replace the silicone mat on the floor of the drawer.
 3. Set the control to 150°F [65°C] and let the warming drawer warm for at least two hours (see OPERATION on pg. 10 for details). Be sure that the kitchen is kept well ventilated during the heating period.
- The metal parts have been specially treated with a protective coating that can sometimes cause odors the first time the drawer is heated. These odors will quickly dissipate and should not be considered a defect of the appliance.

HEATING SYSTEM

The appliance is equipped with a hot air ventilating system. A convection fan distributes heat in the warming drawer to obtain a uniform temperature.

- The thermostat allows the user to control and set the appliance at 4 preset temperatures.
- The circulation of the air heats the drawer in a rapid and uniform way.
- It is not possible to accidentally touch the heating element or the fan.

CHANGING TEMPERATURE SCALE

The unit is set to the Fahrenheit (°F) temperature scale by default. If you wish to change to Celsius (°C), do the following:

1. With unit off, press the TEMP button then POWER button and hold for 30 seconds. The control is in °C mode when the right-most decimal point in the display is on.
2. Use the same process to revert to °F mode.



USING THE WARMING DRAWER *(continued)*

CONTROLS AND INDICATORS

The warming drawer features a digital control with a 3-digit time/temperature display. There are 4 preset temperatures and 5 time intervals as detailed in the instructions below.

An interior halogen light comes on when the drawer is opened.

A red power indicator light is present on the control, and shines through a small lens on the exterior of the drawer face.



OPERATION

1. Open the drawer and place your dishes or food products inside. The silicone rubber mat inside the drawer prevents items from sliding around inside the drawer.
2. Press the POWER button. The display will briefly show a software revision, then go blank. The red power indicator light will illuminate.
3. Press the TEMP button to cycle through the 4 preset temperatures: 100, 125, 150, 200°F [38, 52, 65, 93°C]. The default temperature is 100°F [38°C]. The set temperature is always displayed except when adjusting the time. This action initiates the heating cycle. The convection fan will begin rotating and will be on at all times until the time has run out and the unit shuts down.
4. Press the TIME button to cycle through the 5 preset time intervals: 0.5, 1, 2, 3, 4 hours. During the selection, the display shows the time for 3 seconds, and then returns to display the set temperature.
5. During operation, the heating element will cycle to maintain the set temperature inside the drawer cavity. The unit will chime at the end of the time interval and then shut down automatically. The display and power indicator light will also shut off.
6. If at any time you wish to change the temperature or the time interval, shut off the unit (POWER button) and repeat steps 2-4 above.

To turn off the appliance, press the POWER button.

HEATING TIME

The heating time is influenced by:

- Amount of dishes or food in the drawer
- The arrangement of items in the drawer
- The temperature setting

In general, the more dishes or items in the drawer and the higher the set temperature, the longer it will take to reach the set temperature.

DISH WARMING

- Food safety standards recommend hot foods should be kept at an internal temperature of 140°F [60°C] or warmer. Warming your dishes at a setting of 150°F [65°C] will help accomplish this.
- Warming time will depend on the amount and type of plates you place in the drawer. With experience you will learn the optimal temperature setting for your needs.

USING THE WARMING DRAWER *(continued)*



EN

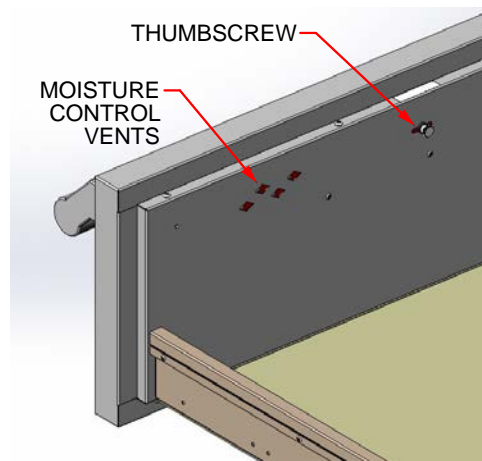
DEFROSTING

It is possible to defrost foods in the warming drawer, but a low temperature setting of 100 or 125°F [38 or 52°C] is recommended. Be sure to place your food item on a plate or other receptacle to catch any melting water.

PROOFING

Proofing of bread dough should be done at a low temperature of 100°F [38°C]. Depending on the dough type, you may also need added moisture during the prove. Place 1 cup [250 ml] of very hot water in a small glass measuring cup or small bowl inside the warming drawer next to your dough. This will add moisture and will keep the dough soft during rising. Place the bowl of dough in the warming drawer and close.

The warming drawer features a moisture control system of small vents on the inside face of the drawer. Loosen the thumbscrew and slide the shutter left or right to adjust the amount of moisture inside the drawer. Re-tighten the thumbscrew.



FOOD WARMING

Food recommended for warming: meat, chicken, fish, sauces, vegetables, side dishes and soups, breads, pizza.

- To avoid spills, do not overfill the dishes.
 - Arrange the dishes in the drawer and close it carefully so that any liquids do not spill.
 - It is advisable not to warm food for more than an hour to prevent it from losing nutritional value.
 - If food will be held for more than one hour, it must be held at 140°F [60°C] or above.
- Cover moist food and liquids with a lid or heat-resistant cling film. This will prevent the moisture from escaping, condensation from forming, and moisture settling on the outside of the dishes.

Do not cover roast or fried dishes which need to stay crisp. Keep these dishes hot at high temperatures.

SLOW COOKING

NOTICE THIS COOKING METHOD IS LIMITED BY THE MAXIMUM TIME INTERVAL OF THE CONTROL (4 HOURS). IF YOUR RECIPE REQUIRES A LONGER TIME, YOU WILL HAVE TO RESTART THE UNIT AGAIN AFTER THE INITIAL 4 HOURS.

Slow cooking is ideal for cooking tender meat which needs to be medium rare or rare. This cooking method means the meat will always be pink inside. This does not, however, mean that the meat is raw or undercooked.

- This cooking method not only keeps the juices inside, but it also makes it easy to keep the meat hot.
- Suitable dishes to use: glass, porcelain or ceramic with a lid.

PROCEDURE

1. Preheat the warming drawer with the chosen dish at 200°F [93°C] for 15 minutes.
2. Heat some butter or oil in a pan. Brown the meat well for the time indicated in the table, then place it immediately in the preheated pan and cover with the lid.
3. Restart the control between 150/200°F [65/93°C] for the time required to finish the cooking. (See notice above regarding cooking times longer than 4 hours).



USING THE WARMING DRAWER *(continued)*

TIPS FOR SLOW COOKING

- Only use fresh meat in perfect condition.
- Trim off any excess fat.
- The pieces of meat do not necessarily have to be turned.
- Once cooked, the meat can be carved immediately; it does not have to rest.
- Meat that is slow cooked is not as hot as meat cooked in the traditional way, so it is advisable to put the plates in the warming drawer on the left-hand side for the last 20-30 minutes as well.
- Serve the meat with piping hot sauces.
- If you want to keep the meat hot after cooking, restart the control at a lower temperature (100-150°F [38-65°C]). Smaller pieces of meat can be kept hot for 45 minutes and larger pieces for two hours.

APPLICATIONS

Slow cooking is suitable for all tender cuts of beef, pork, veal, lamb, game and poultry. The initial browning times and the subsequent cooking times depend on the size of the slices of meat.

The browning time is for meat placed in a preheated pan with butter or oil.

DISH EXAMPLE	INITIAL BROWNING	LEVEL
Small slices of meat		
Strips	about 1 - 2 minutes	150
Small steaks or medallions	about 1 - 2 minutes per side	150
Medium size slices of meat		
Tenderloin	about 4 - 5 minutes per side	200
Lean roast	about 10 - 15 minutes per side	200
Large slices of meat		
Tenderloin (from 2 lbs. [900g])	about 6 - 8 minutes per side	200
Roast beef	about 8 - 10 minutes per side	200
Vegetables	about 30 minutes per side	150

COOKING TIMES: As a guideline, allow 4 to 5 hours for a 200°F [93°C] setting, and 8 to 10 hours for a 150°F [65°C] setting. Smaller quantities of food may require less time, while larger quantities may require more time.

CLEANING AND MAINTENANCE



EN

DRAWER SLIDES

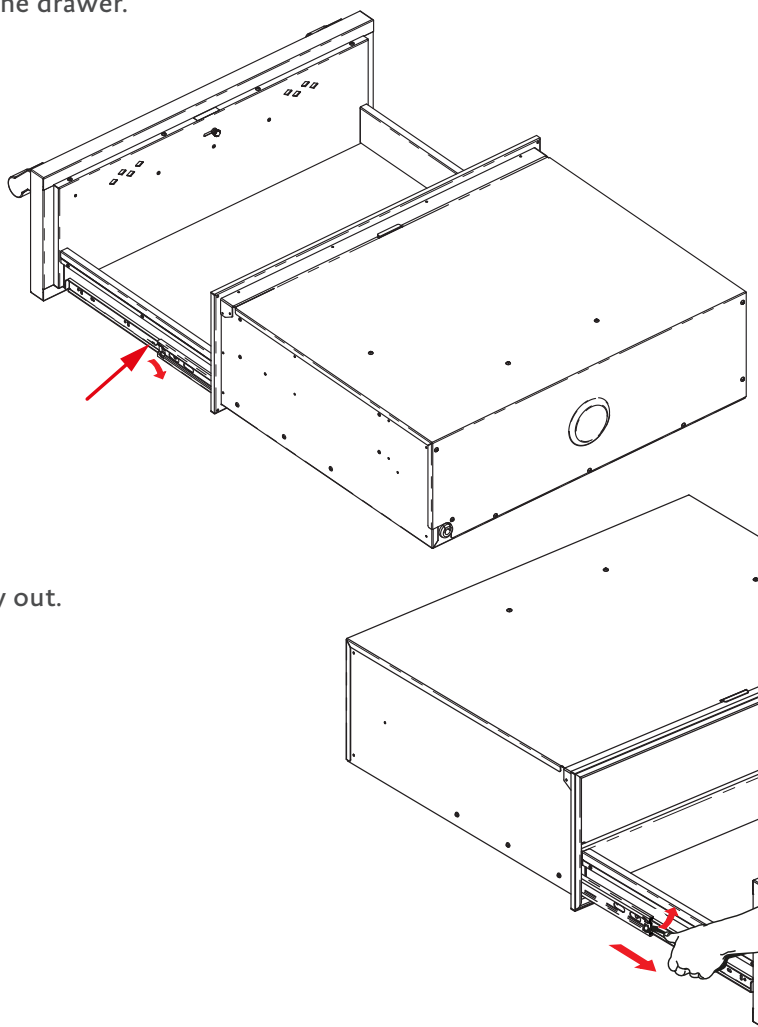
The drawer slides allow you to fully extend the drawer for cleaning. The drawer can also be completely removed for cleaning or to replace the interior light.

NOTE: Load capacity for the drawer is 80 lbs [36 kg].

Remove all items from inside the warming drawer, and allow the warming drawer to cool completely before attempting to remove the drawer.

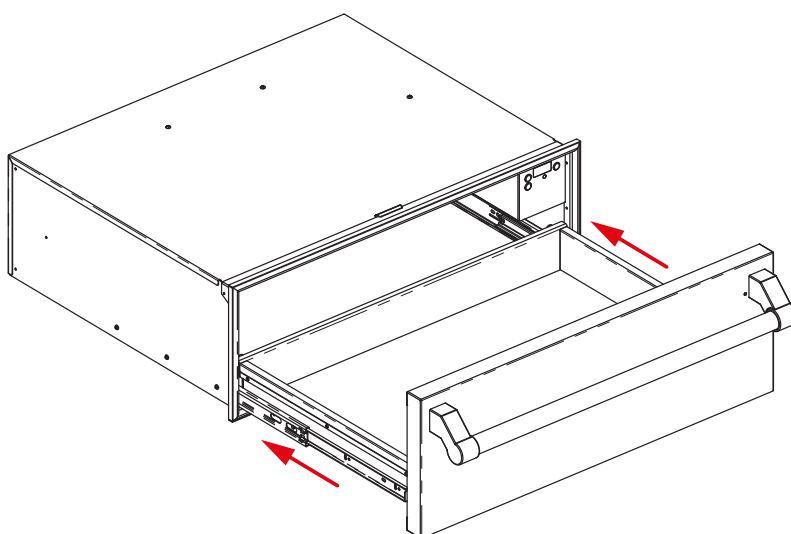
TO REMOVE:

1. Open drawer to its fully open position.
2. Locate the black tabs on both sides of the drawer.
3. Press the tab down on the right side of the drawer and lift tab up on the left side of the drawer at the same time. Then pull drawer out another inch to disengage the latches.
4. Hold the drawer by the sides (not by the front). Pull it slowly all the way out.



TO REPLACE:

1. Align the drawer rails with the receiving slides.
2. Push drawer in all the way.
3. Gently open and close the drawer to ensure it is seated properly on the slides.





CLEANING AND MAINTENANCE *(continued)*

CLEANING

The only recommended maintenance for the Warming Drawer is cleaning.

▲WARNING

Before you begin cleaning, turn the appliance OFF and disconnect the appliance from the outlet or shut off the breaker. Allow the appliance to cool before cleaning it.

NOTICE

Do not use harsh detergents or abrasive products and/or scrubbing pads and sponges and sharp objects as they can stain and damage the appearance of the appliance.

Never use a vacuum cleaner on the internal parts of the appliance.

FRONT SURFACE AND CONTROL PANEL

The use of a moist cloth is often sufficient when cleaning the appliance. If needed, add a few drops of liquid detergent in the water. Dry the appliance with a dry cloth. The stainless steel front of the appliance can be cleaned with products specifically designed for stainless steel. Such products prevent the formation of dirt on the surface of the drawer. Apply a minimal amount of the product on a soft cloth and apply it to the surface of the appliance.

Clean the control panel ONLY with a cloth moistened with plain water. The special plastic surface may discolor or become opaque if you use any harsh cleaners.

If your Hestan appliance has a colored drawer panel, use warm soapy water ONLY. Rinse and dry thoroughly.

DRAWER INTERIOR

Use a moist cloth to clean the drawer interior. In the event the appliance requires further cleaning add drops of detergent to the water. Dry the surface with a dry cloth. Make sure to avoid excessive water entering into the moisture control vents on the inside face of the drawer, or the heating louvers and fan openings at the rear wall of the drawer cavity. Only use the appliance after the drawer is completely dry.

The silicone rubber mat can be cleaned with mild detergent and water.

REPLACING A WARMING DRAWER LIGHT BULB

The Warming Drawer is equipped with a halogen light located on the right side of the unit.

▲WARNING

ELECTRICAL SHOCK HAZARD - Make sure the power has been shut off to the Warming Drawer. The light socket is energized when the drawer is open. Failure to shut off the power when replacing a light bulb could result in electric shock or burns.

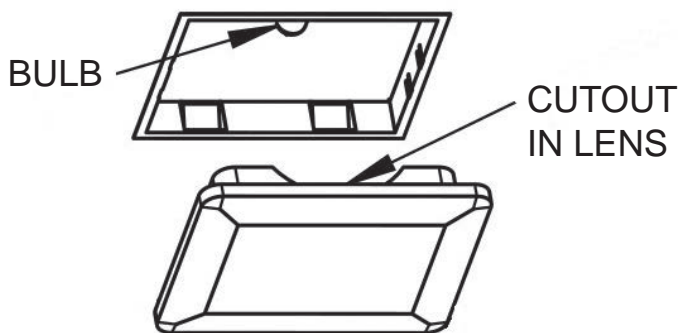
Make sure the glass lens is cool to the touch. Use care when handling the lens, it is fragile and can break if dropped.

Use only 20 watt, 12 volt, halogen "Bi-Pin" bulbs suitable for appliance use. This type of bulb may be available at hardware stores & home centers, or specialty lighting stores. Call Hestan Customer Care for more information.



TO REPLACE A LIGHT BULB

1. **MAKE SURE POWER IS OFF!** Unplug the unit or turn off power at the breaker. **MAKE SURE THE LAMP IS COOL.** The hot lens and/or bulb can be VERY hot.
2. You may wish to remove the drawer (see page 12) before changing the bulb.
3. Use a small flat-blade screwdriver to carefully pry off the glass lens at the top edge of the lens, and set aside. Reach into the lamp housing and pull out the old light bulb.
4. Before installation, it is very important to clean the new bulb carefully with a clean, soft cloth or tissue paper. Grease, fingerprints, or oils in your skin can leave a residue on the glass surface of the bulb which will create a hot-spot. The bulb will eventually crack at this hot-spot.
5. While still using a cloth or tissue paper, insert the new bulb in the lamp housing. Push the bulb fully into the socket.
6. Re-install the glass lens taking note of the cutout in the glass which aligns with the bulb socket.
7. Restore the power and check if the new bulb is working.
8. If the drawer was removed, re-install it.





TROUBLESHOOTING

Repairs must only be performed by specialized and qualified personnel. Any repair work not performed by professional personnel may cause damage to the appliance for which Hestan will not be liable.

The following problems can be checked by the consumer without the assistance of the Service Department.

THE DRAWER IS NOT HOT ENOUGH

Make sure that:

- The appliance is turned on;
- The correct temperature has been set;
- The opening of the ventilation fan is not blocked by plates or other large obstructions;
- The drawer has had sufficient time to heat up.

THE DRAWER DOES NOT GET WARM

Is it turned on?

Is there a power outage or has the circuit-breaker tripped?

Can you hear the fan running?

- If the fan is running then the heating system should be working. The fan is always running while the heating element cycles on and off to maintain the proper temperature inside the drawer. Obviously on low temperatures, it will cycle less frequently.
- In rare circumstances if there is still no heat, the element may have exceeded a safe temperature and was cut-off automatically. The element will reset itself after a short time. If this problem persists, contact Hestan Customer Care.
- If the interior light comes on, and the fan still does not run, the fan may be obstructed in some way. Contact Hestan Customer Care. Do not attempt to dismantle the appliance in any way to remove obstructions.

INSTALLATION



BEFORE YOU BEGIN

IMPORTANT: Save these instructions for the local electrical inspector use.

INSTALLER: Please leave this manual with owner for future reference.

OWNER: Please keep this manual for future reference.

▲WARNING

If the information in this manual is not followed exactly, electric shock, a fire or explosion may result causing property damage, personal injury or death.

Please read these instructions COMPLETELY AND CAREFULLY. They will save you time and effort and help to ensure optimum drawer performance.

Be sure to observe all CAUTIONS and WARNINGS. These installation instructions are intended for use by a qualified installer.

- Assure that electrical installation is adequate and in conformance with National Electrical Code, ANSI/ NFPA 70 (latest edition), or Canadian Electrical Code, part 1 C22.1 (latest edition) and all local codes and ordinances. These shall be carefully followed at all times.

TOOLS YOU WILL NEED

The following tools are needed to install your new warming drawer:

- Tape measure and straightedge or ruler
- Pencil
- Phillips screwdriver
- Level
- Hand or saber saw
- 1" [2,5 cm] diameter hole saw
- Drill and drill bits
- Safety gloves and goggles
- Volt meter (0-250VAC)

PACKAGING

Remove all tape and packaging before using the warming drawer.

Destroy the packaging after unpacking the drawer following the rules in force in your locale. Never allow children to play with packaging material.



INSTALLATION *(continued)*

POWER REQUIREMENTS

This appliance is designed to use a grounded receptacle, 120 VAC Single Phase, 60 Hz, with a current rating as shown in the model number listing on page 5. When installed outdoors, it must be plugged into a Ground Fault Circuit Interrupter (GFCI) protected circuit.

Have the installer show you where the electric circuit breaker is located so you know how to shut off the power to this appliance.

The appliance is equipped with a flexible electrical supply cord with a three-prong grounding plug. It is imperative that this plug be connected to a properly grounded three-prong receptacle. If the receptacle is not the proper grounding type, contact an electrician. Do not remove the grounding prong from this plug.

Power	Requirement
Voltage	120 Volts, 60 Hz
Current	7.4 Amperes
Consumption	888 Watts

CHOOSING DRAWER LOCATION

Carefully select the location where the warming drawer will be placed.

- It should be located for convenient use in the kitchen. When used outdoors, it is recommended to apply sealant to the outside of the case where it meets your outdoor cabinet/island structure to prevent water intrusion. There is also a gasket on the drawer face to prevent water intrusion at the front of the drawer.
- Make sure that electrical power can be provided to the location selected. If possible, the receptacle should be accessible after the drawer is installed, so that the drawer can be unplugged and plugged in after installation. The cord is about 47" [120 cm] long.

PREPARATION

1. See drawings on the following pages for clearance and cutout dimensions
 2. The warming drawer support surface must be a minimum 3/4" [19 mm] thick plywood platform. It must support 100 lbs. [45 kg]. If the unit is installed outdoors, the platform should be made of pressure-treated or marine-grade plywood, or other materials resistant to moisture and insect damage.
 3. The platform must be solid, level and flush with the bottom of the cabinet cutout. Additional interior structures (side walls, etc.) may be needed to support this platform.
 4. The cabinet must be secure against tipping when the drawer is opened. If necessary, install additional bracing at the rear of the cabinet to prevent the cabinet from tipping away from the wall when the drawer is opened.
 5. For best performance results make sure the platform is level before placing the warming drawer. Use shims under the unit as needed to level it. There is no way to level the warming drawer after it has been installed.
- If the installation is not level, the door may slide open or not seal tightly, allowing heat to escape, or water to enter.

▲ CAUTION Use extreme caution when moving or installing the drawer. It is very heavy.

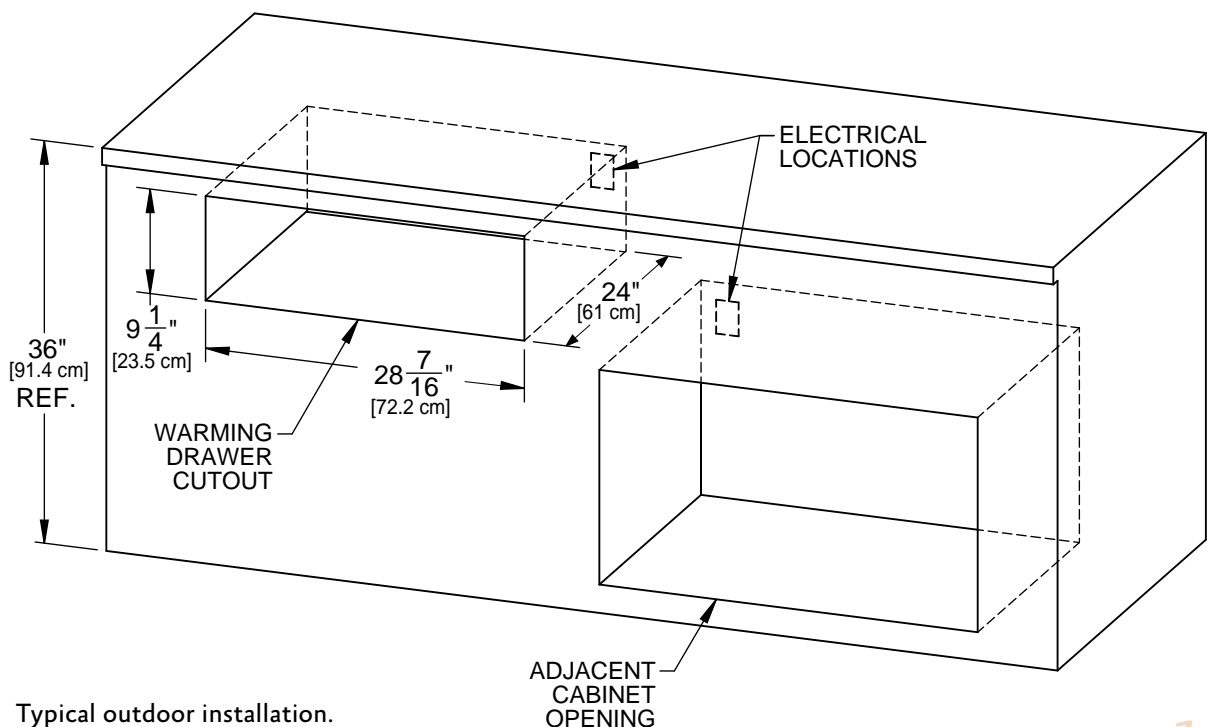
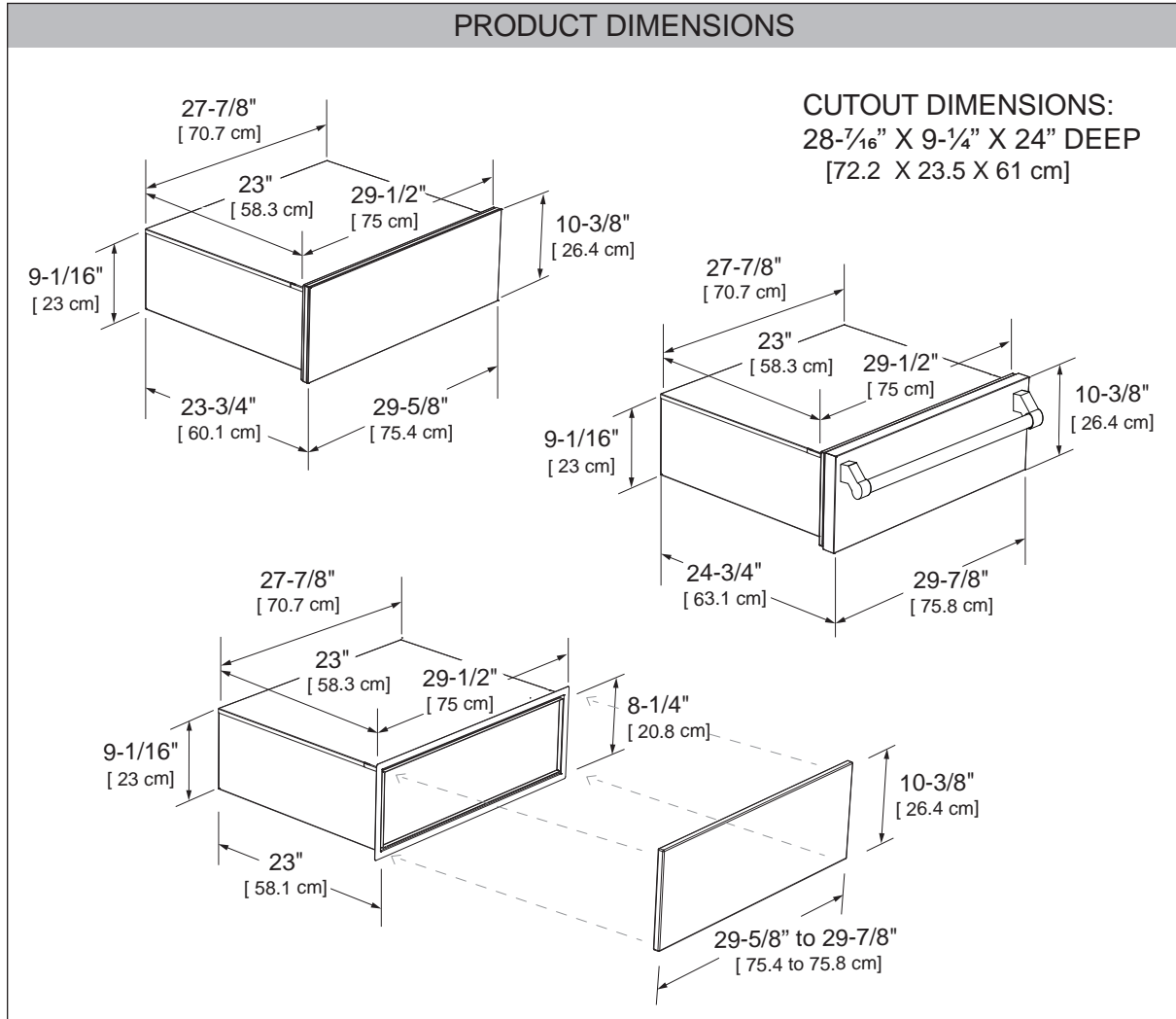
NOTICE

- DO NOT LIFT THE WARMING DRAWER BY THE DRAWER HANDLE.
- Be very careful when moving or installing the warming drawer to avoid damage to the frame or damage to the cabinets.
- If installing the warming drawer below another product, refer to that product's literature for any installation or clearance requirements.

INSTALLATION *(continued)*



EN

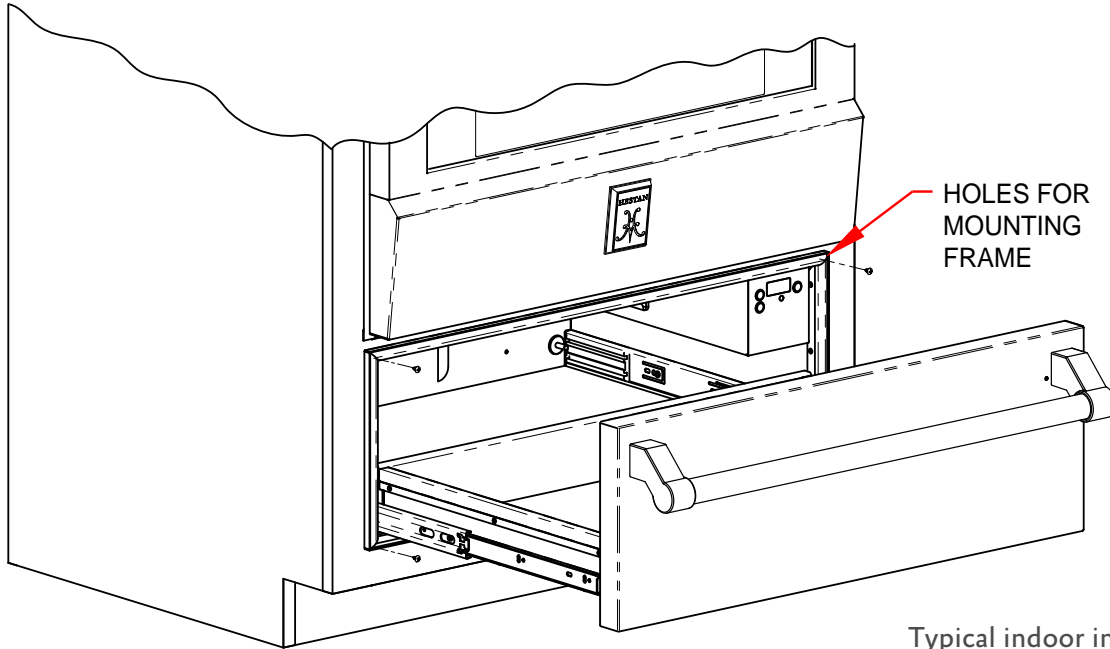


Typical outdoor installation.



INSTALLATION (continued)

EN



Typical indoor installation
beneath a wall oven.

PLACING THE DRAWER

NOTE: The unit is heavy and requires at least two people or proper equipment to move. Verify there is room to run the power cord before placing the drawer without pinching it.

1. As shown on the previous page, the electrical outlet may be located directly behind the unit, or in a nearby adjacent cabinet opening. If the plug will not be accessible after placing the unit, turn power OFF at the service panel. Lock service panel to prevent power from being turned ON accidentally.
2. Run the cord through to the outlet.
3. Position the drawer so that it is directly centered and slide the warming drawer assembly into the cutout until it is flush with cabinet face.
4. Securely fasten the drawer mounting frame to the cabinet in all four corners using the wood screws provided.

CAUTION

Failure to secure the warming drawer could result in the drawer moving or tipping during use and causing damage to the drawer or cabinets or personal injury.

5. Turn the power back on or plug in the unit.
6. Test operation of the unit (see page 9). Observe that the interior light comes on. Operate the unit for approximately 5 minutes, then check for warmth.
7. After verifying that the drawer is warming up, turn the unit OFF.
 - Make sure that the customer knows how to disconnect the power to the warming drawer at the circuit breaker or fuse box in case of an emergency.

INSTALLATION - CUSTOM DRAWER FRONT (-OV MODELS)



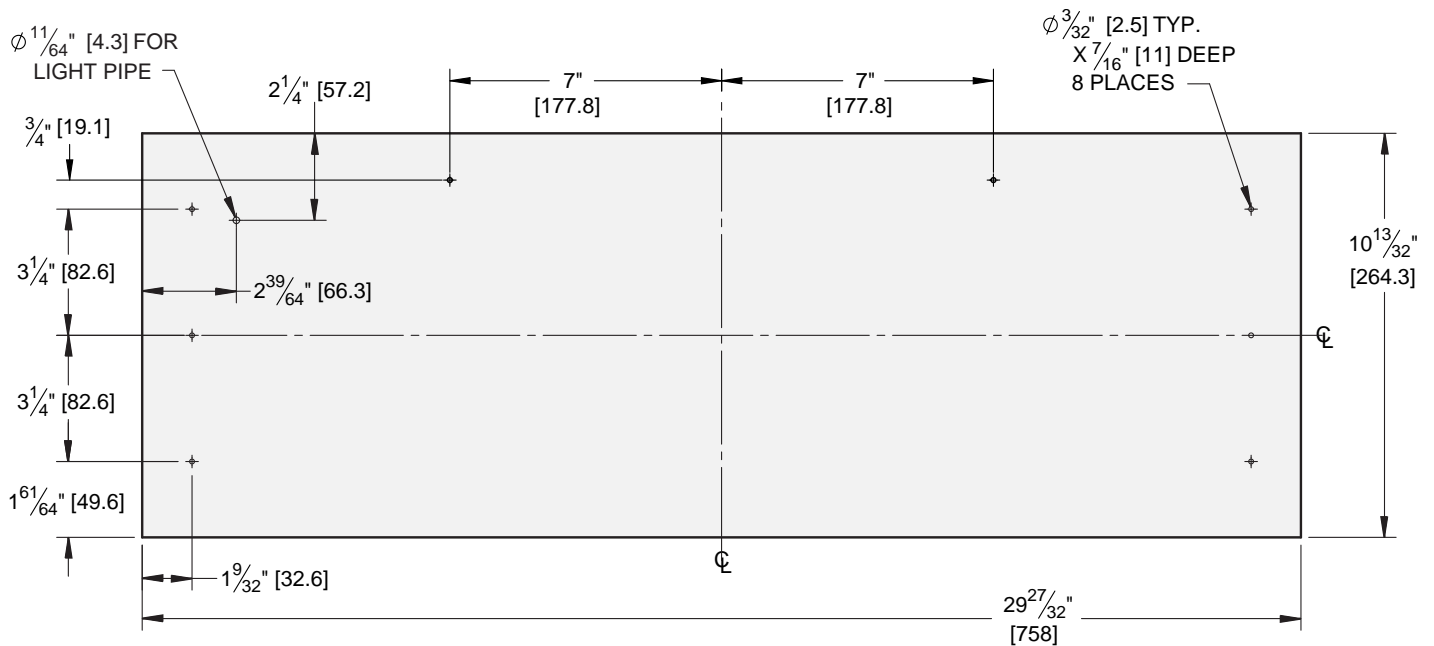
EN

CUSTOM PANEL REQUIREMENTS:

- Have a typical thickness of $3/4"$ [19 mm].
- Have all edges finished.
- If using wood, the back must be sealed to prevent moisture damage.
- Be capable of withstanding temperatures above 158°F [70°C].

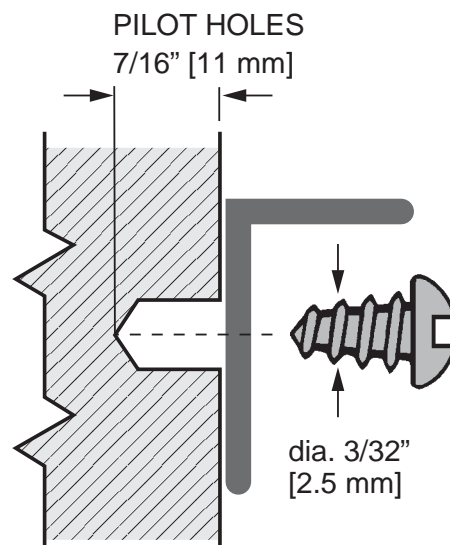
PREPARING CUSTOM DRAWER FRONT

1. Mark pilot holes on the back side of the panel according to the dimensions indicated in the drawing below.
2. Drill pilot holes with a $3/32"$ [2.5 mm] drill bit. Be careful not to drill all the way through the panel. Pilot holes should only be $7/16"$ [11 mm] deep.



BACK VIEW

NOTE: DIMENSIONS IN [] ARE IN mm.

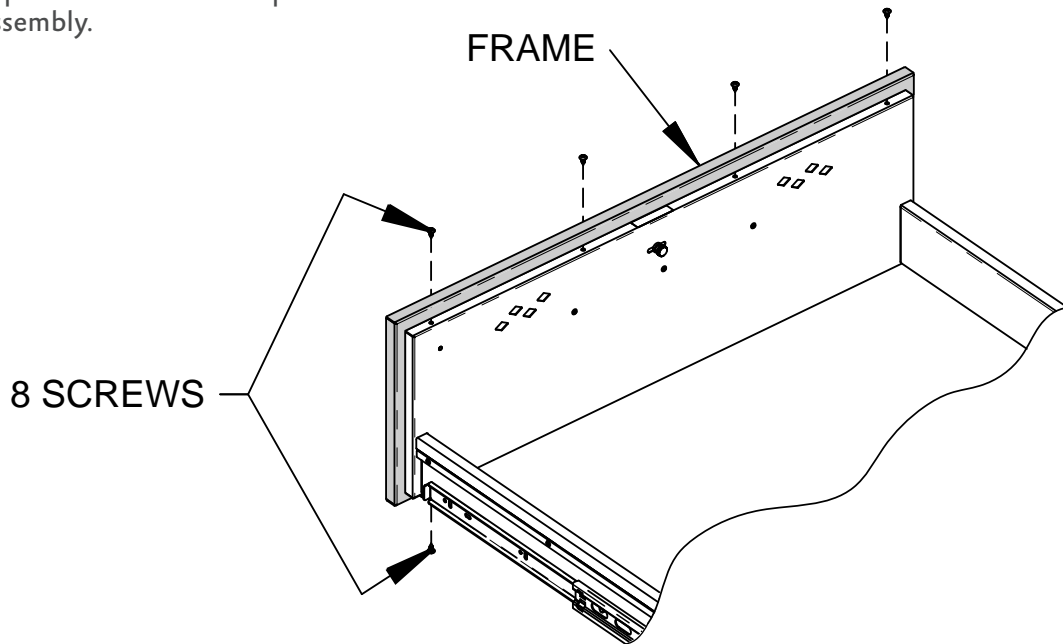




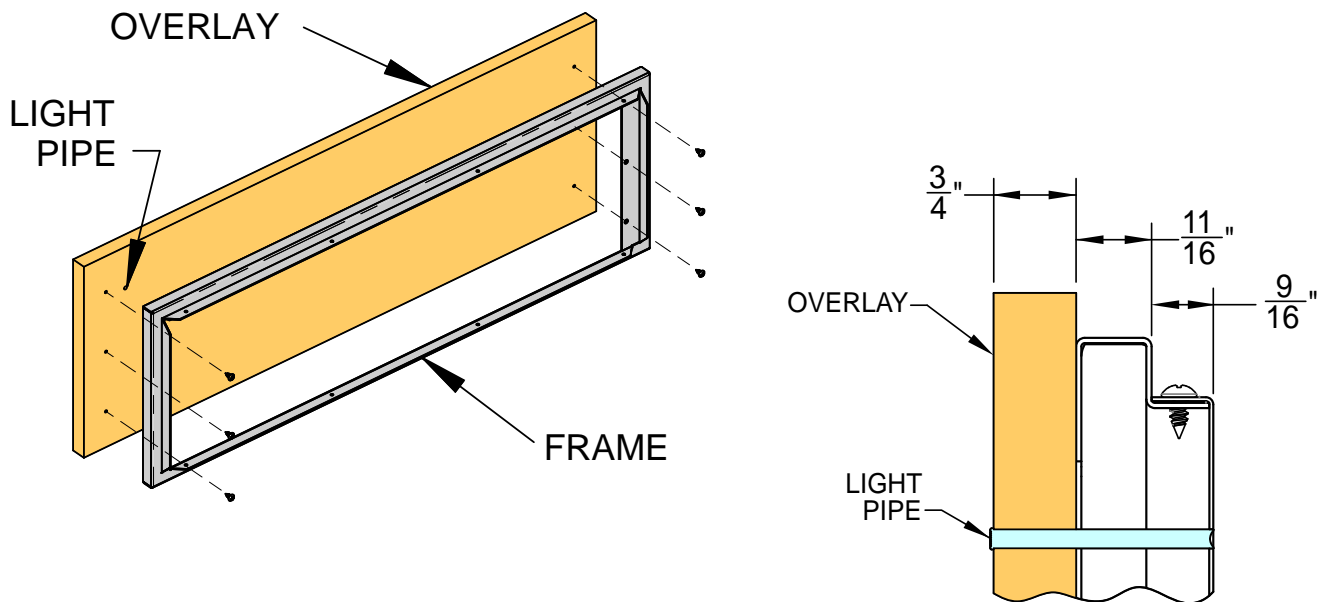
INSTALLATION (continued)

ATTACHING CUSTOM DRAWER FRONT

1. It may be easier to remove the drawer from the unit (see page 12). Remove 8 screws from the top and bottom of the special frame as shown below. This will detach the frame from the assembly.

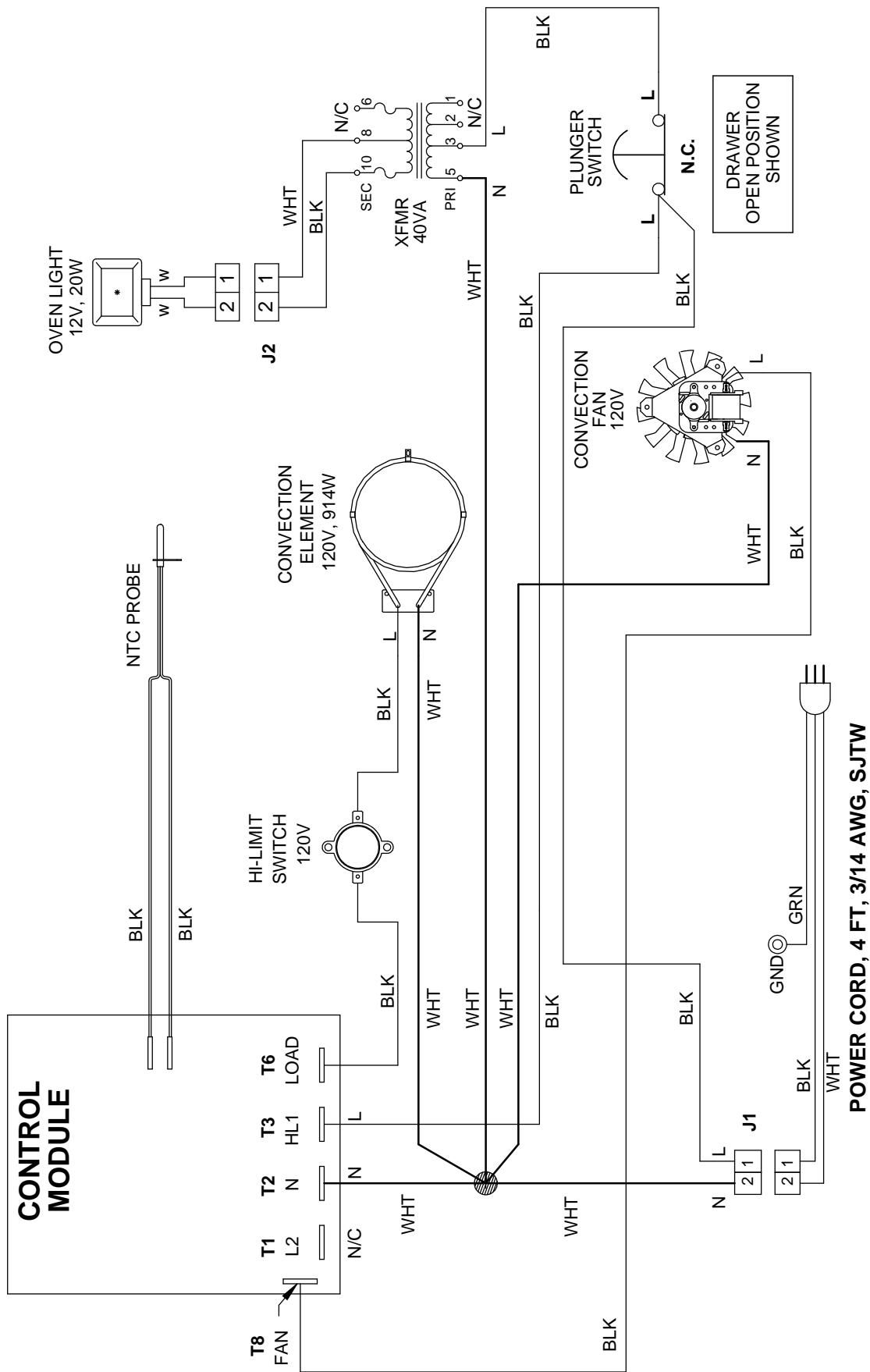


2. Mount the special frame onto your custom overlay panel. A typical overlay panel is $\frac{3}{4}$ " [19 mm] thick. A light pipe is supplied in the kit which helps the red indicator light on the control shine through the drawer face. The light pipe may be press-fit into the new hole you drilled into the overlay panel. If your overlay panel is less than $\frac{3}{4}$ " [19 mm] thick, you may trim the length of the light pipe as needed, but use caution as the optical material is brittle.



3. Install the completed overlay and frame to the drawer assembly and re-install the 8 screws you removed in step 1. Re-install the drawer if you removed it.

WIRING SCHEMATIC





PARTS / SERVICE

SERVICE DATA RECORD

The location of the serial tag on the product can be seen when the drawer is opened. It is located on bottom of the drawer. See "RATING LABEL" on page 5.

Now is a good time to write this information in the space below provided. Keep your invoice for warranty validation.

Model Number _____

Serial Number _____

Date of Installation or Occupancy _____

EN



PARTS LIST

Please visit the Hestan website to access the parts list for your Hestan Indoor product: www.hestanhome.com.



SERVICE

All warranty and non-warranty repairs should be performed by qualified service personnel. To locate an authorized service agent in your area, contact your Hestan dealer, local representative, or Hestan Customer Care. Before you call, please have the model number and serial number information ready.

Hestan Commercial Corporation
3375 E. La Palma Avenue
Anaheim, CA 92806
(888) 905-7463



LIMITED WARRANTY

WHAT THIS LIMITED WARRANTY COVERS:

Hestan Commercial Corporation ("HCC") warrants to the original consumer purchaser of a Hestan Indoor Cooking product (the "Product") from an HCC authorized dealer that the Product is free from defective materials or workmanship for a period of three (3) years from the date of original retail purchase or closing date for new construction, whichever period is longer ("Limited Warranty Period"). HCC agrees to repair or replace, at HCC's sole option, any part or component of the Product that fails due to defective materials or workmanship during the Limited Warranty Period. This Limited Warranty is not transferable and does not extend to anyone beyond the original consumer purchaser ("Purchaser"). This Limited Warranty is valid only on Products that are (i) purchased and received from an HCC authorized dealer, (ii) delivered after purchase to a consumer, and (iii) continuously thereafter remain located, in the fifty United States, the District of Columbia and Canada. Events that will void this warranty include purchasing or taking delivery in, or moving Products to any location outside of, the fifty United States, the District of Columbia and Canada. This Limited Warranty applies only to Products in non-commercial use and does not extend to Products used in commercial applications.

LIMITED WARRANTY *(continued)*



EN

HOW TO OBTAIN WARRANTY SERVICE:

If the Product fails during the Limited Warranty Period for reasons covered by this Limited Warranty, the Purchaser must immediately contact the dealer from whom the Product was purchased or HCC at 888.905.7463.

Purchaser is responsible for making the Product reasonably accessible for service or for paying the cost to make the Product reasonably accessible for service. Service is to be provided during normal business hours of the authorized Hestan Commercial Service Provider. To the extent Purchaser requests service outside of the normal business hours of the authorized Hestan Commercial Service Provider, Purchaser will pay the difference between regular rates and overtime or premium rates. Purchaser is required to pay all travel costs for travel beyond 50 miles (one way) from the nearest authorized Hestan Commercial Service Provider.

EXTENSIONS TO THREE YEAR LIMITED WARRANTY PERIOD:

In addition to the Three-Year Limited Warranty, the following components have extended warranty coverage as specifically set forth below:

1. The Product's gas burners (excludes appearance), electric heating elements, blower motors (ventilation hoods), electronic control boards, magnetron tubes and induction generators (where applicable) are warranted to be free from defects in material and workmanship under normal non-commercial use and service for a period of five (5) years of the original Purchaser. This excludes surface corrosion, scratches, and discoloration which may occur during normal use and is limited to replacement of the defective part(s), with the Purchaser paying all other costs, including labor, shipping and handling, as applicable.

WHAT THIS LIMITED WARRANTY DOES NOT COVER:

This Limited Warranty does not cover and HCC will not be responsible for and will not pay for: damage to or defects in any Product not purchased from an HCC authorized dealer; color variations in color finishes or other cosmetic damage; failure or damage from abuse, misuse, accident, fire, natural disaster, commercial use of the Product, or loss of electrical power or gas supply to the Product; damage from alteration, improper installation, or improper operation of the Product; damage from improper or unauthorized repair or replacement of any part or component of the Product; damage from service by someone other than an authorized agent or representative of the Hestan Commercial Service Network; normal wear and tear; damage from exposure of the Product to a corrosive atmosphere containing chlorine, fluorine, or any other damaging chemicals; damage resulting from the failure to provide normal care and maintenance to the Product; damage HCC was not notified of within the Limited Warranty Period; and incidental and consequential damages caused by any defective material or workmanship.

ARBITRATION:

This Limited Warranty is governed by the Federal Arbitration Act. Any dispute between Purchaser and HCC regarding or related to the Product or to this Limited Warranty shall be resolved by binding arbitration only on an individual basis with Purchaser. Arbitration will be conducted by the American Arbitration Association ("AAA") in accordance with its Consumer Arbitration Rules or by JAMS. The arbitration hearing shall be before one arbitrator appointed by the AAA or JAMS. The arbitrator shall not conduct class arbitration and Purchaser shall not bring any claims against HCC in a representative capacity on behalf of others.

LIMITATION OF LIABILITY:

This Limited Warranty is the final, complete and exclusive agreement between HCC and Purchaser regarding the Product.

THERE ARE NO EXPRESS WARRANTIES OTHER THAN THOSE LISTED AND DESCRIBED ABOVE. NO WARRANTIES WHETHER EXPRESS OR IMPLIED, INCLUDING, BUT NOT LIMITED TO, ANY IMPLIED WARRANTIES OF MERCHANTABILITY OR FITNESS FOR A



LIMITED WARRANTY *(continued)*

PARTICULAR PURPOSE SHALL APPLY AFTER THE LIMITED WARRANTY PERIOD STATED ABOVE. NO OTHER EXPRESS WARRANTY OR GUARANTY GIVEN BY ANY PERSON, FIRM OR CORPORATION WITH RESPECT TO THIS PRODUCT SHALL BE BINDING ON HCC. HCC ASSUMES NO RESPONSIBILITY THAT THE PRODUCT WILL BE FIT FOR ANY PARTICULAR PURPOSE, EXCEPT AS OTHERWISE PROVIDED BY APPLICABLE LAW. HCC SHALL NOT BE LIABLE FOR LOSS OF REVENUE OR PROFITS, FAILURE TO REALIZE SAVINGS OR OTHER BENEFITS, OR ANY OTHER SPECIAL, INCIDENTAL OR CONSEQUENTIAL DAMAGES CAUSED BY THE USE, MISUSE OR INABILITY TO USE THE PRODUCT, REGARDLESS OF THE LEGAL THEORY ON WHICH THE CLAIM IS BASED, AND EVEN IF HCC HAS BEEN ADVISED OF THE POSSIBILITY OF SUCH DAMAGES. NO RECOVERY OF ANY KIND AGAINST HCC SHALL BE GREATER IN AMOUNT THAN THE PURCHASE PRICE OF THE PRODUCT. WITHOUT LIMITING THE FOREGOING, YOU ASSUME ALL RISK AND LIABILITY FOR LOSS, DAMAGE OR INJURY TO YOU AND YOUR PROPERTY AND TO OTHERS AND THEIR PROPERTY ARISING OUT OF THE USE, MISUSE OR INABILITY TO USE THE PRODUCT NOT CAUSED DIRECTLY BY THE NEGLIGENCE OF HCC. THIS LIMITED WARRANTY STATES YOUR EXCLUSIVE REMEDY.

No oral or written representation or commitment given by anyone, including but not limited to, an employee representative or agent of HCC will create a warranty or in any way increase the scope of this express Limited Three Year Warranty. If there is any inconsistency between this Limited Warranty and any other agreement or statement included with or relating to the Product, this Limited Warranty shall govern. If any provision of this Limited Warranty is found invalid or unenforceable, it shall be deemed modified to the minimum extent necessary to make it enforceable and the remainder of the Limited Warranty shall remain valid and enforceable according to its terms.

INTERACTION OF LAWS WITH THIS LIMITED WARRANTY:

Some states, provinces or territories may not allow limitations on how long an implied warranty lasts or the exclusion or limitation of incidental or consequential damages, so the above limitations or exclusions may not apply to you. Some states, provinces or territories may provide for additional warranty rights and remedies, and the provisions contained in this Limited Warranty are not intended to limit, modify, take away from, disclaim or exclude any mandatory warranty requirements provided by states, provinces or territories, including certain implied warranties. This warranty gives you specific legal rights, and you may also have other rights which vary depending on location.

Any questions about this Limited Warranty may be directed to:
Hestan Commercial Corporation at (888) 905-7463

RETAIN THIS MANUAL FOR FUTURE REFERENCE
CONSERVEZ CE MANUEL POUR UNE RÉFÉRENCE FUTURE



Hestan Commercial Corporation

3375 E. La Palma Ave.

Anaheim, CA 92806

(888) 905-7463