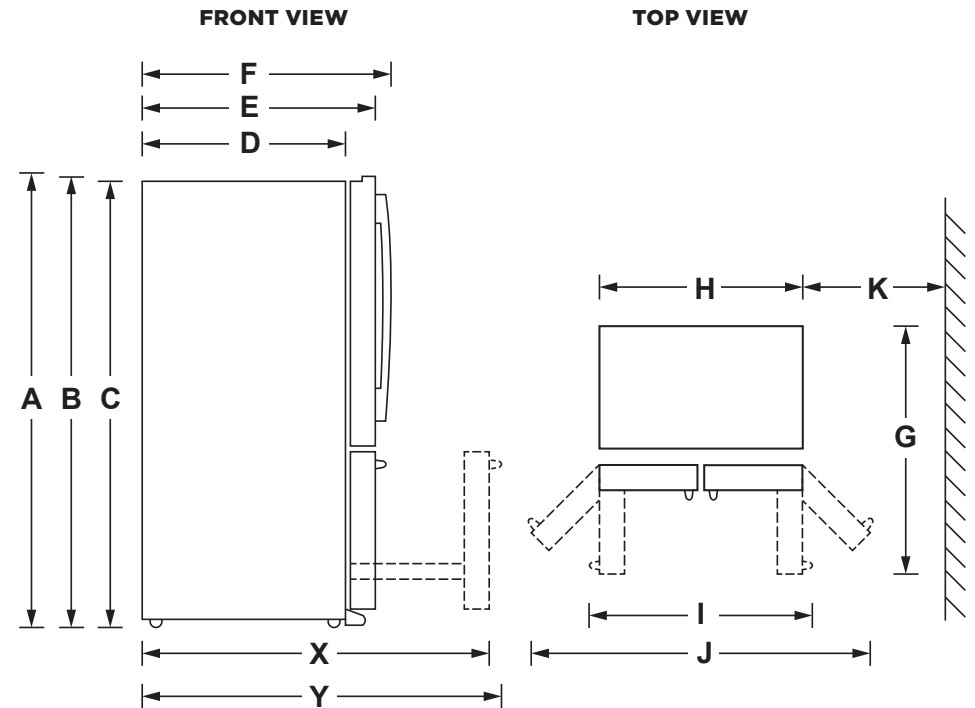


GWE23GEN/GMN/GYN

GE® ENERGY STAR® 23.1 Cu. Ft. Counter-Depth French-Door Refrigerator

DIMENSIONS AND INSTALLATION INFORMATION (IN INCHES)

Height to top of door (in.) A	70-1/2
Height to top of hinge (in.) B	69-7/8
Height to top of case (in.) C	69
Case depth without door (in.) D	24-3/8
Case depth less door handle (in.) E	29-3/4
Case depth with door handle (in.) F	31-1/4
Depth with fresh food door open 90° (in.) G	43-3/8
Width (in.) H	35-3/4
Width with door open 90° with door handle (in.) I	44-5/8
Width with doors open fully (in.) J	68
Min distance between side of case and wall, in either direction, to allow doors to open fully (in.) K	16-1/8
Depth with FZ door completely open (w/o handle) (in.) X	44-3/4
Depth with FZ door completely open (w/ handle) (in.) Y	46-1/4



For answers to your Monogram, GE Café™ Series, GE Profile™ Series or GE Appliances product questions, visit our website at geappliances.com or call GE Answer Center® Service, 800.626.2000.



GWE23GEN/GMN/GYN

GE® ENERGY STAR® 23.1 Cu. Ft. Counter-Depth French-Door Refrigerator

FEATURES AND BENEFITS

Counter-depth design – Offers a built-in look by fitting nearly flush with surrounding cabinetry

Fingerprint resistant stainless – Easily wipe away smudges and fingerprints for a look that's always sparkling clean (for GWE23GYNFS model only)

TwinChill™ evaporators – Separate climates in the fresh food and freezer sections help keep foods fresh

Showcase LED lighting – Positioned throughout the interior and under fresh food doors to spotlight foods inside the refrigerator and in the freezer

Two humidity-controlled drawers and full-width drawer with LED light – Create the right environment for keeping fruits and vegetables fresh, while easily storing wider items like a party platter or a sheet cake

Factory-installed icemaker with water filtration system – Refrigerator comes ready to automatically create filtered ice

Advanced water filtration – Reduces trace pharmaceuticals from water and ice* (* Removes 98% of ibuprofen, atenolol, fluoxetine, progesterone and trimethoprim. These pharmaceuticals are not necessarily in all users' water)

Internal controls with actual-temperature display - Eliminate the guesswork of temperature setting with actual degrees displayed digitally

Door alarm - Enjoy peace of mind knowing the refrigerator door is never left open

Two-level freezer storage baskets – Baskets allow easy access to frozen foods

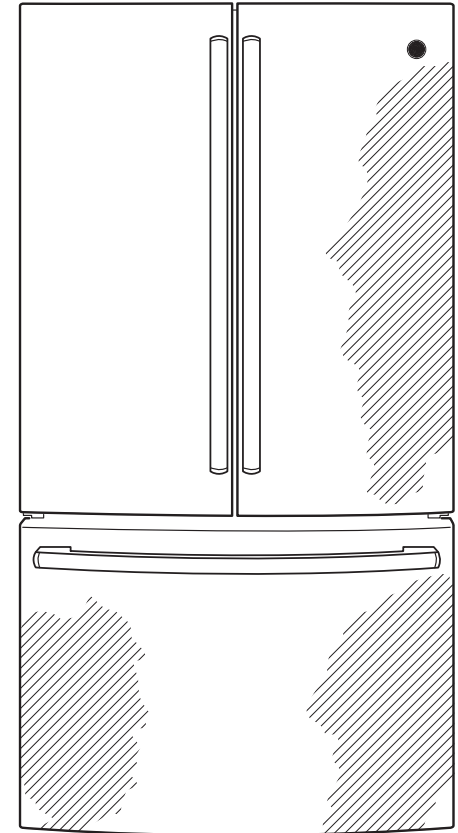
Gallon door storage – Deep bins handle large containers in the door and free up valuable shelf space

Spill-proof shelves – A variety of shelf configurations provide additional options for food storage

Model GWE23GENDS – Black Slate

Model GWE23GMNES – Slate

Model GWE23GYNFS – Fingerprint Resistant Stainless



As an ENERGY STAR® partner, GE has determined that this product meets the ENERGY STAR guidelines for energy efficiency.