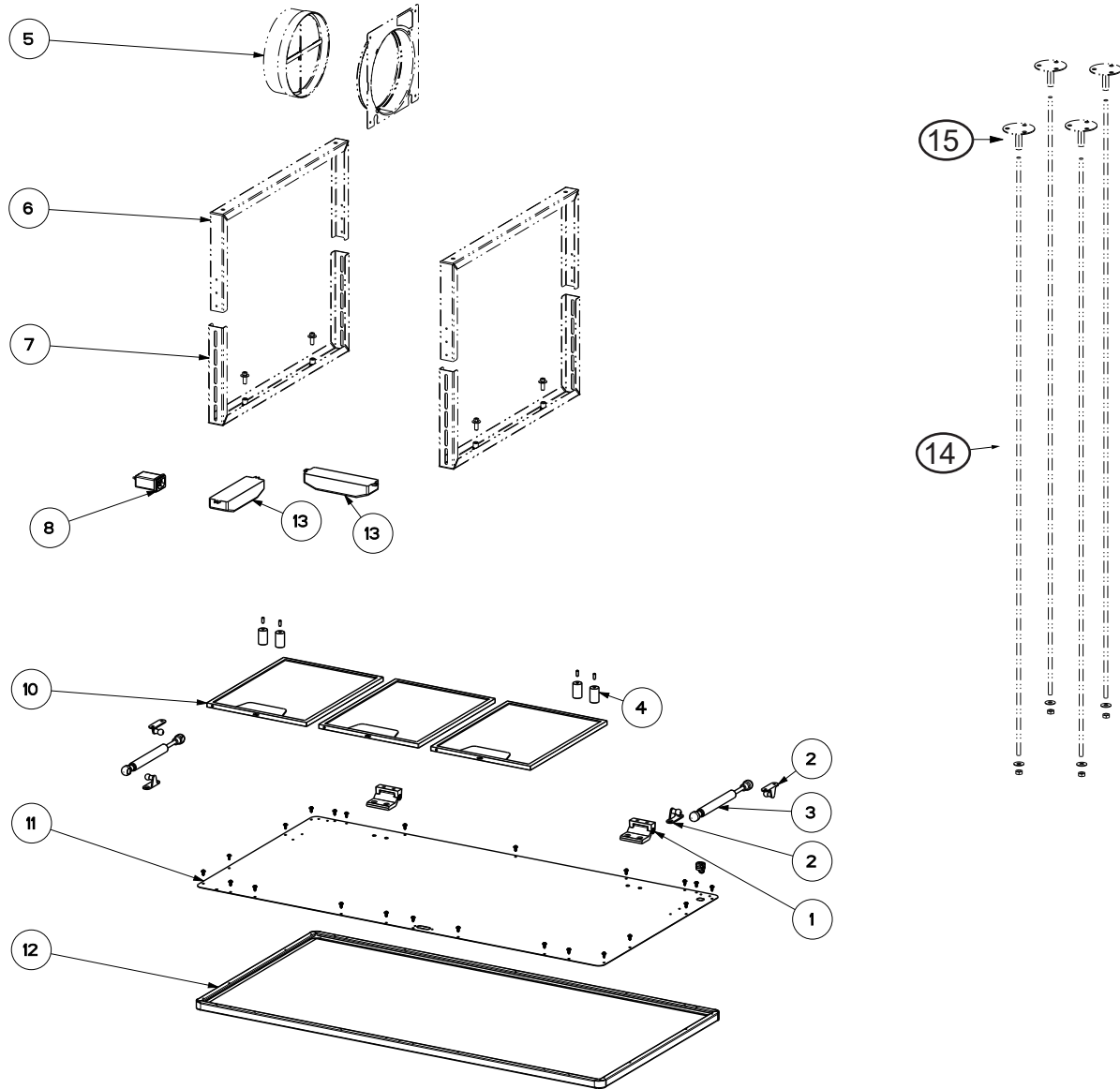


# HIGH-LIGHT NB BLOWER MODEL (Serial # Starts A thru G) body components

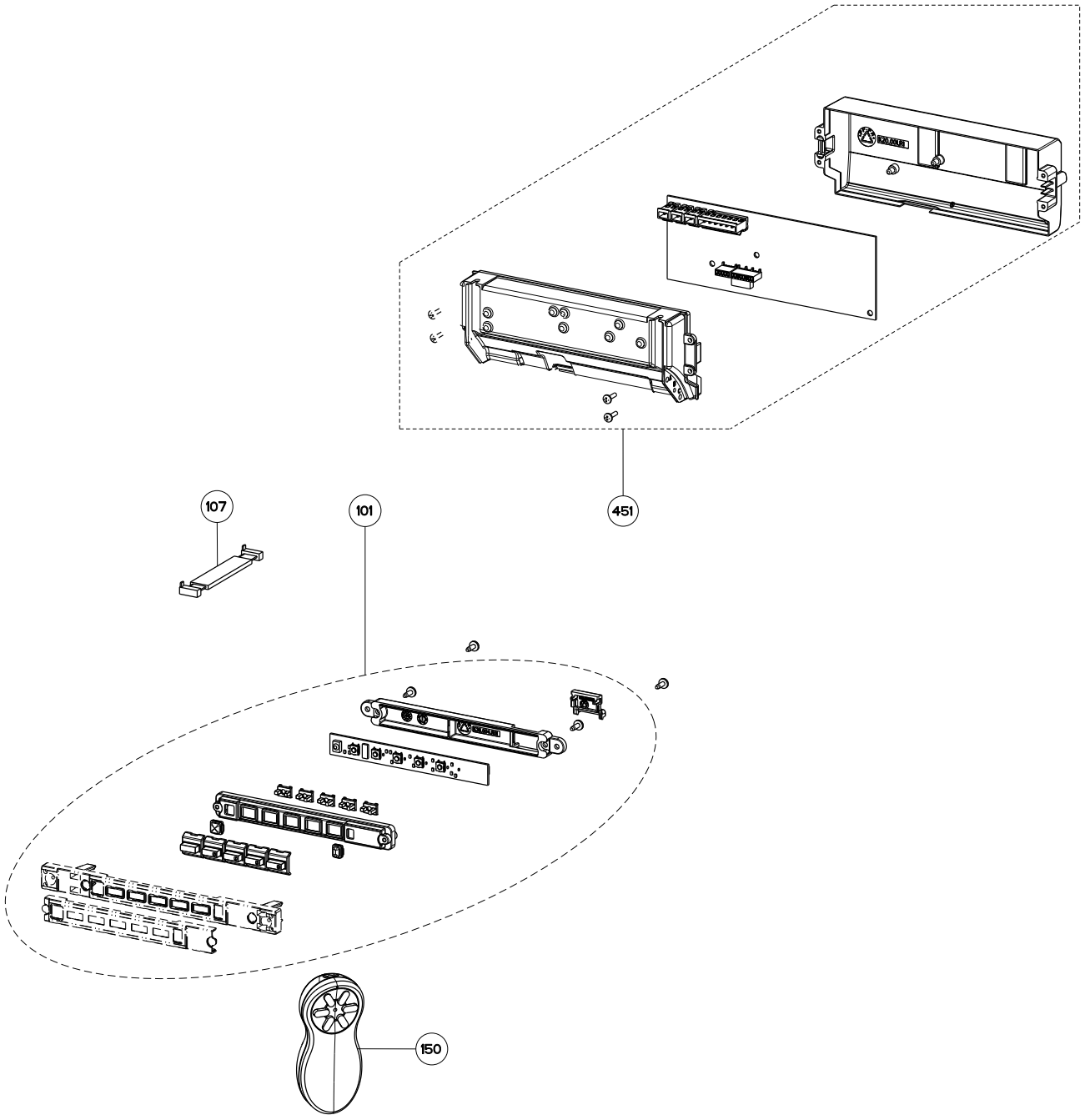


	Model Number	HILTI36SSNB	HILTI36WHNB	
Key	Description	36 Stainless	36 White	Qty Req.
1	Panel Hinge Kit	133.0304.582	133.0304.582	2
2	Gasket Spring	133.0428.204	133.0428.204	2
3	Hinge Panel Support Piston	133.0428.202	133.0428.202	2
4	Magnet	133.0401.022	133.0401.022	4
5	Damper	133.0055.994	133.0055.994	1
*6	Upper Mounting Bracket ( <i>serial A, B - C13</i> )	133.0433.034	133.0433.034	2
*7	Lower Mounting Bracket ( <i>serial A, B - C13</i> )	133.0433.035	133.0433.035	2
8	EMI Filter	133.0312.535	133.0312.535	1
10	Grease Filter	133.0036.291	133.0036.291	3
11	Panel Cover	133.0593.000	133.0593.000	1
12	Light Panel	133.0496.826	133.0496.778	1
13	Transformer	133.0171.826	133.0171.826	1
*14	Threaded Rods (4 pcs) ( <i>serial C14 - G</i> )	133.0366.274	133.0366.274	1
*15	Rod Mounting Brackets (4 pcs) ( <i>serial C14 - G</i> )	133.0366.275	133.0366.275	1

**\* NOTE - Serial Number starting C14, there was a mounting hardware change to threaded rod #14 and bracket #15. Previous models A - C13 used #6 and #7**

# HIGH-LIGHT NB BLOWER MODEL (Serial # Starts A thru G)

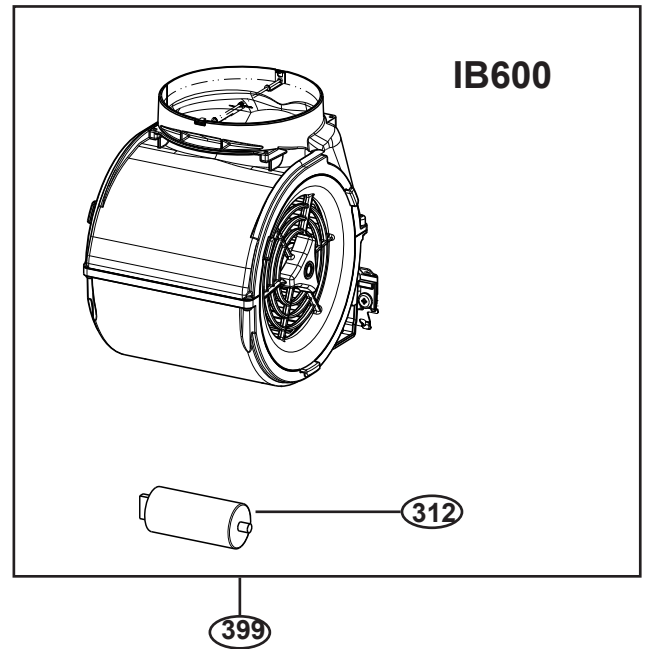
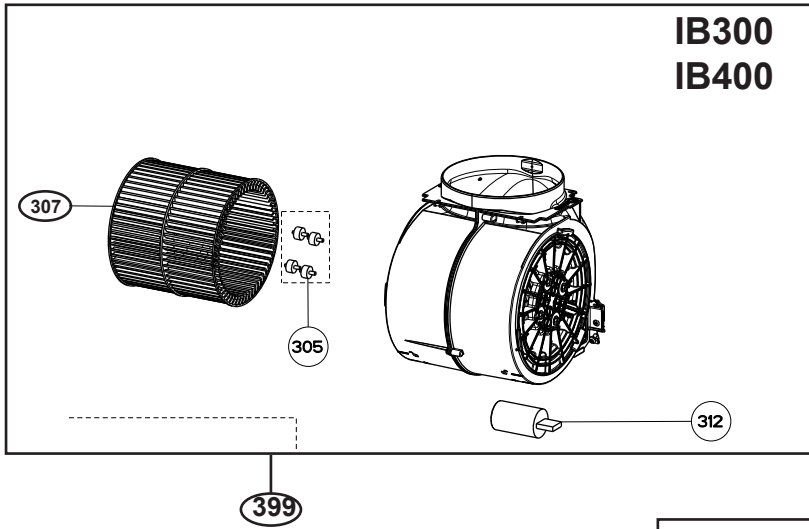
switch / control components



	Model Number	HILTIS36SSNB	HILTIS36WHNB	
Key	Description	36 Stainless	36 White	Qty Req.
101	Control Kit	133.0386.936	133.0386.936	1
107	Ribbon Connector	133.0016.845	133.0016.845	1
451	Control Board	133.0516.453	133.0516.453	1
150	Remote Control	REMORIG	REMORIG	1

# HIGH-LIGHT NB BLOWER MODEL (Serial # Starts A thru G)

## motor components



	Model Number	IB300	IB400	IB600	
Key	Description	300 cfm motor	400 cfm motor	600 cfm motor	Qty Req.
305	Rubber Motor Mount	133.0051.603	133.0051.603		1
307	Impeller	133.0052.519	133.0052.519		1
312	Capacitor	133.0060.648	133.0060.648	133.0060.648	1
399	Motor Group	133.0178.492	133.0052.518	133.0200.468	1