

30" Speed Oven

800 Series – Stainless Steel HMC80252UC



HMC80252UC
Stainless Steel

Also available in:

Black HMC80242UC
Stainless Steel

The speed oven pairs the cooking qualities of a conventional oven with the speed of microwave technology.

Features & Benefits

SpeedChef® cooking cycles offer faster cooking times for your convenience.

Flush install matches Bosch wall oven, steam oven, or warming drawer.

2-in-1 microwave and convection oven for a variety of cooking options.

30" width can be installed in horizontal and vertical configuration.

LED lights

General Properties

Cavity material	Stainless steel
Max. microwave power	1,000 W

Capacity

Cavity capacity	1.6 cu. ft.
Turntable diameter	14 1/8"

Technical Details

Watts	3,840 W
Circuit breaker	16 A
Volts	208-240 V
Frequency	60 Hz
Power cord length	48"
Plug type	Fixed connection, 8" stripped wires



Dimensions & Weight

Overall appliance dimensions (HxWxD)	19 5/8" x 29 3/4" x 22 3/8"
Required cutout size (HxWxD)	(Standard) 19 1/4" x 28 1/2" x 22"
	(Flush) 20 1/8" x 30" x 23 1/2"
Oven overall interior dimensions (HxWxD)	9 7/8" x 16 1/2" x 16 1/2"
Turntable – Metal Max. Cookware	12 3/4" dia.
Turntable – Ceramic Max. Cookware	12 1/2" dia.
Rack – Rectangular Cookware Max.	15" x 12"
Net weight	96 lbs

Accessories—Included

Included	Metal turntable, cooking rack, ceramic cooking tray
----------	---

*To be fully ADA compliant, these units must be installed according to ADA guidelines. Please check current ADA requirements for guidance on installation.

Accessories: To purchase Bosch accessories, cleaners & parts please visit www.bosch-home.com/us/store or call 1-800-944-2904 (Mon to Fri 5 am to 6 pm PST, Sat 6 am to 3 pm PST).

Notes: All height, width and depth dimensions are shown in inches. BSH reserves the absolute and unrestricted right to change product materials and specifications, at any time, without notice. Consult the product's installation instructions for final dimensional data and other details prior to making cutout.

Warranties: Please see Use & Care manual or Bosch website for statement of limited warranty.

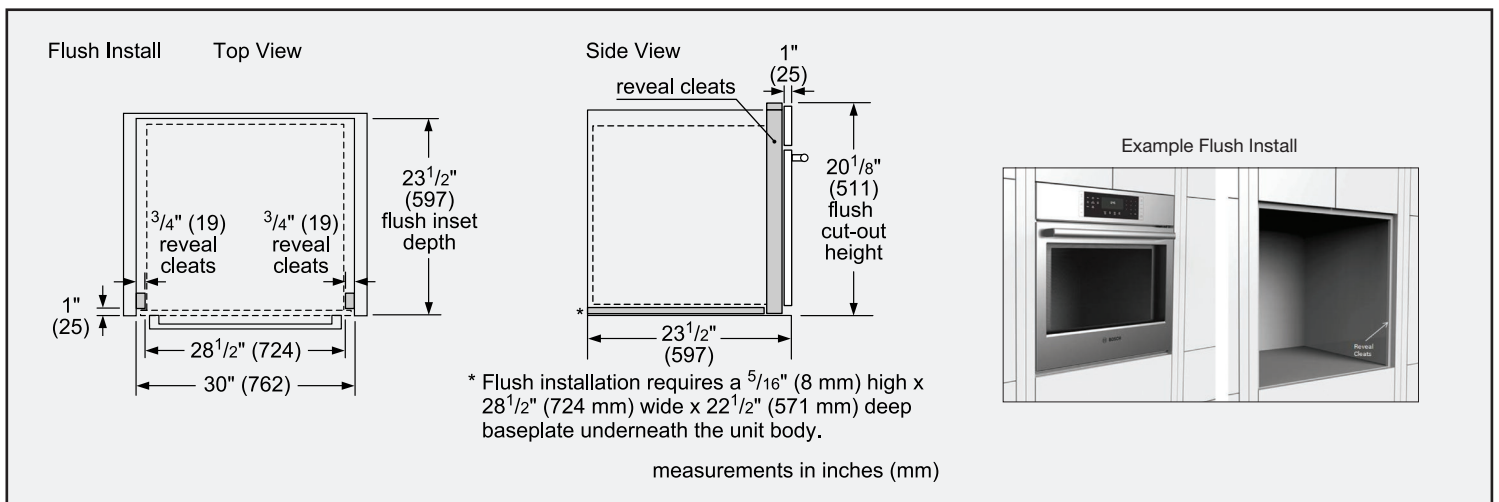
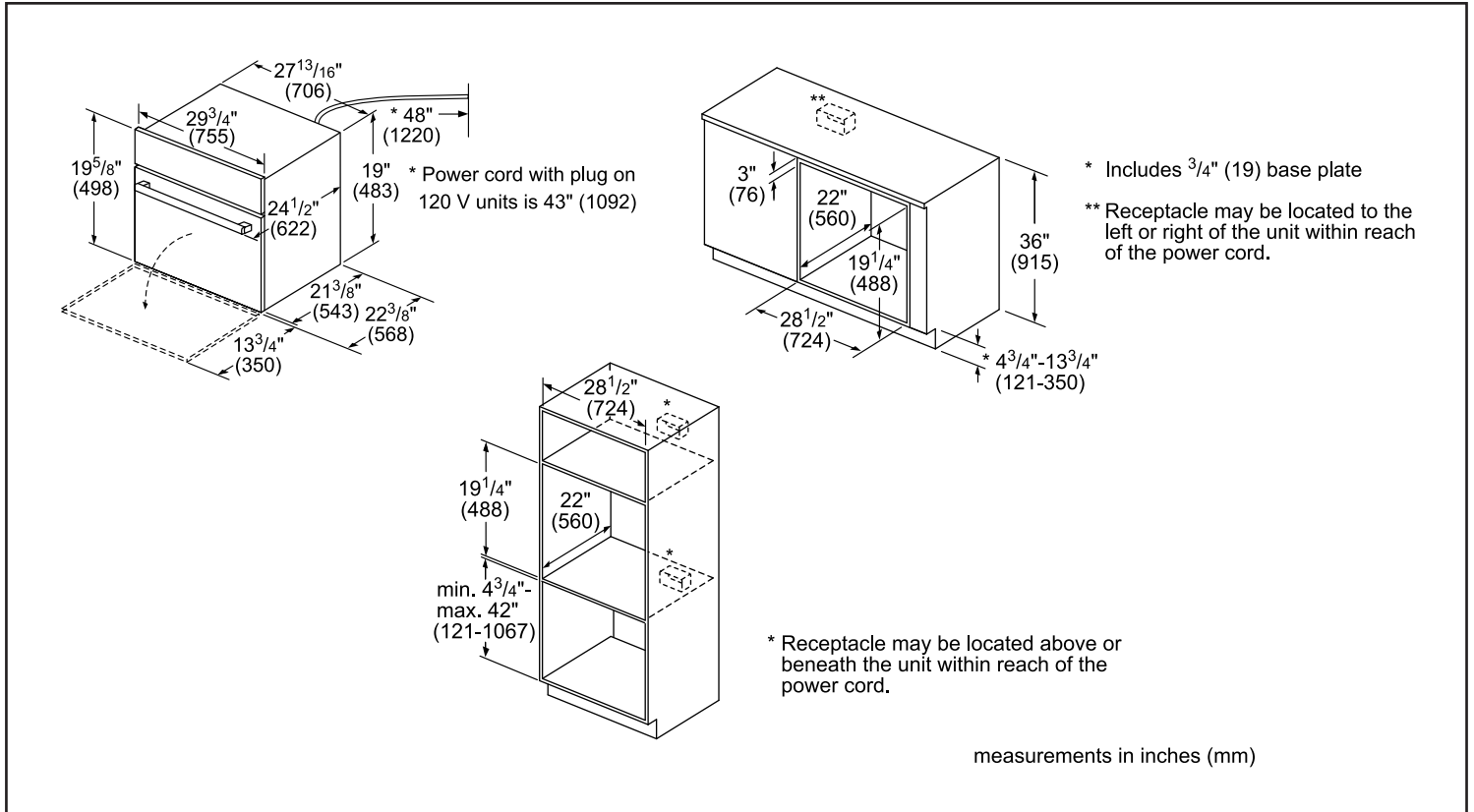
For more information on our entire line of products, go to www.bosch-home.com/us or call 1-800-944-2904

© BSH Home Appliances Corporation. All rights reserved. Bosch is a registered trademark of Robert Bosch GmbH.

30" Speed Oven

800 Series – Stainless Steel HMC80252UC

Installation Details



Accessories: To purchase Bosch accessories, cleaners & parts please visit www.bosch-home.com/us/store or call 1-800-944-2904 (Mon to Fri 5 am to 6 pm PST, Sat 6 am to 3 pm PST).

Notes: All height, width and depth dimensions are shown in inches. BSH reserves the absolute and unrestricted right to change product materials and specifications, at any time, without notice. Consult the product's installation instructions for final dimensional data and other details prior to making cutout.

Warranties: Please see Use & Care manual or Bosch website for statement of limited warranty.

For more information on our entire line of products, go to www.bosch-home.com/us or call 1-800-944-2904

© BSH Home Appliances Corporation. All rights reserved. Bosch is a registered trademark of Robert Bosch GmbH.

30" Speed Oven

800 Series – Stainless Steel HMC80252UC

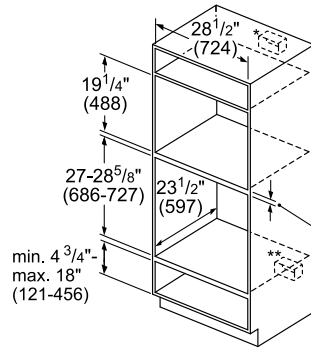


BOSCH

Invented for life

Installation Details

Standard Installation Over Single Oven



*Junction box may be located above or next to the unit within reach of the power cord.

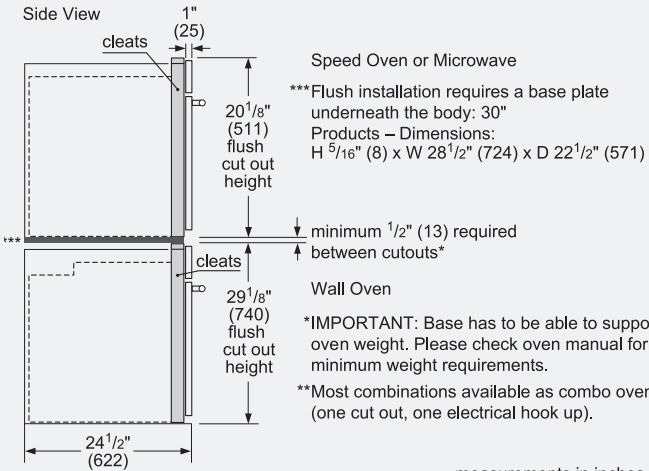
**Junction box may be located below (depending on space) or next to the unit within reach of the power cord.

***Most combinations available as combo oven (one cut out, one electrical hook up).

Minimum dimension between cut outs:

- 1" (25 mm) for wall oven cut out height of 28 5/8"
- 2 5/8" (67 mm) for wall oven cut out height of 27"

Flush Installation Over Single Oven



Speed Oven or Microwave

***Flush installation requires a base plate underneath the body: 30" Products – Dimensions: H 5/16" (8) x W 28 1/2" (724) x D 22 1/2" (571)

minimum 1/2" (13) required between cutouts*

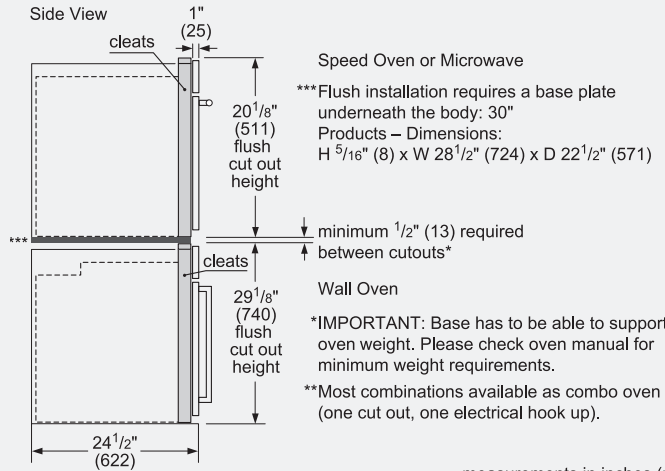
Wall Oven

*IMPORTANT: Base has to be able to support oven weight. Please check oven manual for minimum weight requirements.

**Most combinations available as combo oven (one cut out, one electrical hook up).

measurements in inches (mm)

Flush Installation Over Single Oven with Side Swing door



Speed Oven or Microwave

***Flush installation requires a base plate underneath the body: 30" Products – Dimensions: H 5/16" (8) x W 28 1/2" (724) x D 22 1/2" (571)

minimum 1/2" (13) required between cutouts*

Wall Oven

*IMPORTANT: Base has to be able to support oven weight. Please check oven manual for minimum weight requirements.

**Most combinations available as combo oven (one cut out, one electrical hook up).

measurements in inches (mm)

Accessories: To purchase Bosch accessories, cleaners & parts please visit www.bosch-home.com/us/store or call 1-800-944-2904 (Mon to Fri 5 am to 6 pm PST, Sat 6 am to 3 pm PST).

Notes: All height, width and depth dimensions are shown in inches. BSH reserves the absolute and unrestricted right to change product materials and specifications, at any time, without notice. Consult the product's installation instructions for final dimensional data and other details prior to making cutout.

Warranties: Please see Use & Care manual or Bosch website for statement of limited warranty.

For more information on our entire line of products, go to www.bosch-home.com/us or call 1-800-944-2904

© BSH Home Appliances Corporation. All rights reserved. Bosch is a registered trademark of Robert Bosch GmbH.

30" Speed Oven

800 Series – Stainless Steel HMC80252UC



BOSCH
Invented for life

Bosch Side-By-Side Built-In Oven Approved Combination Guide

Single ovens, microwaves, speed ovens, and drawers approved by BSH Home Appliances Corporation to be installed in combination.

IMPORTANT: When installing an oven in combination, a minimum distance between the ovens is required. Refer to the oven installation manual for all other measurements.

Do not install a self-cleaning oven beside another self-cleaning oven.

Appliances that are not listed must be approved under local codes and/or by the local authority having jurisdiction. For the latest updates to the approved combination, refer to the website listed in your appliance's installation instructions.

Approved Combinations

Conventional Ovens	Built-in Microwaves	Steam Ovens	Speed Ovens	Warming Drawer
HBLxxx1RUC, HBLxxx4RUC, HBLxxx1LUC, HBLxxx4LUC, HBLxxx1UC, HBLxxx3UC, HBLxxx4UC, HBNxxx1UC	HMB50152UC	HSLP451UC	HMC80152UC, HMC80252UC, HMC80242UC, HMCP0252UC	HWD5051UC
Coffee maker with trim kit				
BCM8450UC + HEZCMT3050				

Refer to product installation instructions.

The suitability of the following combination has been evaluated by CSA.

Conventional Ovens	Steam Ovens	Warming Drawer
HBLxxx1RUC, HBLxxx4RUC, HBLxxx1LUC, HBLxxx4LUC, HBLxxx1UC, HBLxxx3UC, HBLxxx4UC, HBNxxx1UC	HSLP451UC	HWD5051UC

Refer to product installation instructions.

Configuration	Left Oven Type	Middle Oven Type	Right Oven Type
Side-by-side-by-side 1	Conventional oven	Steam/speed/microwave	Conventional oven
Side-by-side-by-side 2	Steam, speed, or microwave	Conventional oven**	Steam, speed, or microwave

** Bottom hinge door models only. Side hinge door not recommended.

Accessories: To purchase Bosch accessories, cleaners & parts please visit www.bosch-home.com/us/store or call 1-800-944-2904 (Mon to Fri 5 am to 6 pm PST, Sat 6 am to 3 pm PST).

Notes: All height, width and depth dimensions are shown in inches. BSH reserves the absolute and unrestricted right to change product materials and specifications, at any time, without notice. Consult the product's installation instructions for final dimensional data and other details prior to making cutout.

Warranties: Please see Use & Care manual or Bosch website for statement of limited warranty.

For more information on our entire line of products, go to www.bosch-home.com/us or call 1-800-944-2904

© BSH Home Appliances Corporation. All rights reserved. Bosch is a registered trademark of Robert Bosch GmbH.

