

# 30" Drawer Microwave

800 Series – Stainless Steel HMD8053UC



**BOSCH**  
Invented for life



**HMD8053UC**  
Stainless Steel

**The 30" drawer microwave opens and closes automatically with the push of a button, and can be installed flush to cabinet.**

## Features & Benefits

Convenient automatic sensor programs simplify cooking for great results every time.

Low profile design with touch "open" and "close".

Enough room to fit a 4 qt. casserole dish.

Install under a counter or in a wall cabinet.

White touch control LCD matches Bosch wall ovens.

## General Properties

Cavity material	White
Max. microwave power	950 W

## Capacity

Cavity capacity	1.2 cu. ft.
-----------------	-------------

## Technical Details

Watts	1,500 W
Circuit breaker	15 A
Volts	120 V
Frequency	60 Hz
Power cord length	48"
Plug type	120V-3 prong

## Dimensions & Weight

Overall appliance dimensions (HxWxD)	16 5/16" x 30" x 23 3/8"
Required cutout size (HxWxD)	14 13/16" x 28 1/4" x 23 1/2"
Net weight	88 lbs



**Accessories:** To purchase Bosch accessories, cleaners & parts please visit [www.bosch-home.com/us/store](http://www.bosch-home.com/us/store) or call 1-800-944-2904 (Mon to Fri 5 am to 6 pm PST, Sat 6 am to 3 pm PST).

**Notes:** All height, width and depth dimensions are shown in inches. BSH reserves the absolute and unrestricted right to change product materials and specifications, at any time, without notice. Consult the product's installation instructions for final dimensional data and other details prior to making cutout.

**Warranties:** Please see Use & Care manual or Bosch website for statement of limited warranty.

**For more information on our entire line of products, go to [www.bosch-home.com/us](http://www.bosch-home.com/us) or call 1-800-944-2904**

© BSH Home Appliances Corporation. All rights reserved. Bosch is a registered trademark of Robert Bosch GmbH.

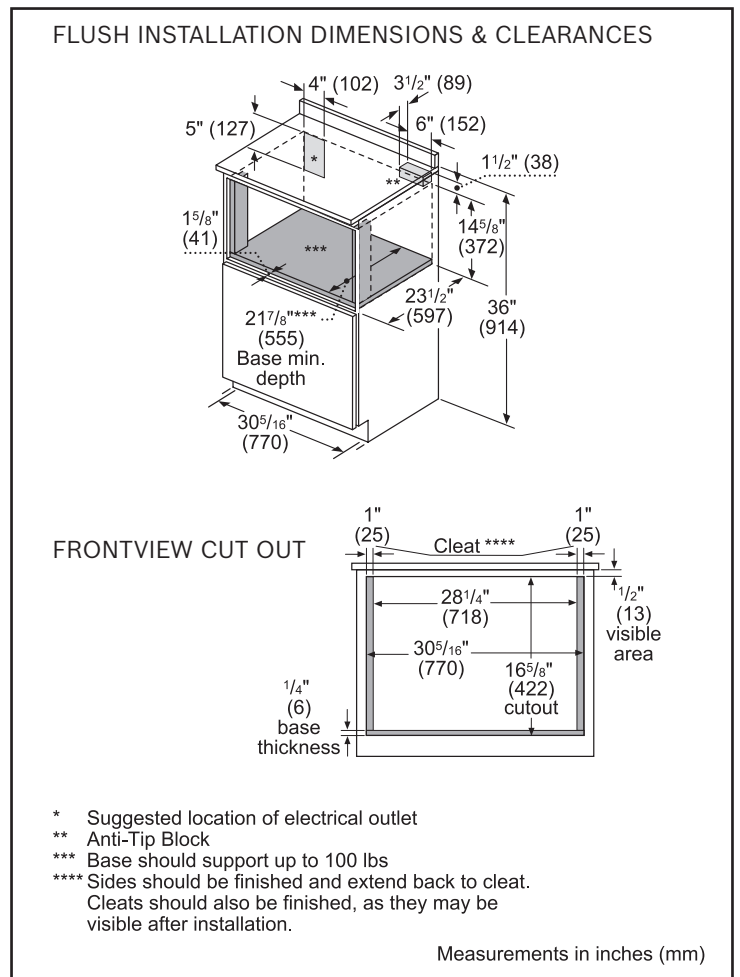
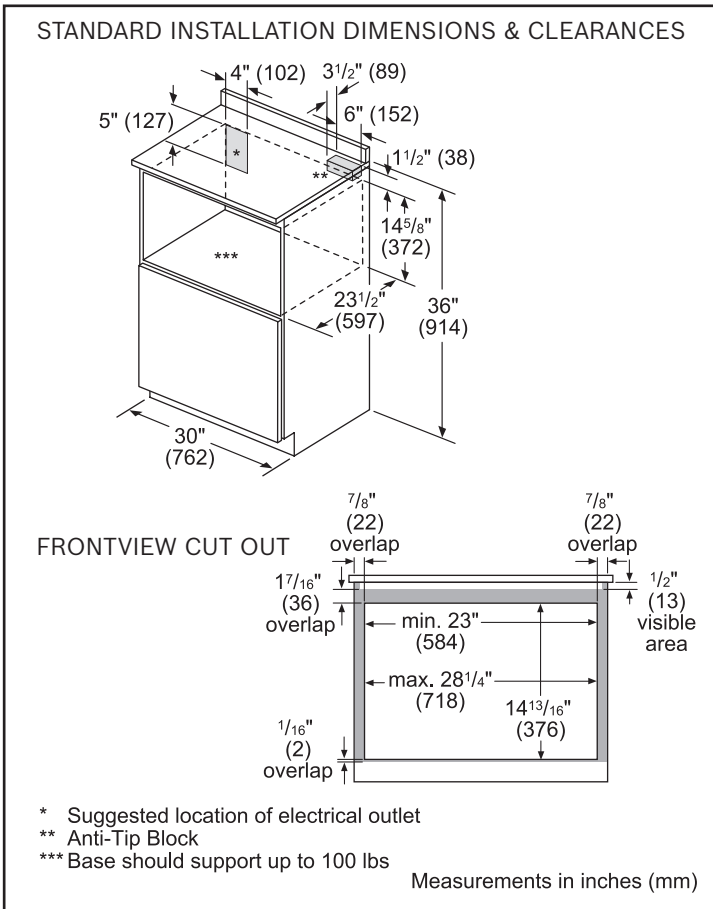
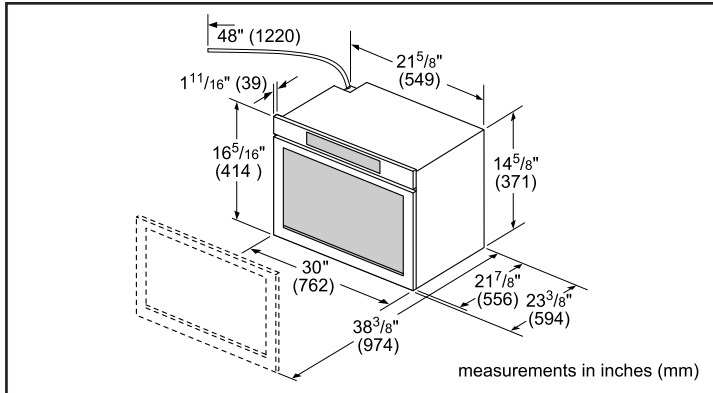
# 30" Drawer Microwave

800 Series – Stainless Steel HMD8053UC



**BOSCH**  
Invented for life

## Installation Details



**Accessories:** To purchase Bosch accessories, cleaners & parts please visit [www.bosch-home.com/us/store](http://www.bosch-home.com/us/store) or call 1-800-944-2904 (Mon to Fri 5 am to 6 pm PST, Sat 6 am to 3 pm PST).

**Notes:** All height, width and depth dimensions are shown in inches. BSH reserves the absolute and unrestricted right to change product materials and specifications, at any time, without notice. Consult the product's installation instructions for final dimensional data and other details prior to making cutout.

**Warranties:** Please see Use & Care manual or Bosch website for statement of limited warranty.

**For more information on our entire line of products, go to [www.bosch-home.com/us](http://www.bosch-home.com/us) or call 1-800-944-2904**

© BSH Home Appliances Corporation. All rights reserved. Bosch is a registered trademark of Robert Bosch GmbH.