

HPD24414W / HPD24414W2



24" Ventless Heat Pump Dryer



GENERAL PROPERTIES

Dryer Type	Heat Pump, Ventless
Style	Front Load
Capacity	4.5 cu. ft.
Dry Load Capacity	17.7 lbs.
Control Type	Digital Display (White LED)
Connectivity	WiFi thru HomeWhiz™
Matching Washer	WFTV10733XC

FEATURES

Steam Dryer	Yes
OptiSense (Sensor Drying)	Yes
Bi-Directional Drum Action	Yes
Interior Drum LED Lighting	Yes
Automatic Water Draining	Yes
Clean Filter Indicator	Yes
Program Follower	Yes
Delay Start Time (Ending In)	0-24 Hours

PREMIUM TECHNOLOGY



IRONFINISH

Introducing steam at just the right time and temperature gives you clothes ready to wear right out of the dryer.



SANIDRY & SANIREFRESH

New programs use steam and precise temperatures for perfectly fresh and sanitized clothes.



ENERGY STAR® MOST EFFICIENT

There's no reason to sacrifice the serenity of your home for the performance of a Beko washer and dryer. Our technologically advanced ProSmart Inverter Motor provides both noise reduction and superior cleaning ability. Plus, it's durable and energy efficient, so you can have some peace with your quiet.

HPD24414W / HPD24414W2



24" Ventless Heat Pump Dryer

FEATURES CONTINUED

Remaining Time Indicator	Yes
End of Cycle Buzzer (On / Off)	Yes
Child Lock	Yes
ProSmart Inverter Motor	Yes
Silence Level	66 dBA
Glass Door	Yes, with Heat Protection
Adjustable Leveling Legs	4
Stackable	Yes

EFFICIENCY

Energy Efficiency Class	CEE Advanced Tier
ENERGY STAR® Certified	Yes, Most Efficient 2022
Total Annual Energy Consumption (kWh)	217 kWh/year

CYCLES

Number of Cycles	15
Cottons / Normal	Yes
Cottons Eco / Energy Saver Cycle	Yes
Permanent Press	Yes
Fitness Wear	Yes
Mixed Fabric	Yes
Jeans	Yes
Bulky / Large Items	Yes
SaniDry	Yes
SaniRefresh	Yes
Easy Iron	Yes
Gentle Care	Yes
Silent	Yes
Quick Dry (30 Min.)	Yes
Timed Dry	Yes, 10-160 Min.
Download Cycles	Yes (Bedding, Underwear, Towel, Refresh (Wool Refresh, Wool Protect))

OPTIONS

Dry / Time Level	Yes
Remote Control	Yes

MATERIALS AND FINISHES

Drum Material	Stainless Steel
Cabinet	White
Door Rim	Chrome
Cycle Selector Knob	Black with Chrome Rim

TECHNICAL INFORMATION

Energy Source	Electric
Total Power (W)	800 W
Volts / Frequency	208/240V / 60Hz
Rated Amps (A) / Min. Circuit Breaker	4 A / 15 A
Circuit Required for Laundry Pair	30A Dedicated (matching washer can plug into dryer)
Power Cord	Included, 4-Wire (NEMA 14 -30R)
Power Cord Length	4.9 ft.
Drain Hose Length	63 1/2 in.
Door Hinge	Right Side (Reversible)

DIMENSIONS & WEIGHT

Product Dimensions (HxWxD) (in)	33 5/16 x 23 5/8 x 27 1/2
Product Depth with Door Open (in)	46 1/2
Product Height When Stacked (in)	67 3/4
Required Cutout Size (HxWxD) (in)	36 x 24 3/4 x 25
Carton (H x W x D) (in)	35 x 26 1/5 x 28
Product Weight (lbs)	122.3
Shipping Weight (lbs)	132.27

HPD24414W / HPD24414W2



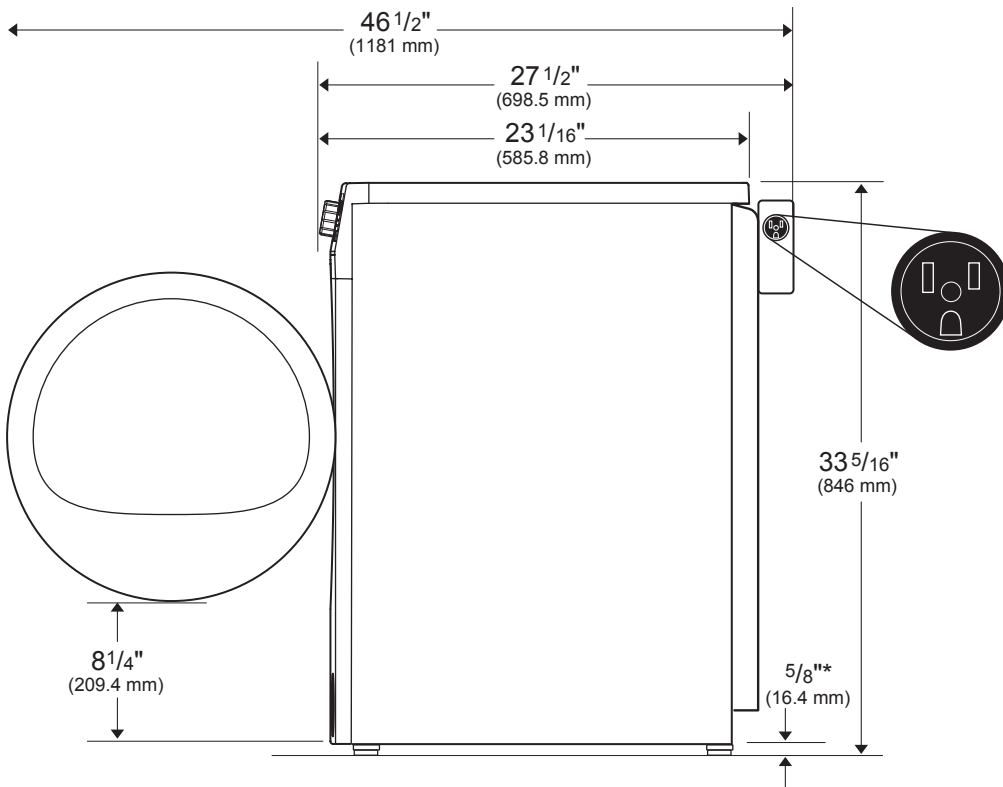
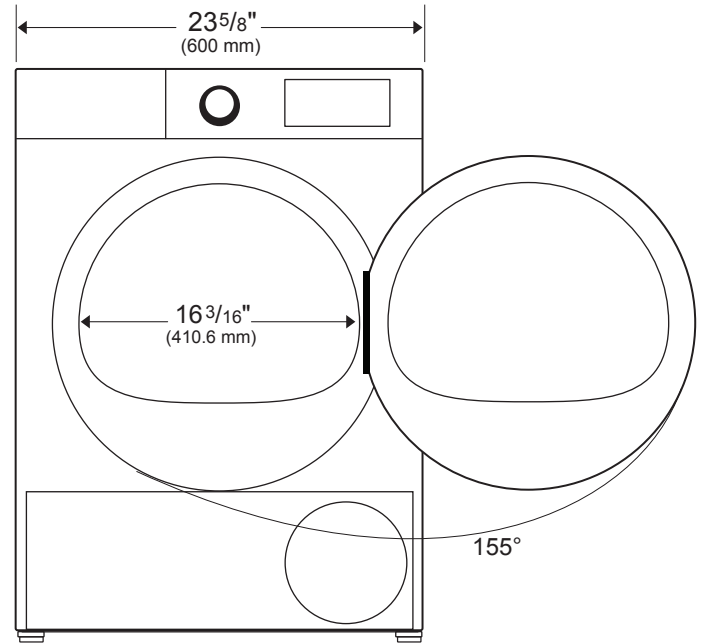
24" Ventless Heat Pump Dryer

ACCESSORIES (INCLUDED)

Stacking Kit	Yes (2974640200)
Drain Hose	Yes

WARRANTY

Entire Appliance	2 year Limited Warranty (Parts & Labor)
Circuit Board and Dryer Drum	5-year Limited Warranty (Parts Only Years 3-5)
Stainless Steel Drum	Lifetime (Parts Only After 2 Years)



*Adjustable to 1" max. (25.4 mm)

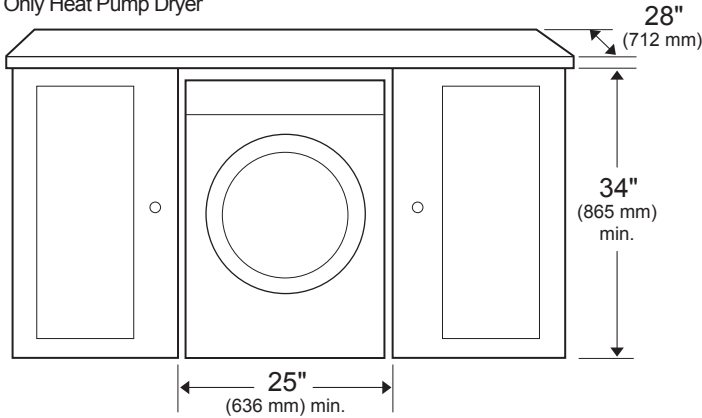
HPD24414W / HPD24414W2



24" Ventless Heat Pump Dryer

Clearances for Undercounter Installation

Only Heat Pump Dryer

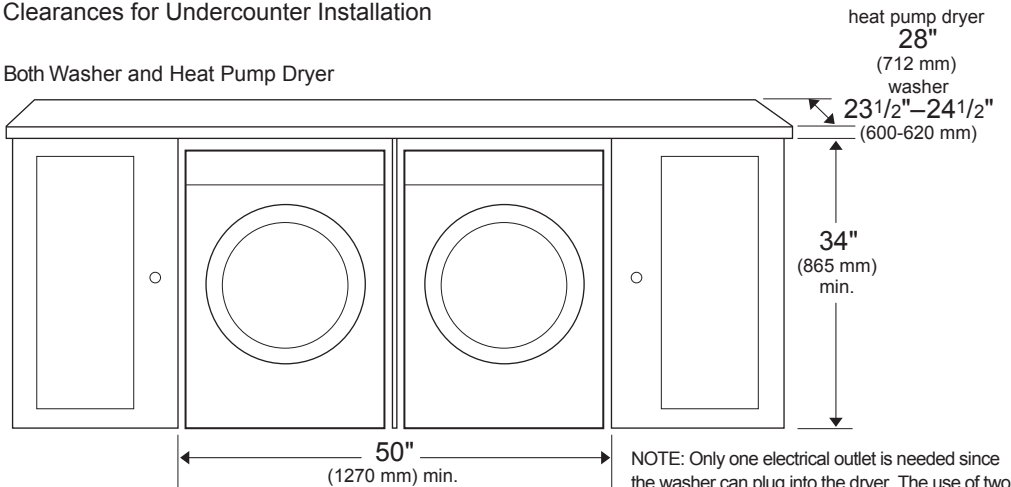


Required Minimum Clearances:
(Stand Alone, Side by Side, or Stacked)

Washer	Heat Pump Dryer
Top: 1" (25 mm)	Top: 1" (25 mm)
Sides: 1/2" (13 mm)	Sides: 1/2" (13 mm)
Rear: 1/2" (13 mm)	Rear: 1/2" (13 mm)
Front: 1/2" (13 mm)	Front: 3/16" (5 mm)

Clearances for Undercounter Installation

Both Washer and Heat Pump Dryer



NOTE: Only one electrical outlet is needed since the washer can plug into the dryer. The use of two electrical outlets may be used as an alternative.

Closet Door Ventilation Requirement

Washer:
A louver having minimum 23 in² (148 cm²) air opening located at 3 in (7.62 cm) distance from the bottom of closet door.

Vented Dryer:
A louver having minimum 46 in² (297 cm²) air opening located at 3 in (7.62 cm) distance from the top of closet door.

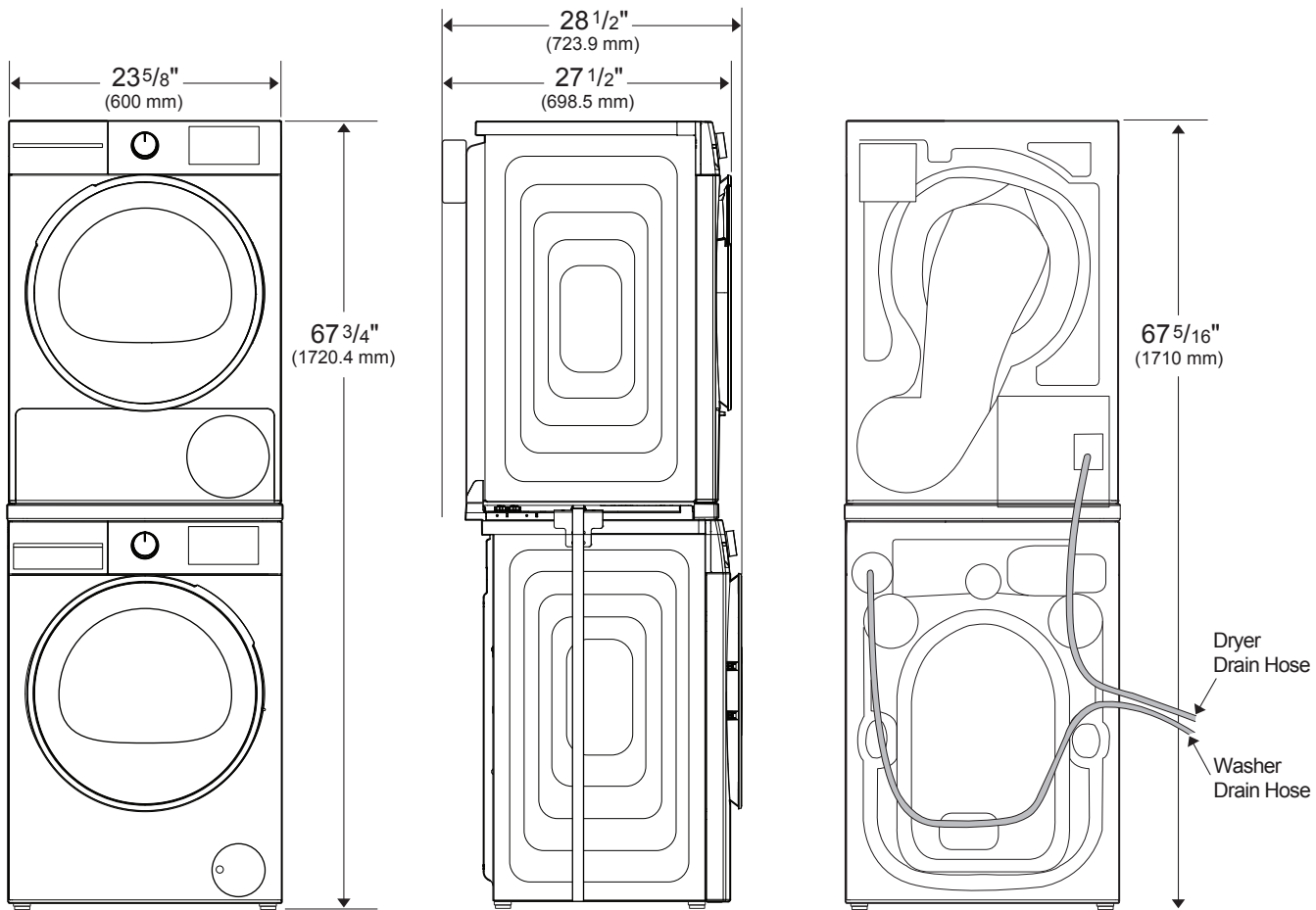
Heat Pump Dryer:
Closet door must have 2 openings, one located 3.2 inches (8 cm) from bottom of door having a minimum area of 16 in² (103 cm²) and the other one located 3 inches (7.5 cm) from top of door having a minimum area of 46 in² (294 cm²).

HPD24414W / HPD24414W2



24" Ventless Heat Pump Dryer

Stacked Installation – Washer and Ventless Heat Pump Dryer



NOTE: Only one electrical outlet is needed since the washer can plug into the dryer. The use of two electrical outlets may be used as an alternative.

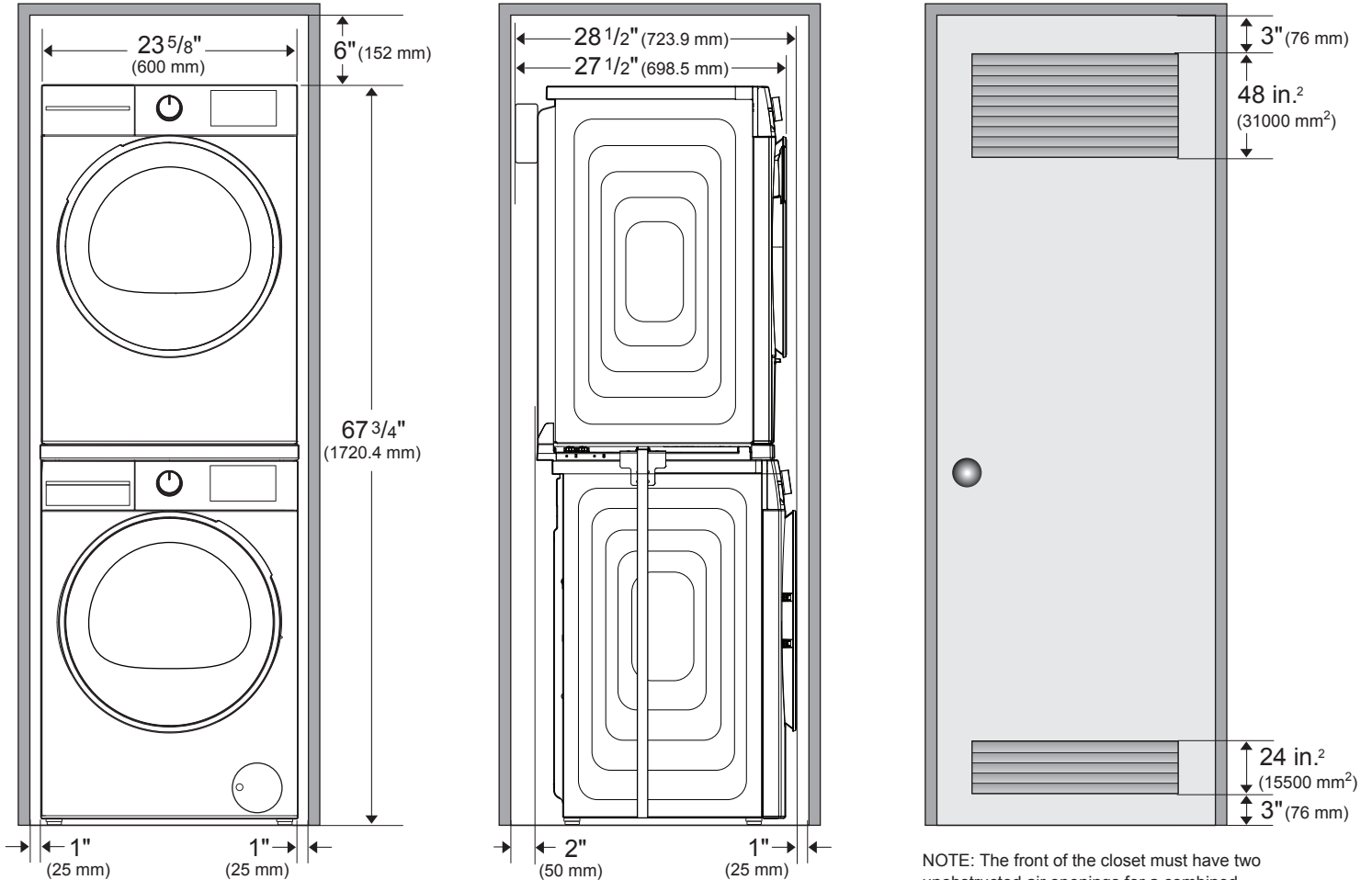
NOTE TO THE INSTALLER: All height, width, and depth dimensions are shown in inches (as well as metric). Beko U.S., Inc. reserves the absolute and unrestricted right to change product materials and specifications, at any time, without notice. Please visit our website, www.BekoAppliances.com, or call 888.352.2356 to verify the latest specifications with final dimensional data and other details prior to installation and making a cutout. Applicable product limited warranty information may be found in accompanying product materials, or you may contact your account manager for further details. Proper installation is the responsibility of the installer. Product failure due to improper installation is not covered under the Limited Warranty.

HPD24414W / HPD24414W2



24" Ventless Heat Pump Dryer

Stacked Installation in Closet or Enclosed Space – Washer and Ventless Heat Pump Dryer



NOTE: Only one electrical outlet is needed since the washer can plug into the dryer. The use of two electrical outlets may be used as an alternative.

NOTE: The front of the closet must have two unobstructed air openings for a combined minimum total area of 72 sq.in. (465 sq.cm) with a minimum clearance of 3 in. (76 mm) at the top and bottom. A slatted door with equivalent space clearance is acceptable.

NOTE TO THE INSTALLER: All height, width, and depth dimensions are shown in inches (as well as metric). Beko U.S., Inc. reserves the absolute and unrestricted right to change product materials and specifications, at any time, without notice. Please visit our website, www.BekoAppliances.com, or call 888.352.2356 to verify the latest specifications with final dimensional data and other details prior to installation and making a cutout. Applicable product limited warranty information may be found in accompanying product materials, or you may contact your account manager for further details. Proper installation is the responsibility of the installer. Product failure due to improper installation is not covered under the Limited Warranty.