



Prop. 65 Warning for California Residents

WARNING: This product may contain chemicals known to the State of California to cause cancer, birth defects, or other reproductive harm.



Dispose of properly in accordance with federal and/or local regulations. In case of punctured tubing follow all handling instructions carefully.

INSTALLATION



WARNING

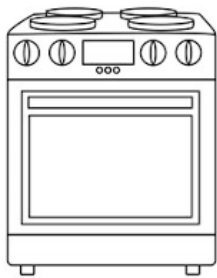
- Product label is on the front of the oven.
- Never attempt to operate this appliance if it is damaged, malfunctioning, partially disassembled, or has missing or broken parts, including a damaged cord or plug.
- Do not remove the ground prong from the power cord.
- Do not install using an extension cord.
- Do not use an adapter on the wall socket.
- Do not pull out the plug using the power cord. Firmly grasp the plug and pull it out from the socket.
- When moving the appliance, be careful not to roll, bend, pinch or damage the power cord.
- Do not install the appliance in a damp or dusty place where insulation or electrical parts may deteriorate.
- Do not place electrical appliances on top of the appliance.
- Do not use sharp instruments, rubbing alcohol, flammable fluids, or abrasive cleaners to remove tape or glue. These products can damage the surface of your appliance.
- Be sure your appliance is properly installed and grounded by a qualified technician. In the United States, install in accordance with the National Fuel Gas Code ANSI Z223.1/NPFA No. 54, latest edition, and National Electrical Code NFPA No. 70 latest edition, and local electrical code requirements. In Canada, install in accordance with CAN/CGA B149.1 and CAN/CGA B149.2 and CSA Standard C22.1, Canadian Electrical code, Part 1-latest editions and local electrical code requirements. Install only per installation instructions provided in the literature package for this appliance.



CAUTION

- Remove all tape and packaging before using the appliance. Destroy the carton and plastic bags after unpacking the appliance.
- Do not remove the wiring label and other literature attached to the appliance.

- Do not remove model/serial number plate.
- Cold temperatures can damage the electronic control. When using this appliance for the first time, or when the appliance has not been used for an extended period of time, be sure the appliance has been in temperatures above 32°F (0°C) for at least 3 hours before turning on the power to the appliance.
- Do not use an outlet that can be turned off with a switch.
- Install the appliance in a dry and well ventilated room. Ambient temperature should be between 18 °C ~ 38 °C (64 °F ~ 100 °F).
- To avoid injury or damage to the appliance, installation should be carried out by two people.
- The appliance is heavy. Protect the floor when moving the appliance for cleaning or servicing.
- Always pull the appliance straight out when moving it. Do not wiggle or walk the appliance as floor damage could occur.
- Keep ventilation openings clear of obstructions.
- Never pick up or move the appliance by the door or door handle.
- Never modify or alter the construction of the appliance by removing the leveling legs, panels, wire covers, anti-tip brackets/screws, or any other part of the appliance.
- Be sure to have an appropriate foam-type fire extinguisher available, visible, and easily accessible located near the appliance.



UNPACK



CHOOSE LOCATION



LEVEL LEGS

Remove the Packaging

- Remove tape and any temporary labels from your appliance before use. Do not remove any warning labels, the model and serial number labels, or the circuit diagram from the appliance as this will void the warranty.
- After removing the packaging material from the appliance and its accessories, ensure that the appliance is not damaged. If you suspect any damage, do not use it and contact an authorised service person or qualified technician immediately.
- Carefully remove the protective plastic film on the doors and appl body.
- If required, carefully use tweezers or other small instruments to start the peeling at the corners.

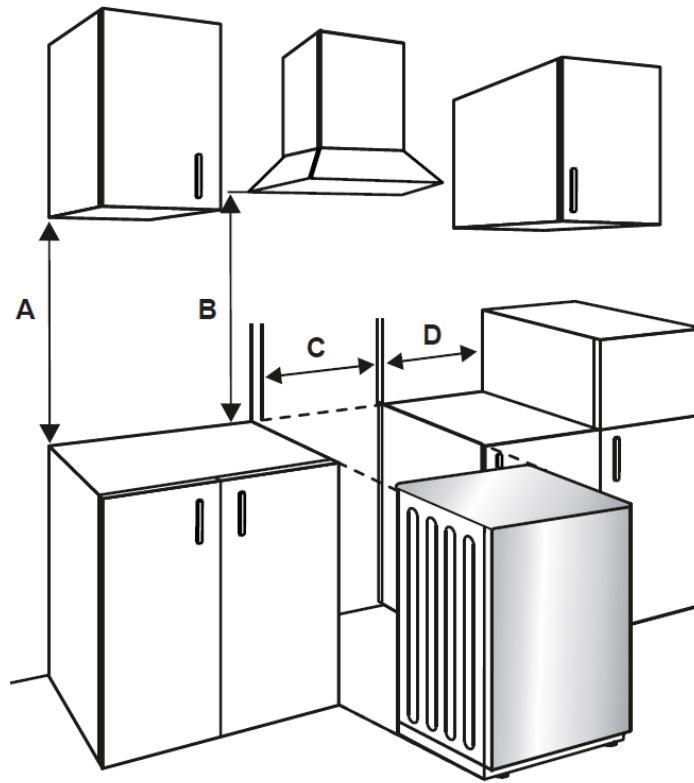
General Installation Instructions:

- After removing the packaging material from the appliance and its accessories, ensure that the appliance is not damaged. If you suspect any damage, do not use it, and contact an authorised service person or qualified technician immediately.
- Make sure that there are no flammable or combustible materials in the close vicinity, such as curtains, oil, cloth etc. which may catch fire.
- The worktop and furniture surrounding the appliance must be made of materials resistant to temperatures above 215°F.
- The appliance should not be installed directly above a dishwasher, fridge, freezer, washing machine or clothes dryer.
- The appliance can be placed close to other furniture on condition that, in the area where the appliance is set up, the furniture's height does not exceed the height of the cooktop.
- To eliminate the risk of burns or fire when reaching over hot surface elements, cabinet storage space above the cooktop should be avoided. If cabinet storage space is to be provided above cooktop, the risk can be reduced by installing a range hood that protrudes at least 5" (127 mm) beyond the front of the cabinets. Cabinets installed above a cooktop may be no deeper than 13" (330 mm).

Stove Installation Instructions:

- If the kitchen furniture is higher than the cooktop, the kitchen furniture must be at least 10 cm away from the sides of appliance for air circulation.
- If a cooker hood or cupboard is to be installed above the appliance, the safety distance between cooktop and any cupboard/cooker hood should be as shown to the right.

A (mm) Cupboard	420
B (mm) Range Hood	650/700
C (mm)	Product Width
D (mm)	50

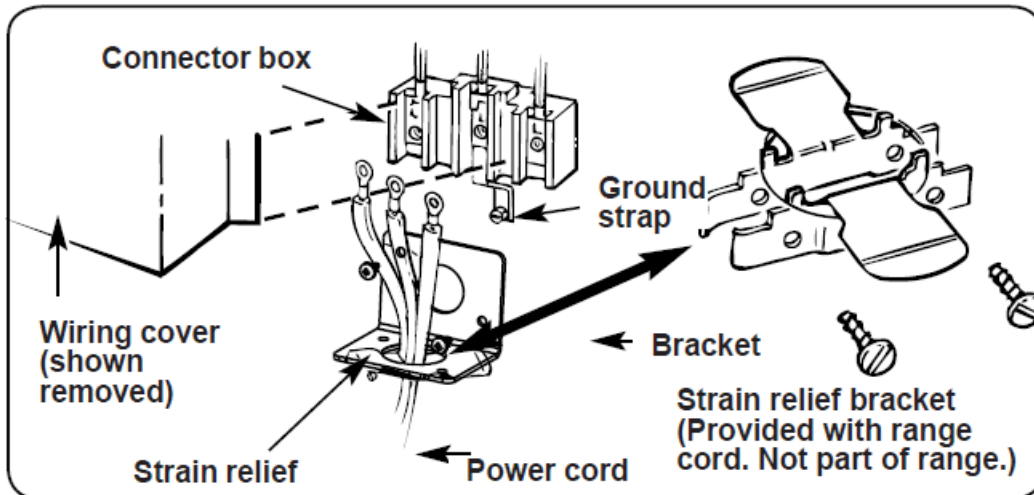


Prepare The Electrical Connection:

- Effective January 1, 1996 the National Electric Code requires that new construction (not existing) utilize a 4-conductor connection to an electric range. When installing an electric range in new construction follow Steps 3 and 5 for 4-wire connection.
- Use only a 3-conductor or a 4-conductor UL-listed range cord. These cords may be provided with ring terminals on wire and a strain relief device. A range cord rated at 40 amps with 125/250 minimum volt range is required. A 50-amp range cord is not recommended but if used, it should be marked for use with nominal 13/8" diameter connection openings. Care should be taken to center the cable and strain relief within the knockout hole to keep the edge from damaging the cable.
- NOTE: A 4-conductor cord is to be used when the appliance is installed in a mobile home or when local codes do not permit grounding through the neutral. If conduit is being used, go to Step 6 or 7.

Power Cord Strain Relief Installation

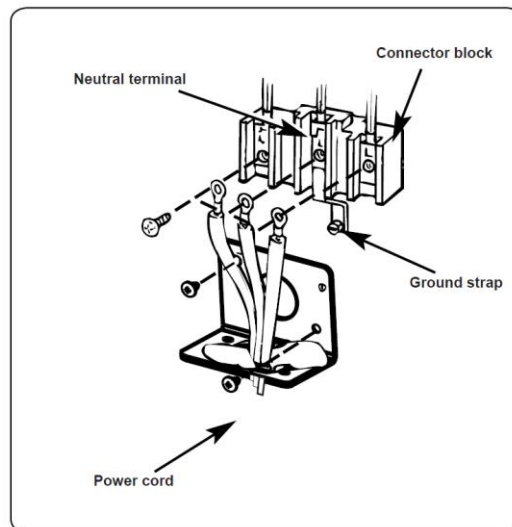
- Only a 4-conductor power-supply cord kit rated 240 volts, 40 amperes and marked for use with ranges must be used.
- Assemble the strain relief in the hole. Insert the power cord through the strain relief and tighten. Allow enough slack to easily attach the cord terminals to the connector block. If tabs are present at the end of the winged strain relief, they can be removed for better fit.
- NOTE: Do not install the power cord without a strain relief. The strain relief bracket should be installed before reinstalling the rear range wiring cover.



3-Wire Power Cord Installation

! WARNING: The neutral or ground wire of the power cord must be connected to the neutral terminal located in the center of the connector block. The power leads must be connected to the outside (brass colored) terminals.

- Remove the 3 wire terminal screws from the connector block. Insert screws through each power cord terminal ring and into the connector block until the screws engage the nuts. Be certain that the center wire is connected to the center screw of the connector block. Tighten screws securely.
- Do NOT remove ground strap connection.

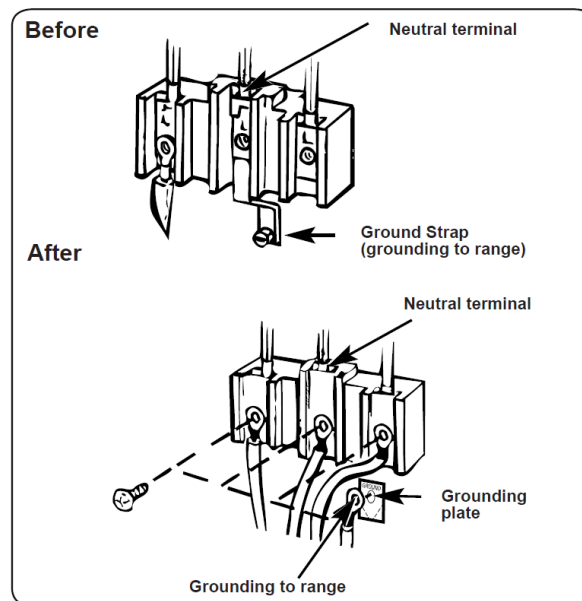


4-Wire Power Cord Installation



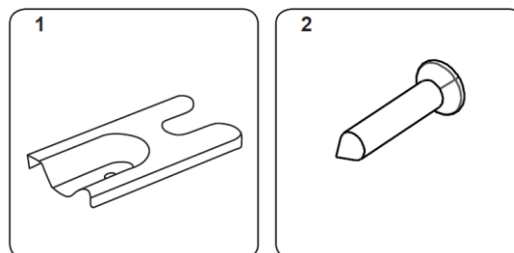
WARNING: The neutral wire of the supply circuit is connected to the neutral terminal located in the center of the connector block. The power leads must be connected to the outside (brass colored) terminals. The 4th grounding lead must be connected to the frame of the range with the grounding plate and grounding screw.

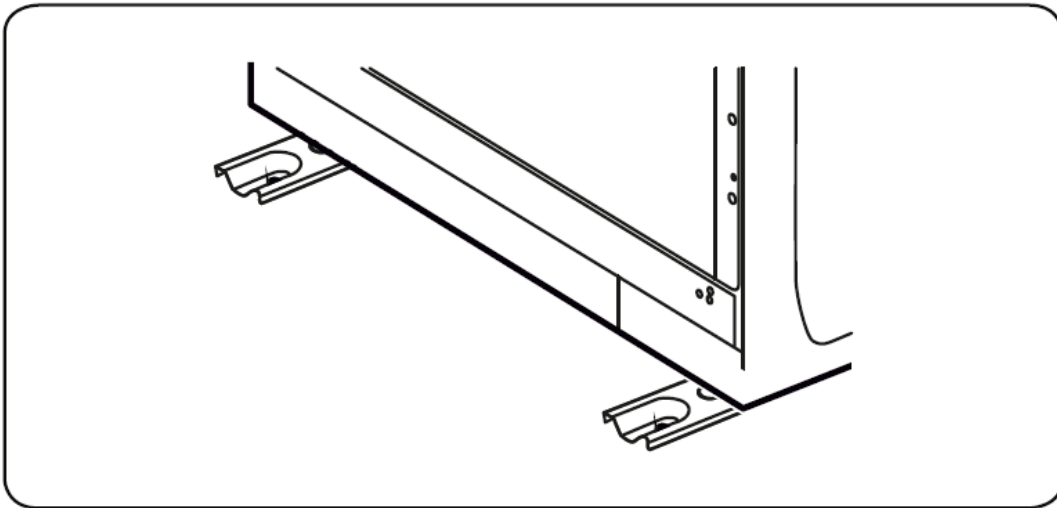
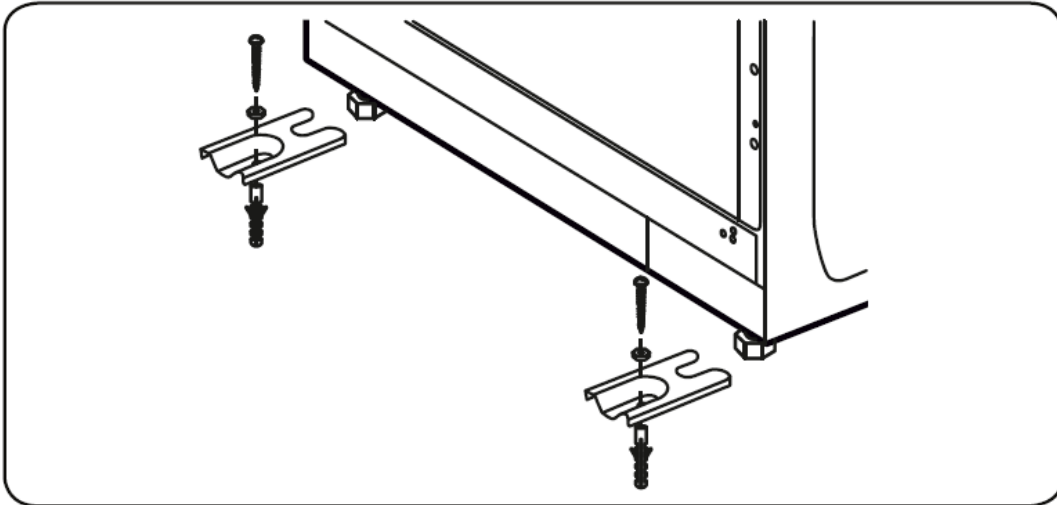
- a) Remove the 3 screws from the connector block.
- b) Remove the grounding screw and strap from the connector block middle location and the screw connection to the frame of the range.
- c) Insert screws through each power cord terminal ring and into connector block until screw engages nut. Be certain that the center wire is connected to the center screw of the connector block. Tighten screws securely.
- d) Attach ground wire to the frame of the range.



Anti-Tilting Kit

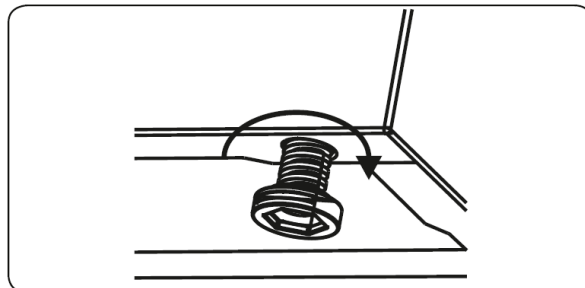
- The document bag contains an anti-tilting kit. Loosely attach the anti-tilting bracket (1) to the ground using the screw (2) and wall plug (3) as shown in the figure below. Push the appliance towards the bracket making sure that the anti-tilting bracket is inserted into the foot on the appliance.





Adjusting The Feet

- Your product stands on four adjustable feet. For safe operation, it is important that your appliance is correctly balanced. Make sure the appliance is level prior to cooking. To increase the height of the appliance, turn the feet anti-clockwise. To decrease the height of the appliance, turn the feet clockwise.
- It is possible to raise the height of the appliance up to 30 mm by adjusting the feet. The appliance is heavy and we recommend that a minimum of 2 people lift it. Never drag the appliance.



Dimensions and Clearances

- Check the dimensions of the appliance and the installation path to ensure there is sufficient room to move the appliance through doors or narrow openings.
- The installation location chosen for the appliance should allow space behind the unit for connections and airflow as well as space in front to open the doors.
- Too small of a distance from adjacent items may result in reduced cooling and freezing capability and increased power consumption. Allow at least 29 1/8" inches (740 mm) in front of the appliance to open the doors, and at least 2 inches (50 mm) between the back of the appliance and the wall.

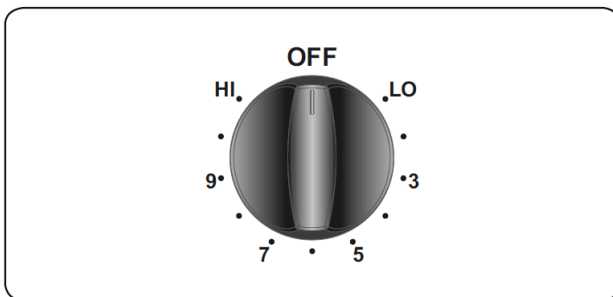
Levelling

- The appliance has two front leveling legs. Adjust the legs to alter the tilt from front-to-back or side-to-side. If the appliance seems unsteady, or the doors do not close easily, adjust the appliance's tilt using the instructions below:
 1. Turn the leveling leg counterclockwise to raise that side of the appliance or clockwise to lower it. It may take several turns of the leveling leg to adjust the height of the appliance.
 2. Open the door and check to make sure that it closes easily. If the door does not close easily, tilt the appliance slightly more to the rear by turning both leveling legs counterclockwise. It may take several more turns.

OPERATION

Cooktop Controls

1. The ceramic cooktop elements are controlled by a 6-position knob. The ceramic heater is operated by turning the control knob to the required setting. Near each control knob is a symbol which indicates the heater that is controlled by that knob. The on/off light on the control panel will show if any of the ceramic heaters are in use.



Knob Position	Function
0	Off position
LO	Keep warm position
3-5	Heating position at low heat
7-9 HI	Cooking, roasting and boiling position

Important: The knob rotation direction may differ between product variants.

Residual Heat Indicator (if available)

2. After using the cooktop, residual heat will be stored in the vitro ceramic glass. If the residual heat level is greater than +140°F, the residual heat indicator will be active for the cooking zone which is above this temperature.