



A VERSATILE BUILT IN VENT HOOD

The updated Inca HC insert now with VAM technology is perfect for the homeowner who needs a powerful vent hood, but does not want to see a range hood at all. This exceptionally finished power pack installs effortlessly into your custom cabinet or hood. Now with updated advanced controls and LED lighting.

AVAILABLE MODELS

Model #	FUN #	Size / Color	Motor Class (CFM)
INHC29SSV	305.0556.070	29" Stainless Steel	295/395/600 CFM
INHC35SSV	305.0565.209	35" Stainless Steel	295/395/600 CFM



THE INCA HC HAS A **STYLISH** STAINLESS STEEL FINISH AND STAINLESS STEEL FILTERS, **POWERFUL** TO CLEAR ANY ODORS FROM THE COOKING AREA BELOW. FOR ADDED **VERSATILITY**, ADD A CHARCOAL FILTER FOR RECIRCULATING MODE.



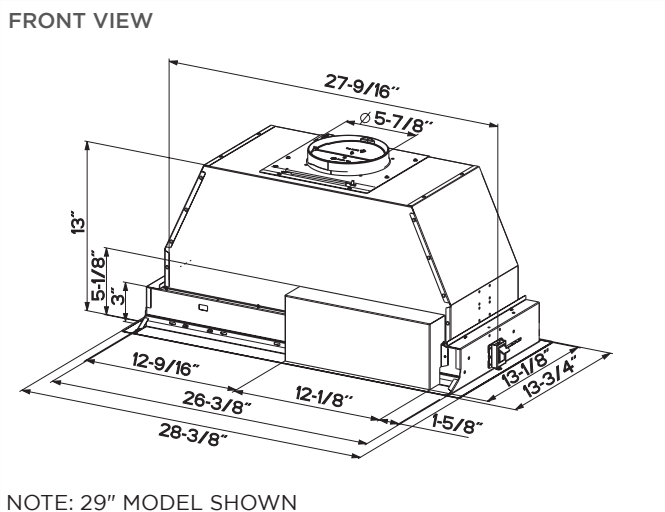
INCA HC

MODEL	FUN #	SIZE/MATERIAL	MOTOR CLASS
INH29SSV	305.0556.070	29" Stainless Steel	295/395/600 CFM
INH35SSV	305.0565.209	35" Stainless Steel	295/395/600 CFM



FEATURES		PERFORMANCE		ACCESSORIES
Dimensions		Motor		LINE30ST
Cabinet Cut Out 29"	27 9/16" W x 13 3/16" D	No. of Fan Speeds	4	30" SS Liner (16 - 17 7/8" D) - Use with INHC29
Cabinet Cut Out 35"	33 9/16" W x 13 3/16" D	Motor Class	295/395/600	LINE36ST
Height Inside Cabinet	12 15/16"	Variable Air Management	Ability to set to 295, 395, 600 CFM	36" SS Liner (16 - 17 7/8" D) - Use with INHC29
Ducting		Energy-Efficient Motor	Yes	LINE36PT
Type	Ducted/ Recirculating with FILTER1/FILTER1LL2	Display		36" SS Liner (16 - 17 7/8" D) - Use with INHC35
Duct Size	Vari-Duct - 6" Round Top or Rear Vent	Controls	Electronic W/ White LED	FILTER1
Lighting		Intensive Speed	10 Minutes	Charcoal Filter Kit
Type	Energy-Efficient LED	Delay Shut-off	15 Minute	FILTER1LL2
# of Bulbs	Two - 5 Watt - 1 level	Other		Long Lasting Charcoal Filter Kit
Grease Filters		ADA Compliant	With Remote Control	REMORIG
Filter Type	Stainless Steel Mesh	Remote Control	Purchase Separately	Wireless Remote Control
Dishwasher Safe	Yes	Power Cord	Included	WIREBOX
Easy Snap Clip Installation				Fixed Wiring Box
	Clips Included			MUDAMPER6
				6" Make-up Air Kit
				MUDAMPER8
				8" Make-up Air Kit

DIMENSIONAL DRAWINGS



Rev3 1122

800 Aviation Parkway, Smyrna, TN 37167 (508) 358-5353 | www.faberonline.com