



Portable Air Conditioner - User Manual

Models:

IPAC05-D2, IPAC07-D2

www.impecca.com

Need Help?

Please call us, we're here to assist you!

Impecca Customer Service

1-866-954-4440

WARNING:

To avoid permanent damage to unit:

Ensure it is in the upright position for a MINIMUM of 6 hours and a RECOMMENDED time of 24 hours before powering on the first time.

ADVERTENCIA:

Para evitar daños permanentes a la unidad:

Asegúrese de que está en la posición vertical durante un mínimo de 6 horas y un tiempo recomendado de 24 horas antes de encender la primera vez.

Spanish and French versions of this manual are available for download from www.impecca.com

NOTE: All drawings in this manual are for illustrative purposes only. The actual shape and functions of your unit and remote controller may vary slightly.

Read the following notices and information carefully to ensure proper operation of your air conditioner unit.

This manual is solely provided for informational purposes and in no way constitutes a legally binding document between the manufacturer, distributor, and end consumer.

Lea las siguientes indicaciones cuidadosamente para asegurar el correcto funcionamiento de su unidad de aire acondicionado.

Este manual se proporciona únicamente con fines informativos y de ninguna manera constituye un documento jurídicamente vinculante entre el fabricante, distribuidor y consumidor final.

TABLE OF CONTENTS

Introduction	6
Operating Conditions	6
Getting To Know Your Air Conditioner.....	7
What's In the Box	8
Installation Accessory Kit Items.....	8
Installation Instructions	9
Water Drainage	10
Window Slider Kit Installation	10
Operating Instructions	12
Control Panel and Remote Controller Displays	14
Functions in Detail	15
Additional Unit Features	17
Handling the Remote Controller	17
Basic Unit Error Codes.....	18
Electrical Information.....	18
Care & Maintenance.....	19
Troubleshooting Tips	20
Customer Support.....	21
One-Year Limited Appliance Warranty (US).....	22

READ THESE NOTICES CAREFULLY—THEY ARE IMPORTANT!


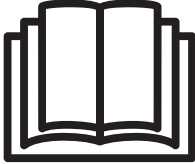
⚠ WARNING

<p>ⓘ Plug in power plug completely.</p> <p>• Otherwise, it may cause electric shock or fire due to potential short circuit.</p>	<p>⊘ Do not start or stop the unit by inserting or pulling out the power plug.</p> <p>• It may cause electric shock or fire.</p>	<p>⊘ Do not damage power cord or replace with a non-original power cord.</p> <p>• It may cause electric shock or fire. • If the power cord is damaged, it must be replaced by the manufacturer or an authorized service center or a similarly qualified person to avoid hazard.</p>
<p>⊘ Do not modify power cord length.</p> <p>• It may cause electric shock or fire.</p>	<p>⊘ Do not operate with wet hands or in a damp environment.</p> <p>• It may cause electric shock.</p>	<p>⊘ Do not direct airflow directly at room occupants.</p> <p>• This could be harmful to their health.</p>
<p>ⓘ Always ensure effective grounding/earthing.</p> <p>• Incorrect or missing grounding may lead to electric shock.</p>	<p>⊘ Do not allow water into or onto the front of cabinet, control panel or power cord.</p> <p>• It may cause failure of unit or electric shock.</p>	<p>ⓘ Always use dedicated power outlet and circuit breaker.</p> <p>• Sharing a circuit can lead to fire.</p>
<p>ⓘ Unplug the unit if it emits strange sounds, smells or smoke.</p> <p>• Unit may need repair.</p>	<p>⊘ Do not plug unit into an electrical socket that is loose or damaged.</p> <p>• It may cause fire and electric shock.</p>	<p>⊘ Do not operate the unit while the chassis is open or removed.</p> <p>• It may cause electric shock.</p>
<p>ⓘ Ensure the power cord is kept away from any heating sources.</p> <p>• It may cause fire and electric shock.</p>	<p>⊘ Do not disassemble or modify unit.</p> <p>• It may cause failure and electric shock.</p>	<p>⊘ Do not use the power cord near flammable gas or combustibles, such as gasoline, benzene, paint thinner, etc.</p> <p>• It may cause an explosion or fire.</p>
<p>ⓘ Ventilate room before operating air conditioner if there was a gas leakage.</p> <p>• It may cause explosion, fire, and burns.</p>		

⚠ CAUTION

<p>ⓘ When the air filter is removed for cleaning, avoid touching the internal metal parts of the unit.</p> <p>• It may cause a personal injury and/or damage to the unit.</p>	<p>⊘ Do not clean the air conditioner with water.</p> <p>• Water may enter the unit and degrade the insulation. It may cause an electric shock.</p>	<p>ⓘ Ventilate the room well when used together with a stove, etc.</p> <p>• An oxygen shortage may occur when using a stove in a room with closed windows.</p>
<p>ⓘ When the unit needs to be cleaned, power it off and unplug it.</p> <p>• Do not clean unit when power is on as it may cause fire and electric shock and/or personal injury.</p>	<p>⊘ Do not put a pet or house plant where it will be exposed to direct air flow.</p> <p>• This could injure or be harmful to your pet or plants.</p>	<p>⊘ Do not use for specialized purposes.</p> <p>• Do not use this air conditioner to preserve precision devices, food, pets, plants, and art objects. • It may cause deterioration, etc.</p>

CAUTION

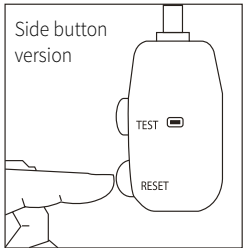
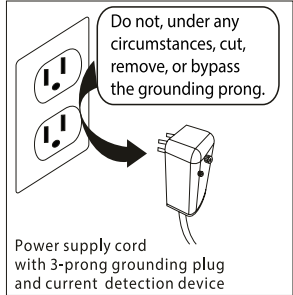
<p>⚠ Stop operation and remove window filler panels from window during severe storm or hurricane.</p>	<p>⚠ Hold the plug by the head of the power plug when unplugging unit.</p>	<p>⚠ Unplug the power cord when not using the unit for extended periods of time.</p>
<ul style="list-style-type: none"> • Operation during a severe storm may allow a significant amount of water to enter the indoors. 	<ul style="list-style-type: none"> • Pulling from the wire can cause wire to fray leading to electric shock or fire. 	<ul style="list-style-type: none"> • Will prevent damage to the unit.
<p>⊘ Do not place obstacles around air-intake vents or inside cool air outlet.</p>	<p>⊘ Do not place heavy objects on the power cord and ensure that the cord is not pinched or stressed.</p>	<p>⚠ Always insert the filters securely. Clean filter at least once per month.</p>
<ul style="list-style-type: none"> • It may cause failure of appliance. 	<ul style="list-style-type: none"> • There is danger of fire or electric shock. 	<ul style="list-style-type: none"> • Operation with dirty filters (or without filters) will effect performance and may cause damage to the unit.
<p>⊘ Do not use strong detergent such as wax or paint thinner to clean the unit. Use a damp, soft cloth.</p>	<div style="display: flex; justify-content: space-around; align-items: center;">   </div>	
<ul style="list-style-type: none"> • Appearance may deteriorate due to change of product color or scratching of its surface. 		

CAUTION ELECTRICAL INFORMATION

- Be sure your electrical wiring is adequate for the model you have chosen. This information can be found on the rating label, a silver-colored sticker generally located on the upper-right side of the cabinet.
- Be sure the air conditioner is properly grounded. To minimize shock and fire hazards, proper grounding is important. The power cord is equipped with a three-prong grounding plug for protection against shock hazards.
- Your air conditioner must be connected to a properly grounded wall receptacle. If the wall receptacle you intend to use is not adequately grounded or protected by a time delay fuse or circuit breaker, have a qualified electrician install the proper receptacle.
- Ensure the receptacle is accessible after the unit installation. The power supply cord contains a current device that senses damage to the power cord and excess current draw from the unit. To test your current device do the following:
 1. Plug in the Air Conditioner.
 2. Press the TEST button. You will hear a click as the RESET button pops out within the rubber housing and the LED will turn off.
 3. Press the RESET button. You will hear a click as the button engages and the LED will illuminate.
 4. The power supply cord is now supplying electricity to the unit.

Note: Your model may have the TEST and RESET buttons on the side or the front of the plug head.

NOTE: The power supply cord with this air conditioner contains a current detection device designed to reduce the risk of fire. In the event that the power supply cord is damaged, it cannot be repaired -- it must be replaced with a cord from the Product Manufacturer.



- NOTES:
- Do not use the TEST and RESET buttons to turn the unit on or off.
 - If the current device fails the test or the power cord becomes damaged, the entire power cord must be replaced with an equivalent power cord and current device by a licensed electrician.

INTRODUCTION

Thank you for purchasing this quality Impecca portable air conditioner unit. To ensure the longest life and highest energy efficiency of your unit, please carefully follow these operating instructions. Keep these instructions in a safe place and consult them as needed. Please note that constant enhancement and improvements to our air conditioning units may mean that your model will slightly differ in appearance from the model pictured in this manual, but the actual operation and installation of the unit remains unchanged. This manual is solely provided for informational purposes and does not constitute a binding, legal contract.

SAFETY NOTICE

This appliance should not be used by children or mentally/physically disabled persons without strict, direct supervision by a responsible adult. Never play with or around the appliance.

SAFETY INFORMATION

- Before operation, ensure your electrical installation (outlets and circuits) complies with the power specifications found on the unit.
- Before cleaning or maintaining the air conditioner, please turn off air conditioner and unplug the unit.
- Make sure the power cord isn't kinked, bent, or under the weight of sharp or heavy objects.
- Do not pull or yank the power cord to unplug the unit or move the air conditioner.
- Do not insert or unplug the power plug with wet hands.
- Only use a grounded power outlet. Make sure the grounding is functional.
- If the power cord is damaged, it must be replaced by the manufacturer or a qualified technician in order to avoid fire and electrical hazards.
- Should abnormal operation occur (such as a burning smell), please disconnect power cord immediately and contact your local dealer.
- If nobody is present to monitor the operation of the unit, please turn it off and disconnect the power cord.
- Do not splash or pour water on air conditioner to avoid causing a short circuit or damage to the unit.
- Do not put or hang dripping objects above the air conditioner.
- If using a drainage hose, ensure the ambient temperature remains well above freezing (32°F or 0°C) to avoid cracking or damaging the unit.
- Keep heat sources away from the air conditioner.
- Ensure the unit is far away from fire, inflammable, or explosive objects.
- Never allow children or persons with reduced physical, sensory, or mental capabilities to operate or play around the air conditioner without direct adult supervision.
- Never allow children to perform cleaning or other user-maintenance operations without direct adult supervision.
- Never attempt to repair or disassemble the air conditioner by yourself.
- Never insert objects into the air conditioner.

OPERATING CONDITIONS

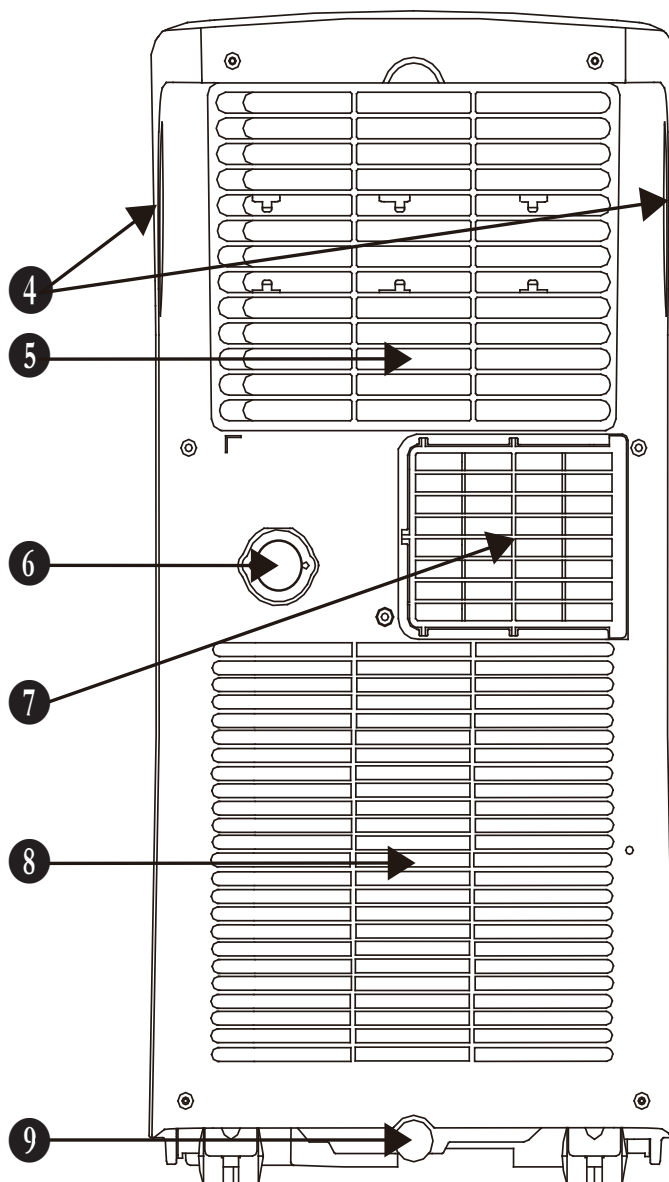
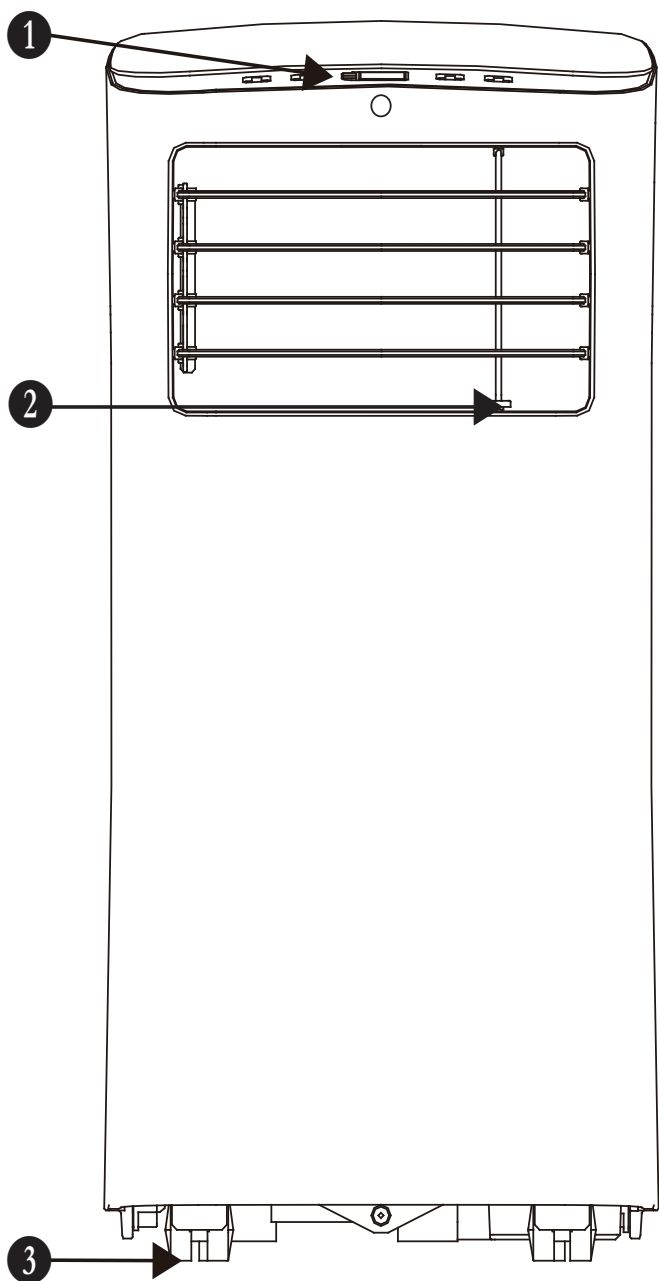
- The air conditioner should only be operated within the temperature range of 62°F to 95°F (16°C to 35°C).
- The appliance is for indoor use only.
- The appliance must be positioned so that the plug is accessible.
- A perimeter of 12"(30cm) around the air conditioner should be free of all objects.
- Do not operate the air conditioner in a humid environment.
- Please keep air inlet and air outlet clean and free of obstacles.
- During operation, close doors and windows to improve cooling effect.
- Please put the air conditioner on smooth and flat ground for operation to avoid noise and vibration.

- This air conditioner is equipped with casters that roll on smooth, flat surfaces.
- Do not tilt or turn over the air conditioner. If there's a problem, please disconnect the power supply immediately and contact your local dealer or technical support.
- Avoid exposing the unit to direct sunlight.

GETTING TO KNOW YOUR AIR CONDITIONER

FRONT VIEW

REAR VIEW



1. Control Panel
2. Vertical Louver Control Lever
3. Casters
4. Carrying Handle (both sides)
5. Upper Air Filter (behind intake grille)

6. Water Drain Outlet
7. Air Outlet (exhaust hose connection)
8. Lower Air Intake
9. Bottom Tray Water Drain Outlet

WHAT'S IN THE BOX

Please verify your box for the following items. Note that some models may not include all items.



1. Air Conditioning Unit
2. Remote controller (may differ from photo)
3. User's Guide
4. Installation kit (see details below)

INSTALLATION ACCESSORY KIT ITEMS

Illustrations may vary slightly from actual appearance of product.

Avoid damaging your new appliance! If required accessories are missing, please contact customer support.

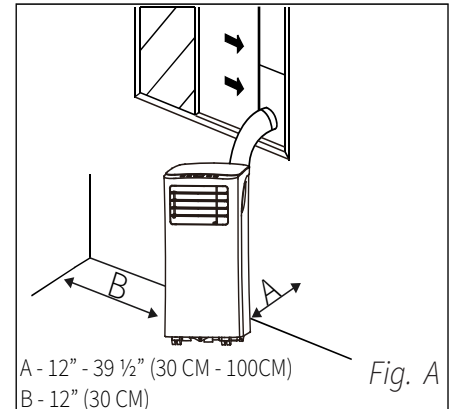
Diagram (not to scale)	Description	Quantity
	1) Connector 2) Exhaust hose 3) Adapter 4) Security peg 5) Window filler panel kit	1 set
	Foam Seals (2 adhesive, 1 non-adhesive)	3 pieces
	Remote Controller and batteries	1 set
	Drain hose (23.6")	1 piece
	Security Bracket and 2 Screws	1 set

INSTALLATION INSTRUCTIONS

Carefully review all of these instructions BEFORE proceeding to install and operate your air conditioner unit. Failure to do so may cause damage, injury, or bodily harm including permanent disability and/or death.

LOCATION

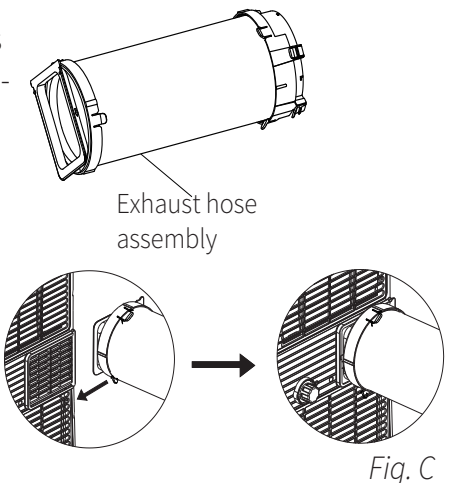
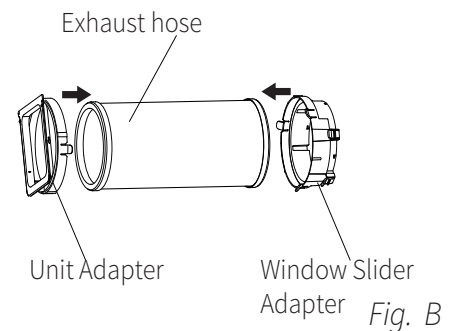
- The air conditioner should be placed on a firm, level surface to minimize noise and vibration. For safe and secure positioning, place the unit on a smooth, level floor strong enough to support the unit.
- The unit has casters to aid in maneuverability, but it should only be rolled on smooth, flat surfaces. Use caution when rolling on carpeted surfaces. Do not attempt to roll the unit over objects.
- The unit must be placed within reach of a properly rated grounded socket.
- Never place any obstacles around the air inlet or outlet of the unit.
- Allow 1 to 3 feet (30cm to 100cm) of space from the wall for efficient air-conditioning and to prevent overheating.



EXHAUST HOSE INSTALLATION

NOTE: For your unit to function properly, it is imperative that the exhaust hose be vented to the outside when used in Auto, Cooling and dehumidify modes.

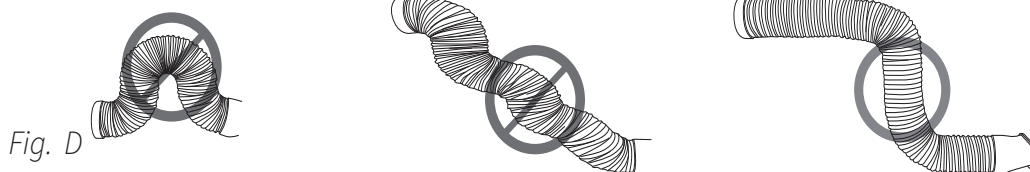
1. Attach the adapters to the exhaust hose by snapping them in place as shown in Figure B.
2. Insert the connector of the now-assembled exhaust hose into the hole seat of the air outlet and slide the exhaust hose down along the arrow's direction as shown in Figure C. Pay attention to the tabs so that the connector clicks into place.



The exhaust hose can be compressed or extended moderately according to installation requirements, but it is preferable to shorten the hose to desired length.

IMPORTANT: DO NOT OVER-BEND OR KINK THE EXHAUST HOSE.
(Figure D)

EXHAUST PORT



Make sure that there are no obstacles within 18" (50cm) around the exhaust outlet in order for the exhaust system to work properly.

WATER DRAINAGE

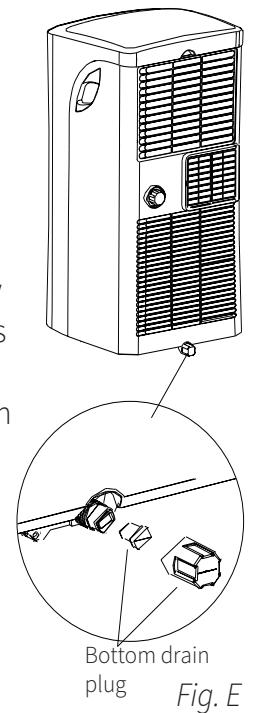
Certain functions of your air conditioning unit create condensation and the unit may need to evacuate accumulated water. Please carefully follow these instructions according to your operating and usage conditions.

COOLING MODE

During cooling mode, the unit attempts to evacuate all of the moisture through the exhaust hose to the outside along with the warm air exhaust. At times, when the humidity level is very high, excess water may collect in the bottom tray. If the water level of the bottom tray reaches a predetermined level, the unit beeps 8 times, the digital display area shows error **P!**. At this time the air conditioning/dehumidification process will immediately stop, even though the fan motor may continue running (this is normal).

Carefully move the unit to a drain location, remove the bottom drain plug and let the water drain away (see Figure E). Reinstall the bottom drain plug and restart the machine until the **P!** symbol disappears. If the error repeats, call for service.

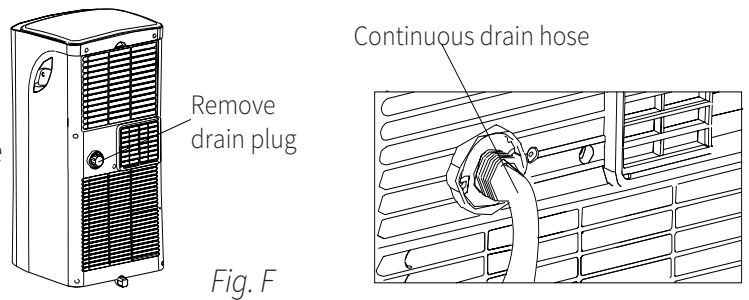
NOTE: Be sure to reinstall the bottom drain plug before using the unit.



DEHUMIDIFYING MODE ONLY

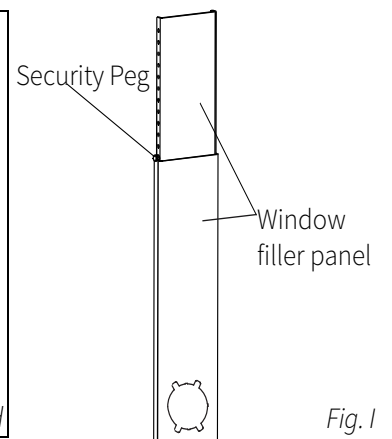
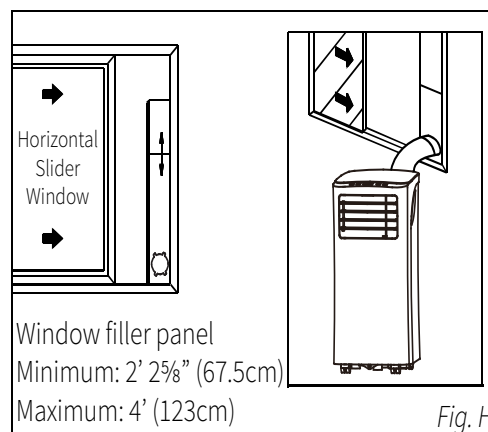
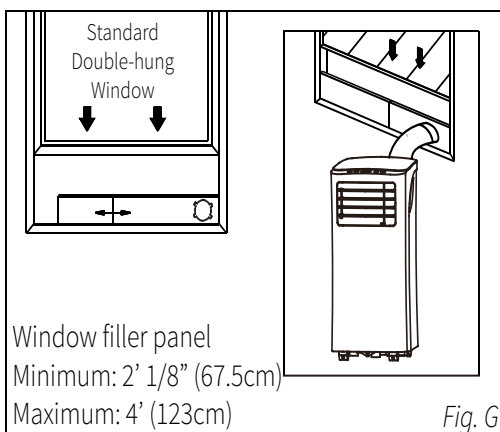
Remove the upper drain plug from the back of the unit and simply attach the drain hose to the hole. Place the open end of the hose adapter directly over the drain area in your floor or into another receptacle (see Figure F).

NOTE: Make sure the hose is secure so there are no leaks. Direct the hose toward a drain that is located lower than the unit, making sure that there are no kinks that will stop water flow. Place the end of the hose into the drain and make sure the end of the hose is down to let the water flow smoothly (see Figure F). Do not lift up the hose as this may cause water to flow back into the unit.



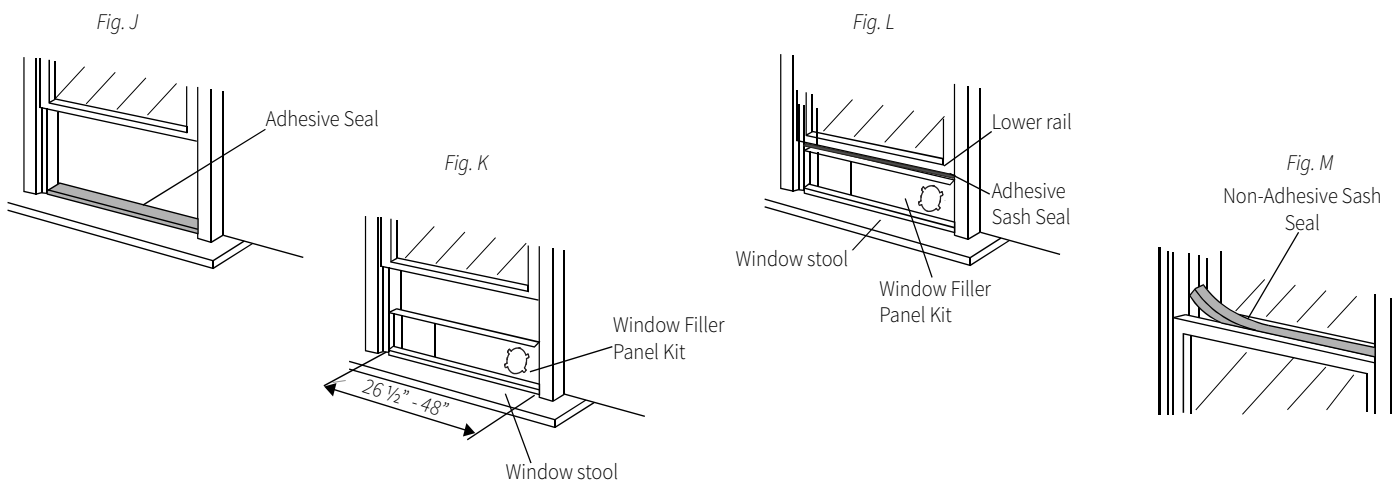
WINDOW SLIDER KIT INSTALLATION

Your window slider kit has been designed to fit most standard double-hung and slider windows. However, it may be necessary for you to improvise/modify some aspects of the installation procedures for certain types of windows. Please refer to Figure G & Figure H for minimum and maximum window openings. The window slider kit can be fixed with an included security peg (see Figure I).



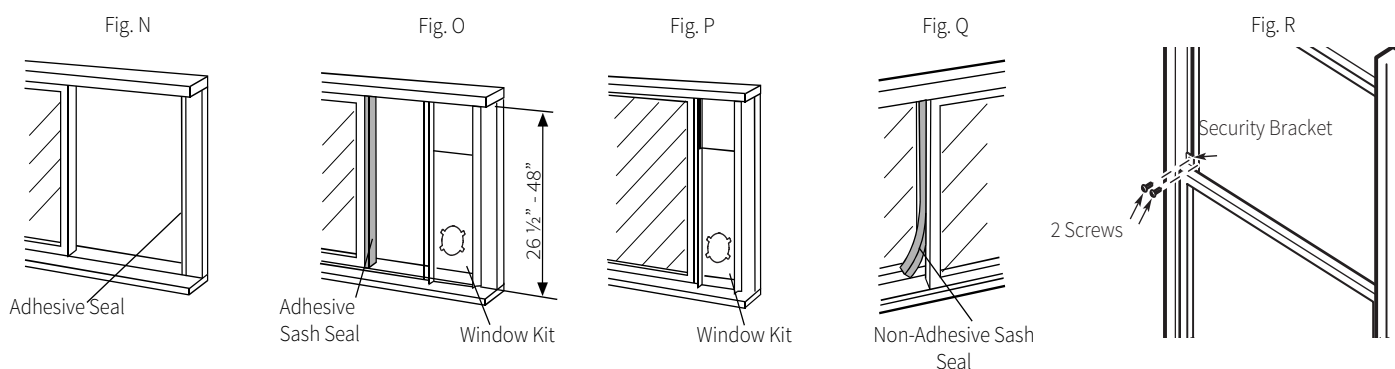
INSTALLATION IN A DOUBLE-HUNG SASH WINDOW:

1. Cut one adhesive foam seal to the proper length and attach it to the window stool. (Figure J)
2. Attach the window filler panel kit to the window stool. Adjust the length of the window slider kit according to the width of window, shorten the adjustable window kit if the width of window is less than 26 ½ inches. Open the window sash and place the window slider kit on the window stool. (Figure K)
3. Cut the other adhesive foam seal to the proper length and attach it to the bottom of the lower rail of the window. (Figure L)
4. Close the window sash securely against the window filler panel kit.
5. Cut the non-adhesive foam seal to an appropriate length and seal the open gap between the upper and lower windows. (Figure M)
6. If desired, install the security bracket with the two screws as shown in Figure R at the bottom of this page.



INSTALLATION IN A HORIZONTAL SLIDER WINDOW:

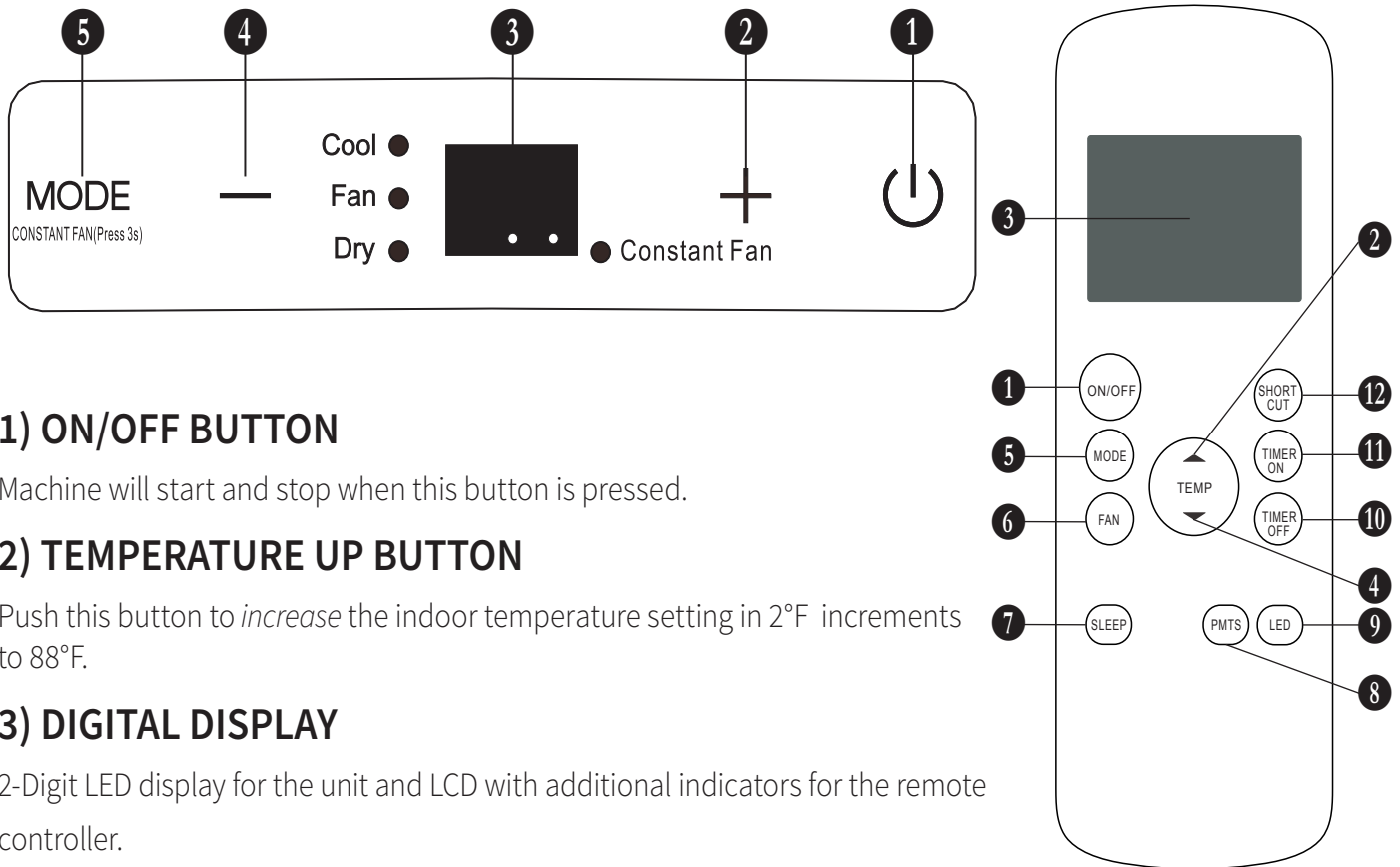
1. Cut one adhesive foam seal to the proper length and attach it to the window frame. (Figure N)
2. Attach the window filler panel kit to the window stool. Adjust the length of the window slider kit according to the height of window opening, shorten the adjustable window kit if the height of window is less than 26 ½ inches. Open the window sash and place the window slider kit on the window stool. (Figure O)
3. Cut the other adhesive foam seal to the proper length and attach it on the part of the window sash that will come into contact with the filler panel kit. (Figure O)
4. Close the sliding sash securely against the filler panel kit. (Figure P)
5. Cut the foam seal to an appropriate length and seal the open gap between the top window sash and outer window sash. (Figure Q)
6. If desired, install the security bracket with the two screws as shown in Figure R.



OPERATING INSTRUCTIONS

CONTROL PANEL AND REMOTE CONTROLLER OVERVIEW

The following diagram and legend shows the functions of both the unit's control panel and the remote controller. Some functions are only available on select models.



1) ON/OFF BUTTON

Machine will start and stop when this button is pressed.

2) TEMPERATURE UP BUTTON

Push this button to *increase* the indoor temperature setting in 2°F increments to 88°F.

3) DIGITAL DISPLAY

2-Digit LED display for the unit and LCD with additional indicators for the remote controller.

4) TEMPERATURE DOWN BUTTON

Push this button to *decrease* the indoor temperature setting in 2°F increments to 62°F.

5) MODE BUTTON

Each time the button is pressed, the operating mode of the air conditioning unit is selected in the following sequence: AUTO > COOL > DRY > HEAT* > FAN

In cooling or Dry mode, press the button for 3 seconds to turn on or off the constant fan function. When the function is turned on, the constant fan light will illuminate, identifying the fan continuous run for cooling. When the function is turned off, the constant fan light will go out, identifying the fan cycle run with compressor stop.

REMOTE ONLY BUTTONS

6) FAN SPEED BUTTON

Adjust the machine fan speed from: AUTO > LOW > MED > HIGH

7) SLEEP (ECONOMY MODE) BUTTON

Select this function just before going to sleep. It maintains a comfortable temperature through the night and save energy. This function is available during COOL, and AUTO modes only.

8) PMTS (FOLLOW ME) TEMPERATURE BUTTON

PMTS means Personal Mapping Temperature Sensor. This feature uses the remote controller to monitor tem

perature in another location of the room and sends information to the unit every 3 minutes.

9) LED DISPLAY BUTTON**

Turns the temperature display on the unit on and off.

10) TIMER OFF BUTTON

Press this button to activate Auto-Off. This feature turns off the unit at a programmed time within the next 24 hours.

Each press of the Timer-Off button will increase the time setting in 30-minute increments, up to 10 hours, then in 1 hour increments from 10 to 24 hours. To cancel the Auto-Off time setting, just press the button until the time setting is 0.

11) TIMER ON BUTTON

Press this button to activate Auto-On. This feature turns on the unit at a programmed time within the next 24 hours.

Each press of the Timer-On button will increase the time setting in 30-minute increments, up to 10 hours, then in 1 hour increments from 10 to 24 hours. To cancel the Auto-On time setting, just press the button until the time setting is 0.

12) SHORTCUT BUTTON

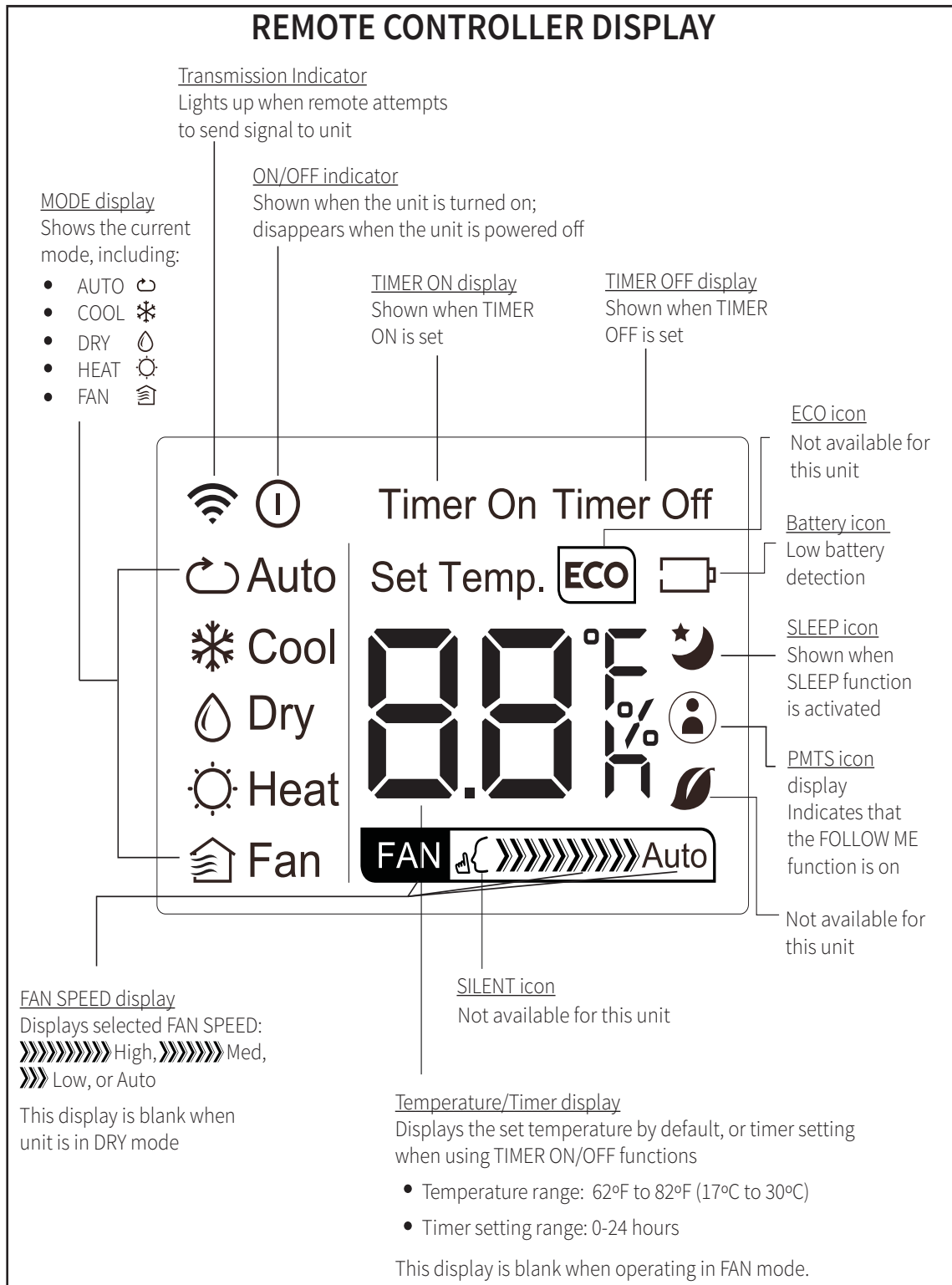
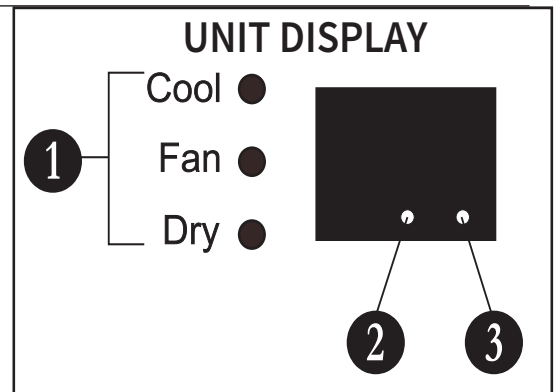
This button is one-touch preset for your favorite settings.

**Since your unit does not have the heat feature, you should bypass it on the remote controller.*

****NOT AVAILABLE ON ALL UNITS**

CONTROL PANEL AND REMOTE CONTROLLER DISPLAYS

1. Current operating mode COOL, FAN, DRY. When operating in AUTO mode, none of the three indicators will be lit.
2. Power indicator light.
3. Timer indicator light - showing that a timer program was set from the remote controller.



FUNCTIONS IN DETAIL

Instructions are for both the remote controller and the unit control panel itself. When using the remote controller, it is possible and even recommended to select the operating mode before you press **ON/OFF** to start the unit. On the unit's control panel this is not possible and you must begin with the unit on.

AUTO MODE OPERATION:

Ensure the unit is plugged in and power is available. The indicator on the display panel of the indoor unit will illuminate.

1. Press the **MODE** button to select AUTO.
2. Press the **TEMP UP** or **TEMP DOWN** buttons to set the desired temperature. The temperature can be set within a range of 62° to 88°F in 2° increments.

NOTES:

- In AUTO mode, the air conditioner will switch between cooling, fan, and dehumidifying modes by sensing the difference between the actual ambient room temperature and the set temperature on the remote controller.
- In AUTO mode, you cannot switch the fan speed. It is automatically controlled for maximum efficiency.

COOL MODE OPERATION:

Ensure the unit is plugged in and power is available.

1. Press the **MODE** button to select COOL mode.
2. Press the **TEMP UP** or **TEMP DOWN** buttons to set the desired temperature. The temperature can be set within a range of 62° to 88°F in 2° increments.
3. Press the **FAN SPEED** button to choose an appropriate fan speed: LOW, MED, HIGH, or AUTO.

Note:

- When in AUTO fan mode the remote controller LCD will not show any indicator for the fan speed.

FAN MODE OPERATION:

1. Press the **MODE** button to select FAN mode.
2. Press the **FAN SPEED** button to choose an appropriate fan speed: LOW, MED, HIGH, or AUTO.

Notes:

- FAN mode simply circulates air and does not influence the room's ambient temperature. You cannot adjust the temperature in FAN mode.
- There is no need to connect the exhaust hose to a window in fan mode.

DEHUMIDIFIER MODE OPERATION:

Ensure the unit is plugged in and power is available.

1. Press the **MODE** button to select DRY mode.
2. Press the **TEMP UP** or **TEMP DOWN** buttons to set the desired temperature. The temperature can be set within a range of 62° to 88°F in 2° increments.

NOTE: DRY mode controls fan speed automatically for effective dehumidification. This cannot be adjusted

DELAY START/STOP (TIMER) INSTRUCTIONS:

The timer buttons enable two separate functions: one to automatically start the unit within a 24 hour period of time and another to automatically turn off the unit within a 24 hour period of time. These functions are called, respectively, AUTO ON and AUTO OFF.

Note that the instructions below make reference to the **TIMER ON** and **TIMER OFF** buttons which are found on the remote controller.

AUTO ON INSTRUCTIONS:

1. Press the **TIMER ON** button. The remote controller shows **TIMER ON**, the last Auto-on setting time and the indicator "h" (indicating "hours") will be shown on the remote controller LCD. Now you are ready to reset the Auto-on time to START the operation.
2. Push the **TIMER ON** button again to set desired Auto On time. Each time you press the **TIMER ON** button, the time will increase in 30 minutes increments, up to 10 hours, then in 1 hour increments up to 24 hours.
3. After setting the **TIMER ON**, there will be a one-half second delay before the remote controller transmits the signal to the air conditioner. Then, after approximately another 2 seconds, the signal "h" will disappear and the set temperature will re-appear on the LCD display window.

AUTO OFF INSTRUCTIONS:

1. Press the **TIMER OFF** button. The remote controller shows **TIMER OFF**, the last Auto-off setting time and the signal "h" will be shown on the LCD display area. Now it is ready to reset the Auto-off time to START the operation.

2. Push the **TIMER OFF** button again to set desired Auto-off time. Each time you press the button, the time increases in 30 minutes increments, up to 10 hours, then at 1 hour increments up to 24 hours.
3. After setting the **TIMER OFF**, there will be a one-half second delay before the remote controller transmits the signal to the air conditioner. Then, after approximately another 2 seconds, the signal “h” will disappear and the set temperature will re-appear on the LCD window.

EXAMPLES OF TIMERS:

AUTO ON: If you'd like your home or office to be cool after returning from an event or running errands, schedule the machine to turn on and cool the room for your arrival.

To set the machine to start in 6 hours, push the **TIMER ON** button. The display will read “h”; push the **TIMER ON** button until the display reads “6.0”. Wait 3 seconds and the program will be activated once the LED resumes displaying the room temperature.

AUTO OFF: Your children rarely turn the air conditioning off during the day and you leave for work before they leave for school. Consider scheduling the unit to turn off automatically.

To set the machine to turn off in 1 hour, push the **TIMER OFF** button. The display will read “h”; push the **TIMER OFF** button until the display reads “1.0”. Wait 3 seconds and the program will be activated once the LED resumes displaying the room temperature.

COMBINED TIMERS: You can use the Auto On and Auto Off functions simultaneously. An example of this feature is to turn off the unit in 1 hour when the kids leave for school and turn it on in 6 hours just before you return from work.
(See above.)

SLEEP (Economy) operation

- Press this button, the selected temperature will increase by 2°F /1°C after 30 minutes. The temperature will then increase by another 2°F /1°C after an additional 30 minutes.
- The new temperature will be maintained for seven hours before it returns to the originally selected temperature, at which point Sleep mode ends

and the unit will continue to operate as originally programmed.

- NOTE: This feature is unavailable under FAN or DRY modes.

PMTS (FOLLOW ME) Feature:

- NOTE: This feature can be activated from the remote controller ONLY. The remote controller acts as a remote thermostat allowing for the precise temperature control at its location.
- To activate the Follow Me/Temp Sensing feature, point the remote controller towards the unit and press the **PMTS**/Follow Me button. The remote displays the actual temperature at its location. The remote controller will send this signal to the air conditioner every three minutes interval until press the Follow Me/Temp Sensing button again.
- If the unit does not receive the PMTS signal during any seven-minute interval, the unit will beep to indicate the PMTS mode has ended.

SHORTCUT Feature:

- This button is one-touch preset for your favorite settings.
- The same button is used to store the current settings or recall previous settings.
- The first time the button is pressed, the unit will operate on AUTO mode, 78°F and AUTO fan speed
- Pushing it a second time should revert to all previous settings including operating mode, temperature, fan speed level and sleep feature (if activated)
- To store the current mode, temperature, fan speed level, etc. into memory, hold the button for at least 2 seconds.

ADDITIONAL UNIT FEATURES

Auto Restart

- If the unit shuts off unexpectedly due to a power outage, it will restart with the previous function setting automatically when the power resumes.
- If you need full timer functionality you can hook up a properly-rated heavy duty timer to the unit to control on and off cycles. If doing so, it is imperative to avoid circumventing the third prong ground wire and having a timer that is rated accordingly to prevent risk of fire or electric shock.

Self Protection

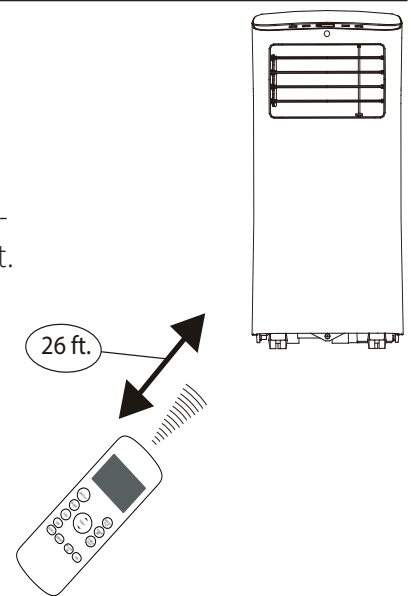
- After the unit has stopped, it cannot resume operation for 3 minutes following shut down. This is to protect the unit. Operation will automatically resume after 3 minutes has elapsed.

HANDLING THE REMOTE CONTROLLER

Use the remote controller within a distance of 26 feet (8 meters) from the appliance, pointing it towards the receiver. Reception is confirmed by a beep.

⚠ CAUTION

- The air conditioner will not receive signals from the remote controller if curtains, doors or other materials block the signals from the controller to the unit.
- Prevent any liquid from spilling onto or into the remote controller. Do not expose the remote controller to direct sunlight or heat.
- If the infrared signal receiver on the air conditioning unit is exposed to direct sunlight, the air conditioner may not function properly. Use curtains to prevent the sunlight from falling on the receiver.



REPLACING THE BATTERIES

The remote controller is powered by two AAA batteries housed in the rear part and protected by a cover.

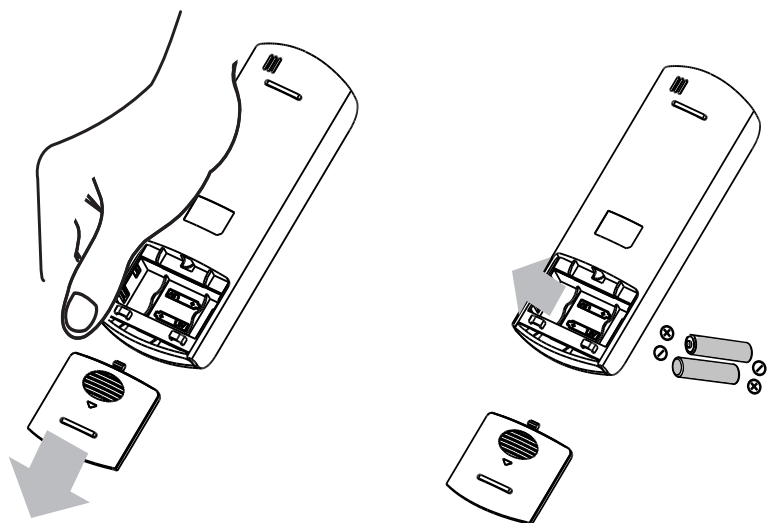
To replace the batteries:

Step 1: Remove the cover by pressing and sliding off.

Step 2: Remove the old batteries and insert 2 new AAA batteries, placing the (+) and (-) ends correctly.

Step 3: Reattach the cover by sliding it back into position.

NOTE: When the batteries are removed, the remote controller erases all programming. After inserting new batteries, the remote controller must be reprogrammed. If storing the unit for extended periods of time (such as the end of a season) remove the batteries from the remote controller to prevent corrosion.



⚠ CAUTION

ADDITIONAL REMOTE CONTROLLER INFORMATION

- Do not mix old and new batteries or batteries of a different type (e.g. alkaline and zinc).
- Do not leave the batteries in the remote controller if it is not going to be used for 2–3 months.
- Dispose of the old batteries in special battery disposal collection containers at sales sites or wherever local law states batteries may be disposed of.

REMOTE CONTROLLER SPECIFICATIONS

Rated Voltage	3.0V (Dry batteries AAA x2)
Signal Receiving Range	26 feet / 8m
Environment	~23° F to 140° F (-5°C to 60°C)

BASIC UNIT ERROR CODES

Use the following guidelines to understand and troubleshoot common error codes.

E 1: Room temperature sensor error.

E2: Evaporator temperature sensor error

E3: Condenser temperature sensor error

E4: Display panel communication error

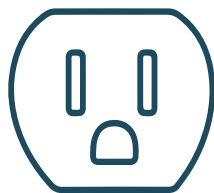
- For all of the above errors, unplug the unit and plug it back in.

P 1: Bottom condensation tray is full

- Connect the drain hose and drain the collected water away.
- Note that frequent draining may be required, especially in humid climates and during seasonal weather changes.
- If protection repeats after draining, call for service.

ELECTRICAL INFORMATION

- 115 Volts, 60Hz, 1Ph
- 10-12 Amps (depending on model)
- Power cord length: 8.69'
- EER: 8.9
- Plug Face: 5-15P



5-15P



IMPORTANT

- 1) Be sure to unplug the unit before cleaning or servicing.
- 2) Do not use gasoline, thinner or other chemicals to clean the unit.
- 3) Do not wash the unit directly under a tap or using a hose. It may cause electrical danger.
- 4) If the power cord is damaged, it should be repaired by manufacturer or its agency.

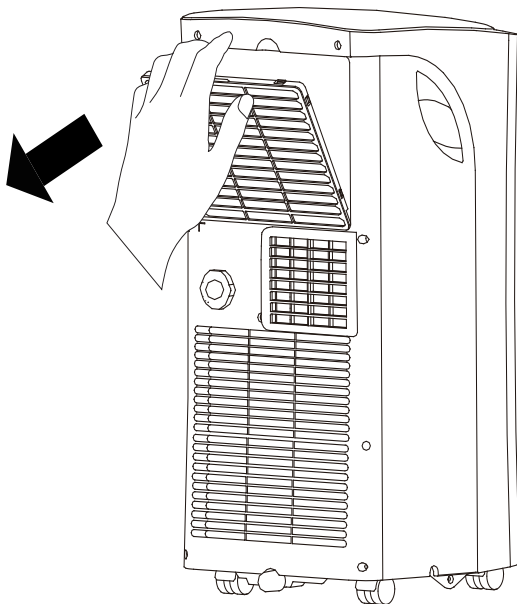
AIR FILTER CLEANING:

Clean the air filter at least once every two weeks to prevent inferior fan operation due to dust.

REMOVAL: Remove the filter as shown in the diagram.

CLEANING: Wash the air filter by immersing it gently in warm water (about 104°F/ 40°C) with a neutral detergent. Rinse the filter and dry it in a shady place.

MOUNTING: Reinstall the filter.



UNIT ENCLOSURE:

Use a lint-free cloth soaked with neutral detergent to clean the unit enclosure. Finish by wiping with a dry clean cloth.

BEFORE STORING OR NOT USING A UNIT FOR LONG PERIODS OF TIME:

Remove the rubber plug at the back of the unit and attach a hose to drain outlet. Place the open end of the hose directly over the drain area in your floor or receptacle. (See figure F on page 10.)

Remove the plug from the bottom drain outlet, all the water in the bottom tray will drain out. (See Figure E on page 10.)

Keep the appliance running on FAN mode for half a day in a warm room to dry the appliance inside and prevent mold from forming.

Turn off the appliance and unplug it, wrap the cord and bundle it with the tape. Clean the air filter and reinstall it (see above). Remove batteries from the remote controller.

TROUBLESHOOTING TIPS

Problem	Possible Causes	Remedies
Unit does not start when pressing on/off button	P l appears in the display window	Drain the water in the bottom tray
	Room temperature is lower than the set temperature (cool mode)	Reset the temperature
Room not cool enough	The windows or doors in the room are not closed	Make sure all the windows and doors are closed
	There are heat sources inside the room	Remove the heat sources if possible
	Exhaust air duct is not connected or blocked	Connect the duct and make sure it can function properly
	Temperature setting is too high	Decrease the set temperature
	Air filter is blocked by dust	Clean the air filter
Machine noisy or vibrates	The ground is not level or not flat enough	Place the unit on a flat, level surface if possible
Gurgling noises	The sound comes from the flowing of the refrigerant inside the air conditioner unit	This noise is normal
Power shuts off in heating mode	The automatic overheat protection function kicks in. When the temperature at the air outlet exceeds 158°F/70°C, the device will automatically shut off.	Switch on again after the unit has cooled off.

COSTUMER SUPPORT

Before contacting customer support, please see the troubleshooting guide above.

Upon unpacking your air conditioner, please be sure to write down the model and serial number of your unit. This will be needed should your unit require servicing in the future. The number is found on a barcode on the right side of the air conditioner and on a similar barcode on the outside of the box the unit came in.

We recommend holding onto the box, but as many people do throw it away, and the air conditioner itself gets installed in a window, it can be difficult to access this serial number later.

Model number: _____ (One of the numbers mentioned on the cover of this manual). Your exact number is found on your box or on the rating label sticker on the right side of the unit.

Serial number (11 digits) _____

Please keep this manual for your records!

Visit our website to contact us, find answers to Frequently Asked Questions, and for other resources which may include an updated version of this user's guide.

 WWW.IMPECCA.COM

If you wish to contact us by phone, please be sure to have your model number and serial number ready and call us between 9:00am and 5:00pm ET, at +1 866-954-4440.

Keep tabs on Impecca's newest innovations & enter contests via our social network feeds:

 www.facebook.com/Impecca/

 www.instagram.com/impecca/

 [@impeccausa](https://twitter.com/impeccausa)

ONE-YEAR LIMITED APPLIANCE WARRANTY (US)

Impecca™ warrants this product against defects in material and workmanship to the original purchaser as specified below.

PARTS AND LABOR- if the product is determined to have a manufacturing defect, within a period of one year from the date of the original purchase, Impecca™, at its own discretion, will repair or replace the product parts at no charge to you in the U.S.A.

To obtain warranty service by an authorized Impecca™ service center, please email us at: service@impecca.com to obtain a Repair and Maintenance Authorization (RMA) number and received instructions on how the repair and/or replacement procedure will take place.

Any glass materials included with the appliance will be covered for a period of 60 days from purchase.

Impecca™ specifically excludes from this warranty any non-electric/mechanical attachments, accessories and disposable parts including but not limited to outside case, connecting cables, batteries and AC adapters. Impecca™ reserves the right to repair or replace defective products with the same, equivalent or newer models.

We reserve the right to either repair or replace product at our discretion. Replacement may be either new or refurbished and while every endeavor will be made to ensure it is the same model, if not possible it will be equal or higher specification.

Normal "Wear and Tear" is not covered by this warranty. Further, Impecca™ hereby reserves the right to determine "Wear and Tear" on any and all products. Tampering or opening the product casing or shell will void this warranty in its entirety.

Exclusions: This warranty does not cover the following:

1. Any product that has a defaced or covered serial number.
2. Products that have been transferred to a second owner.
3. Rust on the interior or exterior of the unit.
4. Products listed as "As-Is" or "Refurbished."
5. Food loss due to any product failure.
6. Window air conditioners installed in a wall.
7. The product if used in a commercial setting.
8. Service calls that do not involve product malfunction.
9. Service calls for a product ruined by not following the provided instructions.
10. Service calls to correct improper installation.
11. Costs associated with making the product accessible for servicing (including but not limited to removal of

trim/molding/cabinetry, etc.)

12. Service calls to replace any consumables such as light bulbs, filters, etc.
13. Surcharges that may apply to service calls on weekends, nights, holidays. Damages to the finish of appliance or household furnishings due to installation of appliance.
14. Damages caused by any of the following: Acts of God; fires; misuse; accidents; incorrect power supply; service performed by unauthorized persons; use of non-genuine Impecca parts, etc.

ALL IMPLIED WARRANTIES, INCLUDING IMPLIED WARRANTIES OF MERCHANTABILITY AND FITNESS FOR A PARTICULAR PURPOSE ARE LIMITED IN DURATION TO 1 YEAR FROM THE DATE OF THE ORIGINAL RETAIL PURCHASE OF THIS PRODUCT.

THESE WARRANTIES AND REMEDIES ARE THE SOLE AND EXCLUSIVE WARRANTIES AND REMEDIES IN CONNECTION WITH THE SALE AND USE OF THE PRODUCT. NO OTHER WARRANTIES, ORAL OR WRITTEN, EXPRESSED OR IMPLIED, ARE GIVEN.

IMPECCA™ IS NOT RESPONSIBLE OR LIABLE FOR ANY DAMAGE, WHETHER SPECIAL, INCIDENTAL, CONSEQUENTIAL, DIRECT OR OTHERWISE, OR WHETHER KNOWN OR SHOULD HAVE BEEN KNOWN TO IMPECCA™, INCLUDING LOST PROFITS, GOODWILL, AND PROPERTY AND PERSONAL INJURY RESULTING FROM ANY BREACH OF WARRANTY, THE INABILITY TO USE THE PRODUCT OR UNDER ANY LEGAL THEORY IN CONTRACT OR TORT. IMPECCA LIABILITY IS LIMITED TO THE ACTUAL PURCHASE PRICE PAID TO THE RETAIL SELLER OF THE DEFECTIVE PRODUCT.

No Impecca™ dealer, agent or employee is authorized to make any modification, extension, change or amendment to this warranty without the written consent and authorization from Impecca™.

Some states do not allow the exclusion or limitation of implied warranties or liability for incidental or consequential damages, or do not allow a limitation on how long an implied warranty lasts, so the above limitations or exclusions may not apply to you. This warranty gives you specific legal rights, and you have other rights, which vary from state to state.

Note: Our Warranty center services only to Continental U.S.A.

GARANTÍA LIMITADA POR UN AÑO (US)

Impecca™ garantiza al comprador original este producto contra defectos en su material y mano de obra como se especifica a continuación.

PARTES Y MANO DE OBRA– Si se determina que el producto tiene defectos de fabricación, dentro del periodo de un (1) año a partir de la fecha de compra original, Impecca™, a su discreción, reparará o reemplazará las partes del producto sin ningún costo para usted en los Estados Unidos.

Para obtener el servicio de garantía de un distribuidor autorizado de Impecca™ envíenos un correo electrónico a: service@impecca.com para obtener un número de Autorización de Reparación y Mantenimiento (RAM) y recibir las instrucciones de cómo se llevará a cabo el procedimiento de reparación o reemplazo.

Cualquier material de vidrio incluido en el electrodoméstico estará cubierto por un periodo de sesenta (60) días a partir de la fecha de compra.

Impecca™ excluye de esta garantía accesorios no eléctricos o mecánicos, accesorios y partes desechables incluyendo, pero no limitado, a la carcasa, cables de conexión, baterías, adaptadores A/C. Impecca™ se reserva el derecho de reparar o reemplazar un producto defectuoso con un modelo igual, equivalente o nuevo modelo.

Nos reservamos el derecho ya sea de reparar o reemplazar el producto a nuestra discreción. El reemplazo puede ser nuevo o reacondicionado tratando de asegurar de que se trate del mismo modelo, si el mismo modelo no está disponible, se reemplazará con un modelo de especificaciones iguales o superiores.

El “desgaste” normal no está cubierto por esta ni por ninguna otra garantía. Adicionalmente, Impecca™ se reserva el derecho de determinar el “desgaste” de cualquiera o todos los productos. El violar o abrir el chasis del producto invalidará esta garantía por completo.

Excepciones: Esta garantía no cubre lo siguiente:

1. Cualquier producto que tenga un número de serie defectuosos o cubierto
2. Productos que han sido transferidos a un segundo propietario
3. Óxido en la parte interna o externa de la unidad
4. Los productos listados como “Tal cual” o “Reformados”
5. Pérdida de alimentos debido a la falla del producto
6. Aires acondicionados que han sido instalados en un muro.
7. El producto si este ha sido utilizado en una ubicación comercial
8. Llamadas de servicio que no involucren el mal funcionamiento del producto
9. Llamadas de servicio de un producto estropeado por no seguir las instrucciones proporcionadas

10. Llamadas de servicio para corregir una instalación incorrecta
11. Costos asociados por hacer el producto accesible al servicio (incluido pero no limitado a la remoción de ajustes/moldeo/gabinete, etc.)
12. Llamadas de servicio para reemplazar consumibles como bombillas, filtros, etc.
13. Recargos que pueden aplicar a llamadas de servicio los fines de semana, por las noches, o durante las festividades. Daños al acabado del electrodoméstico o muebles de la casa debido a la instalación del electrodoméstico.
14. Daños causados por cualquiera de las siguientes causas: Actos de Dios, incendios, mal uso, accidentes, suministro de energía incorrecto, servicio realizado por personal no autorizado, el uso de partes no originales Impecca.

TODAS LAS GARANTÍAS IMPLÍCITAS, INCLUYENDO LAS GARANTÍAS IMPLÍCITAS DE MERCADOTECNIA E IDONEIDAD PARA UN PROPÓSITO EN PARTICULAR ESTÁN LIMITADAS A UNA DURACIÓN DE (1) AÑO EN PARTES Y NOVENTA (90) DÍAS EN MANO DE OBRA DESDE LA FECHA ORIGINAL DE COMPRA DEL PRODUCTO.

ESTAS GARANTÍAS Y MEDIDAS SON ÚNICAS Y EXCLUSIVAS EN RELACIÓN CON LA VENTA Y USO DEL PRODUCTO. NO SE OTORGA NINGUNA OTRA GARANTÍA, ORAL O ESCRITA, EN FORMA EXPRESA O IMPLÍCITA.

IMPECCA™ NO SE HACE RESPONSABLE DE NINGÚN DAÑO, YA SEA ESPECIAL, INCIDENTAL, CONSECUENTE, DIRECTO O DE CUALQUIER OTRA NATURALEZA, YA SEA CONOCIDO O POR DAR A CONOCER A IMPECCA™, INCLUYENDO LA PÉRDIDA DE GANANCIAS, PLUSVALÍA, DAÑOS PERSONALES O EN LA PROPIEDAD RESULTANTES DE CUALQUIER INCUMPLIMIENTO DE LA GARANTÍA, LA INCAPACIDAD DE UTILIZAR EL PRODUCTO O BAJO NINGUNA TEORÍA LEGAL EN CONTRATO O AGRAVIO. LA RESPONSABILIDAD DE IMPECCA SE LIMITA AL PRECIO ACTUAL DE COMPRA PAGADO AL VENDEDOR DEL PRODUCTO DEFECTUOSO.

Ningún distribuidor, agente o empleado de Impecca™ está autorizado para hacer ninguna modificación, extensión, cambio o enmienda de esta garantía sin el consentimiento y autorización escrita de Impecca™.

Algunos estados no permiten la exclusión o limitación de garantías implícitas o la responsabilidad por daños incidentales o consecuentes, y no permiten una limitación en la duración de una garantía implícita, de modo que las anteriores limitaciones o exclusiones pueden no aplicarse a usted. Esta garantía le otorga derechos específicos, y puede usted tener otros derechos, los cuales varían de estado a estado.

Nota: El Centro de Servicio de Garantía hace envíos solo dentro del territorio continental de E.U.

GARANTIE LIMITÉE D'UN AN (US)

Impecca™ garantie auprès de l'acheteur original cet appareil contre toutes déficiences liées au matériel et à la fabrication tel que spécifié ci-dessous.

PIÈCES ET MAIN D'ŒUVRE- S'il est déterminé que l'appareil a un problème lié à la fabrication, à l'intérieur d'une période d'un an de la date d'achat originale, Impecca™, à sa discrétion, pourra remplacer ou réparer les pièces de l'appareil sans frais pour vous aux États-Unis.

Afin d'obtenir des services sous garantie par un fournisseur autorisé par le centre de service d'Impecca™, veuillez nous rejoindre par courriel : service@impecca.com afin d'obtenir un numéro d'autorisation d'entretien et réparation (Repair and Maintenance Authorization – RMA). Vous recevrez également des détails liés au processus de réparation et/ou remplacement.

Tout matériau en verre inclus avec l'appareil est couvert par une garantie de 60 jours à compter de la date d'achat (lorsque applicable).

Impecca™ exclus spécifiquement de cette garantie tout attachement non électrique / mécanique, accessoires ou pièce jetable incluant, mais non limité au boîtier externe, les câbles connecteurs, les piles et les adaptateurs secteurs. Impecca™ se réserve le droit de réparer ou remplacer les appareils défectueux par un modèle pareil, équivalent ou plus récent.

Nous nous réservons le droit de réparer ou de remplacer l'appareil à notre discrétion. Le remplacement pourrait être par un appareil nouveau ou remis à neuf. Bien que tous les efforts soient mis de l'avant pour assurer qu'il s'agisse du même modèle, s'il s'avère impossible, le remplacement sera de qualité similaire ou supérieure.

L'usure normale de l'appareil n'est pas couverte par cette garantie. Impecca™ se réserve le droit de déterminer le niveau d'usure sur l'ensemble de ses appareils. Ouvrir le boîtier ou modifier l'appareil annule dans son intégralité la présente garantie.

Exclusions : la garantie présente exclut les points suivants :

1. Tout appareil dont le numéro de série est effacé ou rendu illisible.
2. Tout appareil transféré à un second propriétaire.
3. La rouille formée à l'intérieur ou à l'extérieur de l'unité.
4. Les appareils marqués « Tel quel » ou « Remis à neuf ».
5. Pertes d'aliments dus à un mauvais fonctionnement de l'appareil.
6. Climatiseur à fenêtre installés au mur.
7. Si l'appareil est utilisé à des fins commerciales.
8. Appels de service qui ne sont pas en lien avec un mal fonctionnement de l'appareil.
9. Appels de service pour un appareil endommagé suite au non-respect des instructions fournies.
10. Appels de service liés à une installation défectueuse.

11. Coûts entraînés à rendre l'appareil accessible pour l'entretien (incluant, mais non limité à l'enlèvement de moulures, plinthes, armoires, etc.)
12. Appels de service pour le remplacement de pièces consommables tels que des ampoules, filtres, etc.
13. Des frais additionnels peuvent s'appliquer aux appels de service en soirée, en fin de semaine, les jours fériés. Des dommages à la finition de l'appareil ou à des ameublements suite à l'installation de l'appareil.
14. Dommages causés par : des circonstances exceptionnelles; incendie; mauvaise utilisation; accident; alimentation électrique inappropriée; entretien effectué par une personne non autorisée; utilisation de pièces non d'origine d'Impecca, etc.

TOUTE GARANTIE IMPLICITE, Y COMPRIS LES GARANTIES DE QUALITÉ MARCHANDE ET D'ADAPTATION À UN USAGE PARTICULIER EST LIMITÉ POUR UNE DURÉE DE 1 AN À COMPTER DE LA DATE DE L'ACHAT ORIGINAL DE CE PRODUIT.

CES GARANTIES ET RECOURS DEMEURENT EXCLUSIFS À LA VENTE ET L'UTILISATION DE CE PRODUIT. AUCUNE AUTRE GARANTIE, ORALE OU ÉCRITE, EXPLICITE OU IMPLICITE, NE SERA ÉMISE.

IMPECCA™ NE PEUT PAS ÊTRE TENU RESPONSABLE POUR DES DOMMAGES SPÉCIAUX, ACCIDENTELS, CONSÉQUENTS, DIRECTS OU AUTRES CONNUS OU QUI AURAIENT PU ÊTRE COMMUNIQUÉS À IMPECCA™, Y COMPRIS LA PERTE DE PROFITS, DE BIENVEILLANCE, DE BIENS ET DE BLESSURES RÉSULTANT D'UNE VIOLATION DE LA GARANTIE, L'INCAPACITÉ D'UTILISER LE PRODUIT OU EN VERTU DE TOUTE THÉORIE JURIDIQUE EN CONTRAT OU DÉLIT. LA RESPONSABILITÉ D'IMPECCA EST LIMITÉE AU PRIX D'ACHAT PAYÉ AU VENDEUR EN DÉTAIL DU PRODUIT DÉFECTUEUX.

Aucun revendeur, agent ou employé d'Impecca™ n'est autorisé à effectuer une modification, une extension, un changement ou un amendement de cette garantie sans le consentement écrit et l'autorisation d'Impecca™.

Certains états ne permettent pas l'exclusion ou la limitation des garanties implicites ou de responsabilité en lien avec des dommages accidentels ou des dommages conséquents ou ne permettent pas une limitation sur la durée de la garantie implicite. Donc, les limitations ou exclusions ci-dessus peuvent ne pas s'appliquer à vous. Cette garantie vous donne des droits légaux spécifiques et vous détenez d'autres droits, qui peuvent varier d'état en état.

Note : Notre centre de la garantie effectue la livraison uniquement qu'aux États-Unis continentaux.