



RR2  
(iRR2-2412)



Use & Care Instructions

## TABLE OF CONTENTS

1. Welcome to iio .....	page 2	7. Energy saving tips .....	page 15
2. Product overview.....	page 3	8. Cleaning.....	page 16
3. Important safety notes .....	page 4	9. Troubleshooting.....	page 18
4. Installation.....	page 6	10. Electrical Diagram .....	page 19
5. Product dimensions .....	page 8	11. Warranty .....	page 20
6. Operation.....	page 10	12. Your appliance information.....	page 21

## WELCOME TO iio!

*Congratulations and thank you for your purchase! We truly appreciate your business and are grateful for the trust you have placed in us and our products.*

You have purchased one of the most efficient refrigeration products available today. We are proud of this beautifully designed refrigerator and believe it will bring you years of reliable service.

At iio, we design our appliances for both space and energy efficiency. Our mission is to create a range of stylish home appliances that fit your life, your style, space parameters, taste, eco aspirations, functional needs, budget and way of shopping. We want to help turn your space into your place.

Please register your refrigerator at [www.iioKitchen.com](http://www.iioKitchen.com). >>>>>>>>>



For any inquiries, please contact us at: 1-833-446-4461 or visit [www.iioKitchen.com](http://www.iioKitchen.com) for additional information regarding your appliance.

### Extend your warranty today!

- Receive up to 1 month of extended warranty for submitting a photo and 2 months of extended warranty by submitting a video (pending review).

### To be considered for approval:

- Photo upload must demonstrate the product's use or application in a natural setting and should clearly show the product from a perspective not already shown on the site.
- Video review must be at least 30 seconds in duration, clearly show the product in use in a natural setting and include insightful product-specific audio commentary.
- The photo or video must be of sufficient quality, in the opinion of the iio™ management, that it can be used on our website and in other promotional materials.
- Submitting the photo and video represents your permission that we may have unlimited use of these materials wherever we require, at no additional cost.

## PRODUCT OVERVIEW

- The images in this guide may differ from the actual components and accessories, which are subject to change without prior notice for product improvement purposes.

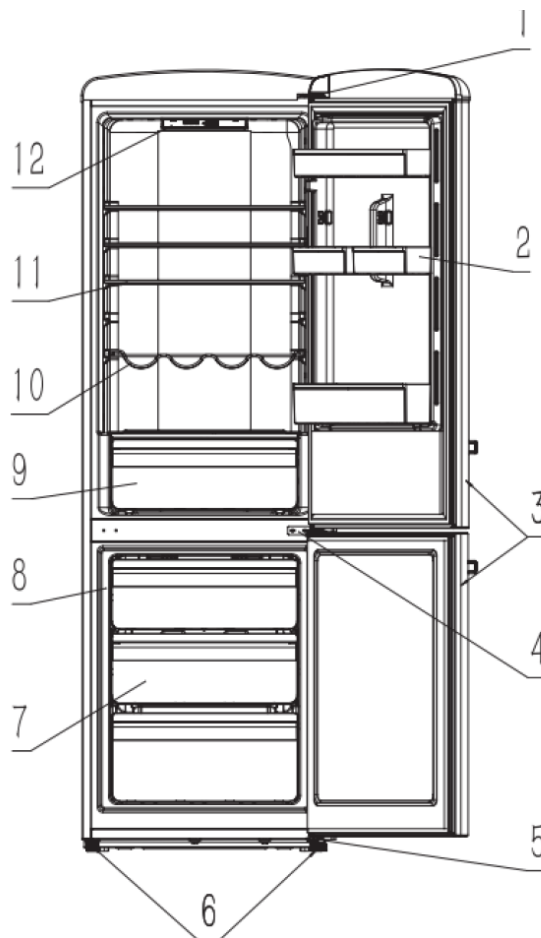
**NOTE:** The appearance of components in the appliance may differ from model to model.

- The refrigerator is intended for storing fresh food at temperatures above 32° F (0° C).
- Appliance temperature may be changed by adjusting the thermostat.
- The freezer section is intended for freezing fresh and already frozen food and for long-term storage. Length of storage time is dependent on the type of food being stored.

### FEATURES:

- 1: Upper hinge
- 2: Detachable door shelf
- 3: Doors
- 4: Middle hinge
- 5: Lower hinge
- 6: Adjustable feet

- 7: Freezer drawers
- 8: Freezer compartment
- 9: Crisper
- 10: Wine rack
- 11: Shelf
- 12: Control panel



## IMPORTANT SAFETY NOTES

Always read and follow all safety messages.

### READ ALL INSTRUCTIONS BEFORE USE.



**Alert Symbol** – will display **WARNING** or **CAUTION** beside the instruction. Messages with the Alert Symbol will inform you of the potential hazard, provide guidance for reducing the hazard, and inform of the possible outcome if the instruction is not followed.

**WARNING – YOU MAY BE KILLED, SERIOUSLY INJURED OR DAMAGE THE APPLIANCE IF THE INSTRUCTION IS NOT FOLLOWED.**

**CAUTION – YOU MAY BE INJURED OR DAMAGE THE APPLIANCE IF THE INSTRUCTION IS NOT FOLLOWED.**



### WARNING

- Flammable refrigerant used. To be repaired by trained service personnel only. Do not puncture refrigerant tubing or other parts that use refrigerant. Consult user manual before attempting any repairs. All safety precautions must be followed.
- When using this appliance follow basic precautions to reduce the risk of electrical shock, explosion, fire, serious injury or death.
- Do not put flammable, explosive, volatile and highly corrosive items in the appliance to prevent damage to the appliance and prevent injury or death. Keep materials and vapors, such as gasoline and alcohol, away from appliance.
- Use non-flammable cleaner to clean the appliance.
- Do not use electrical appliances (i.e. hair dryer or fan) inside the appliance compartments.
- Disconnect the power before servicing or cleaning.
- This appliance is not intended to be used by children under the age of 8.
- Children shall not play with the appliance. Do not allow any child to get into, climb the appliance or play with the appliance doors.
- Do not allow children to play in, on or around the fridge. It is not a toy. **THERE IS A DANGER OF SUFFOCATION IF A CHILD BECOMES TRAPPED INSIDE.**
- When the appliance is not in use, secure or remove the doors to prevent children from playing inside the cabinets.
- Risk of child entrapment. Before throwing away an old appliance remove the door(s), remove the shelves to prevent children from climbing inside.
- This appliance is not intended for use by persons (including children) whose physical, sensory or mental capabilities may be different or reduced, or who lack experience or knowledge, unless such persons receive supervision or training to operate the appliance by a person responsible for their safety.
- Cleaning and user maintenance shall not be made by children without supervision.





### CAUTION

- Appliance **MUST** be in a vertical position for 24 hours before being connected to power.
- Replace all appliance parts and panels before operation.
- To avoid injury two or more people are required to move and install the appliance.
- Never pick up or move the refrigerator by the door.

### **Prop. 65 Warning for California Residents**



**WARNING:** This product may contain chemicals known to the State of California to cause cancer, birth defects, or other reproductive harm.



**Dispose of properly in accordance with federal and/or local regulations. In case of punctured tubing follow all handling instructions carefully.**

# INSTALLATION



## WARNING

- When using this appliance follow basic precautions to reduce the risk of electrical shock, explosion, fire, serious injury or death.
- Do not damage the refrigerant circuit.
- Only connect this product to a dedicated grounded electrical outlet rated for use with this product (115 V, 60 Hz, AC only). It is the user's responsibility to replace a standard 2-prong wall outlet with a standard 3-prong (grounded) wall outlet. Ensure that the grounding electrode is equipped with a reliable grounding line.
- Do not remove the ground prong from the power cord.
- Do not use an extension cord.
- Do not use an adapter on the wall socket.
- Do not pull-out plug using the power cord. Firmly grasp the plug and pull it out from the socket.
- Keep packing materials out of the reach of children. Packaging material can be dangerous for children as there is a risk of suffocation.
- When moving the appliance, be careful not to roll, bend, pinch or damage the power cord.
- Do not place electrical appliances on top of the appliance.
- To avoid injury or damage to the appliance, installation should be carried out by two people.
- Do not place heavy objects on top of the appliance as they may fall and cause injury when the appliance door is opened.
- Do not install the appliance in a damp or dusty place where insulation or electrical parts may deteriorate.
- Do not place the appliance in direct sunlight or expose it to the heat from heating appliances such as stoves or heaters.
- Do not put flammable, explosive, volatile and highly corrosive items in the appliance to prevent damage to the appliance and prevent injury or death. Keep materials and vapors, such as gasoline and alcohol, away from appliance.

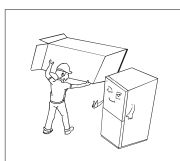


## CAUTION

- Do not use sharp instruments, rubbing alcohol, flammable fluids, or abrasive cleaners to remove tape or glue. These products can damage the surface of your appliance.
- Keep ventilation openings clear of obstructions.
- Do not use an outlet that can be turned off with a switch.
- Appliance **MUST** be in a vertical position for 24 hours before being connected to the power outlet.
- Install the appliance in a dry and well-ventilated room. Ambient temperature should be between 18 °C ~ 38 °C (64 °F ~ 100 °F).
- The appliance is heavy. Protect the floor when moving the appliance for cleaning or servicing.
- Always pull the appliance straight out when moving it. Do not wiggle or walk the appliance as floor damage could occur.
- Never pick up or move the refrigerator by the door.

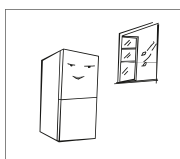
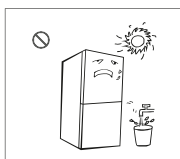


### Remove the Packaging



- Remove tape and any temporary labels from your refrigerator before use. Do not remove any warning labels, the model and serial number labels, or the circuit diagram from the appliance as this will void the warranty.
- Carefully remove the protective plastic film on the doors and refrigerator body.
- If required, carefully use tweezers or other small instruments to start the peeling at the corners.

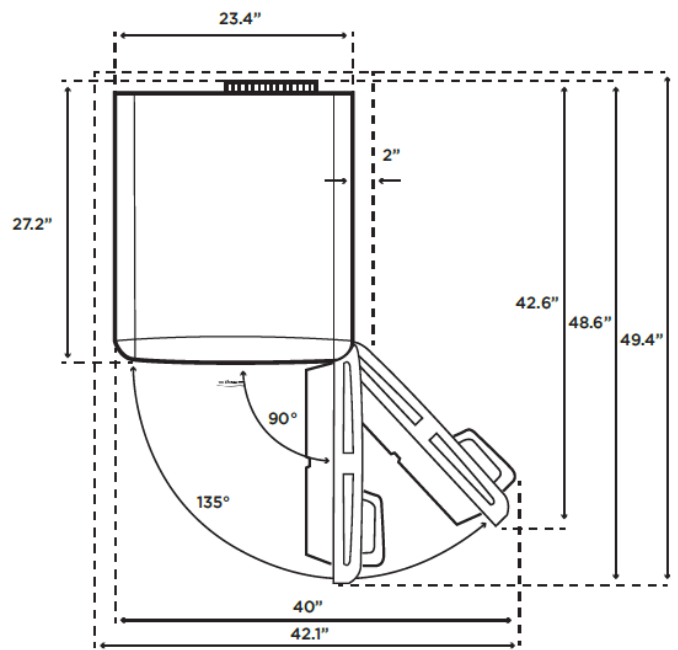
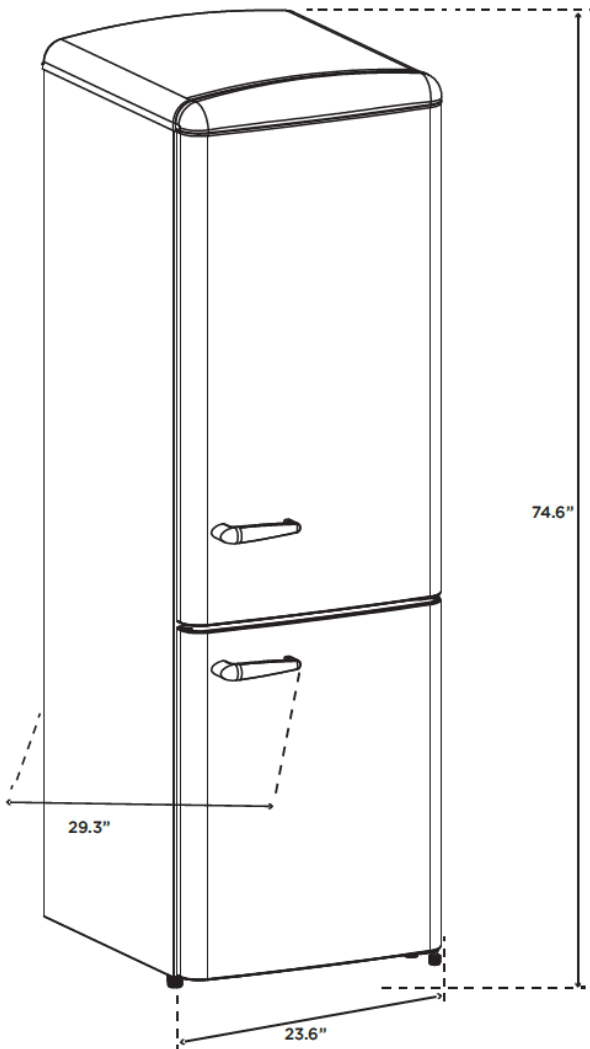
### Appliance Location



- To avoid noise and vibration, the appliance must be installed and leveled on a solidly constructed floor. If required, adjust the leveling legs to compensate for the unevenness of the floor.
- Keep away from heat and avoid direct sunlight.
- Do not place the appliance in humid or watery places to prevent corrosion or reduced insulation efficiency.
- Ensure that the appliance is placed in a well-ventilated indoor location.
- Ensure that there is enough space around the appliance, as indicated in diagram (pg. 8), to allow for proper ventilation.

**Note:** Installation on carpeting, soft tile surfaces, a platform or weakly supported structure is not recommended. Surface shall be flat and sturdy (rotate left and right to adjust the wheel for levelling if unsteady).

## PRODUCT DIMENSIONS



- Your refrigerator should be installed on a flat and even floor. Keep the refrigerator level by adjusting the front legs.



## Dimensions and Clearances

- Check the dimensions of the appliance and the installation path to ensure there is sufficient room to move the appliance through doors or narrow openings.
- The installation location chosen for the appliance should allow space behind the unit for connections and airflow as well as space in front to open the doors.
- Too small of a distance from adjacent items may result in reduced cooling and freezing capability and increased power consumption. Allow at least 20 inches in front of the appliance to open the doors, and at least 2" clearance between the back of the appliance, sides and wall.

## Levelling

- The refrigerator has two front leveling legs. Adjust the legs to alter the tilt from front-to back or side-to side. If the refrigerator seems unsteady, or the doors do not close easily, adjust the refrigerator's tilt using the instructions below:
  1. Turn the leveling leg counterclockwise to raise that side of the refrigerator or clockwise to lower it. It may take several turns of the leveling leg to adjust the height of the appliance.
  2. Open the door and check to make sure that it closes easily. If the door does not close easily, tilt the refrigerator slightly more to the rear by turning both leveling legs counterclockwise. It may take several more turns.

## Positioning the Refrigerator

- Arrange the refrigerator so that it does not vibrate against adjoining surfaces or against the wall. Be sure to maintain a 2" clearance between the back of the appliance, sides, and wall.

# OPERATION

## Before Use



### WARNING

- When the control dial is turned off, power is still supplied to the appliance. Disconnect the power before servicing or cleaning to prevent injury or death.
- If the refrigerator is unplugged, turned off or has lost power, you must wait 3 to 5 minutes before restarting the unit. If you attempt to restart before this time delay, the refrigerator will not start.



### CAUTION

- Do not scratch the appliance with a sharp object or use a detergent that contains alcohol, a flammable liquid or an abrasive when removing any tape or adhesive from the appliance.



- Do not peel off the model or serial number label or the wiring diagram on the rear surface of the appliance as this will void the warranty.

- Open appliance doors to ventilate the interior as the appliance may have a "new car smell".

- Clean the appliance thoroughly by wiping off all surfaces with a soft cloth and mild detergent.

- The appliance may make a loud noise after initial operation. This is normal and will decrease as the temperature decreases.

- Remove any adhesive tape from inside the appliance and open the doors for ventilation.



## CONTROL PANEL DISPLAY

Depending on the model, some of the following functions may not be available. The control panel display may differ from model to model.



## STARTING THE FRIDGE

After the fridge has been properly connected to a power source, the compressor will automatically turn on and the cabinet will begin cooling. Allow the cabinet to cool for at least 4 hours prior to adding food items.

## OPERATION

Tap any key for the first time and the control panel will be activated. If there is no button selection for one minute, the LED display will automatically go off.

## MODE

Tap the “Mode” button to select your desired operation mode. Available modes are: Quick Cool, Quick Freezer and Optimal.

## QUICK COOL

The fridge’s temperature will be set to 35°F and will run for 12 hours. After 12 hours, this mode will automatically disable and resume normal operation.

## QUICK FREEZE

The freezer’s temperature will be set to -8°F and will run for 24 hours. After 24 hours, this mode will automatically disable and resume normal operation. **Note: Quick cool mode does not change the Quick Freezer mode.**

## OPTIMAL

Tapping the “Optimal” button will adjust the fridge temperature to 35°F and the freezer temperature to -1°F. If any other button is pressed, “Optimal” mode will be disabled.

## FRIDGE +/-

Tap the “Fridge +/-” button to adjust the temperature of your fridge. Note: The temperature range for the fridge is 34°F to 44°F.

## FREEZER +/-

Tap the “Freezer +/-” button to adjust the temperature of your freezer. Note: The temperature range for the freezer is 6°F to -8°F. When the desired temperature is selected, the numbers will flash 5 times to confirm. If another mode is selected during that period switched during the flashing period, switch will take effect immediately.

## **CELSIUS & FAHRENHEIT SELECTION**

Press and hold down the “Fridge +/-” and the “Freezer +/-” button to switch between Celsius and Fahrenheit.

## **DOOR ALARM**

Press and hold the “Mode” button for 3 seconds to disable the door alarm function. Note: the door alarm function will be reactivated if the door is left open for more than 3 minutes and will beep 3 times every 3 minutes until the door is closed. The sound will stop after 10 minutes if the door is not closed.

## **INTERIOR LIGHT**

The interior LED light is situated on the inside ceiling of the fridge compartment, it will turn on when the door of the appliance is opened and will turn off when the door is closed. If the interior light burns out, contact a certified service technician to have it replaced. Note: The functionality of the appliance is not affected if the light is not working.

## **LEVELING INSTRUCTIONS**

There are adjustable legs on the bottom of the front of the appliance that can be turned up or down to ensure that the appliance is level.

1. Turn the leveling leg counterclockwise as far as it will go, until the top of the foot touches the bottom of the cabinet.
2. Slowly turn the leveling leg clockwise until the appliance is level.

## **OPENING AND CLOSING THE DOOR**

The doors are fitted with uniform sealing strips to prevent warm air and moisture from entering the fridge and freezer compartments. Be sure that the doors and door seals are free from obstructions and form a complete seal around the rim of the fridge/freezer cabinets. Over-stuffing and/or unlevel installation of the appliance will prevent a good seal. It might be hard to open the door immediately after the door is closed. This is due to air contraction in the fridge/freezer cabinets. This pressure difference will equalize in a few seconds, making the doors easy to open once again.

## **LOADING THE FRIDGE AND FREEZER**

Avoid packing food too tightly around the cooling plates located on the back wall of the fridge/freezer. Allow air flow around these plates to ensure proper operation. When adding unfrozen food to the freezer for the first time, fill the freezer only 1/3 full and wait until that food is sufficiently frozen before adding more. It will also help to cool food more quickly if the food is packaged in smaller containers rather than large ones. Food packages more than 2 inches thick will cool slowly. Avoid placing warm food in contact with cold food.

## **NORMAL OPERATING SOUNDS**

You may hear faint gurgling or bubbling sounds when the refrigerant is being pumped through the refrigerant coils. When the compressor is on, the refrigerant is being pumped through the appliance and you will hear a whirring or pulsing sound from the compressor. A thermostat controls the compressor and you may hear a ‘click’ when the thermostat cuts in and out.

**IMPORTANT: Your appliance is “Frost Free” and does not require defrosting**

## WATER CATCH BASIN

There is a water catch basin located at the back of the fridge for excess water. In a frost-free refrigerator, water will flow from the walls of the fridge compartment, through the defrost water drain, down into the catch basin. The hot condenser coil runs into the water catch basin and evaporates the water slowly: Note: if the fridge must be moved after some time, it is best to remove the water from the catch basin first.

## INTERNAL CLEANING

Wash the inside of the appliance with lukewarm water and a mild soap. Never use abrasive or corrosive cleaning agents, steel wool, scouring sponges, chemical cleaning agents, or highly perfumed cleaning products to clean the interior as these will damage the surface and leave behind a strong odor. A sponge, towel, or soft brush is recommended. Wash with a mixture of two tablespoons (30ml) of baking soda to 1 quart (1.14L) warm water. After cleaning, wipe all surfaces with a soft cloth and clean water to rinse, and allow the fridge/freezer to dry.

## EXTERNAL CLEANING

Wash the outside of the cabinet with warm water and a mild soap or detergent. Do not use abrasive or corrosive cleaning agents, chemical cleaning agents, steel wool or scouring sponges to clean the fridge as it may cause damage to the surfaces.

## POWER FAILURE

Most power failures are corrected within a few hours and should not affect the internal temperature of the appliance if the number of times the door is opened is kept to a minimum. If the power is going to be off for a longer period of time, take the proper steps to protect the contents. **Note: Wait 3 to 5 minutes before attempting to restart the refrigerator if operation has been interrupted. \*\*\*Failure to do this can damage your refrigerator and void your warranty.\*\*\***

## VACATION

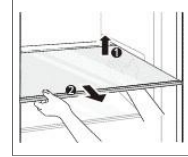
- Short vacations: Leave the appliance operating during vacations of less than three weeks.
- Long vacations: If the appliance will not be used for several months, remove all items and disconnect the appliance from its power source. Clean and dry the interior thoroughly. To prevent odor and mold growth, leave the door open slightly, blocking it open if necessary.

## MOVING

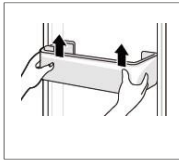
- Remove all items.
- Tape down shelves inside the appliance.
- Turn the adjustable leg up to the base to avoid damage.
- Tape the door shut.
- Be sure the appliance stays in the upright position during transportation. Protect the outside of the appliance with a blanket.
- If the appliance is placed on its back or side during transportation, upon reaching the destination, allow it to remain upright for 6 hours before plugging in to avoid damage to internal components.

## Glass Shelves

- Glass shelves can be positioned to the desired height by the user.
- To reposition a shelf gently slide out the shelf out towards you.
- Slightly tilt the front of the shelf up to completely pull out the shelf.
- Gently re-install the shelf at the desired position by reversing this step.

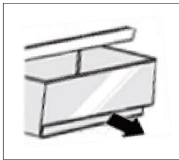


## Door Shelves



- The door shelves are typically used to hold smaller items.
- Door shelves may be removed for cleaning.
- Gently lift up the shelf using both hands placed on both ends of the shelf. Lift both sides evenly to avoid jamming or causing damage to the shelf or refrigerator panel.
- Re-install the shelf ensuring that it is lowered evenly and horizontally. Gently tap the shelf to ensure it is properly seated

## Crisper Drawer



- The crisper is typically used to hold vegetables and fruit and may be pulled out for cleaning.



### CAUTION

Exercise care when moving shelves, drawers, and door shelves to avoid breakage.

## ENERGY SAVINGS TIPS

- Do not install the fridge close to sources of heat, such as a stove, boiler, heater, chimney, etc., and avoid exposure of the appliance to direct sunlight.
- Locate the appliance in a cool well-ventilated room and make sure that the air vents of the compressor housing cover are not obstructed. Also allow adequate spacing around the cabinet for air circulation (2”).
- Avoid unnecessary frosting in the cabinet by packing all food and liquids in airtight packages or containers.
- Always keep food stored in tightly sealed packaging or containers, and allow some space for air to circulate around each item.
- Avoid keeping the door open for extended periods of time or opening the door too frequently as warm air will enter the cabinet and cause the compressor to run unnecessarily.

# CLEANING



## WARNING

- Unplug the appliance from the power source before cleaning.
- Do not use large amounts of water or liquid when cleaning the appliance as this may affect electrical components and insulating properties of the appliance.



## CAUTION

- Do not use any detergents or flammable substances such as alcohol, thinner, bleach, or other flammable liquids to clean the appliance.
- Cleaning solutions that contain abrasives, acids or solvents are not suitable for cleaning and may damage the fridge and cause discoloration. Do not use these types of cleaners.
- Do not use sharp objects when cleaning the appliance as these may scratch the appliance.
- Do not peel off or damage the model or serial number labels on the surfaces of the appliance as this will void the warranty.
- Regular cleaning of the appliance is recommended to prevent odors and ensure efficient operation of the unit. This includes interior surfaces such as interior walls, shelves, and door shelves as well as exterior components such as door gaskets, handles, sides, and the condenser unit.
- Use a soft damp cloth with mild detergent to clean all surfaces.
- Removable parts such as shelves, drawers and door shelves may be taken out for cleaning.
- Wipe up spills immediately.
- Surfaces should be dried after being wiped.



## CAUTION

Exercise care when moving shelves, drawers, and door shelves to avoid breakage.

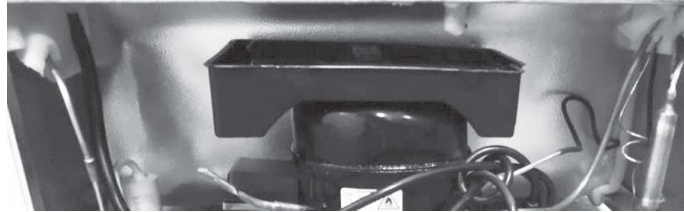
## Exterior Cleaning

- Check and clean the door gasket regularly to ensure that there is no debris on it.
- Exterior surfaces of the appliance can also be cleaned with a soft damp cloth with mild detergent.
- Periodically clean the dust that accumulates under and behind the appliance to improve the cooling efficiency.



## Water Catch Basin

- There is a water catch basin located on top of the compressor for collecting excess water.
- When defrosting, water will flow from the fridge compartment through the defrost water drain down into the catch basin.



### CAUTION

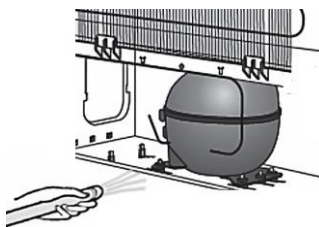
- Take notice when doing a complete defrost as the water catch basin could overflow. You may use an absorbent sponge to remove the water.
- Do not attempt to remove the water catch basin from the appliance.

## Compressor Cavity



### WARNING

- Turn off the appliance and unplug the appliance from the power source before attempting to clean the compressor cavity.
- Take extreme care when cleaning this section of the appliance as it contains electrical and mechanical components as well as delicate refrigerant tubes that must not be damaged.



- The compressor cavity area can be cleaned with a vacuum equipped with a soft brush or crevice tool.
- Gently vacuum the dust that has accumulated in this area.

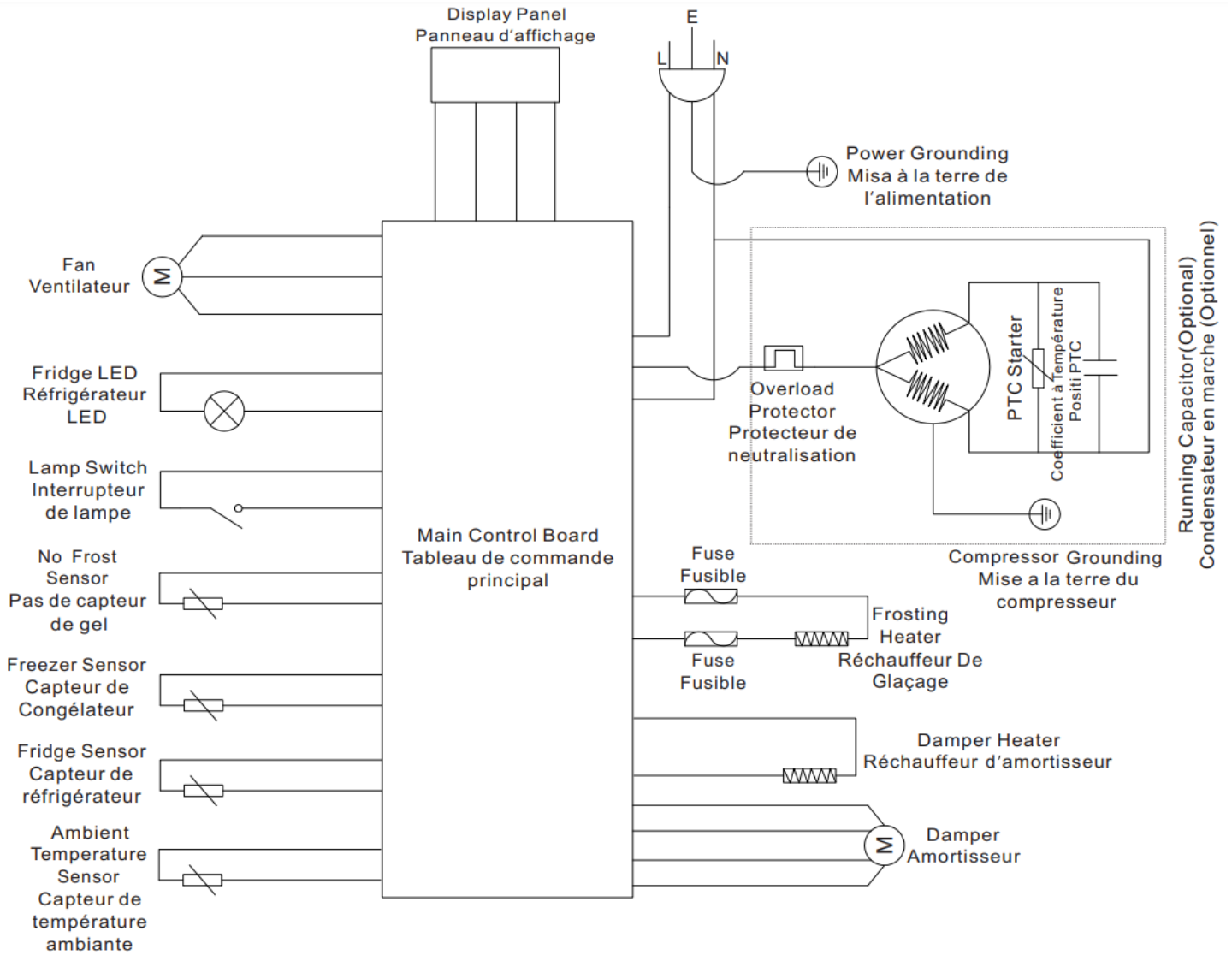
## TROUBLESHOOTING

PROBLEM	POSSIBLE CAUSE OR REMEDY
<b>Appliance is connected but does not work:</b>	<ul style="list-style-type: none"> <li>• Ensure that the appliance is plugged in and there is power in the outlet.</li> <li>• Confirm that circuit breaker or fuse has not tripped.</li> <li>• Confirm thermostat is set between 1-7</li> </ul>
<b>Cooling system operates continuously for extended periods of time:</b>	<ul style="list-style-type: none"> <li>• Ambient temperature too high.</li> <li>• Door opened frequently or for too long.</li> <li>• Door not closed properly (misaligned, damaged or dirty door seals).</li> <li>• Large load of food added at once.</li> <li>• Temperature sensor blocked by food, preventing proper air circulation.</li> <li>• Ensure recommended clearances are adhered to.</li> <li>• Ensure there is adequate air circulation behind the appliance.</li> </ul>
<b>Excessive ice build up on the back wall:</b> (Note: some moisture buildup is normal)	<ul style="list-style-type: none"> <li>• Door opened too frequently or for too long.</li> <li>• Warm food placed in refrigerator.</li> <li>• Food placed against back wall of refrigerator.</li> <li>• Poor door sealing.</li> <li>• Door seal damaged or dirty, replace or clean seal.</li> <li>• Extremely humid environment.</li> </ul>
<b>Ice or frost build up in the freezer:</b>	<ul style="list-style-type: none"> <li>• Door opened too frequently or for too long.</li> <li>• Door not closed properly.</li> <li>• Poor door sealing.</li> <li>• Door seal damaged or dirty, replace or clean seal.</li> <li>• Extremely humid environment.</li> </ul>
<b>Door will not close:</b>	<ul style="list-style-type: none"> <li>• Check and clean the door gasket regularly to ensure that there is no debris on it.</li> <li>• Ensure there is no frost build up preventing the door from closing. May require defrost.</li> </ul>
<b>Door difficult to open:</b>	<ul style="list-style-type: none"> <li>• Clean door gaskets and contact surfaces with mild soap and warm water.</li> <li>• Add non-slip pads to the refrigerator feet if it is sliding on the floor</li> </ul>
<b>Water accumulation at the bottom of the refrigerator:</b>	<ul style="list-style-type: none"> <li>• Clogged water drain port. Over time the drain port may be clogged with dirt and debris. Push a small plastic straw down the hole to clear out any dirt.</li> </ul>
<b>LED lighting does not work:</b>	<ul style="list-style-type: none"> <li>• Call a service technician. Do not attempt to repair this yourself as there is danger of making contact with high voltage.</li> </ul>

For other troubleshooting inquiries or for an iio™ authorized repair center please contact us at: 1-833-446-4461 or email us at [service@iiookitchen.com](mailto:service@iiookitchen.com).



# ELECTRICAL DIAGRAM



## WARRANTY

iio™ warrants all refrigerators will be free from defects in materials or workmanship for a period of ONE YEAR from the date of original purchase.

THERE ARE NO OTHER WARRANTIES, EXPRESSED OR IMPLIED, INCLUDING BUT NOT LIMITED TO, WARRANTIES OR MERCHANTABILITY OR FITNESS FOR A PARTICULAR PURPOSE. Proof of purchase/original invoice may be required to claim warranty. Keep a photocopy easily accessible.

If the home in which the refrigerator is installed is sold within the warranty period, the new owner is protected until the expiration of the original purchaser's warranty. During this one-year period, iio™ will at its option, repair or replace, without charges, any product or part which is found to be defective under normal use and service.

### **This warranty does not cover:**

- a) normal maintenance and service;
- b) any products or parts which have been subject to misuse, negligence, accident, improper maintenance, or repair (except by an authorized iio™ repair center), faulty installation or installation contrary to recommended installation instructions
- c) cosmetic damage.

iio™ OBLIGATION TO REPAIR OR REPLACE, AT iio™ OPTION, SHALL BE THE PURCHASER'S SOLE AND EXCLUSIVE REMEDY UNDER THIS WARRANTY. iio™ SHALL NOT BE LIABLE FOR INCIDENTAL, CONSEQUENTIAL OR SPECIAL DAMAGES ARISING OUT OF, OR IN CONNECTION WITH, PRODUCT USE OR PERFORMANCE.

This warranty applies only within North America, to refrigerators installed for use for PRIVATE SINGLE FAMILY USE. If used for COMMERCIAL, MULTI-FAMILY USE or any other purpose, the warranty will be voided.

Removal or disfigurement of the serial plate, will void the warranty. The purchaser will be responsible for any extra expenses involved in making the refrigerator readily accessible for servicing. The purchaser will be responsible for any extra charges where the installation is in a remote location such as un-assumed roads, islands, and areas known as cottage country, 20 km outside a Metropolitan area or where a technician is not available. Freight damage is not covered by this warranty.

**WE OFFER UP TO 5-YEAR EXTENDED WARRANTIES AT EXTREMELY REASONABLE PRICES. YOU STILL QUALIFY UP TO 9 MONTHS POST PURCHASE!**

<https://store.iio.com/collections/extended-warranties>



For a iio™ authorized repair center please contact us at: 1-833-446-4461 or you can visit [www.iio.com](http://www.iio.com) for more information.





We do the utmost to ensure that the provided information is complete and accurate, however, images and specifications are subject to change without notice.

Visit [www.iiokitchen.com](http://www.iiokitchen.com) to download the latest version of the user manual.



## DESCRIPCIÓN DEL PRODUCTO

- Las imágenes de esta guía pueden diferir de los componentes y accesorios reales, que están sujetos a cambios sin previo aviso para mejorar el producto.

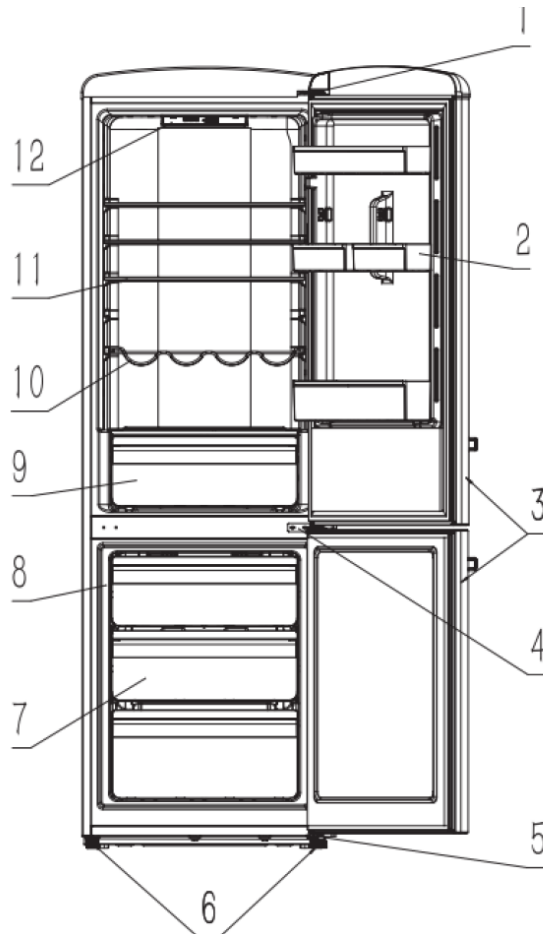
**NOTA: La apariencia de los componentes del electrodoméstico puede diferir de un modelo a otro.**

- El refrigerador está diseñado para almacenar alimentos frescos a temperaturas superiores a 32 °F (0 °C).
- La temperatura del aparato se puede cambiar ajustando la configuración del termostato.
- La sección del congelador está diseñada para congelar alimentos frescos y ya congelados y para almacenamiento a largo plazo. La duración del tiempo de almacenamiento depende del tipo de alimento que se almacenen

### FEATURES:

- 1: Bisagra superior
- 2: estante de puerta desmontable
- 3: Puertas
- 4: Bisagra central
- 5: Bisagra inferior
- 6: Pies ajustables

- 7: Cajones del congelador
- 8: Compartimento congelador
- 9: Más crujiente
- 10: Botellero
- 11: Estante
- 12: Panel de control





## NOTAS IMPORTANTES DE SEGURIDAD

Lea siempre y siga todos los mensajes de seguridad.

### LEA TODAS LAS INSTRUCCIONES ANTES DE SU USO.



**Símbolo de alerta** – mostrará **ATENCIÓN** o **CUIDADO** al lado de la instrucción. Los mensajes con el símbolo de alerta le informarán sobre el peligro potencial, brindarán orientación para reducir el peligro e informarán sobre el posible peligro si no se siguen las instrucciones.

**ATENCIÓN: PUEDE MORIR, LESIONARSE GRAVEMENTE O DAÑAR EL APARATO SI NO SIGUE LAS INSTRUCCIONES DEBIDAMENTE.**

**CUIDADO: PUEDE LESIONARSE O DAÑAR EL APARATO SI NO SIGUE LAS INSTRUCCIONES DEBIDAMENTE.**



### ATENCIÓN

- Se utiliza refrigerante inflamable. Solo se debe reparar por personal de servicio capacitado. No perfora los tubos de refrigerante ni otras piezas que utilicen refrigerante. Consulte el manual del usuario antes de intentar cualquier reparación. Deben seguirse todas las precauciones de seguridad.
- Al utilizar este aparato, siga las precauciones básicas para reducir el riesgo de descarga eléctrica, explosión, incendio, lesiones graves o muerte.
- No coloque objetivos inflamables, explosivos, volátiles o altamente corrosivos en el aparato para evitar dañarlo y evitar lesiones o la muerte. Mantenga los materiales y los vapores, como la gasolina y el alcohol, alejados del aparato.
- Utilice un limpiador no inflamable para limpiar el aparato.
- No utilice aparatos eléctricos (o sea, secador de pelo o ventilador) dentro de los compartimentos del aparato.
- Desconecte la alimentación eléctrica antes de realizar mantenimiento o limpieza.
- Este aparato no está diseñado para que lo utilicen niños menores de 8 años.
- Los niños no deben jugar con el aparato. No permita que ningún niño entre, se suba al aparato o juegue con las puertas del aparato.
- No permita que los niños jueguen dentro, encima o alrededor de la nevera. No es un juguete. **EXISTE PELIGRO DE ASFIXIA SI UN NIÑO QUEDA ATRAPADO DENTRO.**
- Cuando el aparato no esté en uso, asegure o quite las puertas para evitar que los niños jueguen dentro de los compartimentos.
- Riesgo de atrapamiento de niños. Antes de tirar un electrodoméstico viejo, retire la/s puerta/s, retire los estantes para evitar que los niños se suban al interior.
- Este electrodoméstico no está diseñado para que lo utilicen personas (incluidos niños) cuyas capacidades físicas, sensoriales o mentales puedan ser diferentes o reducidas, o que carezcan de experiencia o conocimientos, a menos que dichas personas reciban supervisión o capacitación para operar el electrodoméstico por una persona responsable de su seguridad.
- La limpieza y el mantenimiento de usuario no deben ser realizados por niños sin vigilancia.





## CUIDADO

- El aparato DEBE colocarse en posición vertical durante 24 horas antes de conectarlo a la toma eléctrica.
- Vuelva a colocar todas las partes y paneles del electrodoméstico antes de su uso.
- Para evitar lesiones, se requieren dos o más personas para mover e instalar el aparato.
- Nunca levante ni desplace el frigorífico por la puerta.

### **Prop. 65: Atención para residentes en California**



**ATENCIÓN:** Este producto puede contener sustancias químicas conocidas en el estado de California como causantes de cáncer, defectos de nacimiento u otros daños reproductivos.



Deséchelo adecuadamente de acuerdo con la normativa federal y/o local. En caso de perforarse cualquier tubo, siga todas las instrucciones de uso cuidadosamente.

# INSTALACIÓN



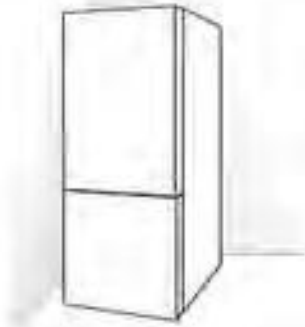
## ATENCIÓN

- Al utilizar este aparato, siga las precauciones básicas para reducir el riesgo de descarga eléctrica, explosión, incendio, lesiones graves o muerte.
- No dañe el circuito de refrigerante.
- Conecte este producto solo a una toma eléctrica conectada a tierra apta para uso con este producto (115 V, 60 Hz, solo CA). Es responsabilidad del usuario sustituir una toma de pared de dos clavijas estándar por una toma de pared de tres clavijas (conectada a tierra) estándar. Asegúrese de que el electrodo de conexión a tierra esté equipado con una línea de conexión a tierra adecuada.
- No retire la clavija de conexión a tierra del cable eléctrico.
- No utilice ningún cable alargador.
- No utilice ningún adaptador en la toma de pared.
- No retire el enchufe usando el cable eléctrico. Sujete firmemente el enchufe y retírelo de la toma.
- Mantenga los materiales fuera del alcance de los niños. El material de embalaje puede ser peligroso para los niños al existir un riesgo de asfixia.
- Al desplazar el aparato, tenga cuidado de no enrollar, torcer, apretar o dañar el cable eléctrico.
- No coloque aparatos eléctricos encima del aparato.
- Para evitar lesiones o daños al aparato, la instalación deberán realizarla dos personas.
- No coloque objetos pesados encima del aparato ya que podrían caerse y provocar lesiones cuando se abra la puerta del aparato.
- No instale el aparato en un lugar húmedo o con polvo, ya que las partes eléctricas o de aislamiento se podrían deteriorar.
- No coloque el aparato a la luz directa del sol ni lo exponga al calor de aparatos que se calienten, como fogones o estufas.
- No coloque objetivos inflamables, explosivos, volátiles o altamente corrosivos en el aparato para evitar dañarlo y evitar lesiones o la muerte. Mantenga los materiales y los vapores, como la gasolina y el alcohol, alejados del aparato.

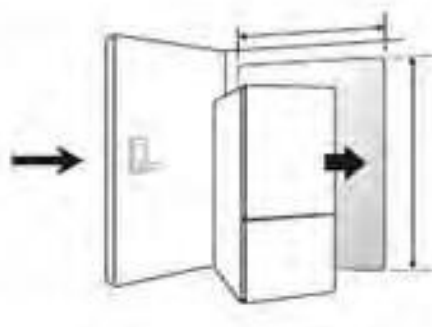


## CUIDADO

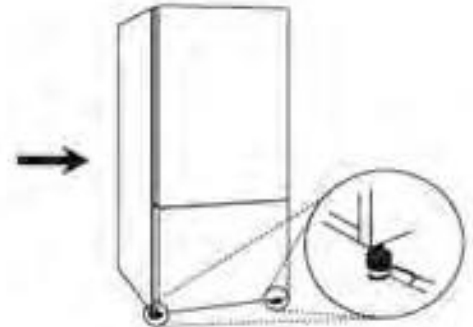
- No utilice instrumentos puntiagudos, ni frote con alcohol, líquidos inflamables ni productos de limpieza abrasivos para retirar cinta adhesiva o cola. Estos productos pueden dañar la superficie de su aparato.
- Mantenga las aperturas de ventilación libres de obstrucciones.
- No utilice una toma que se pueda apagar mediante un interruptor.
- El aparato DEBE colocarse en posición vertical durante 24 horas antes de conectarlo a la toma eléctrica.
- Instale el aparato en una habitación seca y bien ventilada. La temperatura ambiente debería situarse entre 18 °C y 38 °C (64 °F y 100 °F).
- El aparato es pesado. Proteja el suelo al desplazar el aparato para su limpieza y mantenimiento.
- Tire siempre del aparato directamente hacia usted cuando deba desplazarlo. No contonee ni maniobre el aparato, ya que podría dañar el suelo.
- Nunca levante ni desplace el frigorífico por la puerta.



DESEMBALAR

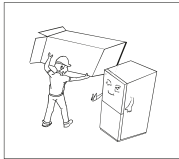


ELEGIR UBICACIÓN



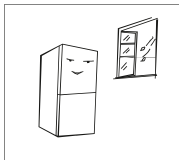
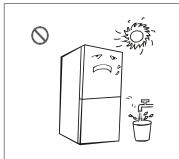
NIVELAR PATAS

### Retirar el embalaje



- Retire la cinta y cualquier etiqueta provisional de su refrigerador antes de usarlo. No retire ninguna etiqueta de aviso, las etiquetas de modelo y número de serie ni el diagrama del circuito del aparato, ya que podría anular la garantía.
- Retire cuidadosamente la película de plástico de protección de las puertas y del refrigerador.
- Si es necesario, utilice cuidadosamente pinzas u otros instrumentos pequeños para empezar a retirar la película en los cantos.

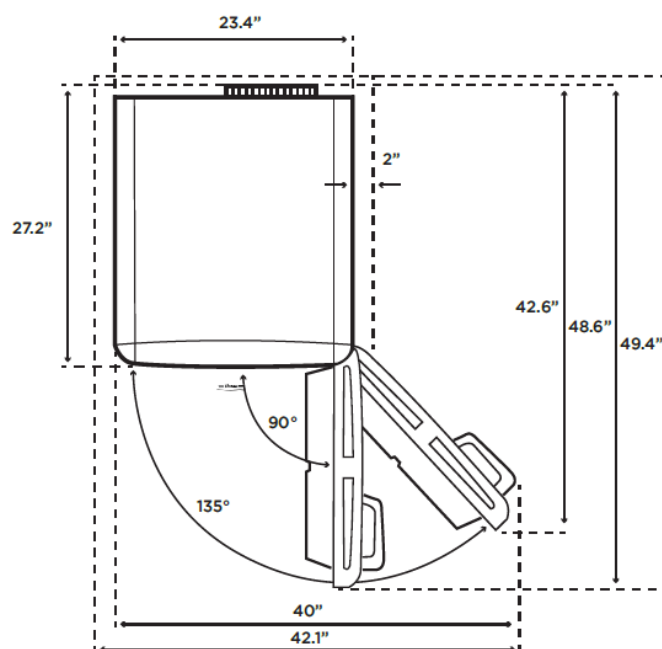
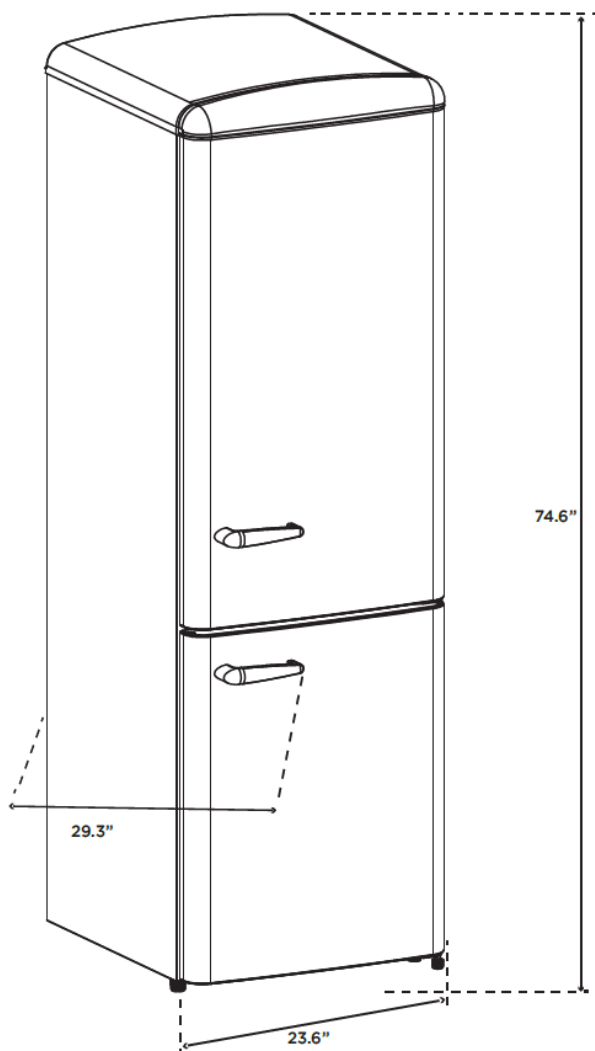
### Ubicación del aparato



- para evitar ruidos y vibración, el aparato deberá instalarse y nivelarse sobre un suelo sólidamente construido. Si es necesario, ajuste las patas de nivelación para compensar los posibles desniveles del suelo.
- Mantenga el aparato alejado de fuentes de calor y evite la luz solar directa.
- No coloque el aparato en zonas húmedas o mojadas para evitar la corrosión o una reducción de la eficacia de aislamiento.
- Asegúrese de que el aparato esté situado en una ubicación interior y bien ventilada.
- Asegúrese de dejar suficiente espacio alrededor del aparato, según indica el diagrama (pág. 8), para permitir una ventilación adecuada.

**Nota:** No se recomienda la instalación sobre alfombras, superficies de baldosas blandas, una plataforma o estructura de soporte débil. La superficie deberá ser plana y sólida (rotar hacia la izquierda y derecha para ajustar la rueda de nivelación si es inestable).

## DIMENSIONS DU PRODUIT



- Su frigorífico debería instalarse en una superficie plana y nivelada. Mantenga el frigorífico nivelado ajustando las palancas de las patas frontales.

## Dimensiones y espacios libres

- Compruebe las dimensiones del aparato y la ruta de instalación para asegurar que exista suficiente espacio para desplazar el aparato por puertas o aperturas estrechas.
- La ubicación de instalación elegida para el aparato debería dejar espacio detrás de la unidad para conexiones y circulación de aire, además de espacio delante para abrir las puertas.
- Una distancia insuficiente con los objetos adyacentes podría reducir la capacidad de refrigeración y congelación y aumentar el consumo de energía. Deje un mínimo de 48 cm en la parte delantera del aparato para abrir la puerta y un mínimo de 5 cm entre la parte trasera del aparato, los laterales y la pared.

## Nivelación

- El frigorífico tiene dos patas frontales de nivelación. Ajuste las patas para corregir la inclinación frontal/trasera y entre laterales. Si el frigorífico parece inestable o si las puertas no se cierran con facilidad, ajuste la inclinación del frigorífico siguiendo las instrucciones de a continuación:
  1. Haga girar la pata de nivelación en el sentido contrario a las agujas del reloj para levantar ese lado del frigorífico o en el sentido de las agujas del reloj para bajarlo. La pata de nivelación podrá tener que girar varias veces para ajustar la altura del aparato.
  2. Abra la puerta y compruebe que se cierre con facilidad. Si la puerta no se cierra con facilidad, incline el frigorífico ligeramente hacia la parte trasera haciendo girar ambas patas de nivelación en el sentido contrario a las agujas del reloj. Podrá tener que hacerlas girar más veces.

## Posicionamiento del frigorífico

- Coloque el frigorífico de modo que no vibre contra las superficies adyacentes ni contra la pared. Asegúrese de mantener una distancia de 5 cm entre la parte trasera del frigorífico, los laterales y la pared.

# FUNCIONAMIENTO

## Antes del uso



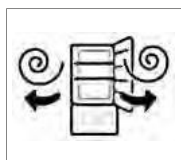
### ATENCIÓN

- Cuando el selector de control esté ajustado a 0 (cero), el aparato seguirá recibiendo alimentación eléctrica. Desconecte la alimentación eléctrica antes de realizar mantenimiento o limpieza para evitar lesiones o la muerte.
- Si se desenchufa el frigorífico, si se apaga o sufre un corte de electricidad, deberá esperar entre 3 y 5 minutos antes de reiniciar la unidad. Si intenta reiniciarla antes de este periodo de tiempo, el frigorífico no se iniciará.



### CUIDADO

- No arañe el aparato con un objeto puntiagudo ni utilice detergente que contenga alcohol, líquido inflamable o un producto abrasivo al retirar cualquier cinta o adhesivo del aparato.



- No quite la etiqueta del modelo o número de serie ni el diagrama de cableado de la superficie trasera del aparato ya que podría anular la garantía.

- Abra las puertas del aparato para ventilar el interior. Podría tener olor a «coche nuevo».

- Limpie el aparato rigurosamente frotando todas las superficies con un paño suave y detergente neutro.

- El aparato podría producir un ruido fuerte tras la operación inicial. Es normal y desaparecerá cuando disminuya la temperatura.

- Retire cualquier cinta adhesiva del interior del aparato y abra las puertas para ventilar.



## Pantalla del panel de control

Dependiendo del modelo, algunas de las funciones siguientes podrán no estar disponibles. La pantalla del panel de control podrá diferir según el modelo.



### INICIANDO EL FRIGORÍFICO

Después de que el frigorífico haya sido conectado correctamente a una fuente de energía, el compresor se encenderá automáticamente y el armario comenzará a enfriarse. Permite que el armario se enfríe durante al menos 4 horas antes de añadir alimentos.

### OPERACIÓN

Presiona cualquier tecla por primera vez y se activará el panel de control. Si no se selecciona ningún botón durante un minuto, la pantalla LED se apagará automáticamente.

### MODO

Presiona el botón "Modo" para seleccionar el modo de operación deseado. Los modos disponibles son: Enfriamiento Rápido, Congelación Rápida y Óptimo.

### ENFRIAMIENTO RÁPIDO

La temperatura del frigorífico se ajustará a 35°F y funcionará durante 12 horas. Después de 12 horas, este modo se desactivará automáticamente y se reanudará el funcionamiento normal.

### CONGELACIÓN RÁPIDA

La temperatura del congelador se ajustará a -8°F y funcionará durante 24 horas. Después de 24 horas, este modo se desactivará automáticamente y se reanudará el funcionamiento normal. Nota: El modo de enfriamiento rápido no cambia el modo de congelación rápida.

### ÓPTIMO

Al presionar el botón "Óptimo", se ajustará la temperatura del frigorífico a 35°F y la temperatura del congelador a -1°F. Si se presiona cualquier otro botón, se desactivará el modo "Óptimo".

### FRIGORÍFICO +/-

Presiona el botón "Frigorífico +/-" para ajustar la temperatura de tu frigorífico. Nota: El rango de temperatura para el frigorífico es de 34°F a 44°F.

### CONGELADOR +/-

Presiona el botón "Congelador +/-" para ajustar la temperatura de tu congelador. Nota: El rango de temperatura para el congelador es de 6°F a -8°F. Cuando se selecciona la temperatura deseada, los números parpadearán 5 veces para confirmar. Si se selecciona otro modo durante ese período de parpadeo, el cambio se aplicará inmediatamente.

### SELECCIÓN DE CELSIUS Y FAHRENHEIT

Mantén presionados los botones "Fridge +/-" y "Freezer +/-" para cambiar entre Celsius y Fahrenheit.

### ALARMA DE PUERTA

Mantén presionado el botón "Modo" durante 3 segundos para desactivar la función de alarma de



puerta. Nota: la función de alarma de puerta se reactivará si la puerta se deja abierta durante más de 3 minutos y emitirá 3 pitidos cada 3 minutos hasta que la puerta se cierre. El sonido se detendrá después de 10 minutos si la puerta no se cierra.

## **LUZ INTERIOR**

La luz LED interior está situada en el techo interior del compartimento del frigorífico, se encenderá cuando se abra la puerta del electrodoméstico y se apagará cuando se cierre la puerta. Si la luz interior se apaga, ponte en contacto con un técnico de servicio certificado para que la reemplace.

Nota: El funcionamiento del electrodoméstico no se ve afectado si la luz no funciona.

## **INSTRUCCIONES DE NIVELACIÓN**

En la parte inferior del frente del electrodoméstico hay patas ajustables que se pueden girar hacia arriba o hacia abajo para asegurarse de que el electrodoméstico esté nivelado.

Gira la pata de nivelación en sentido contrario a las agujas del reloj hasta que llegue al tope y la parte superior del pie toque la parte inferior del gabinete. Gira lentamente la pata de nivelación en sentido de las agujas del reloj hasta que el electrodoméstico esté nivelado.

## **APERTURA Y CIERRE DE LA PUERTA**

Las puertas están equipadas con tiras de sellado uniformes para evitar la entrada de aire caliente y humedad en los compartimentos del frigorífico y el congelador. Asegúrate de que las puertas y los sellos de las puertas estén libres de obstrucciones y formen un sello completo alrededor del borde de los gabinetes del frigorífico/congelador. El exceso de carga y/o una instalación desigual del electrodoméstico evitará un buen sellado. Puede resultar difícil abrir la puerta inmediatamente después de cerrarla debido a la contracción del aire en los gabinetes del frigorífico/congelador. Esta diferencia de presión se igualará en unos segundos, lo que facilitará la apertura de las puertas una vez más.

## **CARGA DEL FRIGORÍFICO Y EL CONGELADOR**

Evita empacar los alimentos demasiado cerca de las placas de enfriamiento ubicadas en la pared posterior del frigorífico/congelador. Permite que el aire circule alrededor de estas placas para asegurar un funcionamiento adecuado. Cuando añadas alimentos sin congelar al congelador por primera vez, llénalo solo hasta 1/3 de su capacidad y espera hasta que esos alimentos estén suficientemente congelados antes de agregar más. También ayudará a enfriar los alimentos más rápidamente si están envasados en recipientes más pequeños en lugar de grandes. Los paquetes de alimentos con más de 2 pulgadas de grosor se enfriarán lentamente. Evita colocar alimentos calientes en contacto con alimentos fríos.

## **SONIDOS DE FUNCIONAMIENTO NORMAL**

Puede que escuches sonidos suaves de burbujeo o gorgoteo cuando el refrigerante se bombea a través de las bobinas de refrigerante. Cuando el compresor está encendido, el refrigerante se bombea a través del electrodoméstico y escucharás un sonido de zumbido o pulsación proveniente del compresor. Un termostato controla el compresor y puede que escuches un "clic" cuando el termostato se activa y se desactiva.

**IMPORTANTE:** Tu electrodoméstico es "Libre de escarcha" y no requiere descongelación.

## **RECIPIENTE DE RECOLECCIÓN DE AGUA**

Hay un recipiente de recolección de agua ubicado en la parte trasera del refrigerador para el exceso de agua. En un refrigerador sin escarcha, el agua fluirá desde las paredes del compartimento del refrigerador, a través del desagüe del agua de descongelación, hasta el recipiente de recolección. La bobina caliente del condensador se introduce en el recipiente de recolección de agua y evapora lentamente el agua. Nota: si el refrigerador debe moverse después de algún tiempo, es mejor quitar

primero el agua del recipiente de recolección.

### **LIMPIEZA INTERNA**

Lave el interior del electrodoméstico con agua tibia y un jabón suave. Nunca use agentes de limpieza abrasivos o corrosivos, estropajos de acero, esponjas abrasivas, productos químicos de limpieza o productos de limpieza altamente perfumados para limpiar el interior, ya que dañarán la superficie y dejarán un fuerte olor. Se recomienda usar una esponja, toalla o cepillo suave. Lave con una mezcla de dos cucharadas (30 ml) de bicarbonato de sodio por cada litro (1.14L) de agua tibia. Después de limpiar, limpie todas las superficies con un paño suave y agua limpia para enjuagar, y permita que el refrigerador/congelador se seque.

### **LIMPIEZA EXTERNA**

Lave el exterior del gabinete con agua tibia y un jabón o detergente suave. No use agentes de limpieza abrasivos o corrosivos, productos químicos de limpieza, estropajos de acero o esponjas abrasivas para limpiar el refrigerador, ya que pueden dañar las superficies.

### **FALLO DE ENERGÍA**

La mayoría de las interrupciones de energía se solucionan en unas pocas horas y no deberían afectar la temperatura interna del electrodoméstico si se mantiene el número de veces que se abre la puerta al mínimo. Si la energía va a estar cortada por un período de tiempo más prolongado, tome las medidas adecuadas para proteger el contenido. Nota: Espere de 3 a 5 minutos antes de intentar reiniciar el refrigerador si se interrumpe la operación. No hacer esto puede dañar su refrigerador y anular la garantía.

### **VACACIONES**

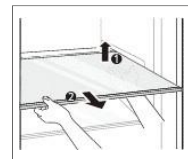
- Vacaciones cortas: Deje el electrodoméstico funcionando durante vacaciones de menos de tres semanas.
- Vacaciones largas: Si el electrodoméstico no se va a usar durante varios meses, retire todos los elementos y desconecte el electrodoméstico de su fuente de energía. Limpie y seque completamente el interior. Para evitar olores y crecimiento de moho, deje la puerta abierta ligeramente, bloqueándola si es necesario.

### **MUDANZA**

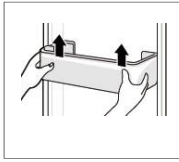
- Retire todos los elementos.
- Fije con cinta adhesiva los estantes del interior del electrodoméstico.
- Gire la pata ajustable hacia la base para evitar daños.
- Selle la puerta con cinta adhesiva.
- Asegúrese de que el electrodoméstico se mantenga en posición vertical durante el transporte. Proteja el exterior del electrodoméstico con una manta.
- Si el electrodoméstico se coloca boca abajo o de lado durante el transporte, al llegar al destino, permita que permanezca en posición vertical durante 6 horas antes de enchufarlo para evitar daños en los componentes internos.

### **Repisas de vidrio**

- Las repisas de vidrio se pueden colocar a la altura deseada por el usuario..
- Para reposicionar una repisa, deslícela suavemente hacia afuera, hacia usted.
- Inclíne ligeramente el frente de la repisa hacia arriba para sacarla por completo.
- Vuelva a instalar suavemente la repisa en la posición deseada invirtiendo este paso.

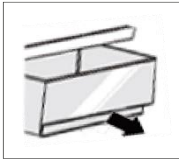


## Repisas de la puerta



- Las repisas de la puerta se utilizan generalmente para guardar objetos más pequeños.
- Las repisas de la puerta se pueden quitar para limpiar.
- Levante suavemente la repisa utilizando ambas manos colocadas en ambos extremos de la repisa. Levante ambos lados de manera uniforme para evitar atascos o causar daños en la repisa o en el panel del refrigerador.
- Vuelva a instalar la repisa asegurándose de que esté bajada de manera uniforme y horizontal. Golpee suavemente la repisa para asegurarse de que esté correctamente colocada.

## Cajón para verduras



- El cajón para verduras se utiliza normalmente para guardar vegetales y frutas, y se puede sacar para su limpieza.



### **PRECAUCIÓN**

**Tenga cuidado al mover las repisas, los cajones y las repisas de la puerta para evitar roturas.**

## CONSEJOS DE AHORRO DE ENERGÍA

- No instale el frigorífico cerca de fuentes de calor, como un fogón, caldera, estufa, chimenea, etc. y evite exponer el aparato a la luz solar directa.
- Sitúe el aparato en una habitación fría y bien ventilada y asegúrese de no obstaculizar las salidas de aire de la tapa del compresor. También debe dejar el espacio adecuado alrededor del aparato para la circulación del aire (5 cm).
- Evite congelación innecesaria dentro del aparato embalando toda la comida y líquidos en paquetes y recipientes herméticos.
- Mantenga siempre la comida almacenada en paquetes y recipientes sellados herméticamente y deje cierto espacio para que el aire circule alrededor de cada objeto.
- Evite dejar la puerta abierta durante periodos prolongados de tiempo así como abrir la puerta con demasiada frecuencia, ya que podría entrar aire caliente en el aparato y provocar el funcionamiento innecesario del compresor.

# LIMPIEZA



## ATENCIÓN

- Desenchufe el aparato de la alimentación eléctrica antes de realizar la limpieza.
- No utilice grandes cantidades de agua ni de líquido al limpiar el aparato; podría afectar los componentes eléctricos y las propiedades de aislamiento del aparato.



## CUIDADO

- No utilice detergentes ni sustancias inflamables como alcohol, aclarador, lejía u otros líquidos inflamables para limpiar el aparato.
- Las soluciones de limpieza que contengan abrasivos, ácidos o disolventes no son adecuadas para la limpieza y pueden dañar el frigorífico y provocar descoloración. No utilice estos tipos de productos de limpieza.
- No utilice objetos puntiagudos al limpiar el aparato, ya que podrían rayarlo.
- No retire ni dañe ninguna etiqueta de modelo y número de serie de las superficies del aparato, ya que podría anular la garantía.
- Se recomienda la limpieza periódica del aparato para evitar olores y asegurar un funcionamiento eficiente de la unidad, incluidas superficies interiores, como paredes interiores, estantes y estantes de puerta, así como componentes exteriores como juntas de puerta, manetas, laterales y el condensador.
- Utilice un paño suave y húmedo con detergente neutro para limpiar todas las superficies.
- Las partes extraíbles como estantes, cajones y estantes de puerta se pueden retirar para limpiarlas.
- Limpie inmediatamente los líquidos derramados.
- Las superficies deben secarse después de su limpieza.



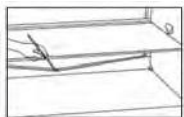
## CUIDADO

Tenga cuidado al mover estantes, cajones y estantes de la puerta para evitar que se rompan.

## Limpieza exterior

- Compruebe y limpie la junta de la puerta periódicamente para asegurar que no se acumulen residuos.
- Las superficies exteriores del aparato también se pueden limpiar con un paño suave y húmedo con detergente neutro.
- Limpie periódicamente el polvo que se acumule debajo y detrás del aparato para mejorar la eficiencia de refrigeración.

## Puerto de drenaje de agua descongelada



- La apertura de drenaje que recoge humedad y hielo descongelado se sitúa cerca de la parte inferior del aparato.
- Al limpiar el aparato, asegúrese de que la apertura no esté atascada. Inspecciónela y límpiela con frecuencia (es decir, con una paja de plástico).

## Colector de agua

- Existe un colector de agua situado encima del compresor para recoger el exceso de agua.
- Al descongelar, el agua fluirá del compartimento del frigorífico a través del desagüe de agua descongelada hasta el colector.



### CUIDADO

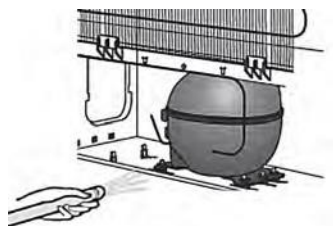
- Tenga cuidado al realizar una descongelación completa, porque el colector de agua podría derramarse. Puede utilizar una esponja absorbente para retirar el agua.
- No intente retirar el colector de agua del aparato.

## Cavidad del compresor



### ATENCIÓN

- Apague el aparato y desconéctelo de la alimentación antes de proceder a limpiar la cavidad del compresor.
- Tenga extremo cuidado al limpiar esta parte del aparato, ya que contiene componentes eléctricos y mecánicos, así como tubos de refrigerante delicados que no deben dañarse.



- La zona de cavidad del compresor puede limpiarse con un aspirador equipado con un cepillo suave o boquilla estrecha.
- Aspire cuidadosamente el polvo que se haya acumulado en esta zona.

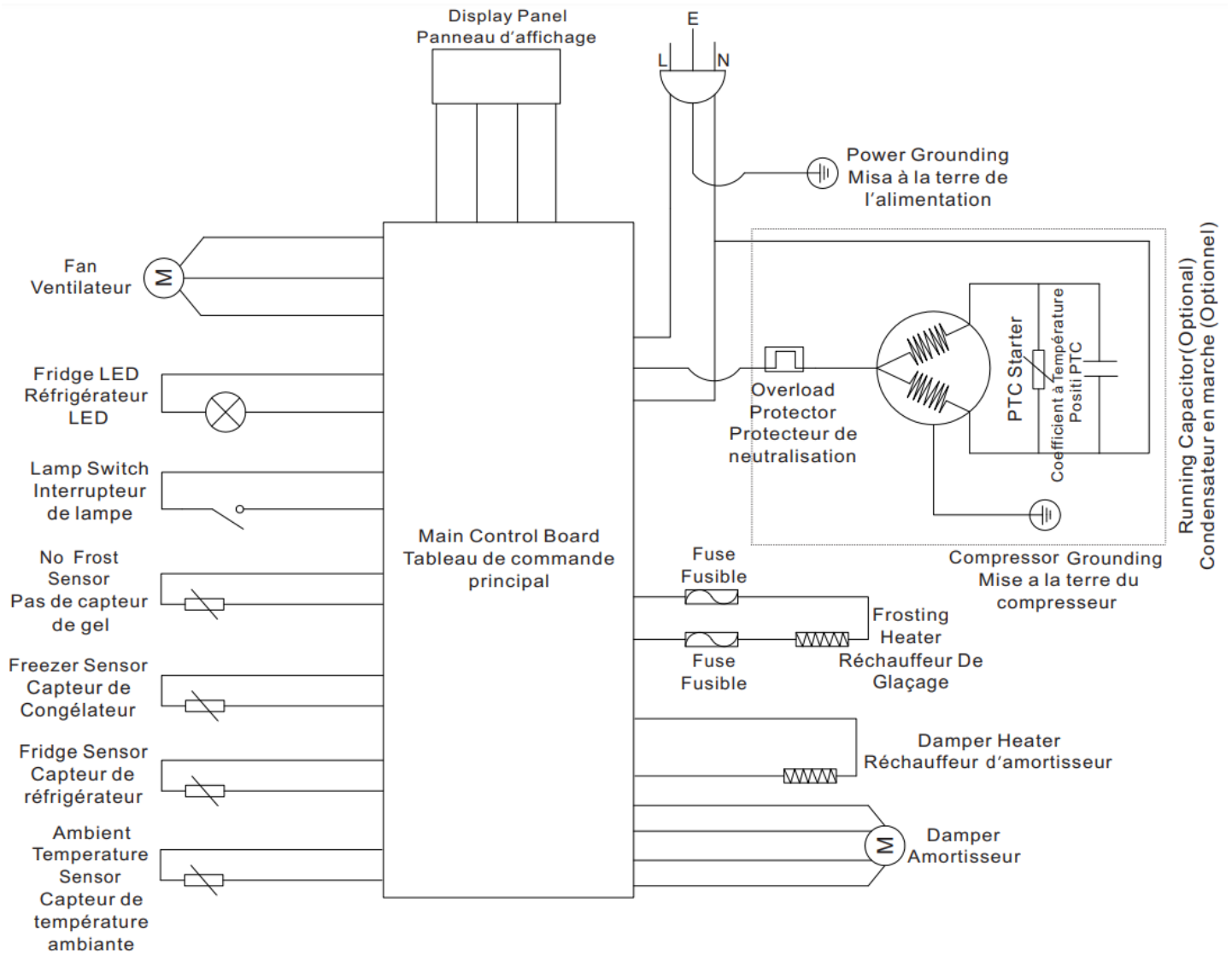
## RESOLUCION DE PROBLEMAS

PROBLEMA	POSIBLE CAUSA O SOLUCIÓN
<b>El aparato está conectado pero no funciona:</b>	<ul style="list-style-type: none"> <li>• Asegúrese de que el aparato esté conectado y que la toma proporcione alimentación.</li> <li>• Confirme que el disyuntor o fusible no haya saltado.</li> <li>• Confirme que el termostato esté configurado entre 1 y 7.</li> </ul>
<b>El sistema de refrigeración funciona continuamente durante largos periodos de tiempo:</b>	<ul style="list-style-type: none"> <li>• La temperatura ambiente es demasiado alta.</li> <li>• Se ha abierto la puerta con demasiada frecuencia o durante demasiado tiempo.</li> <li>• La puerta no se ha cerrado correctamente (cierre desalineado, dañado o sucio).</li> <li>• Se ha añadido una gran cantidad de comida de repente.</li> <li>• El sensor de temperatura ha quedado bloqueado por comida y evita la correcta circulación del aire.</li> <li>• Asegúrese de cumplir las distancias recomendadas.</li> <li>• Asegúrese de dejar espacio para la adecuada circulación de aire detrás del aparato.</li> </ul>
<b>Excesiva acumulación de aire en la pared trasera:</b> (Nota: es normal que se acumule una cierta humedad)	<ul style="list-style-type: none"> <li>• Se ha abierto la puerta con demasiada frecuencia o durante demasiado tiempo.</li> <li>• Se ha colocado comida caliente en el frigorífico.</li> <li>• Se ha colocado comida contra la pared trasera del frigorífico.</li> <li>• Puerta no cerrada herméticamente.</li> <li>• El sello de la puerta está dañado o sucio. Sustituya o limpie el sello.</li> <li>• Ambiente extremadamente húmedo.</li> </ul>
<b>Acumulación de hielo en el congelador:</b>	<ul style="list-style-type: none"> <li>• Se ha abierto la puerta con demasiada frecuencia o durante demasiado tiempo</li> <li>• La puerta no se ha cerrado correctamente.</li> <li>• Puerta no cerrada herméticamente.</li> <li>• El sello de la puerta está dañado o sucio. Sustituya o limpie el sello.</li> <li>• Ambiente extremadamente húmedo.</li> </ul>
<b>La puerta no se cierra:</b>	<ul style="list-style-type: none"> <li>• Compruebe y limpie la junta de la puerta periódicamente para asegurar que no se acumulen residuos.</li> <li>• Asegúrese de que no se acumule hielo que impida el cierre de la puerta. Puede ser necesario descongelarlo.</li> </ul>
<b>Dificultad de apertura de puerta:</b>	<ul style="list-style-type: none"> <li>• Limpie las juntas de la puerta y las superficies de contacto con jabón neutro y agua caliente.</li> <li>• Añada soportes antideslizantes a las patas del frigorífico si se desliza sobre el suelo.</li> </ul>
<b>Acumulación de agua en la parte inferior del frigorífico:</b>	<ul style="list-style-type: none"> <li>• Puerto de drenaje de agua atascado. Con el tiempo, el puerto de drenaje se puede atascar con suciedad y residuos. Haga presión con una pajita de plástico por el agujero para desatascar cualquier suciedad presente.</li> </ul>
<b>La luz LED no funciona:</b>	<ul style="list-style-type: none"> <li>• Llame a un técnico de servicio. No intente repararlo sin ayuda, ya que podría entrar en contacto con alta tensión.</li> </ul>



Para otras consultas de resolución de problemas o para un centro de reparación autorizado de iio™, póngase en contacto con nosotros en: 1-833-446-4461 o por correo electrónico en [service@iio.com](mailto:service@iio.com).

# DIAGRAMA ELÉCTRICO





## GARANTÍA

iiio™ garantiza que todos los frigoríficos estarán libres de defectos en materiales o en mano de obra durante un periodo de UN AÑO a partir de la fecha de compra original.

NO EXISTEN OTRAS GARANTÍAS, EXPLÍCITAS O IMPLÍCITAS, INCLUIDAS, SIN LIMITACIÓN, GARANTÍAS DE USO COMERCIAL Y APTITUD PARA UN FIN ESPECÍFICO.

El comprobante de compra/factura original podrá ser necesario para reclamar dentro de la garantía. Mantenga una fotocopia a su alcance.

Si la casa en la que está instalado el frigorífico se vende dentro del periodo de garantía, el nuevo propietario estará protegido hasta la caducidad de la garantía del comprador original. Durante este periodo de un año, iiio™, a su propio criterio reparará o sustituirá, sin cargo, cualquier producto o pieza que resulte defectuosa tras un uso y mantenimiento normales.

### La presente garantía no cubre:

- a) el mantenimiento y servicio normales;
- b) cualquier producto o pieza que haya estado sujeta a un uso incorrecto, negligencia, accidente, mantenimiento o reparación incorrectos (excepto los realizados por un centro de reparación autorizado por iiio™), mala instalación o instalación que incumpla las instrucciones de instalación recomendadas;
- c) daños cosméticos.

LA OBLIGACIÓN DE iiio™ DE REPARAR O SUSTITUIR, A CRITERIO DE iiio™, CONSTITUIRÁ EL ÚNICO Y EXCLUSIVO REMEDIO DEL COMPRADOR BAJO LA PRESENTE GARANTÍA. iiio™ NO SE HARÁ RESPONSABLE POR DAÑOS INCIDENTALES, DERIVADOS O ESPECIALES COMO CONSECUENCIA DE O EN CONEXIÓN CON EL USO O RENDIMIENTO DEL PRODUCTO.

Esta garantía se aplica solo a América del Norte, a frigoríficos instalados para USO POR FAMILIAS INDIVIDUALES PRIVADAS. Si se utiliza para USO COMERCIAL, POR MÚLTIPLES FAMILIAS o para cualquier otro fin, la garantía quedará anulada.

La retirada o deformación de la placa de serie anulará la garantía. El comprador se hará responsable de cualquier gasto adicional necesario para hacer que el frigorífico esté accesible para mantenimiento. El comprador se hará responsable de cualquier cargo adicional en el caso en que la instalación se realice en una ubicación remota, como carreteras de mantenimiento privado, islas y zonas rurales, 20 km fuera de una zona metropolitana o donde no esté disponible ningún técnico. Los daños por flete no están cubiertos por esta garantía.



OFRECEMOS GARANTÍAS EXTENDIDAS DE HASTA 5 AÑOS A PRECIOS EXTREMADAMENTE RAZONABLES. ¡AÚN CALIFICA HASTA 9 MESES DESPUÉS DE LA COMPRA!

<https://store.iioKitchen.com/collections/extended-warranties>

Para un centro de reparación autorizado de iiio™, póngase en contacto con nosotros en: 1-833-446-4461 o puede visitar [www.iioKitchen.com](http://www.iioKitchen.com) para más información.





Nos esforzamos al máximo para asegurar que la información facilitada sea exacta y completa; sin embargo, las imágenes y especificaciones están sujetas a cambios sin previo aviso. Visite [www.iiokitchen.com](http://www.iiokitchen.com) para descargarse la última versión del manual del usuario.

## TABLE DES MATIÈRES

1. Merci d'avoir choisi iio .....	pág. 2	7. Conseils pour économiser l'énergie	pág 15
2. Aperçu du produit .....	pág. 3	8. Nettoyage.....	pág 16
3. Notes de sécurité importantes	pág. 4	9. Résolution de problèmes .....	pág 18
4. Installation .....	pág. 6	10. Schéma électrique .....	pág 19
5. Dimensions du produit.....	pág. 8	11. Garantie .....	pág 20
6. Fonctionnement.....	pág. 10	12. Informations de votre appareil.....	pág 21

## MERCI D'AVOIR CHOISI IIO

*Félicitations pour votre achat!* Nous vous remercions et vous sommes reconnaissants de la confiance que vous nous avez accordée à nous ainsi qu'à nos produits.

Vous venez d'acheter l'un des réfrigérateurs les plus efficaces du marché. Nous sommes fiers de ce réfrigérateur bien conçu et nous pensons qu'il vous offrira des années de service fiable.

Chez iio™, nous concevons nos appareils en tenant compte à la fois de l'espace et de l'efficacité énergétique. Notre mission consiste à créer une gamme d'appareils électroménagers élégants qui s'adaptent à votre vie, à votre style, aux contraintes de l'espace, aux goûts, aux aspirations écologiques, aux besoins fonctionnels, au budget et à la façon de faire les courses. Nous voulons contribuer à transformer tout espace où vous vivez en un véritable chez-soi.

Enregistrez votre réfrigérateur à l'adresse suivante: [www.iioKitchen.com](http://www.iioKitchen.com).

Pour toute demande de renseignements, contactez-nous au 1-833-446-4461

ou rendez-vous sur [www.iioKitchen.com](http://www.iioKitchen.com) pour obtenir des informations supplémentaires concernant votre appareil.



### **Prolongez votre garantie dès aujourd'hui!**

- Recevez une extension de garantie allant jusqu'à 1 mois en envoyant une photo et jusqu'à 2 mois en envoyant une vidéo (sous réserve de vérification).

### **Afin d'être acceptées:**

- La photo téléchargée doit démontrer l'utilisation ou l'application du produit dans un cadre naturel, et doit montrer clairement le produit d'un point de vue qui n'est pas déjà montré sur le site.
- La vidéo doit durer au moins 30 secondes, montrer clairement le produit utilisé dans un cadre naturel et inclure un commentaire audio pertinent sur le produit.
- La photo ou la vidéo doivent être d'une qualité suffisante, aux yeux de la direction de iio™, pour pouvoir être utilisées sur notre site web et dans d'autres matériels promotionnels.
- En envoyant la photo et la vidéo, vous nous autorisez à utiliser ce matériel de manière illimitée, partout où nous en avons besoin, sans frais supplémentaires.

## APERÇU DU PRODUIT

- Les images figurant dans ce guide peuvent différer des composants et accessoires réels, qui sont susceptibles d'être modifiés sans avertissement préalable à des fins d'amélioration du produit.

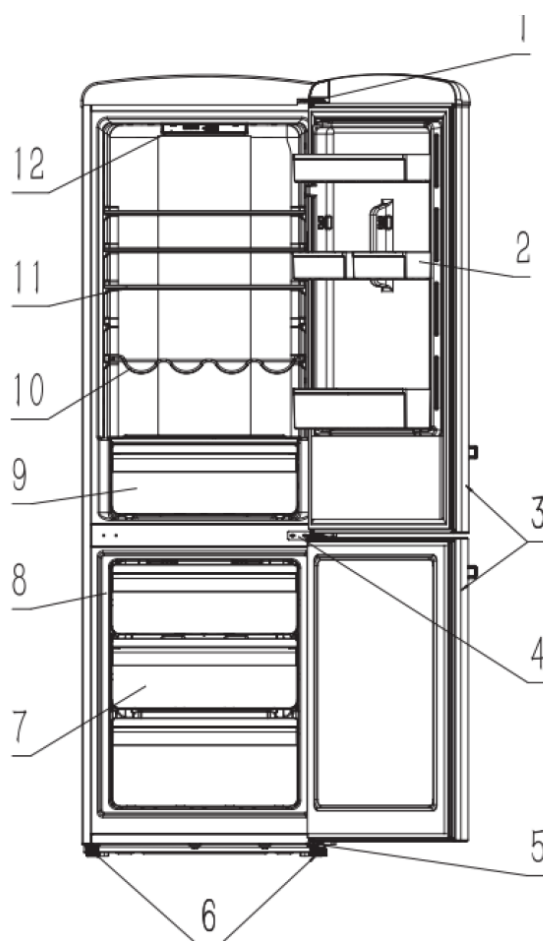
**NOTE:** L'apparence des composants de l'appareil peut varier d'un modèle à l'autre.

- Le réfrigérateur est destiné à conserver les aliments frais à des températures supérieures à 0 °C (32 °F).
- La température de l'appareil peut être modifiée en ajustant les réglages du thermostat.
- Le compartiment congélateur est destiné à la congélation des aliments frais et déjà congelés et à leur conservation à long terme. La durée de conservation dépend du type d'aliments.

### FEATURES:

- 1: Upper hinge
- 2: Detachable door shelf
- 3: Doors
- 4: Middle hinge
- 5: Lower hinge
- 6: Adjustable feet

- 7: Freezer drawers
- 8: Freezer compartment
- 9: Crisper
- 10: Wine rack
- 11: Shelf
- 12: Control panel



## NOTES DE SÉCURITÉ IMPORTANTES

Veillez toujours lire et suivre tous les messages de sécurité.

### VEUILLEZ LIRE TOUTES LES INSTRUCTIONS AVANT L'UTILISATION.



**Symbole d'alerte** – affiche **ATTENTION** ou **AVERTISSEMENT** à côté de l'instruction. Les messages comportant le symbole d'alerte vous informeront du danger potentiel, vous donneront des conseils pour éviter le danger et vous informeront des conséquences possibles si vous ne suivez pas l'instruction.

**ATTENTION – VOUS POUVEZ ÊTRE TUÉ, GRAVEMENT BLESSÉ OU ENDOMMAGER L'APPAREIL SI VOUS NE SUIVEZ PAS LES INSTRUCTIONS.**

**AVERTISSEMENT - VOUS RISQUEZ DE VOUS BLESSER OU D'ENDOMMAGER L'APPAREIL SI VOUS NE SUIVEZ PAS LES INSTRUCTIONS.**



### ATTENTION

- Utilisation d'un réfrigérant inflammable. À réparer uniquement par des techniciens qualifiés. Ne percez pas les tuyaux de réfrigérant ou d'autres pièces qui utilisent du réfrigérant. Consultez le manuel d'utilisation avant d'entreprendre toute réparation. Toutes les précautions de sécurité doivent être respectées.
- Lorsque vous utilisez cet appareil, suivez les précautions de base pour réduire le risque de choc électrique, d'explosion, d'incendie, de blessure grave ou de mort.
- Ne placez pas de produits inflammables, explosifs, volatils et très corrosifs à l'intérieur de l'appareil afin d'éviter de l'endommager et de prévenir les blessures ou la mort. Conservez les matériaux et les vapeurs, tels que l'essence et l'alcool, à l'écart de l'appareil.
- Utilisez un produit de nettoyage ininflammable pour nettoyer l'appareil.
- N'utilisez pas d'appareils électriques (par exemple, sèche-cheveux ou ventilateur) dans les compartiments des appareils.
- Débranchez l'appareil avant l'entretien ou le nettoyage.
- Cet appareil n'est pas destiné à être utilisé par des enfants de moins de 8 ans.
- Les enfants ne doivent pas jouer avec l'appareil. Ne laissez aucun enfant entrer, grimper sur l'appareil ou jouer avec les portes de l'appareil.
- Ne permettez pas aux enfants de jouer dans le réfrigérateur, sur le réfrigérateur ou à proximité. Il ne s'agit pas d'un jouet. **RISQUE D'ÉTOUFFEMENT SI UN ENFANT EST COINCÉ À L'INTÉRIEUR.**
- Lorsque l'appareil n'est pas utilisé, verrouillez ou retirez les portes pour empêcher les enfants de jouer à l'intérieur
- Risque que des enfants soient enfermés. Avant de jeter un vieil appareil, retirez la ou les portes, retirez les clayettes pour empêcher les enfants d'entrer à l'intérieur.
- Cet appareil n'est pas destiné à être utilisé par des personnes (y compris des enfants) dont les capacités physiques, sensorielles ou mentales peuvent être différentes ou réduites, ou qui manquent d'expérience ou de connaissances, sauf si ces personnes sont supervisées ou formées à l'utilisation de l'appareil par une personne responsable de leur sécurité.
- Le nettoyage et l'entretien courant ne doivent pas être effectués par des enfants sans surveillance.





## AVERTISSEMENT

- L'appareil DOIT rester en position verticale pendant 24 heures avant d'être branché.
- Remplacez toutes les pièces et les plaques de l'appareil avant de l'utiliser.
- Pour éviter toute blessure, il faut au moins deux personnes pour déplacer et installer l'appareil.
- Ne soulevez ou ne déplacez jamais le réfrigérateur en le tenant par la porte.

### **Proposition 65: Avertissement pour les résidents de Californie**



**AVERTISSEMENT : Ce produit peut contenir des produits chimiques reconnus par l'État de Californie comme pouvant causer le cancer, des malformations congénitales ou d'autres troubles de la reproduction.**



**Élimination appropriée conformément aux réglementations fédérales et/ou locales. En cas de perforation d'un tube, suivez attentivement toutes les instructions de manipulation.**

# INSTALLATION



## ATTENTION

- Lorsque vous utilisez cet appareil, suivez les précautions de base pour réduire le risque de choc électrique, d'explosion, d'incendie, de blessure grave ou de mort.
- N'endommagez pas le circuit de réfrigération.
- Ne branchez ce produit qu'à une prise électrique dédiée, mise à la terre et prévue pour être utilisée avec ce produit (115 V, 60 Hz, CA uniquement). Il incombe à l'utilisateur de remplacer une prise murale standard à 2 broches par une prise murale standard à 3 broches (mise à la terre). Assurez-vous que l'électrode de terre est équipée d'une ligne de mise à la terre fiable.
- Ne retirez pas le contact de terre du cordon d'alimentation.
- N'utilisez pas de rallonge électrique.
- N'utilisez pas d'adaptateur sur la prise murale.
- Ne retirez pas la fiche en tirant sur le cordon d'alimentation. Tenez fermement la fiche et retirez-la de la prise.
- Gardez les matériaux d'emballage hors de portée des enfants. Les matériaux d'emballage peuvent être dangereux pour les enfants, en raison du risque de suffocation.
- Lorsque vous déplacez l'appareil, veillez à ne pas rouler, plier, coincer ou endommager le cordon d'alimentation.
- Ne placez pas d'appareils électriques sur l'appareil.
- Afin d'éviter toute blessure ou tout dommage à l'appareil, l'installation doit être effectuée par deux personnes.
- Ne placez pas d'objets lourds sur l'appareil, car ils peuvent tomber et causer des blessures lorsque la porte de l'appareil est ouverte.
- N'installez pas l'appareil dans un endroit humide ou poussiéreux où l'isolation ou les pièces électriques peuvent se détériorer.
- Ne placez pas l'appareil en plein soleil et ne l'exposez pas à la chaleur d'appareils de chauffage tels que des poêles ou des radiateurs.
- Ne placez pas de produits inflammables, explosifs, volatils et très corrosifs à l'intérieur de l'appareil afin d'éviter de l'endommager et de prévenir les blessures ou la mort. Conservez les matériaux et les vapeurs, tels que l'essence et l'alcool, à l'écart de l'appareil.



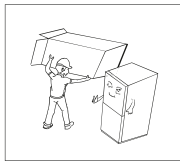
## AVERTISSEMENT

- N'utilisez pas d'instruments tranchants, d'alcool à brûler, de liquides inflammables ou de nettoyants abrasifs pour enlever le ruban adhésif ou la colle. Ces produits peuvent endommager la surface de votre appareil.
- Assurez-vous que les ouvertures de ventilation ne sont pas obstruées.
- N'utilisez pas une prise de courant qui peut être éteinte à l'aide d'un interrupteur.
- L'appareil DOIT rester en position verticale pendant 24 heures avant d'être branché.
- Installez l'appareil dans une pièce sèche et bien ventilée. La température ambiante doit se situer entre 18 °C et 38 °C (64 °F et 100 °F).
- L'appareil est lourd. Protégez le sol lorsque vous déplacez l'appareil pour le nettoyer ou l'entretenir.
- Tirez toujours l'appareil vers l'extérieur lorsque vous le déplacez. Ne secouez pas l'appareil et ne le faites pas « marcher », car le sol pourrait être endommagé.
- Ne soulevez ou ne déplacez jamais le réfrigérateur en le tenant par la porte.



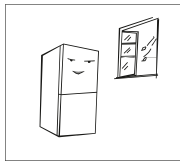
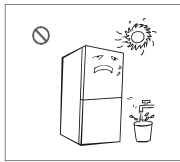


### Retirez l'emballage



- Retirez le ruban adhésif et toute étiquette temporaire de votre réfrigérateur avant de l'utiliser. N'enlevez pas les étiquettes d'avertissement, les étiquettes de numéro de modèle et de série, ni le schéma du circuit de l'appareil, car la garantie serait alors annulée.
- Retirez avec précaution le film plastique de protection des portes et du corps du réfrigérateur.
- Si nécessaire, utilisez avec précaution des pinces ou d'autres petits instruments pour entamer le décollage dans les coins.

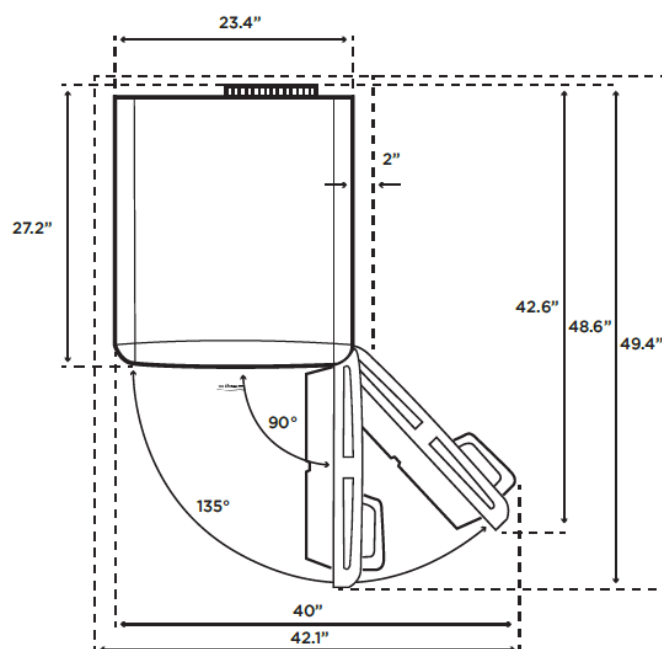
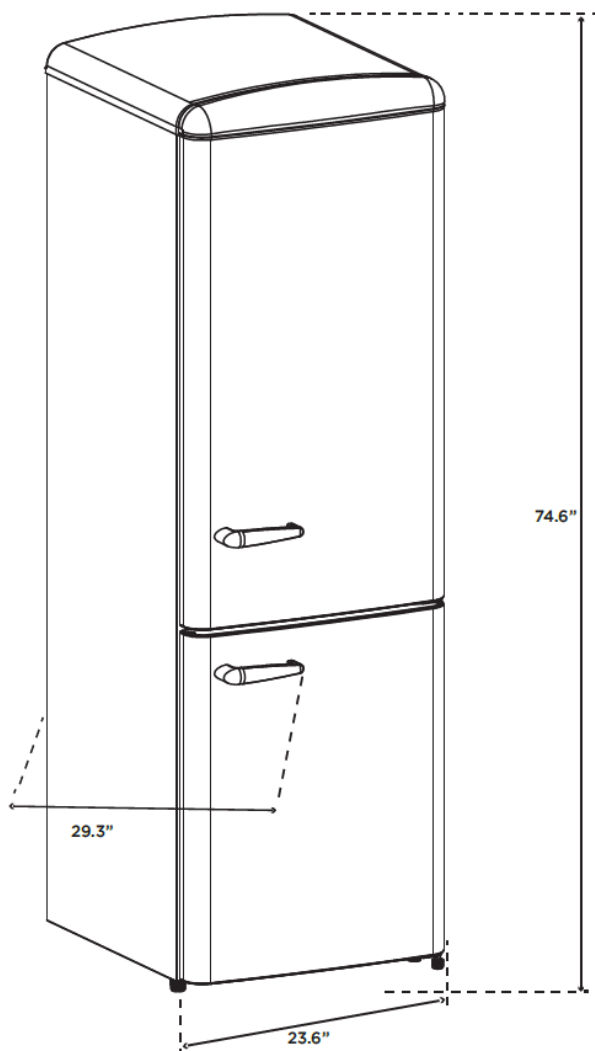
### Emplacement de l'appareil



- Afin d'éviter le bruit et les vibrations, l'appareil doit être installé et réglé sur un sol solide. Si nécessaire, ajustez les pieds de mise à niveau pour compenser les inégalités du sol.
- Tenez-le à l'écart de la chaleur et évitez la lumière directe du soleil.
- Ne placez pas l'appareil dans un endroit humide ou mouillé pour éviter la corrosion ou une diminution de l'efficacité de l'isolation.
- Veillez à ce que l'appareil soit placé dans un endroit intérieur bien ventilé.
- Veillez à ce qu'il y ait suffisamment d'espace autour de l'appareil, comme indiqué dans le diagramme (p. 8), pour permettre une bonne ventilation.

**Note:** L'installation sur de la moquette, des surfaces de carreaux souples, une plate-forme ou une structure faiblement soutenue n'est pas recommandée. La surface doit être plane et solide (tourner à gauche et à droite pour ajuster la roue de mise à niveau si elle est instable).

## DIMENSIONS DU PRODUIT



- Votre réfrigérateur doit être installé sur un sol plat et régulier. Pour garder le réfrigérateur droit, réglez les pieds avant.

## Dimensions et dégagements

- Vérifiez les dimensions de l'appareil et le parcours avant l'installation pour vous assurer qu'il y a suffisamment d'espace pour déplacer l'appareil à travers les portes ou les ouvertures étroites.
- L'emplacement choisi pour l'appareil doit permettre un espace derrière l'appareil pour les connexions et la circulation d'air ainsi qu'un espace devant pour ouvrir les portes.
- Une distance trop courte par rapport aux objets adjacents peut entraîner une réduction de la capacité de refroidissement et de congélation et une augmentation de la consommation d'énergie. Laissez un espace d'au moins 19 pouces (50 cm) devant l'appareil pour ouvrir la porte et un espace d'au moins 2 pouces (5 cm) entre l'arrière de l'appareil, les côtés et le mur.

## Réglage

- Le réfrigérateur est équipé de deux pieds de réglage à l'avant. Ajustez les pieds pour modifier l'inclinaison d'avant en arrière ou d'un côté à l'autre. Si le réfrigérateur semble instable, ou si les portes ne se ferment pas facilement, réglez l'inclinaison du réfrigérateur en suivant les instructions ci-dessous:
  1. Tournez le pied de réglage dans le sens inverse des aiguilles d'une montre pour soulever ce côté du réfrigérateur ou dans le sens des aiguilles d'une montre pour l'abaisser. Le réglage de la hauteur de l'appareil peut nécessiter plusieurs tours du pied de réglage.
  2. Ouvrez la porte et vérifiez qu'elle se ferme facilement. Si la porte ne se ferme pas facilement, inclinez le réfrigérateur légèrement plus vers l'arrière en tournant les deux pieds de réglage dans le sens inverse des aiguilles d'une montre. Cela peut prendre plusieurs tours supplémentaires.

## Positionnement du réfrigérateur

- Placez le réfrigérateur de manière à ce qu'il ne vibre pas contre les surfaces adjacentes ou contre le mur. Veillez à maintenir un espace de 5 cm (2 pouces) entre l'arrière de l'appareil, les côtés et le mur.

# FONCTIONNEMENT

## Avant l'utilisation



### ATTENTION

- Lorsque le bouton de commande est réglé sur 0 (zéro), l'appareil est toujours alimenté. Débranchez l'appareil avant l'entretien ou le nettoyage afin d'éviter les risques de blessures ou de mort.
- Si le réfrigérateur est débranché, éteint ou n'a plus de courant, vous devez attendre 3 à 5 minutes avant de redémarrer l'appareil. Si vous essayez de redémarrer avant ce délai, le réfrigérateur ne démarrera pas.



### AVERTISSEMENT

- Ne rayez pas l'appareil avec un objet pointu ou n'utilisez pas de détergent contenant de l'alcool, un liquide inflammable ou un abrasif lorsque vous retirez un ruban ou un adhésif de l'appareil.



- Ne décollez pas l'étiquette du numéro de modèle ou de série ou le schéma de câblage sur la surface arrière de l'appareil, car cela annulerait la garantie.
- Ouvrez les portes de l'appareil pour ventiler l'intérieur, car l'appareil peut avoir une « odeur de neuf ».



- Nettoyez soigneusement l'appareil en essuyant toutes les surfaces avec un chiffon doux et un détergent doux.
- L'appareil peut émettre un bruit fort après la première utilisation. Ce bruit est normal et diminue à mesure que la température baisse.
- Retirez tout ruban adhésif de l'intérieur de l'appareil et ouvrez les portes pour la ventilation.

## Affichage du panneau de contrôle

Selon le modèle, certaines des fonctions suivantes peuvent ne pas être disponibles. L'affichage du panneau de contrôle peut varier d'un modèle à l'autre.



## DÉMARRAGE DU RÉFRIGÉRATEUR

Une fois que le réfrigérateur est correctement connecté à une source d'alimentation, le compresseur s'allume automatiquement et l'armoire commence à se refroidir. Laissez l'armoire se refroidir pendant au moins 4 heures avant d'ajouter des aliments.

## **FONCTIONNEMENT**

Appuyez sur n'importe quelle touche pour la première fois et le panneau de contrôle s'activera. S'il n'y a aucune sélection de bouton pendant une minute, l'affichage LED s'éteindra automatiquement.

## **MODE**

Appuyez sur le bouton "Mode" pour sélectionner le mode de fonctionnement souhaité. Les modes disponibles sont : Refroidissement rapide, Congélation rapide et Optimal.

## **REFROIDISSEMENT RAPIDE**

La température du réfrigérateur sera réglée à 35°F et fonctionnera pendant 12 heures. Au bout de 12 heures, ce mode se désactivera automatiquement et reprendra le fonctionnement normal.

## **CONGÉLATION RAPIDE**

La température du congélateur sera réglée à -8°F et fonctionnera pendant 24 heures. Au bout de 24 heures, ce mode se désactivera automatiquement et reprendra le fonctionnement normal. Remarque : Le mode de refroidissement rapide ne modifie pas le mode de congélation rapide.

## **OPTIMAL**

En appuyant sur le bouton "Optimal", la température du réfrigérateur sera réglée à 35°F et celle du congélateur à -1°F. Si un autre bouton est enfoncé, le mode "Optimal" sera désactivé.

## **RÉFRIGÉRATEUR +/-**

Appuyez sur le bouton "Réfrigérateur +/-" pour ajuster la température de votre réfrigérateur. Remarque : La plage de température du réfrigérateur est de 34°F à 44°F.

## **CONGÉLATEUR +/-**

Appuyez sur le bouton "Congélateur +/-" pour ajuster la température de votre congélateur. Remarque : La plage de température du congélateur est de 6°F à -8°F. Lorsque la température souhaitée est sélectionnée, les chiffres clignoteront 5 fois pour confirmer. Si un autre mode est sélectionné pendant cette période de clignotement, le changement prendra effet immédiatement.

## **SÉLECTION DEGRÉS CELSIUS ET FAHRENHEIT**

Maintenez enfoncés les boutons "Réfrigérateur +/-" et "Congélateur +/-" pour passer entre les degrés Celsius et Fahrenheit.

## **ALARME DE PORTE**

Appuyez et maintenez le bouton "Mode" pendant 3 secondes pour désactiver la fonction d'alarme de porte. Remarque : la fonction d'alarme de porte se réactivera si la porte reste ouverte pendant plus de 3 minutes et émettra 3 bips toutes les 3 minutes jusqu'à ce que la porte soit refermée. Le son s'arrêtera au bout de 10 minutes si la porte n'est pas fermée.

## **ÉCLAIRAGE INTÉRIEUR**

La lumière LED intérieure est située au plafond de la partie réfrigérateur. Elle s'allume lorsque la porte de l'appareil est ouverte et s'éteint lorsque la porte est refermée. Si la lumière intérieure est défectueuse, contactez un technicien de service agréé pour la faire remplacer. Remarque : le fonctionnement de l'appareil n'est pas affecté si la lumière ne fonctionne pas.

## **INSTRUCTIONS DE NIVELLEMENT**

Des pieds réglables sont situés à l'avant de l'appareil pour assurer son nivellement.

Tournez le pied de nivellement dans le sens inverse des aiguilles d'une montre jusqu'à ce que le dessus du pied touche le bas de l'armoire. Tournez lentement le pied de nivellement dans le sens des aiguilles d'une montre jusqu'à ce que l'appareil soit de niveau.

## **OUVERTURE ET FERMETURE DE LA PORTE**

Les portes sont équipées de joints d'étanchéité uniformes pour empêcher l'entrée d'air chaud et d'humidité dans les compartiments du réfrigérateur et du congélateur. Assurez-vous que les portes et les joints d'étanchéité sont dégagés et forment une étanchéité complète autour du pourtour des armoires du réfrigérateur/congélateur. Une surcharge excessive ou une installation déséquilibrée de l'appareil empêchera une bonne étanchéité. Il peut être difficile d'ouvrir la porte immédiatement après sa fermeture en raison de la contraction de l'air dans les armoires du réfrigérateur/congélateur. Cette différence de pression s'équilibrera en quelques secondes, rendant les portes faciles à ouvrir à nouveau.

## **CHARGEMENT DU RÉFRIGÉRATEUR ET DU CONGÉLATEUR**

Évitez de trop remplir les plaques de refroidissement situées sur la paroi arrière du réfrigérateur/congélateur. Laissez circuler l'air autour de ces plaques pour assurer un bon fonctionnement. Lorsque vous ajoutez des aliments non congelés dans le congélateur pour la première fois, remplissez le congélateur seulement au tiers et attendez que ces aliments soient suffisamment congelés avant d'en ajouter davantage. Il est également préférable de conditionner les aliments dans des contenants plus petits plutôt que dans de gros récipients pour les refroidir plus rapidement. Les emballages alimentaires de plus de 2 pouces d'épaisseur se refroidiront lentement. Évitez de mettre des aliments chauds en contact avec des aliments froids.

## **BRUITS DE FONCTIONNEMENT NORMAUX**

Vous pouvez entendre des bruits de glouglou ou de bulles légères lorsque le réfrigérant est pompé à travers les serpentins de réfrigération. Lorsque le compresseur est en marche, le réfrigérant est pompé à travers l'appareil et vous entendrez un bruit de vrombissement ou de pulsation provenant du compresseur. Un thermostat contrôle le compresseur et vous pouvez entendre un "clic" lorsque le thermostat s'enclenche et se déclenche.

**IMPORTANT : Votre appareil est "sans givre" et ne nécessite pas de dégivrage.**

## **BAC DE RÉCUPÉRATION D'EAU**

Il y a un bac de récupération d'eau situé à l'arrière du réfrigérateur pour recueillir l'excès d'eau. Dans un réfrigérateur sans givre, l'eau s'écoulera des parois de la partie réfrigérateur, à travers le drain d'eau de dégivrage, jusqu'au bac de récupération. La bobine de condensation chaude se déverse dans le bac de récupération et évapore lentement l'eau. Remarque : si le réfrigérateur doit être déplacé après un certain temps, il est préférable de vider d'abord l'eau du bac de récupération.

## **NETTOYAGE INTERNE**

Nettoyez l'intérieur de l'appareil avec de l'eau tiède et un savon doux. N'utilisez jamais d'agents de nettoyage abrasifs ou corrosifs, de laine d'acier, d'éponges abrasives, de produits de nettoyage chimiques ou de produits de nettoyage fortement parfumés, car cela endommagerait la surface et laisserait une odeur forte. Une éponge, une serviette ou une brosse douce sont recommandées. Lavez avec un mélange de deux cuillères à soupe (30 ml) de bicarbonate de soude pour un quart de gallon (1,14 L) d'eau tiède. Après le nettoyage, essuyez toutes les surfaces avec un chiffon doux et de l'eau propre pour rincer, puis laissez le réfrigérateur/congélateur sécher.

## **NETTOYAGE EXTERNE**

Nettoyez l'extérieur de l'armoire avec de l'eau tiède et un savon doux ou un détergent. N'utilisez pas d'agents de nettoyage abrasifs ou corrosifs, de produits de nettoyage chimiques, de laine d'acier ou d'éponges abrasives, car cela pourrait endommager les surfaces.

## PANNE DE COURANT

La plupart des pannes de courant sont rétablies en quelques heures et ne devraient pas affecter la température interne de l'appareil si le nombre d'ouvertures de porte est réduit au minimum. Si l'alimentation est coupée pendant une période plus longue, prenez les mesures appropriées pour protéger le contenu. Remarque : attendez 3 à 5 minutes avant de tenter de redémarrer le réfrigérateur si le fonctionnement a été interrompu. Le non-respect de cette consigne peut endommager votre réfrigérateur et annuler votre garantie.

## VACANCES

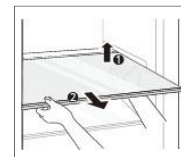
- Courtes vacances : laissez l'appareil fonctionner pendant les vacances de moins de trois semaines.
- Longues vacances : si l'appareil ne sera pas utilisé pendant plusieurs mois, retirez tous les articles et débranchez l'appareil de sa source d'alimentation. Nettoyez et séchez soigneusement l'intérieur. Pour éviter les odeurs et la croissance de moisissures, laissez la porte entrouverte, en la bloquant si nécessaire.

## DÉMÉNAGEMENT

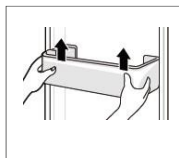
- Retirez tous les articles.
- Fixez les étagères à l'intérieur de l'appareil avec du ruban adhésif.
- Relevez le pied réglable jusqu'à la base pour éviter les dommages. • Fermez la porte avec du ruban adhésif.
- Assurez-vous que l'appareil reste en position verticale pendant le transport. Protégez l'extérieur de l'appareil avec une couverture.
- Si l'appareil est placé sur le dos ou sur le côté pendant le transport, une fois arrivé à destination, laissez-le en position verticale pendant 6 heures avant de le brancher pour éviter d'endommager les composants internes.

## Glass Shelves

- Les clayettes en verre peuvent être positionnées à la hauteur souhaitée par l'utilisateur.
- Pour repositionner une étagère, faites doucement glisser l'étagère vers vous.
- Inclinez légèrement l'avant de l'étagère vers le haut pour retirer complètement l'étagère.
- Réinstallez délicatement la tablette à la position désirée en inversant cette étape.

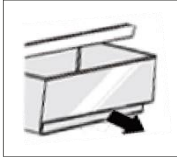


## Étagères de porte



- Les balconnets de porte sont généralement utilisés pour contenir des articles plus petits.
- Les balconnets de porte peuvent être retirés pour le nettoyage.
- Soulevez doucement la clayette en utilisant les deux mains placées aux deux extrémités de la clayette. Soulevez les deux côtés uniformément pour éviter de coincer ou d'endommager la clayette ou le panneau du réfrigérateur.
- Réinstallez l'étagère en vous assurant qu'elle est abaissée uniformément et horizontalement. Doucement tapotez l'étagère pour vous assurer qu'elle est bien en place

## Bac à légumes



- Le bac à légumes est généralement utilisé pour contenir des légumes et des fruits et peut être retiré pour le nettoyage.



### **AVERTIR**

**Soyez prudent lorsque vous déplacez les étagères, les tiroirs et les étagères de porte pour éviter les bris.**



## CONSEILS POUR ÉCONOMISER L'ÉNERGIE

- N'installez pas le réfrigérateur à proximité de sources de chaleur, telles qu'une cuisinière, une chaudière, un radiateur, une cheminée, etc. et évitez d'exposer l'appareil à la lumière directe du soleil.
- Placez l'appareil dans une pièce fraîche et bien ventilée et assurez-vous que les orifices d'aération du couvercle du boîtier du compresseur ne sont pas obstrués. Prévoyez également un espacement suffisant autour du réfrigérateur pour la circulation de l'air (2" / 5 cm).
- Évitez tout givrage inutile dans le réfrigérateur en emballant tous les aliments et les liquides dans des emballages ou des récipients hermétiques.
- Conservez toujours les aliments dans des emballages ou des récipients hermétiques, et laissez un certain espace pour que l'air puisse circuler autour de chaque produit.
- Évitez de laisser la porte ouverte pendant de longues périodes ou de l'ouvrir trop fréquemment, car l'air chaud entrera à l'intérieur du réfrigérateur et provoquera un fonctionnement inutile du compresseur.

# NETTOYAGE



## ATTENTION

- Débranchez l'appareil avant de le nettoyer.
- N'utilisez pas de grandes quantités d'eau ou de liquide lors du nettoyage de l'appareil, car cela pourrait affecter les composants électriques et les propriétés isolantes de l'appareil.



## AVERTISSEMENT

- N'utilisez pas de détergents ou de substances inflammables telles que de l'alcool, du diluant, de l'eau de javel ou d'autres liquides inflammables pour nettoyer l'appareil.
- Les solutions de nettoyage qui contiennent des abrasifs, des acides ou des solvants ne conviennent pas pour le nettoyage et peuvent endommager le réfrigérateur et provoquer une décoloration. N'utilisez pas ces types de nettoyeurs.
- N'utilisez pas d'objets tranchants pour nettoyer l'appareil, car ceux-ci pourraient le rayer.
- Ne décollez pas et ne modifiez pas les étiquettes de numéro de modèle ou de série apposées sur les surfaces de l'appareil, car cela annulerait la garantie.
- Il est recommandé de nettoyer régulièrement l'appareil pour éviter les odeurs et garantir un fonctionnement efficace de l'appareil. Le nettoyage concerne les surfaces intérieures telles que les parois intérieures, les clayettes et les balconnets de porte, ainsi que les composants extérieurs tels que les joints de porte, les poignées, les côtés et l'unité de condensation.
- Utilisez un chiffon doux et humide avec un détergent doux pour nettoyer toutes les surfaces.
- Les parties amovibles, telles que les clayettes, les compartiments et les balconnets de porte, peuvent être retirées pour être nettoyées.
- Essuyez immédiatement les déversements.
- Les surfaces doivent être séchées après avoir été essuyées.



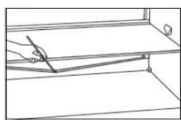
## AVERTISSEMENT

Faites attention lorsque vous déplacez des clayettes, des compartiments et des balconnets de porte pour éviter de les casser.

## Nettoyage extérieur

- Vérifiez et nettoyez régulièrement le joint de porte pour vous assurer qu'il ne contient aucune saleté.
- Les surfaces extérieures de l'appareil peuvent également être nettoyées à l'aide d'un chiffon doux et humide avec un détergent doux.
- Nettoyez régulièrement la poussière qui s'accumule en dessous et derrière l'appareil pour améliorer l'efficacité du refroidissement.

## Dégivrage du port d'évacuation de l'eau



- L'orifice d'évacuation qui recueille l'humidité et la glace dégelée est situé près du fond de l'appareil.
- Lors du nettoyage de l'appareil, assurez-vous que l'orifice n'est pas obstrué. Inspectez et nettoyez-le fréquemment (par exemple avec une paille en plastique).

## Bac de récupération de l'eau

- Un bac de récupération de l'eau est situé en haut du compresseur pour récupérer l'excès d'eau.
- Lors du dégivrage, l'eau s'écoulera du compartiment du réfrigérateur par l'orifice et se déversera dans le bassin de récupération.



### AVERTISSEMENT

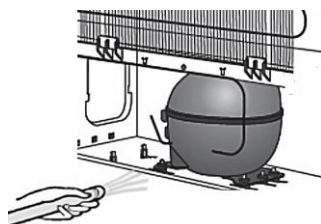
- Faites attention lorsque vous effectuez un dégivrage complet, car le bac de récupération pourrait déborder. Vous pouvez utiliser une éponge absorbante pour éliminer l'eau.
- N'essayez pas de retirer le bac de récupération de l'appareil.

## Cavité du compresseur



### ATTENTION

- Éteignez l'appareil et débranchez-le avant d'essayer de nettoyer la cavité du compresseur.
- Soyez particulièrement vigilant lors du nettoyage de cette partie de l'appareil, car elle contient des composants électriques et mécaniques ainsi que des tubes frigorifiques délicats qui ne doivent pas être endommagés.



- La zone de la cavité du compresseur peut être nettoyée avec un aspirateur équipé d'une brosse douce ou d'un suceur plat.
- Aspirez délicatement la poussière qui s'est accumulée dans cette zone.

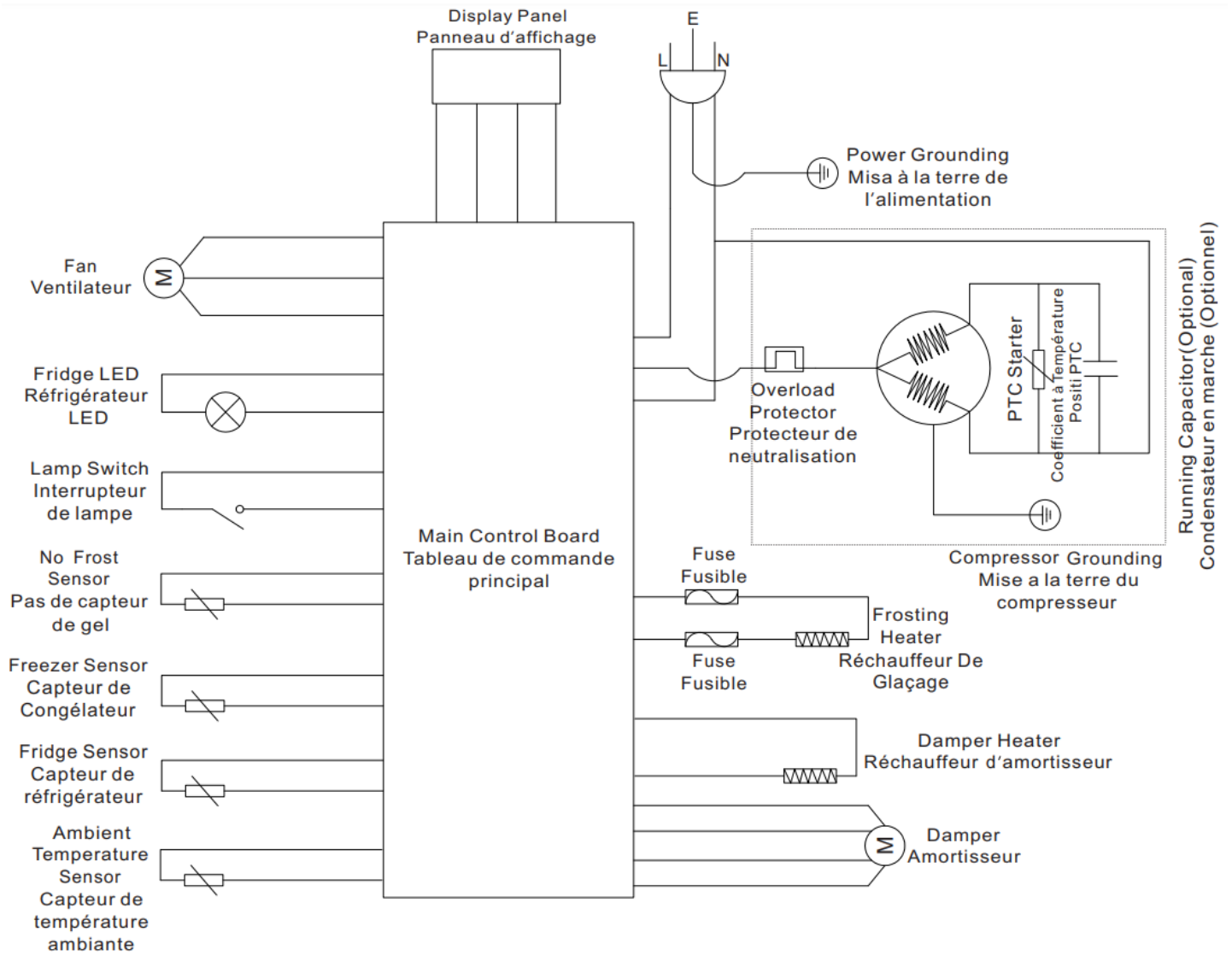
## RÉSOLUTION DE PROBLÈMES

PROBLÈME	CAUSE ÉVENTUELLE ET SOLUTION
<b>L'appareil est branché, mais ne fonctionne pas:</b>	<ul style="list-style-type: none"> <li>• Assurez-vous que l'appareil est branché et qu'il y a du courant dans la prise.</li> <li>• Assurez-vous que le disjoncteur ou le fusible ne s'est pas déclenché.</li> <li>• Assurez-vous que le thermostat est réglé entre 1 et 7</li> </ul>
<b>Le système de refroidissement fonctionne en continu pendant de longues périodes:</b>	<ul style="list-style-type: none"> <li>• Température ambiante trop élevée.</li> <li>• Porte ouverte fréquemment ou trop longtemps.</li> <li>• Porte mal fermée (joints de porte mal alignés, endommagés ou sales).</li> <li>• Grande quantité de nourriture ajoutée en une fois.</li> <li>• Capteur de température bloqué par la nourriture, empêchant une bonne circulation de l'air.</li> <li>• Assurez-vous que les dégagements recommandés sont respectés.</li> <li>• Assurez-vous qu'il y a une circulation d'air adéquate derrière l'appareil.</li> </ul>
<b>Une quantité excessive de Glace s'accumule sur la paroi arrière:</b> <small>(Remarque: une certaine accumulation d'humidité est normale.)</small>	<ul style="list-style-type: none"> <li>• Porte ouverte trop souvent ou trop longtemps.</li> <li>• Aliments chauds placés à l'intérieur du réfrigérateur.</li> <li>• Aliments placés contre la paroi arrière du réfrigérateur.</li> <li>• Mauvaise fermeture étanche de la porte.</li> <li>• Joint de porte endommagé ou sale, remplacez ou nettoyez le joint.</li> <li>• Environnement extrêmement humide.</li> </ul>
<b>De la glace ou du givre s'accumulent dans le congélateur:</b>	<ul style="list-style-type: none"> <li>• Porte ouverte trop souvent ou trop longtemps. Mauvaise fermeture de la porte.</li> <li>• Mauvaise fermeture étanche de la porte.</li> <li>• Joint de porte endommagé ou sale, remplacez ou nettoyez le joint.</li> <li>• Environnement extrêmement humide.</li> </ul>
<b>La porte ne se ferme pas:</b>	<ul style="list-style-type: none"> <li>• Vérifiez et nettoyez régulièrement le joint de porte pour vous assurer qu'il ne contient aucune saleté.</li> <li>• Assurez-vous qu'il n'y a pas d'accumulation de givre empêchant la porte de se fermer. Un dégivrage peut être nécessaire.</li> </ul>
<b>La porte est difficile à ouvrir:</b>	<ul style="list-style-type: none"> <li>• Nettoyez les joints de porte et les surfaces de contact avec un savon doux et de l'eau chaude.</li> <li>• Ajoutez des antidérapants aux pieds du réfrigérateur s'il glisse sur le sol.</li> </ul>
<b>Accumulation d'eau au fond du réfrigérateur:</b>	<ul style="list-style-type: none"> <li>• Port d'évacuation de l'eau bouché. Avec le temps, l'orifice est parfois bouché par des saletés. Poussez une petite paille en plastique dans le trou pour enlever la saleté.</li> </ul>
<b>L'éclairage LED ne fonctionne pas:</b>	<ul style="list-style-type: none"> <li>• Appelez un technicien. N'essayez pas de le réparer vous-même, car il existe un risque de contact avec la haute tension.</li> </ul>

For other troubleshooting inquiries or for an iio™ authorized repair center please contact us at: 1-833-446-4461 or email us at [service@iiookitchen.com](mailto:service@iiookitchen.com).



# SCHÉMA ÉLECTRIQUE



## GARANTIE

iio™ garantit que tous les réfrigérateurs ne présenteront aucun défaut de matériel ou de fabrication pendant une période d'UN AN à compter de la date d'achat initiale.

AUCUNE AUTRE GARANTIE, EXPRESSE OU IMPLICITE, Y COMPRIS SANS TOUTEFOIS S'Y LIMITER, LES GARANTIES OU LA CAPACITÉ OU LA QUALITÉ MARCHANDE OU L'ADÉQUATION À UN USAGE PARTICULIER N'EST FOURNIE. Une preuve d'achat/facture originale peut être exigée pour faire valoir la garantie. Gardez une photocopie facilement accessible.

Si la maison dans laquelle le réfrigérateur est installé est vendue pendant la période de garantie, le nouveau propriétaire est couvert jusqu'à l'expiration de la garantie de l'acheteur initial. Pendant cette période d'un an, iio™ réparera ou remplacera, à sa discrétion et sans frais, tout produit ou pièce qui s'avérerait défectueux dans des conditions normales d'utilisation et d'entretien.

### Cette garantie ne couvre pas:

- a) l'entretien et le service habituels;
- b) tout produit ou pièce ayant fait l'objet d'une mauvaise utilisation, d'une négligence, d'un accident, d'un entretien ou d'une réparation incorrecte (sauf par un centre de réparation agréé iio™), d'une installation défectueuse ou d'une installation contraire aux instructions d'installation recommandées
- c) les dommages esthétiques

L'OBLIGATION DE RÉPARATION OU DE REMPLACEMENT D'iio™, A SA DISCRETION, SERA LE SEUL ET EXCLUSIF RECOURS DE L'ACHETEUR EN VERTU DE LA PRÉSENTE GARANTIE. iio™ N'EST PAS RESPONSABLE DES DOMMAGES ACCIDENTELS, CONSÉCUTIFS OU SPÉCIAUX DÉCOULANT DE L'UTILISATION OU DE LA PERFORMANCE DU PRODUIT, OU EN LIEN AVEC CELUI-CI.

Cette garantie ne s'applique qu'en Amérique du Nord, aux réfrigérateurs installés pour un usage privé et familial. La garantie sera annulée si le réfrigérateur est utilisé à des fins COMMERCIALES, MULTIFAMILIALES ou à toute autre fin.

L'enlèvement ou la modification de la plaque de série annule la garantie. L'acheteur sera responsable de tous les frais supplémentaires engagés pour rendre le réfrigérateur facilement accessible pour l'entretien. L'acheteur sera responsable de tous les frais supplémentaires lorsque l'installation se trouve dans un endroit éloigné, comme des routes non prises en charge, des îles et des zones dites de chalets, à 20 km en dehors d'une zone métropolitaine ou lorsqu'un technicien n'est pas disponible. Les dommages dus au transport ne sont pas couverts par cette garantie.



**NOUS OFFRONS DES GARANTIES PROLONGÉES JUSQU'À 5 ANS À DES PRIX EXTRÊMEMENT RAISONNABLES. VOUS ÊTES TOUJOURS QUALIFIÉ JUSQU'À 9 MOIS APRÈS L'ACHAT !**

<https://store.iio.com/collections/extended-warranties>

Pour trouver un centre de réparation agréé iio™, veuillez nous contacter au : 1-833-446-4461 ou vous pouvez visiter [www.iio.com](http://www.iio.com) pour plus d'informations.





Nous efforçons de veiller à ce que les informations fournies soient complètes et exactes; toutefois, les images et les spécifications peuvent être modifiées sans avertissement préalable.

Rendez-vous sur [www.iiokitchen.com](http://www.iiokitchen.com) pour télécharger la dernière version du manuel d'utilisation.