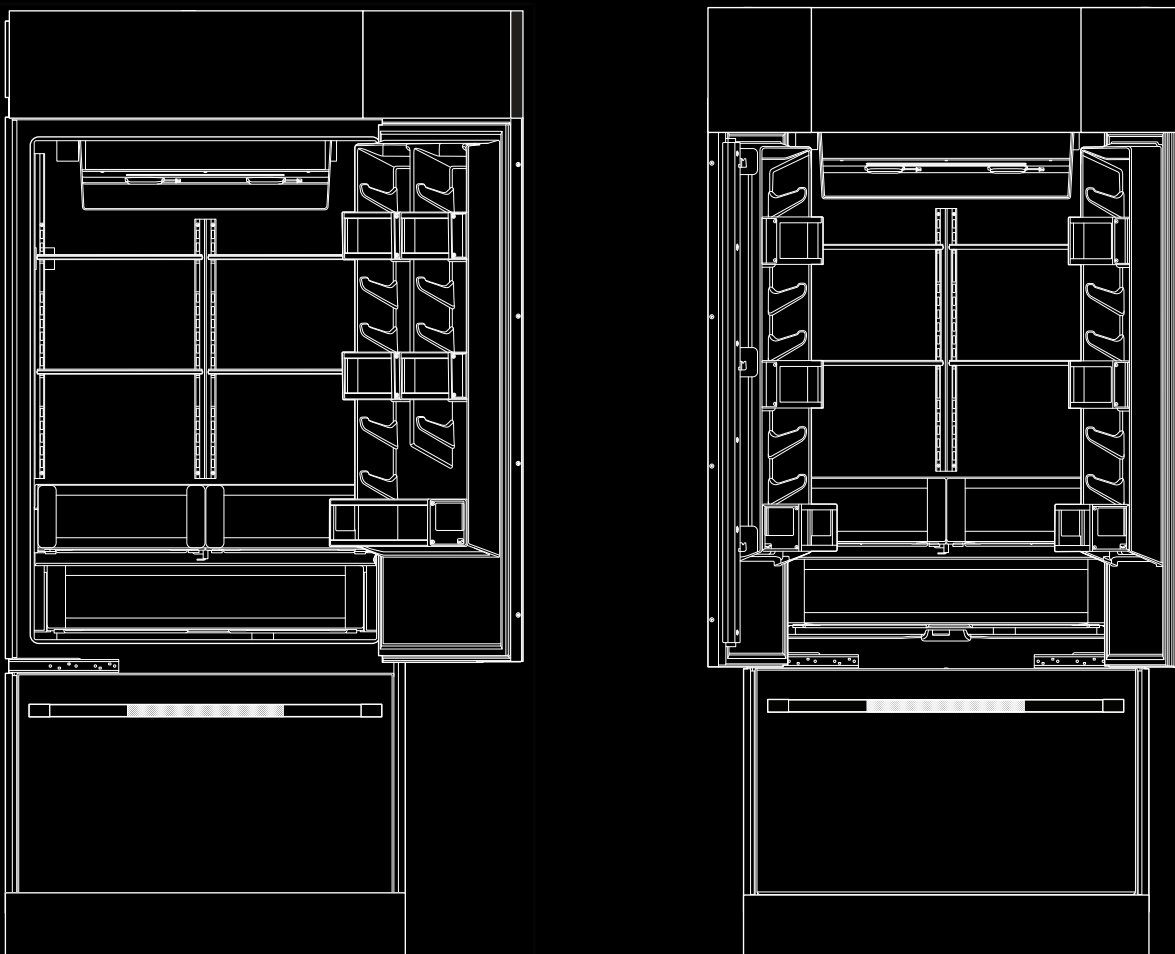


# INSTALL

## BOTTOM MOUNT BUILT-IN REFRIGERATOR RÉFRIGÉRATEUR ENCASTRÉ AVEC CONGÉLATEUR EN BAS



For questions about features, operation/performance, parts, accessories, or service, call:  
**1-800-JENNAIR (536-6247)** or visit our website at [www.jennair.com/owners](http://www.jennair.com/owners).

In Canada, call: **1-800-807-6777**, or visit our website at [www.jennair.ca/owners](http://www.jennair.ca/owners).

Pour des questions à propos des caractéristiques, du fonctionnement/rendement, des pièces, accessoires ou service, composer le :  
**1 800 JENNAIR (536-6247)** ou visiter notre site Web au [www.jennair.com/proprietaire](http://www.jennair.com/proprietaire).

Au Canada, composer le : **1 800 807-6777** ou visiter notre site Web au [www.jennair.ca/proprietaire](http://www.jennair.ca/proprietaire).



# JENNAIR®

## TABLE OF CONTENTS

### INTRODUCTION

Refrigerator Safety .....	3
---------------------------	---

### VARIANTS AND ACCESSORIES

36" Single-Door Models .....	4
36" and 42" French Door Models .....	5

### INSTALLATION REQUIREMENTS

Tools and Parts.....	6
Product Dimensions.....	7
Door Swing Dimensions .....	8
Site Preparation.....	9
Location Requirements.....	11
Water Supply Requirements.....	11
Electrical Requirements.....	12
Stainless Steel Panel Kit Installation Requirements.....	13
Custom Wood Panel Dimensions and Installation Requirements.....	13

### INSTALLATION INSTRUCTIONS

Unpack the Refrigerator .....	13
Move the Refrigerator into House.....	13
Connect the Water Supply .....	13
Plug in Refrigerator.....	16
Install Side Trims.....	16
Move Refrigerator to Final Location.....	16
Level and Align Refrigerator .....	17
Install Base Grille .....	18
Complete Installation.....	18

## TABLE DES MATIÈRES

### INTRODUCTION

Sécurité du réfrigérateur .....	19
---------------------------------	----

### VARIANTES ET ACCESSOIRES

Modèles avec porte simple de 36 po.....	20
Modèles avec porte à double battant de 36 po et 42 po .....	21

### EXIGENCES D'INSTALLATION

Outils et pièces .....	22
Dimensions du produit.....	23
Dimensions pour l'ouverture des portes .....	24
Préparation du site.....	25
Exigences d'emplacement.....	27
Spécifications de l'alimentation en eau .....	27
Spécifications électriques.....	28
Exigences d'installation de l'ensemble de panneaux en acier inoxydable.....	29
Exigences d'installation et dimensions des panneaux de bois personnalisés.....	29

### INSTRUCTIONS D'INSTALLATION

Déballage du réfrigérateur .....	29
Déplacement du réfrigérateur dans le domicile .....	29
Raccordement à la canalisation d'eau .....	29
Brancher le réfrigérateur.....	32
Installation des garnitures latérales.....	32
Déplacement du réfrigérateur à son emplacement définitif.....	32
Réglage de l'aplomb et alignement du réfrigérateur .....	33
Installation de la grille de la base.....	34
Terminer l'installation.....	34

# INTRODUCTION

## REFRIGERATOR SAFETY

### Your safety and the safety of others are very important.

We have provided many important safety messages in this manual and on your appliance. Always read and obey all safety messages.



This is the safety alert symbol.

This symbol alerts you to potential hazards that can kill or hurt you and others.

All safety messages will follow the safety alert symbol and either the word "DANGER" or "WARNING."

These words mean:

**! DANGER**

You can be killed or seriously injured if you don't immediately follow instructions.

**! WARNING**

You can be killed or seriously injured if you don't follow instructions.

All safety messages will tell you what the potential hazard is, tell you how to reduce the chance of injury, and tell you what can happen if the instructions are not followed.

### **! WARNING**



#### Tip Over Hazard

**Refrigerator is top heavy and tips easily when not completely installed.**

**Keep doors taped closed until refrigerator is completely installed.**

**Use two or more people to move and install refrigerator.**

**Failure to do so can result in death or serious injury.**

# VARIANTS AND ACCESSORIES

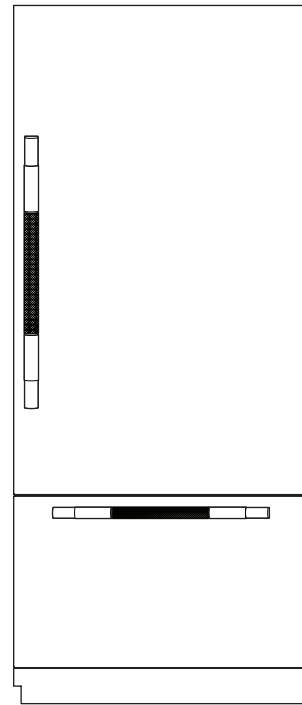
## 36" SINGLE-DOOR MODELS



### Custom-Made Panel Design

Features custom-made panels and custom hardware provided by the cabinetmaker for a seamless appearance designed to blend with existing kitchen cabinetry.

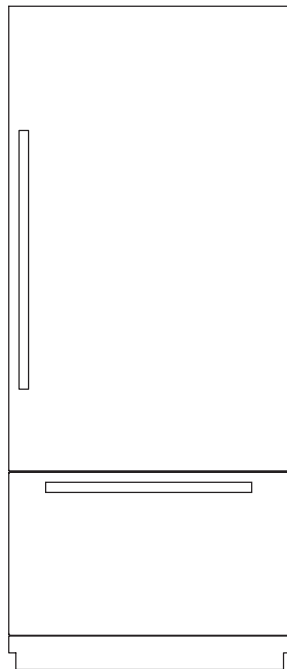
**Base Model Numbers:** JB36NFXLE, JB36NFXRE  
**ARMOIRE KIT NUMBER:** W10663562



### RISE™ Stainless Design

Features stainless steel wrapped doors and new RISE™ handles.

**Base Model Numbers:** JB36NFXLE, JB36NFXRE  
**Panel Kit Model Number:** JBBFR36NHL, JBBFL36NHL



### NOIR™ Stainless Design

Features stainless steel wrapped doors and new NOIR™ handles.

**Base Model Numbers:** JB36NFXLE, JB36NFXRE  
**Panel Kit Model Number:** JBBFR36NHL, JBBFL36NHL

## ACCESSORIES

All factory parts are available through JennAir dealer or by calling JennAir® at **1-800-JENNAIR (536-6247)**. In Canada, call **1-800-807-6777**.

### DOOR HANDLE KITS

For custom wood overlay panels only, handle kits can be ordered. Follow the kit instructions for installation.

Handle Kits contain 2 handles per Kit.

**IMPORTANT:** These handle kits are not intended for use with stainless steel door panel kits.

RISE™ Stainless Steel—BM—W11231245

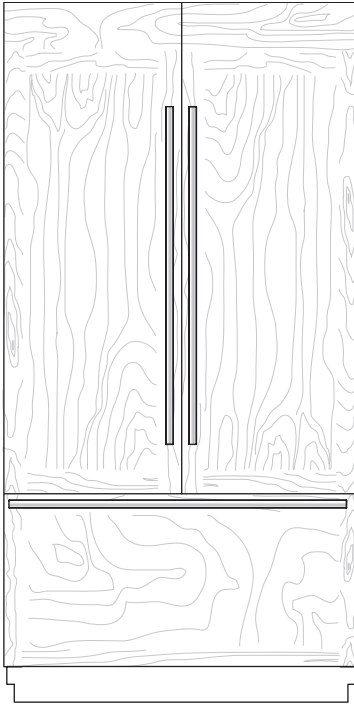
NOIR™ Stainless Steel—BM—W11194767

### ARMOIRE-STYLE DOOR PANEL KIT

Refer to the installation instructions that come with the Armoire kit, for custom wood overlay panel dimensions and installation details.

36" Model — W10663562

## 36" AND 42" FRENCH DOOR MODELS

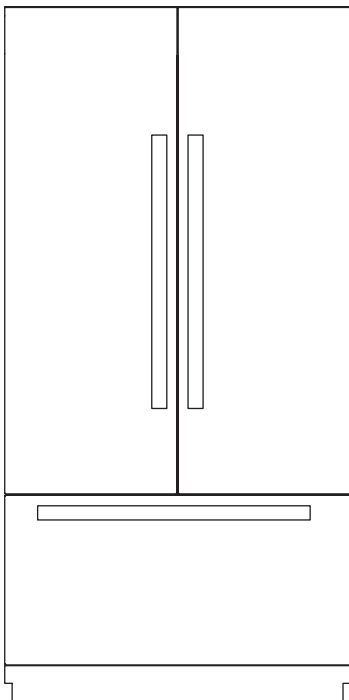


### Custom-Made Panel Design

Features custom-made panels and custom hardware provided by the cabinetmaker for a seamless appearance designed to blend with existing kitchen cabinetry.

**Base Model Numbers:** JF42NXFXDE, JF36NXFXDE

**ARMOIRE KIT NUMBER:** W10663562, W10663564

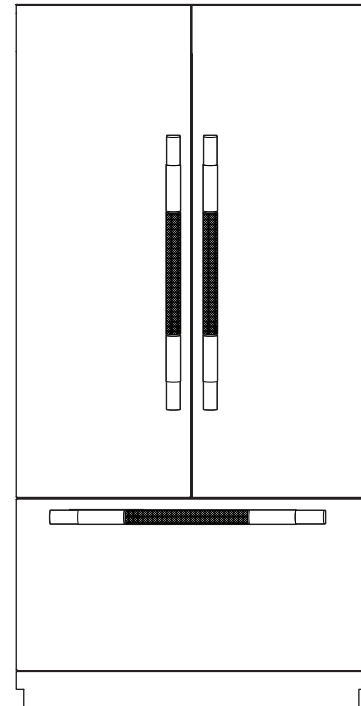


### NOIR™ Stainless Design

Features stainless steel wrapped doors and new NOIR™ handles.

**Base Model Numbers:** JF42NXFXDE, JF36NXFXDE

**Panel Kit Model Number:** JBFFS42NHL, JBFFS36NHL



### RISE™ Stainless Design

Features stainless steel wrapped doors and new RISE™ handles.

**Base Model Numbers:** JF42NXFXDE, JF36NXFXDE

**Panel Kit Model Number:** JBFFS42NHL, JBFFS36NHL

## ACCESSORIES

All factory parts are available through JennAir dealer or by calling JennAir® at **1-800-JENNAIR (536-6247)**. In Canada, call **1-800-807-6777**.

### DOOR HANDLE KITS

For custom wood overlay panels only, handle kits can be ordered. Follow the kit instructions for installation.

Handle Kits contain 3 handles per Kit.

**IMPORTANT:** These handle kits are not intended for use with stainless steel door panel kits.

RISE™ Stainless Steel—36" FDBM—W11231247

NOIR™ Stainless Steel—36" FDBM—W11194768

RISE™ Stainless Steel—42" FDBM—W11296021

NOIR™ Stainless Steel—42" FDBM—W11194769

### ARMOIRE-STYLE DOOR PANEL KIT

Refer to the installation instructions that come with the Armoire kit, for custom wood overlay panel dimensions and installation details.

36" Model — W10663562

42" Model — W10663564

# INSTALLATION REQUIREMENTS

## TOOLS AND PARTS

### IMPORTANT:

- Installer: Leave Installation Instructions with the homeowner.
- Homeowner: Keep Installation Instructions for future reference. Save these Installation Instructions for the local electrical inspector's use.

### TOOLS NEEDED:

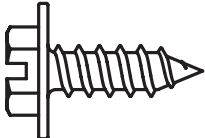
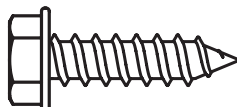
Gather the required tools and parts before starting installation.

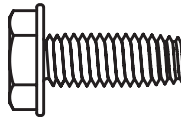

Read and follow the instructions provided with any tools listed here.

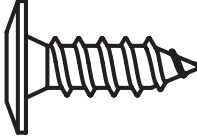
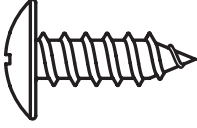
- Cordless drill
- Drill bits
- Adjustable wrenches (2)
- Phillips screwdriver
- Small level
- 3/32" hex key (panel kits only)
- 11/32" nut driver
- 3/8" and 1/2" open-end wrenches
- 5/32" and 3/16" hex key
- 1/4" and 5/16" socket drivers
- Tape measure
- Utility knife
- Tape (painters)
- Appliance dolly

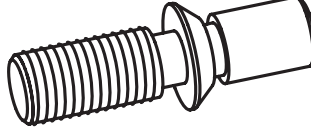
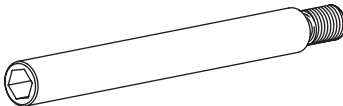
### PARTS NEEDED:


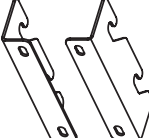
- #8 x 3" (7.6 cm) wood screws (longer screws may be needed) (6)
- 2" x 4" x 32" (5 cm x 10 cm x 81 cm) wood boards (2)
- Custom wood overlay panels—consult a qualified cabinetmaker or carpenter to make the custom wood panels. See "Custom Wood Panel Dimensions and Installation Requirements" for more information.
- Flexible, codes-approved water supply tubing, a ferrule, a union and a 1/4" (6.35 mm) compression fitting.

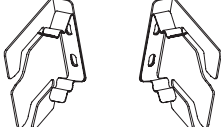

 <p>Slotted Hex-head Screw W10141645 (21)</p>	 <p>Hex-head Pointed Screw W10141189 (8)</p>
--	---



 <p>Hex-head Blunt Screw W10142233 (4)</p>	 <p>Shoulder Washer (use with hex-head pointed screw) W10471946 (4)</p>
---	--

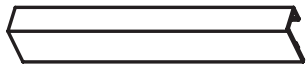
 <p>Phillips-head Flat Screw 8281252 (28)</p>	 <p>Round-head Screw 1163283 (24)</p>
---	--

 <p>Door Adjustment Pin (preinstalled) W10234194 (2)</p>	 <p>Door Stop Pin W10234202 (2)</p>
--	--

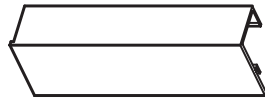
 <p>Drawer Panel Bracket W10606815 (2)</p>	 <p>Standard Integrated Grille Bracket W10182743—Left (1) W10182741—Right (1)</p>
--	--

 <p>Fully Integrated Grille Bracket W10260890—Left (1) W10260891—Right (1)</p>	 <p>Filler Board "L" Bracket W10234199 (2)</p>
--	---

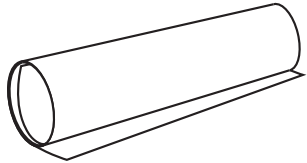
 <p>Panel Top Bracket W10667450 (2)</p>	 <p>Top Grille Lower Trim W10634858—36" BM (1) W10606812—42" BM, SxS (1)</p>
---	---



RC Hinge Cover Trim  
 W10648975—36" BM  
 (Right)  
 W10564251—36" FDBM  
 (Right)  
 W10606804—42" FDBM  
 (Right)



FC Hinge Cover Trim  
 W10611107—36" BM (Left)  
 W10582015—36" FDBM  
 (Left)  
 W10606808—42" FDBM  
 (Left)



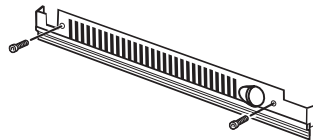
Panel Templates  
 W10222281—SxS  
 W10488115—36" BM  
 W10704869—36" FDBM  
 W10488118—42" FDBM  
 W10489178—Grille



Handle Side Door Trim  
 W10611106—BM (Left)  
 W10648977—BM (Right)  
 W10606802—FDBM (Right)  
 W10606806—FDBM (Left)



Installation Block  
 W10234156



Grille—Bottom / Skirt—  
 Grille  
 W10189198 / W10188549—  
 42" BM  
 W10189196 / W10188547—  
 36" BM  
 W10005050 (2) - Screws

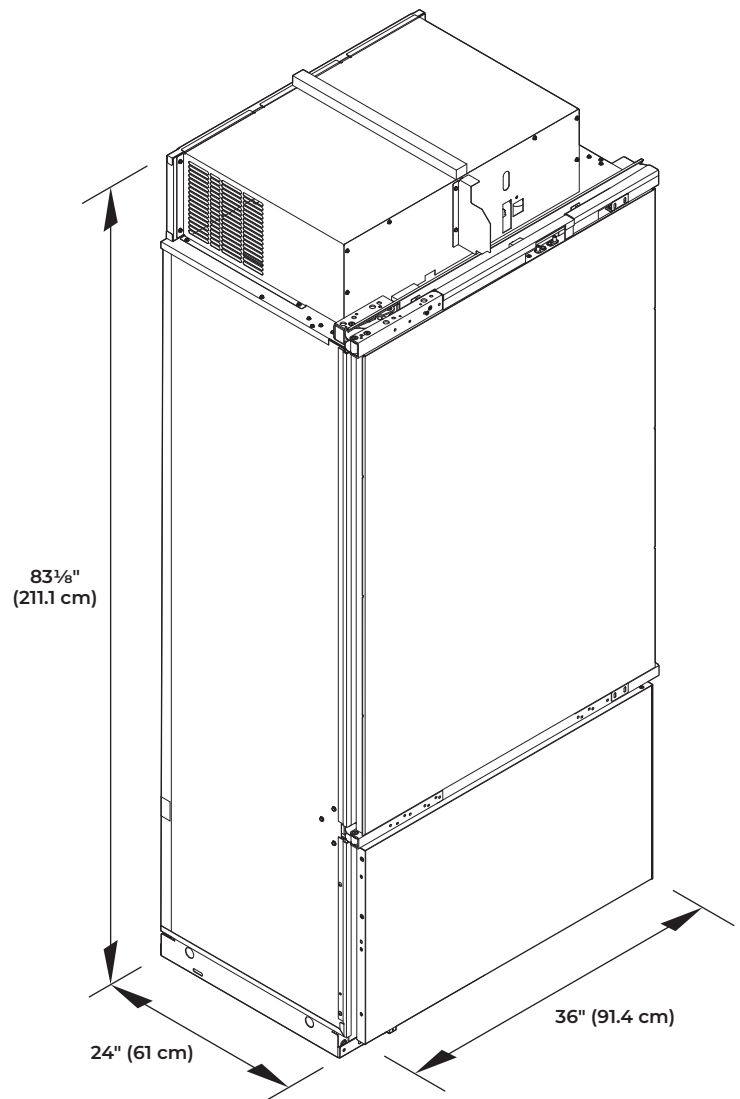
## PRODUCT DIMENSIONS

- Width dimensions were measured from hinge to hinge.
- When leveling legs are fully extended to 1 $\frac{1}{4}$ " (3.2 cm) below rollers, add 1 $\frac{1}{4}$ " (3.2 cm) to the height dimensions.

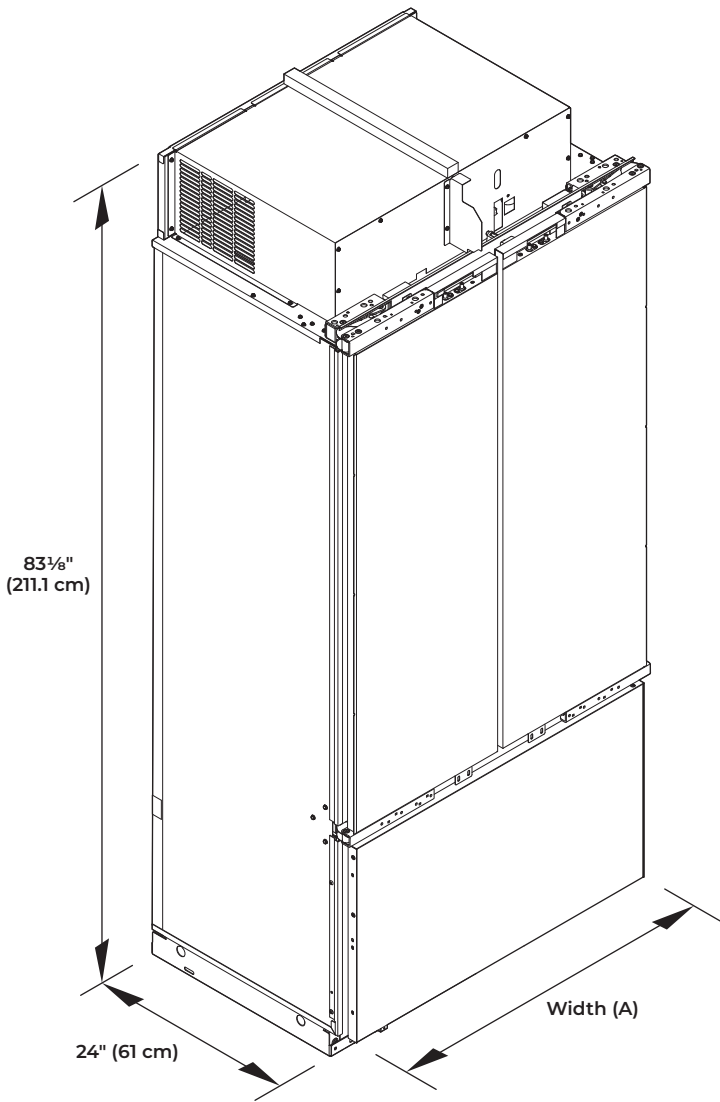
### NOTE:

- Do not remove the foam gasket from the top of the compressor cover unless removal is necessary to fit the unit under a soffit. Removal of the gasket will cause loss in cooling efficiency.
- If installing under a solid soffit, after installation raise the leveling legs so that the gasket is pressed snugly against the soffit.

## 36" SINGLE DOOR MODEL



## FRENCH DOOR BOTTOM MOUNT MODELS



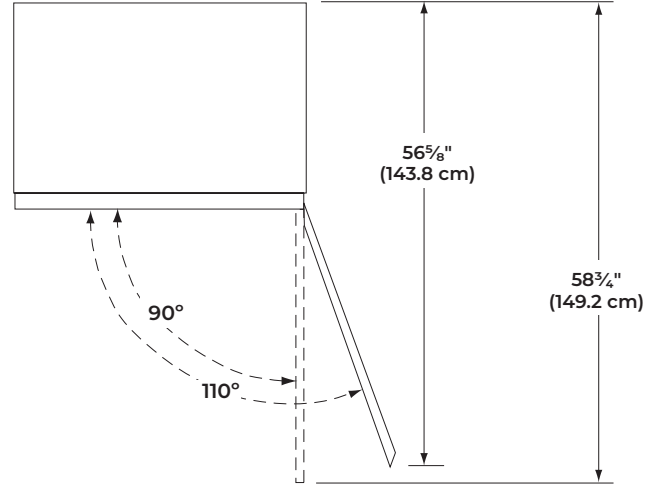
MODEL	WIDTH A (HINGE EDGE TO HINGE EDGE)
36	35 3/4" (90.8 cm)
42	41 3/4" (106 cm)

## DOOR SWING DIMENSIONS

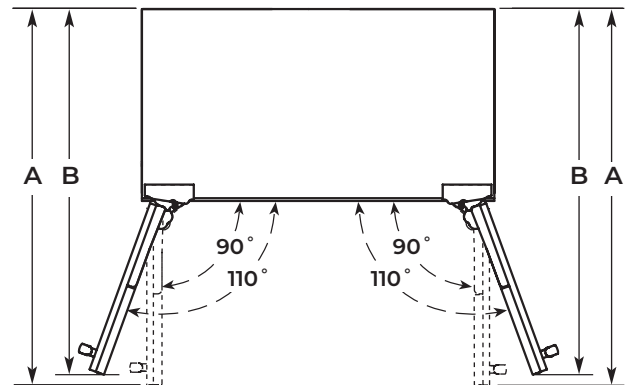
The location must permit both doors to open to a minimum of 90°. Allow 4 1/2" (11.4 cm) minimum space between the side of the refrigerator and a corner wall.

**NOTE :** More clearance may be required if you are using wood overlay panels, custom handles, or extended handles.

### 36" SINGLE DOOR MODEL



### 36" (91.4 CM) AND 42" (106.6 CM) FRENCH DOOR MODELS

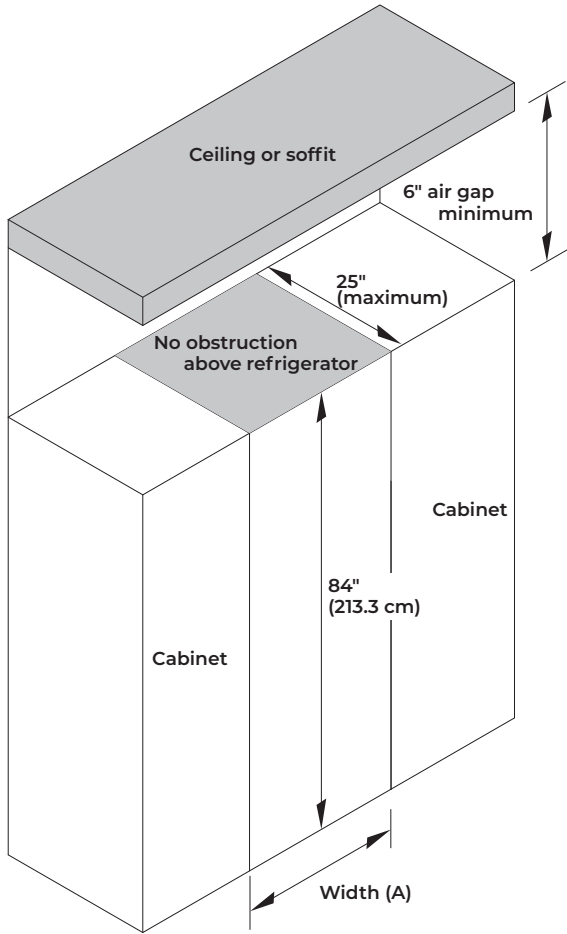


MODEL	A	B
36	41" (104 cm)	39 3/4" (101 cm)
42	44" (111.8 cm)	42 3/4" (108.6 cm)



# SITE PREPARATION

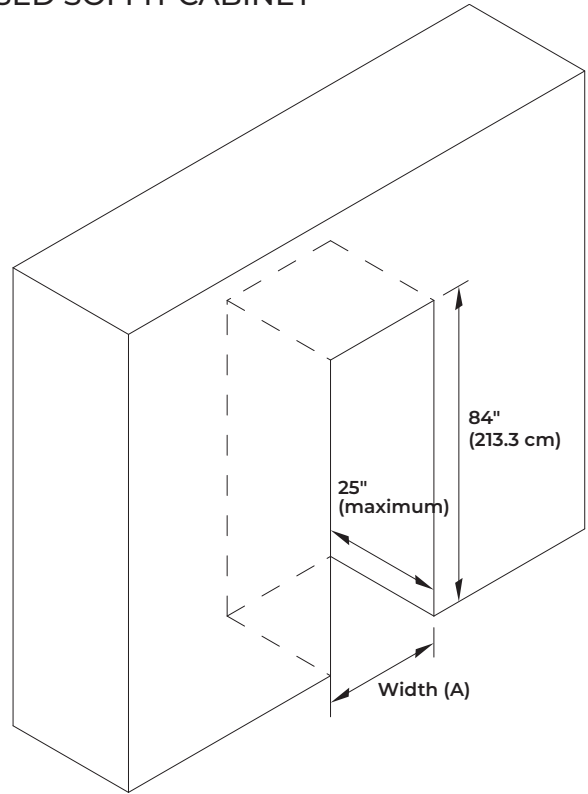
## OPEN TO CEILING OR SOFFIT CABINET



MODEL	WIDTH A
36	36" (91.4 cm)
42	42" (106.7 cm)

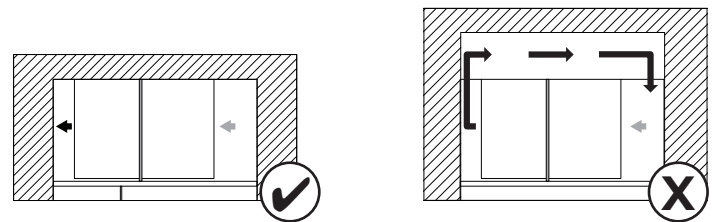
- These type of installations require a minimum of 6" (15.24 cm) of open space above the refrigerator. This space must not be blocked in any way, including soffits.
- Depth of cabinet must be less than 25" (63.5 cm).
- If your opening does not meet these requirements, you will need to make modifications.

## CLOSED SOFFIT CABINET

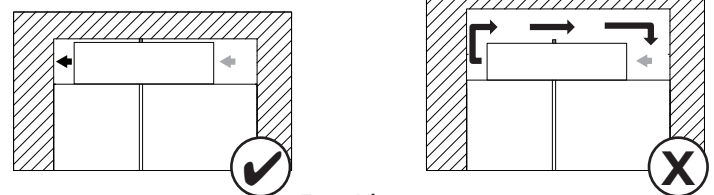


MODEL	WIDTH A
36	36" (91.4 cm)
42	42" (106.7 cm)

- Height of soffit must not exceed 84" (213.3 cm).
- Following illustrations explain the cabinet construction (soffit and rear wall positions) required for optimum ventilation and airflow.



Top View



Front View

Grey arrow = ambient air; Black arrow = warm air

Cabinet depth 25" and soffit located at 84", provides proper airflow/ventilation to the refrigerator. Efficient cooling is achieved.

Cabinet depth more than 25" and/or soffit located at more than 84", causes air gap at back and/or top of the refrigerator. Air gap allows warm air recirculation causing loss in cooling efficiency.

- If your opening does not meet these requirements, you will need to make modifications.

## ANTI-TIP BOARDS

For open to ceiling or soffit cabinet constructions the refrigerator must be braced with the help of primary and secondary anti-tip boards.

### PRIMARY ANTI-TIP BOARDS

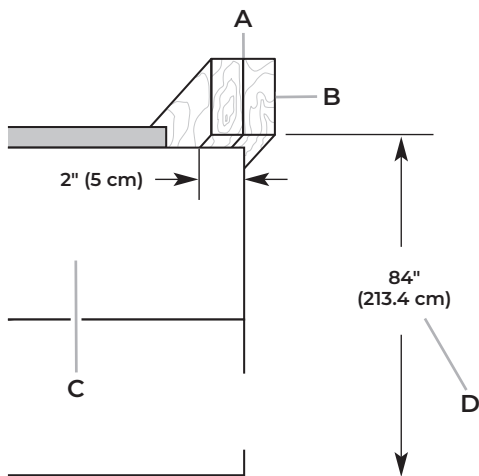
#### IMPORTANT:

- It is recommended that primary anti-tip boards be installed before the refrigerator is installed.
- Boards must be long enough to fully cover the width of the compressor cover.
- Place the boards so that the bottom surfaces of the boards are 84" (213 cm) from the floor.
- During installation, raise the refrigerator up until the top of the refrigerator is making contact with the bottom of the anti-tip boards. Do not crush the compressor cover when raising the rear leveling legs.

**NOTE:** The foam gasket, on top of the compressor cover, will compress to fit under the anti-tip board(s). There is no need to trim the gasket.

To install primary anti-tip boards-

1. Mark the stud locations on rear wall.
2. Securely attach two 2" x 4" x 32" (5 cm x 10 cm x 81 cm) boards to wall studs behind refrigerator. Use six #8 x 3" (7.6 cm) (or longer) wood screws. The wood screws must be screwed into the studs at least 1½" (3.8 cm). The boards must overlap the compressor cover.



- A. Two 2" x 4" x 32" (5 cm x 10 cm x 81 cm) boards  
 B. Attach to studs with six #8 x 3" (7.6 cm) screws.  
 C. Compressor cover  
 D. Distance from bottom of anti-tip boards to floor

## SECONDARY ANTI-TIP BOARDS

### ⚠ WARNING



#### Tip Over Hazard

**Refrigerator is top heavy and tips easily when not completely installed.**

**Install secondary anti-tip board to ensure product stability.**

**Use two or more people to move and install refrigerator.**

**Failure to do so can result in death or serious injury.**

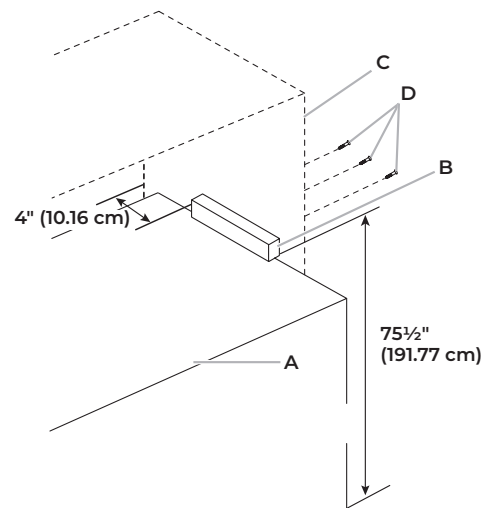
- For all full height door or armoire panel installations, the secondary anti-tip board is required to be installed prior to door panel installation.
- This anti-tip board is to be secured on the right side of the cabinet enclosure as per the dimensions shown in illustration.
- Secure the secondary anti-tip board so that the bottom surface of the secondary anti-tip board is 75½" (191.77 cm) from the floor (right hand side).

To install secondary anti-tip board-

1. Mark the stud locations on right hand side cabinet wall.
2. Securely attach one 2" x 4" x 12" (5 cm x 10 cm x 30.4 cm) board to the cabinet on right hand side cabinet using wood screws. Use three #8 x 2" (5.08 cm) (or longer) wood screws.

#### NOTE:

- It is recommended to drive the wood screws from cabinet wall into the secondary anti-tip board as shown in the illustration.
- The board must have overlap of 1" (2.54) with the refrigerator top.
- Leave 4" (10.16 cm) free space at rear as shown in the illustration.



- A. Refrigerator  
 B. Secondary anti-tip board  
 C. Kitchen cabinet  
 D. Wood screws

## LOCATION REQUIREMENTS

### **⚠ WARNING**



#### **Explosion Hazard**

**Keep flammable materials and vapors, such as gasoline, away from refrigerator.**

**Failure to do so can result in death, explosion, or fire.**

**IMPORTANT:** This refrigerator is designed for indoor, household use only.

This appliance is intended to be used in household and similar applications such as:

- Staff kitchen areas in shops, offices and other working environments.
- Farm houses and by clients in hotels, motels and other residential type environments.
- Bed and breakfast type environments.
- Catering and similar non-retail applications.

**NOTE:** The refrigerator is intended for use in a location where the temperature ranges from a minimum of 55°F (13°C) to a maximum of 43°C (110°F). The preferred room temperature range for optimum performance, which reduces electricity usage and provides superior cooling, is between 15°C (60°F) and 32°C (90°F). It is recommended that you do not install the refrigerator near a heat source, such as an oven or radiator.

#### **IMPORTANT:**

- Observe all governing codes and ordinances.
- It is recommended that you do not install the refrigerator near an oven, radiator, or other heat source.
- Do not install in a location where the temperature will fall below 13°C (55°F).
- Floor must support the refrigerator weight, more than 600 lbs (272 kg), door panels and contents of the refrigerator. Flooring under refrigerator must be at same level as the room. Face of cabinetry must be plumb.
- Location should permit door to open fully. See "Door Swing Dimensions."
- Location must permit top grille removal. See "Site Preparation."

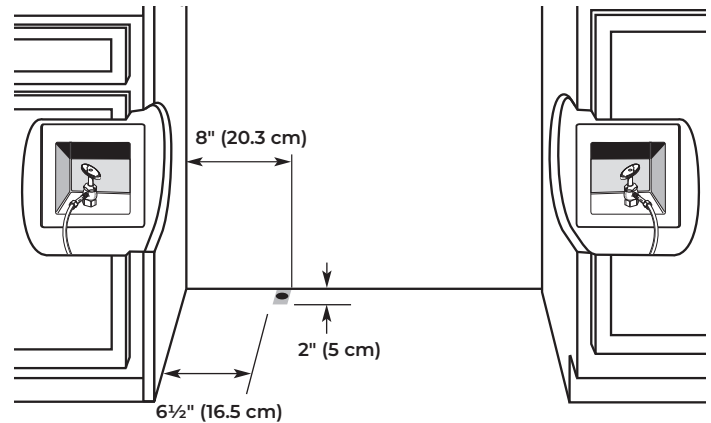
## WATER SUPPLY REQUIREMENTS

#### **IMPORTANT:**

- All installations must meet local plumbing code requirements.
- Connect to potable water supply only.

Do not use with water that is microbiologically unsafe or of unknown quality without adequate disinfection before or after the system. Systems certified for cyst reduction may be used on disinfected waters that may contain filterable cysts.

- There is not enough clearance to achieve a flush installation if a water shutoff valve is located in the wall behind the refrigerator.
- The water shutoff should be located in the base cabinet on either side of the refrigerator or some other easily accessible area. The water supply line, however, must come up through the floor in the gray shaded area shown.



- A 1/2" (12.7 mm) hole for plumbing should be drilled on the floor at least 6 1/2" (16.5 cm) from the left-hand side cabinet and should be no more than 2" (5 cm) away from the back wall. Refer above illustration for more details.
- The water supply connection is made at the front of the refrigerator.
- If additional tubing is needed, use copper tubing and check for leaks. Install the copper tubing only in areas where the household temperatures will remain above freezing.
- Do not use a piercing-type or 3/16" (4.76 mm) saddle valve which reduces water flow and also clogs more easily.

**NOTE:** Your refrigerator dealer has a kit available with a 1/4" (6.35 mm) saddle-type shutoff valve, a union, and copper tubing. Before purchasing, make sure a saddle-type valve complies with your local plumbing codes.

## WATER PRESSURE

A cold water supply with water pressure between 30 psi and 120 psi (207 kPa and 827 kPa) is required to operate the water dispenser and ice maker. If you have questions about your water pressure, call a licensed, qualified plumber.

## REVERSE OSMOSIS WATER SUPPLY

**IMPORTANT:** The pressure of the water supply coming out of a reverse osmosis system going to the water inlet valve of the refrigerator needs to be between 30 psi and 120 psi (207 kPa and 827 kPa).

If a reverse osmosis water filtration system is connected to your cold water supply, the water pressure to the reverse osmosis system needs to be a minimum of 40 psi to 60 psi (276 kPa to 414 kPa).

If the water pressure to the reverse osmosis system is less than 40 psi to 60 psi (276 kPa to 414 kPa):

- Check to see whether the sediment filter in the reverse osmosis system is blocked. Replace the filter if necessary.
- Allow the storage tank on the reverse osmosis system to refill after heavy usage.
- If your refrigerator has a water filter, it may further reduce the water pressure when used in conjunction with a reverse osmosis system. Remove the water filter cartridge.

If you have questions about your water pressure, call a licensed, qualified plumber.

## ELECTRICAL REQUIREMENTS

### ⚠ WARNING



#### Electrical Shock Hazard

**Plug into a grounded 3 prong outlet.**

**Do not remove ground prong.**

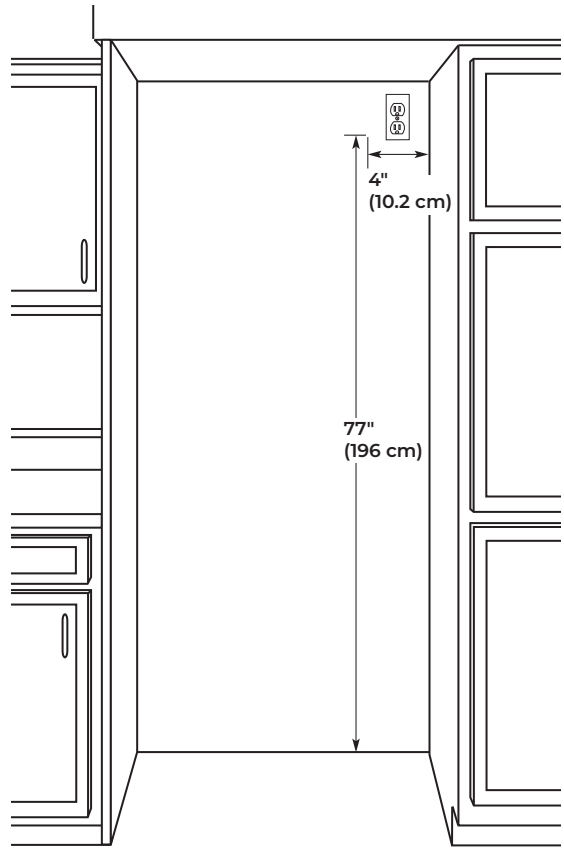
**Do not use an adapter.**

**Do not use an extension cord.**

**Failure to follow these instructions can result in death, fire, or electrical shock.**

Before you move your refrigerator into its final location, it is important to make sure you have the proper electrical connection.

A grounded 3 prong electrical outlet should be located within a specified number of inches from the right-hand side cabinets or end panel. See the chart following the illustration for the number of inches required for your model.



If the supply cord is damaged, it must be replaced by the manufacturer or its service agent or a similar qualified person. Do not use a cord that shows cracks or abrasion damage along its length or at either the plug or connection end.

## RECOMMENDED GROUNDING METHOD

A 115 V, 60 Hz AC only, 15 A or 20 A fused, grounded electrical supply is required. It is recommended that a separate circuit serving only your refrigerator be provided. Use an outlet that cannot be turned off by a switch. Do not use an extension cord.

**IMPORTANT:** If this product is connected to a GFCI (Ground Fault Circuit Interrupter) protected outlet, nuisance tripping of the power supply may occur, resulting in loss of cooling. Food quality and flavor may be affected. If nuisance tripping has occurred, and if the condition of the food appears poor, dispose of it.

**NOTE:** Before performing any type of installation or cleaning, remove the top grille and turn the master power switch to OFF or disconnect power at the circuit breaker box.

When you are finished, turn ON the master power switch or reconnect power at the circuit breaker box. Then reset the control to the desired setting.

## STAINLESS STEEL PANEL KIT INSTALLATION REQUIREMENTS

Refer instructions received with full height door panel kit.

## CUSTOM WOOD PANEL DIMENSIONS AND INSTALLATION REQUIREMENTS

Refer instructions received with Armoire kit.

# INSTALLATION INSTRUCTIONS

### UNPACK THE REFRIGERATOR

#### **⚠ WARNING**



##### Tip Over Hazard

Refrigerator is top heavy and tips easily when not completely installed.

Keep doors taped closed until refrigerator is completely installed.

Use two or more people to move and install refrigerator.

Failure to do so can result in death or serious injury.

#### IMPORTANT:

- Do not remove the film covering until the refrigerator is in its operating location.
  - All four leveling legs must contact the floor to support and stabilize the full weight of the refrigerator.
  - Keep the cardboard shipping piece or plywood under the refrigerator until it is installed in the operating location.
1. Remove and save the literature package and hardware kit located inside the refrigerator. Remove and save the literature, grille, and trim taped to the outside of the refrigerator.

**NOTE:** Do not remove tape and door bracing until the refrigerator is in its final location.

### MOVE THE REFRIGERATOR INTO HOUSE

#### **⚠ WARNING**



##### Tip Over Hazard

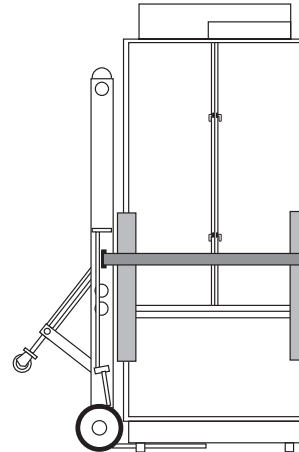
Refrigerator is top heavy and tips easily when not completely installed.

Keep doors taped closed until refrigerator is completely installed.

Use two or more people to move and install refrigerator.

Failure to do so can result in death or serious injury.

1. Place an appliance dolly under the left side of the refrigerator as shown. Place the corner posts from the packing materials over the trims as appropriate. Slowly tighten the strap.



2. Place pieces of the shipping carton on the floor when rolling the dolly and refrigerator into the house. Move the refrigerator close to the built-in opening.
3. Place top of cardboard carton or plywood under refrigerator. Stand the refrigerator up. First, place the left bottom edge of the refrigerator on the floor, stand the refrigerator upright and then lower the right-hand side of the refrigerator to the floor.
4. Reassemble the trim and top grille after the dolly has been removed from the refrigerator.

### CONNECT THE WATER SUPPLY

Read all directions before you begin.

#### IMPORTANT:

- If you turn the refrigerator on before the water line is connected, turn the ice maker OFF.
- Connect to potable water supply only.

Do not use with water that is microbiologically unsafe or of unknown quality without adequate disinfection before or after the system. Systems certified for cyst reduction may be used on disinfected waters that may contain filterable cysts.

### CONNECT TO WATER LINE

#### PARTS NEEDED

- Minimum 7 ft (2.13 m) flexible, codes-approved water supply line.

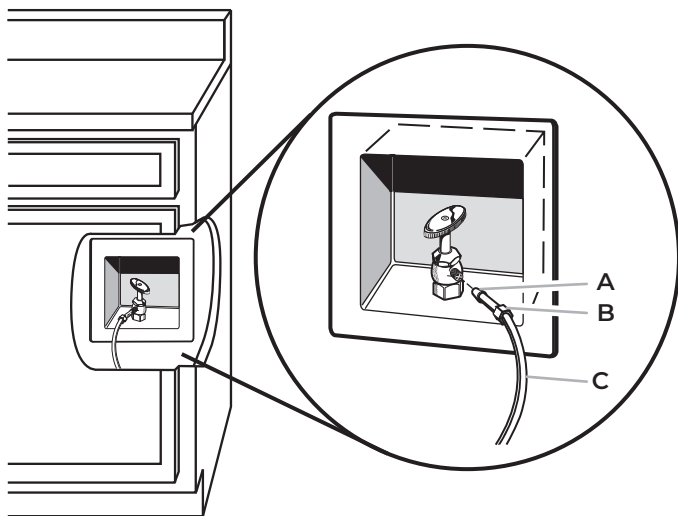
## STYLE 1—SHUTOFF VALVE CONNECTION

**NOTE:** If your water line connection does not look like Style 1, see “Style 2—Copper Line Connection.”

1. Unplug refrigerator or disconnect power supply.

### IMPORTANT:

- There is not enough clearance to achieve a flush installation if a water shutoff valve is located in the wall behind the refrigerator. The water shutoff should be located in the base cabinet on either side of the refrigerator.
  - Before attaching the tubing to shutoff valve, flush the main water supply line to remove particles and air in the water line. Allow enough flow so that water becomes clear. Flushing the water line may help avoid filters and/or water valves from becoming clogged.
2. Connect the flexible, codes-approved water supply line to the water shutoff valve by threading the provided nut onto the shutoff valve as shown.



A. Bulb  
B. Nut  
C. Water tubing

3. Place the end of the tubing into a bucket, and turn shutoff valve ON.
4. Check for leaks. Tighten any nuts or connections (including connections at the valve) that leak.

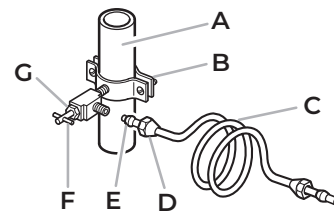
## STYLE 2—COPPER LINE CONNECTION

**NOTE:** If there is a water supply line that meets the specifications in “Water Supply Requirements,” proceed to “Connecting to Refrigerator.” If not, use the following instructions to connect to the household cold water supply.

1. Unplug refrigerator or disconnect power.
2. Turn OFF main water supply. Turn ON nearest faucet long enough to clear line of water.
3. Locate a 1/2" to 1 1/4" (1.3 cm to 3.18 cm) vertical cold water pipe near the refrigerator.

### IMPORTANT:

- Make sure it is a cold water pipe.
  - Horizontal pipe will work, but drill on the top side of the pipe, not the bottom. This will help keep water away from the drill and keep normal sediment from collecting in the valve.
4. Determine the length of copper tubing you need. Measure from the connection on the refrigerator to the water pipe. Add 7 ft (2.1 m) to allow for cleaning. Use 1/4" (6.35 mm) O.D. (outside diameter) copper tubing. Be sure both ends of copper tubing are cut square.
  5. Using a cordless drill, drill a 1/4" (6.35 mm) hole in the cold water pipe you have selected.



A. Cold water pipe  
B. Pipe clamp  
C. Copper tubing  
D. Compression nut  
E. Compression sleeve  
F. Shutoff valve  
G. Packing nut

6. Fasten the shutoff valve to the cold water pipe with the pipe clamp. Be sure the outlet end is solidly in the 1/4" (6.35 mm) drilled hole in the water pipe and that the washer is under the pipe clamp. Tighten the packing nut. Tighten the pipe clamp screws slowly and evenly so washer makes a watertight seal. Do not overtighten.

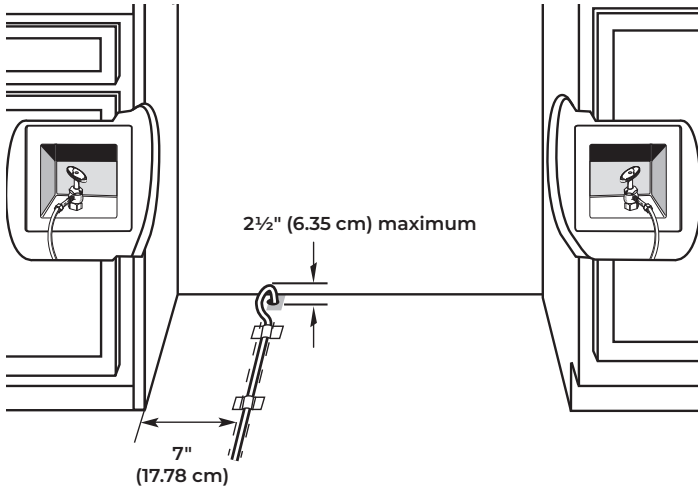
**IMPORTANT:** Before attaching the tubing to shutoff valve, flush the main water supply line to remove particles and air in the water line. Allow enough flow so that water becomes clear. Flushing the water line may help avoid filters and/or water valves from becoming clogged.

7. Slip the compression sleeve and compression nut on the copper tubing as shown. Insert the end of the tubing into the outlet end squarely as far as it will go. Screw compression nut onto outlet end with adjustable wrench. Do not overtighten the clamp or the sleeve. This will crush the copper tubing.
8. Turn off the shutoff valve on the water pipe. Coil the copper tubing.
9. Connect the flexible, codes-approved water supply line to the water shutoff valve by threading the provided nut onto the shutoff valve.
10. Place the end of the tubing into a bucket, and turn shutoff valve ON.
11. Check for leaks around the saddle valve. Tighten any nuts or connections (including connections at the valve) that leak.

## CONNECT TO REFRIGERATOR

### PARTS SUPPLIED

- 1/4" to 1/4" (6.35 mm to 6.35 mm) male-to-male coupling.



**NOTE:** The flexible, codes-approved water supply line should connect to the supply valve through the floor.

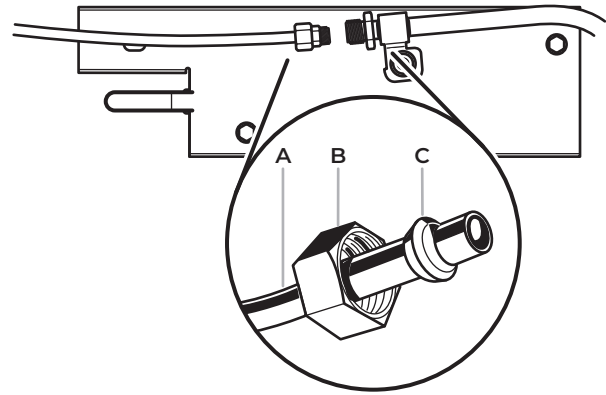
1. Unplug the refrigerator or disconnect power.
2. Connect the 7 ft (2.13 m) flexible codes-approved water tube to the water supply valve.
3. Flush the main water supply line to remove particles and air in the water line. Allow enough flow so that water becomes clear.
4. Tape the 7 ft (2.13 m) flexible codes-approved water supply line to the floor, 7" (17.78 cm) from the left side of the refrigerator. Tape along the length of the tubing, which will allow it to pass beneath the refrigerator without interference.

**NOTE:** Allow a minimum of 26" (66.04 cm) of flexible codes approved water supply line to be loose at the front of the refrigerator for connecting to the refrigerator.

5. Connect the 7 ft (2.13 m) flexible codes-approved water supply line to the refrigerator.

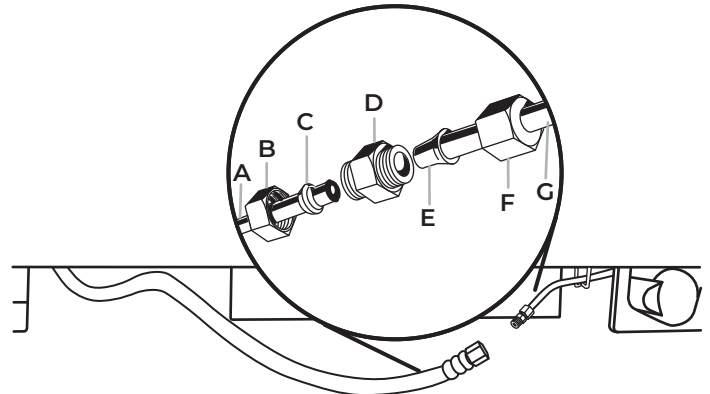
**NOTE:** If the main water shutoff valve is behind the refrigerator, a secondary water shutoff valve may be installed in line with the water supply line at the front of the product.

## OVERMOLD COUPLING (ON SOME MODELS)



- A. Household water line
- B. Nut (purchased)
- C. Ferrule (purchased)

## DISCRETE COUPLING (ON SOME MODELS)



- A. Household water line
- B. Nut (purchased)
- C. Ferrule (purchased)
- D. Coupling
- E. Bulb
- F. Nut
- G. Refrigerator water tubing

6. Turn on the water supply valve and check all connections for leaks.

## PLUG IN REFRIGERATOR

### ⚠ WARNING



#### Electrical Shock Hazard

**Plug into a grounded 3 prong outlet.**

**Do not remove ground prong.**

**Do not use an adapter.**

**Do not use an extension cord.**

**Failure to follow these instructions can result in death, fire, or electrical shock.**

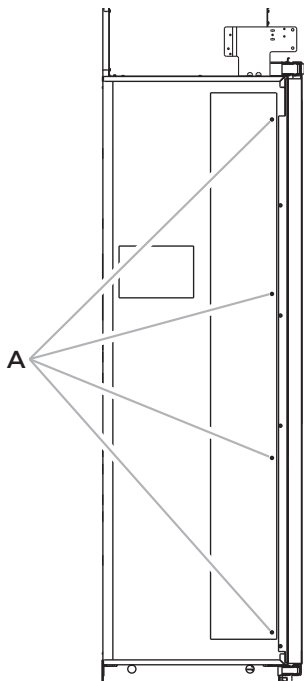
If the supply cord is damaged, it must be replaced by the manufacturer or its service agent or a similar qualified person. Do not use a cord that shows cracks or abrasion damage along its length or at either the plug or connection end.

1. Set control switch at top of cabinet to the OFF position.
2. Plug into a grounded 3 prong outlet.

## INSTALL SIDE TRIMS

The side trims cover the space between the refrigerator and the adjacent cabinets. There is a trim piece taped to each side of the refrigerator. Install each trim piece to the side of the refrigerator to which it is taped.

1. Remove the tape attaching the trim pieces to the sides of the refrigerator. Set the trim pieces aside.
2. Remove the four screws from the side of the refrigerator cabinet.

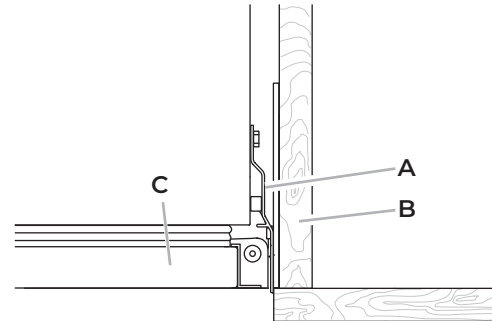


A. Side trim screws

3. Using the original holes and the screws removed in Step 2, fasten the side trim to the refrigerator cabinet.

**NOTE:** Make sure to fasten each trim piece to the side of the refrigerator cabinet from which it was removed. The tapered shaped edge should be forward with the notches aligning with the door hinges.

## TOP VIEW



A. Side trim  
B. Adjacent cabinet

C. Door

## MOVE REFRIGERATOR TO FINAL LOCATION

### ⚠ WARNING



#### Tip Over Hazard

**Refrigerator is top heavy and tips easily when not completely installed.**

**Keep doors taped closed until refrigerator is completely installed.**

**Use two or more people to move and install refrigerator.**

**Failure to do so can result in death or serious injury.**

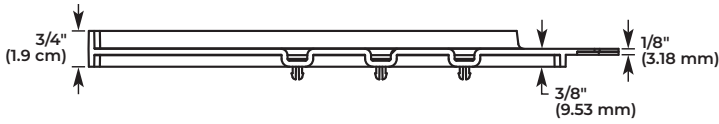
#### IMPORTANT:

- A flush installation is NOT possible with a 24" (60.9 cm) deep opening.
- To avoid floor damage, make sure levelers are raised (not touching floor) and refrigerator is on rollers before moving.
- Use the installation block, attached to the door hinge, as a reference to make sure the refrigerator is pushed back far enough into the opening, so that when the panels are installed they will be flush with the adjacent cabinets.



- After the refrigerator is leveled and aligned, remove the installation block from the door hinge and use it to check the spacing between the panels and adjacent cabinets.

**NOTE:** The installation block is designed to provide accurate spacing for 3/4" (1.9 cm), 3/8" (9.53 mm) and 1/8" (3.18 mm).

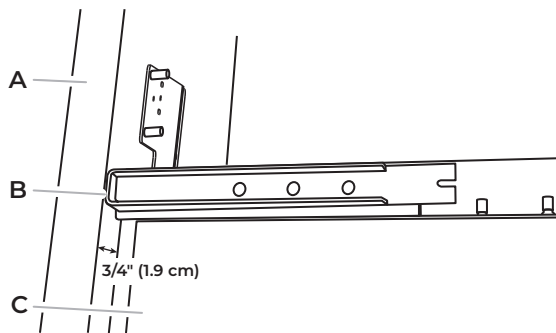


- Place top of cardboard carton or plywood under refrigerator. Remove dolly.
- Move the refrigerator straight back and evenly into the opening. Be sure that the water tubing is not kinked and the power supply cord is on top of the refrigerator.

**NOTE:** If the power supply cord is behind the refrigerator, it will not install properly.

- Make sure the installation block is flush with the adjacent cabinets.

**NOTE:** To achieve a flush installation, it is critical to verify a 3/4" (1.9 cm) depth from the front face of the adjacent cabinetry to the refrigerator.



A. Adjacent cabinet or wall  
B. Installation block  
C. Face of refrigerator

## LEVEL AND ALIGN REFRIGERATOR

### ⚠ WARNING



#### Tip Over Hazard

**Refrigerator is top heavy and tips easily when not completely installed.**

**Keep doors taped closed until refrigerator is completely installed.**

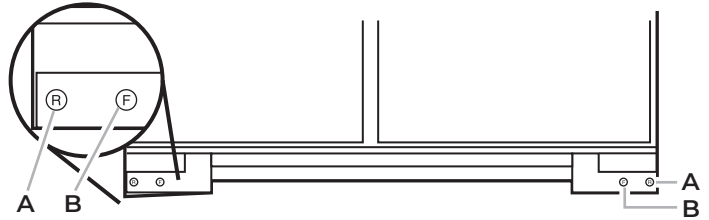
**Use two or more people to move and install refrigerator.**

**Failure to do so can result in death or serious injury.**

**IMPORTANT:** All four leveling legs must contact the floor to support and stabilize the full weight of refrigerator. Rollers are for moving the refrigerator, not for permanent support.

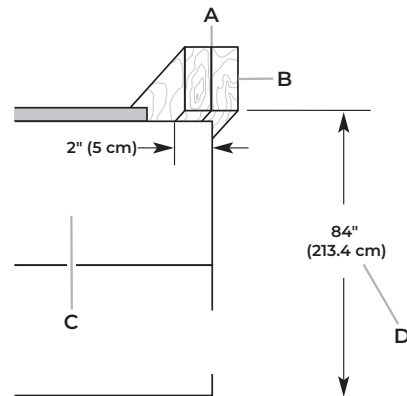
After moving the refrigerator to its final location:

- Use a 5/16" socket driver to turn the leveling bolts clockwise to extend the legs to the floor as shown. The rollers should be off the floor.



A. Rear leveling bolt  
B. Front leveling bolt

- Adjust the leveling legs to level and align the refrigerator from left to right and front to back so that the refrigerator is level and aligned with the cabinets.
- Continue adjusting the leveling legs until the top of the refrigerator is making contact with the bottom of the solid soffit, or the bottom of the anti-tip boards, if anti-tip boards were used. Do not crush the compressor cover.



A. Two 2" x 4" x 32" (5 cm x 10 cm x 81 cm) boards  
B. Attach to studs with six #8 x 3" (7.6 cm) screws  
C. Compressor cover  
D. Distance from bottom of anti-tip board to floor

**IMPORTANT:** Adjust in small increments to keep from damaging the cabinet trim and causing problems with the door alignment or top grille fit. To avoid damage to the cabinet or leveling legs, do not apply more than 50 inch-pounds (5.65 Nm) of torque to the leveling bolts. The leveling legs can be extended to a maximum of 1¼" (3.18 cm) below the rollers.

1. After leveling the refrigerator, again use a straight edge or 4-ft level across the front of the refrigerator installation blocks to the cabinets to check that the refrigerator is still flush.

### INSTALL PANELS

Refer instructions received with full height door panel kit /Armoire kit to install stainless steel / Custom Wood Overlay Panels.

**IMPORTANT:** JennAir is not responsible for the removal or addition of molding or wood overlay panels that would not allow access to the refrigerator for service.

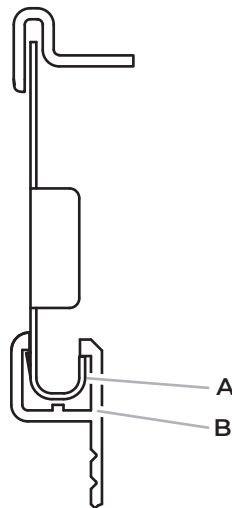
### INSTALL BASE GRILLE

There are two pieces to the base grille to allow for a custom fit: the base grille itself and the skirt. The skirt can be added to the base grille in order to extend it all the way to the floor.

1. To see whether the skirt is needed, place the base grille into position. Do not attach the base grille to the refrigerator. Measure the distance between the bottom of the base grille and the floor. The gap must be a minimum of 1/2" (1.27 cm) in order to add the skirt.

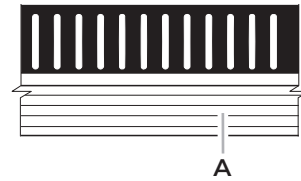
**NOTE:** If the gap measures less than 1/2" (1.27 cm), skip steps 3 and 4 of the instructions, and install the base grille only.

2. Remove the film from the base grille.
3. Snap the skirt onto the base grille.



A. Base grille  
B. Skirt

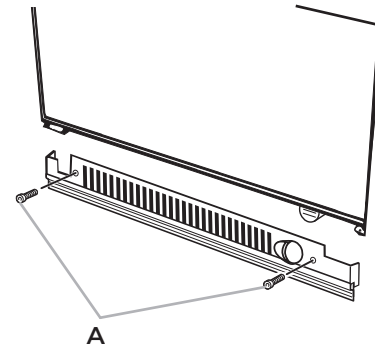
4. Trim the skirt by scoring the proper "V" groove with a utility knife. Break the skirt at the score line.



A. "V" groove

5. Using the 2 screws, attach the base grille assembly to the refrigerator as shown.

**NOTE :** Drive in the right side screw first.



A. Screws

### COMPLETE INSTALLATION

1. Turn the water supply line valve to the "Open" position.
2. Turn the refrigerator switch to the ON position. See "Power On/ Off Switch" in the Use & Care Guide for instructions. Wait a few minutes. Check the water line connections for leaks.
3. Remove all boxes, parts packages and packing materials from the interior of the refrigerator. See the "Cleaning" section in the Use & Care Guide for instructions. Remove the film and cardboard from the grille and doors or door frame, depending on your model.
4. Install the shelves and bins in the refrigerator and freezer compartments.
5. The controls are preset at the factory to the midpoint setting. Check that the compressor is operating properly and that all the lights are working.
6. Flush the water system before use. See "Water System Preparation."

To get the most efficient use from your new built-in refrigerator, read the Use & Care Guide. Keep Installation Instructions and Use & Care Guide near the built-in refrigerator for easy reference.

# INTRODUCTION

## SÉCURITÉ DU RÉFRIGÉRATEUR

### **Votre sécurité et celle des autres est très importante.**

Nous donnons de nombreux messages de sécurité importants dans ce manuel et sur votre appareil ménager. Assurez-vous de toujours lire tous les messages de sécurité et de vous y conformer.



Voici le symbole d'alerte de sécurité.

Ce symbole d'alerte de sécurité vous signale les dangers potentiels de décès et de blessures graves à vous et à d'autres.

Tous les messages de sécurité suivront le symbole d'alerte de sécurité et le mot "DANGER" ou "AVERTISSEMENT". Ces mots signifient :

**⚠ DANGER**

**Risque possible de décès ou de blessure grave si vous ne suivez pas immédiatement les instructions.**

**⚠ AVERTISSEMENT**

**Risque possible de décès ou de blessure grave si vous ne suivez pas les instructions.**

Tous les messages de sécurité vous diront quel est le danger potentiel et vous disent comment réduire le risque de blessure et ce qui peut se produire en cas de non-respect des instructions.

**⚠ AVERTISSEMENT**



#### **Risque de basculement**

**Le réfrigérateur est lourd au sommet et bascule facilement lorsqu'il n'est pas complètement installé.**

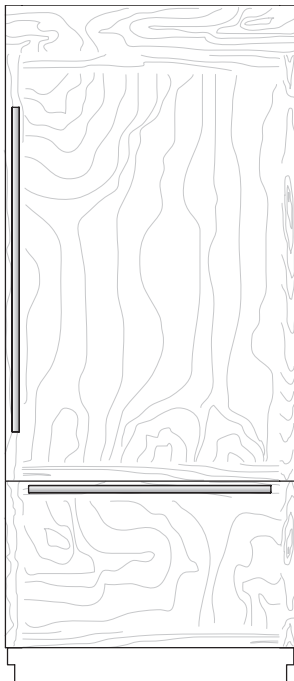
**Garder les portes fermées avec un ruban adhésif jusqu'à l'installation complète du réfrigérateur.**

**Utiliser deux ou plus de personnes pour déplacer et installer le réfrigérateur.**

**Le non-respect de ces instructions peut causer un décès ou une blessure grave.**

# VARIANTES ET ACCESSOIRES

## MODÈLES AVEC PORTE SIMPLE DE 36 PO

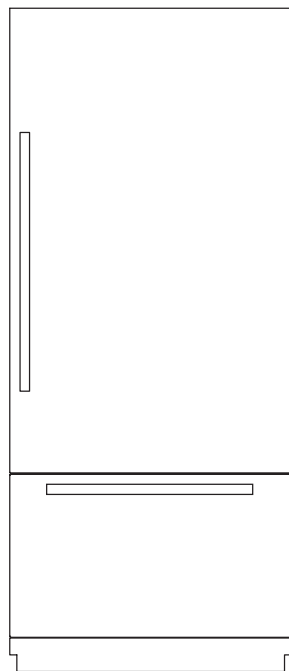


### Conception de panneaux personnalisés

Comporte des panneaux et du matériel personnalisés fournis par l'ébéniste pour une apparence harmonieuse conçue pour s'intégrer aux armoires de cuisine existantes.

**Numéros de modèles de base :** JB36NFXLE et JB36NFXRE

**NUMÉRO D'ENSEMBLE POUR ARMOIRE :** W10663562

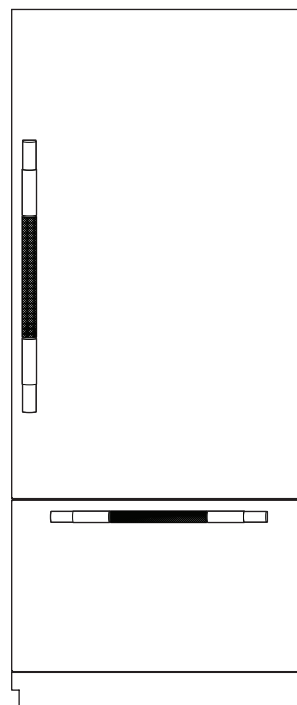


### Acier inoxydable NOIR™

Portes avec habillage en acier inoxydable et nouvelles poignées NOIR™.

**Numéros de modèles de base :** JB36NFXLE et JB36NFXRE

**Numéro de modèle d'ensemble de panneaux :**  
JBBFR36NHM et JBBFL36NHM



### Acier inoxydable RISE™

Portes avec habillage en acier inoxydable et nouvelles poignées RISE™.

**Numéros de modèles de base :** JB36NFXLE et JB36NFXRE

**Numéro de modèle d'ensemble de panneaux :**  
JBBFR36NHL et JBBFL36NHL

## ACCESSOIRES

Toutes les pièces d'usine sont disponibles en appelant JennAir® au **1 800 JENNAIR (536-6247)**. Au Canada, composer le **1 800 807-6777**.

### ENSEMBLES DE POIGNÉES DE PORTE

Pour des panneaux de bois décoratifs personnalisés uniquement, il est possible de commander des ensembles de poignées. Suivre les instructions de l'ensemble pour l'installation.

Chaque ensemble de poignées contient 2 poignées.

**IMPORTANT :** Ces ensembles de poignées ne sont pas conçus pour être utilisés avec des ensembles de panneaux de porte en acier inoxydable.

Acier inoxydable RISE™ – Réfrigérateur avec congélateur en bas – W11231245

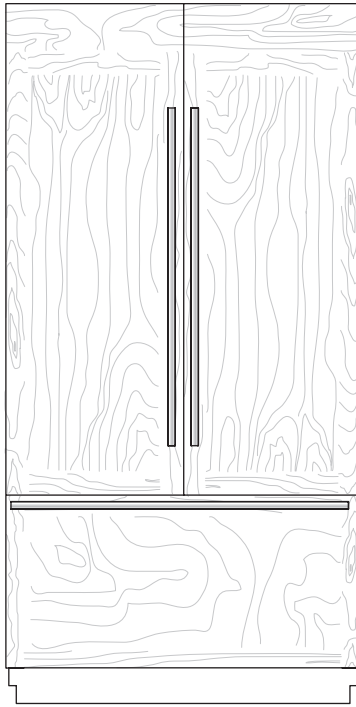
Acier inoxydable NOIR™ – Réfrigérateur avec congélateur en bas – W11194767

### ENSEMBLE DE PANNEAUX POUR PORTE DE STYLE ARMOIRE

Consulter les instructions d'installation incluses avec l'ensemble pour armoire pour obtenir les dimensions des panneaux de bois décoratifs personnalisés et les détails d'installation.

Modèle de 36 po – W10663562

## MODÈLES AVEC PORTE À DOUBLE BATTANT DE 36 PO ET 42 PO



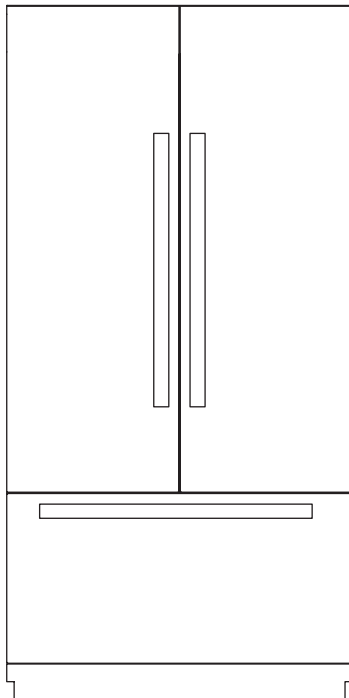
### Conception de panneaux personnalisés

Comporte des panneaux et du matériel personnalisés fournis par l'ébéniste pour une apparence harmonieuse conçue pour s'intégrer aux armoires de cuisine existantes.

**Numéros de modèles de base :** JF42NFXDE et JF36NFXDE

### NUMÉRO D'ENSEMBLE POUR ARMOIRE :

W10663562 et W10663564



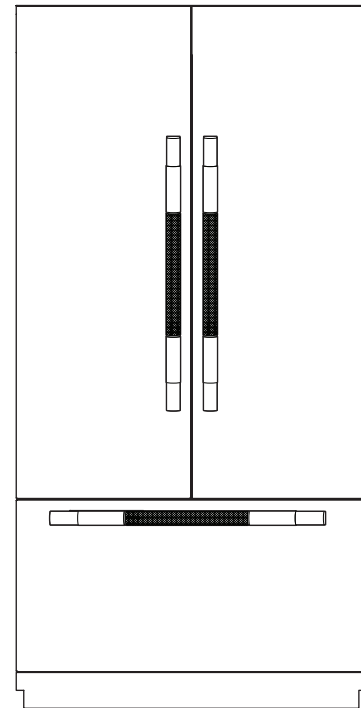
### Acier inoxydable NOIR™

Portes avec habillage en acier inoxydable et nouvelles poignées NOIR™.

**Numéros de modèles de base :** JF42NFXDE et JF36NFXDE

### Numéro de modèle d'ensemble de panneaux :

JBFFS42NHM et JBFFS36NHM



### Acier inoxydable RISE™

Portes avec habillage en acier inoxydable et nouvelles poignées RISE™.

**Numéros de modèles de base :** JF42NFXDE et JF36NFXDE

### Numéro de modèle d'ensemble de panneaux :

JBFFS42NHL et JBFFS36NHL

## ACCESSOIRES

Toutes les pièces d'usine sont disponibles en appelant JennAir® au **1 800 JENNAIR (536-6247)**. Au Canada, composer le **1 800 807-6777**.

### ENSEMBLES DE POIGNÉES DE PORTE

Pour des panneaux de bois décoratifs personnalisés uniquement, il est possible de commander des ensembles de poignées. Suivre les instructions de l'ensemble pour l'installation.

Chaque ensemble de poignées contient 3 poignées.

**IMPORTANT :** Ces ensembles de poignées ne sont pas conçus pour être utilisés avec des ensembles de panneaux de porte en acier inoxydable.

Acier inoxydable RISE™ – Réfrigérateur avec porte à double battant et congélateur en bas de 36 po – W11231247

Acier inoxydable NOIR™ – Réfrigérateur avec porte à double battant et congélateur en bas de 36 po – W11194768

Acier inoxydable RISE™ – Réfrigérateur avec porte à double battant et congélateur en bas de 42 po – W11296021

Acier inoxydable NOIR™ – Réfrigérateur avec porte à double battant et congélateur en bas de 42 po – W11194769

### ENSEMBLE DE PANNEAUX POUR PORTE DE STYLE ARMOIRE

Consulter les instructions d'installation incluses avec l'ensemble pour armoire pour obtenir les dimensions des panneaux de bois décoratifs personnalisés et les détails d'installation.

Modèle de 36 po – W10663562

Modèle de 42 po – W10663564

# EXIGENCES D'INSTALLATION

## OUTILS ET PIÈCES

### IMPORTANT :

- Installateur : Remettre les instructions d'installation au propriétaire.
- Propriétaire : Conserver les instructions d'installation pour référence ultérieure. Conserver ces instructions d'installation pour consultation par l'inspecteur local des installations électriques.

### OUTILS REQUIS :

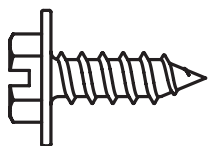
Rassembler les outils et pièces nécessaires avant d'entreprendre l'installation.

Lire et observer les instructions fournies avec chacun des outils de la liste ci-dessous.

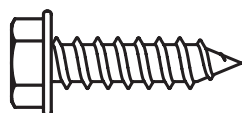
- Perceuse sans fil
- Forets
- Clés à molette (2)
- Tournevis cruciforme
- Petit niveau
- Clé hexagonale de 3/32 po (ensemble de panneaux seulement)
- Tourne-écrou de 11/32 po
- Clés à fourche de 3/8 po et 1/2 po
- Clés hexagonales de 5/32 po et 3/16 po
- Tournevis à douille de 1/4 po et 5/16 po
- Ruban à mesurer
- Couteau utilitaire
- Ruban de masquage (de peintre)
- Chariot pour appareil ménager

### PIÈCES NÉCESSAIRES :

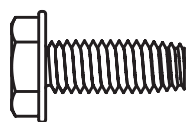
- Vis à bois no 8 x 3 po (7,6 cm) (il peut être nécessaire d'utiliser des vis plus longues) (6)
- Panneaux de bois de 2 po x 4 po x 32 po (5 cm x 10 cm x 81 cm) (2)
- Panneaux de bois personnalisés décoratifs – consulter un ébéniste ou un menuisier qualifié pour la réalisation des panneaux de bois personnalisés. Voir « Exigences d'installation et dimensions des panneaux de bois personnalisés » pour plus d'informations.
- Tuyau d'alimentation en eau flexible approuvé par les codes en vigueur, virole, raccord et raccord de compression de 1/4 po (6,35 mm).



Vis à tête hexagonale fendue W10141645 (21)



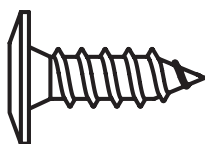
Vis pointue à tête hexagonale W10141189 (8)



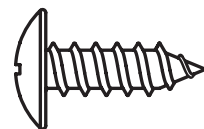
Vis sans pointe à tête hexagonale W10142233 (4)



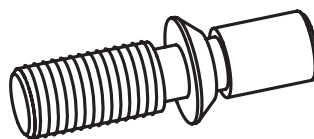
Rondelle à épaulement (utiliser avec une vis à tête hexagonale pointue) W10471946 (4)



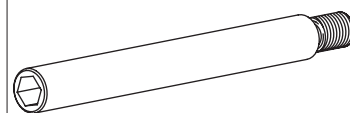
Vis à tête plate cruciforme 8281252 (28)



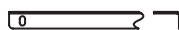
Vis à tête bombée 1163283 (24)



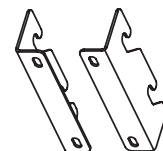
Tige d'ajustement de la porte (préinstallée) W10234194 (2)



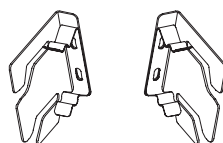
Goupille de butée W10234202 (2)



Support du panneau de tiroir W10606815 (2)



Support de grille intégrée standard W10182743 – gauche (1)  
W10182741 – droit (1)



Support de grille entièrement intégrée W10260890 – gauche (1)  
W10260891 – droit (1)



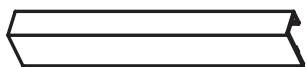
Support en « L » pour panneau de remplissage W10234199 (2)



Support supérieur pour panneau W10667450 (2)



Garniture inférieure de la grille supérieure W10634858 – Réfrigérateur avec congélateur en bas de 36 po (1)  
W10606812 – Réfrigérateur avec congélateur en bas de 42 po, côte à côte (1)

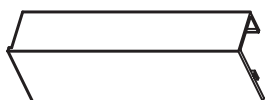


Garniture de couvre-charnière (compartment réfrigération)

W10648975 – Réfrigérateur avec congélateur en bas de 36 po (droit)

W10564251 – Réfrigérateur avec porte à double battant et congélateur en bas de 36 po (droit)

W10606804 – Réfrigérateur avec porte à double battant et congélateur en bas de 42 po (droit)

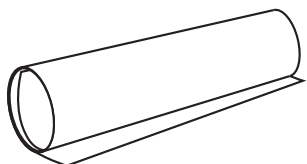


Garniture de couvre-charnière (compartment congélation)

W10611107 – Réfrigérateur avec congélateur en bas de 36 po (gauche)

W10582015 – Réfrigérateur avec porte à double battant et congélateur en bas de 36 po (gauche)

W10606808 – Réfrigérateur avec porte à double battant et congélateur en bas de 42 po (gauche)



Modèles de panneau

W10222281 – côte à côte

W10488115 – Réfrigérateur avec congélateur en bas de 36 po

W10704869 – Réfrigérateur avec porte à double battant et congélateur en bas de 36 po

W10488118 – Réfrigérateur avec porte à double battant et congélateur en bas de 42 po

W10489178 – Grille



Garniture de porte du côté poignée

W10611106 – Réfrigérateur avec congélateur en bas (gauche)

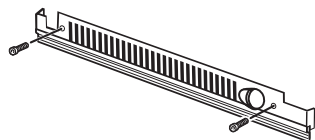
W10648977 – Réfrigérateur avec congélateur en bas (droit)

W10606802 – Réfrigérateur avec porte à double battant et congélateur en bas (droit)

W10606806 – Réfrigérateur avec porte à double battant et congélateur en bas (gauche)



Cale d'installation  
W10234156



Grille – inférieure/plinthe – grille

W10189198/W10188549 – Réfrigérateur avec congélateur en bas de 42 po

W10189196/W10188547 – Réfrigérateur avec congélateur en bas de 36 po

W10005050 – 2 vis

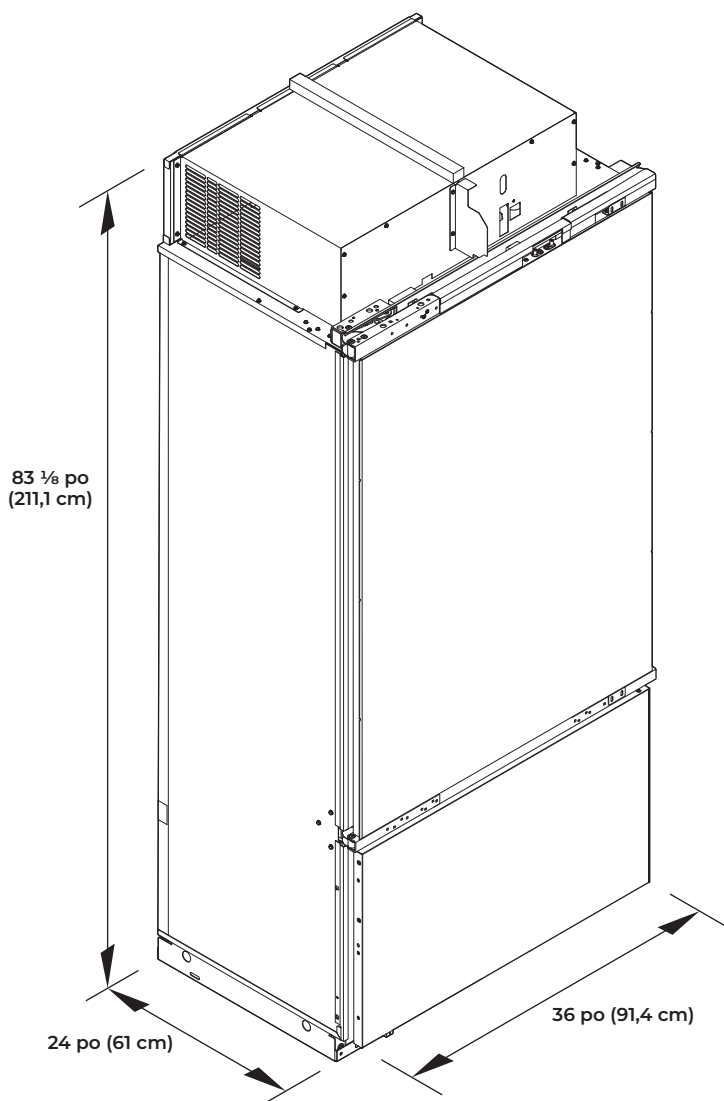
## DIMENSIONS DU PRODUIT

- Les dimensions de largeur ont été relevées d'une charnière à l'autre.
- Lorsque les pieds de nivellement sont totalement déployés de 1 ¼ po (3,2 cm) au-dessous des roulettes, ajouter 1 ¼ po (3,2 cm) à la hauteur totale.

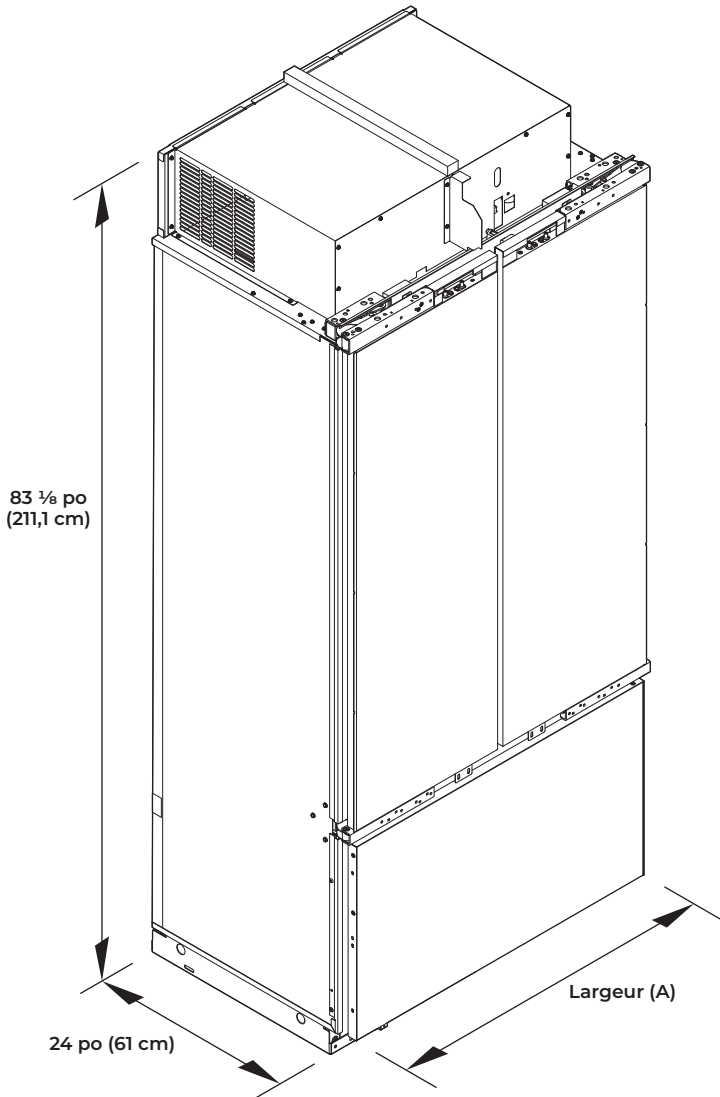
### REMARQUE :

- Ne pas retirer le joint en mousse du sommet du couvercle du compresseur sauf s'il est nécessaire de le retirer pour installer l'appareil sous un soffite. Retirer le joint peut affecter les performances de refroidissement.
- Si l'appareil est installé sous un soffite massif, relever les pieds de nivellement après l'installation pour que le joint soit solidement appuyé contre le soffite.

### MODÈLE AVEC PORTE SIMPLE DE 36 PO



## MODÈLES DE RÉFRIGÉRATEUR AVEC CONGÉLATEUR EN BAS ET PORTE À DOUBLE BATTANT



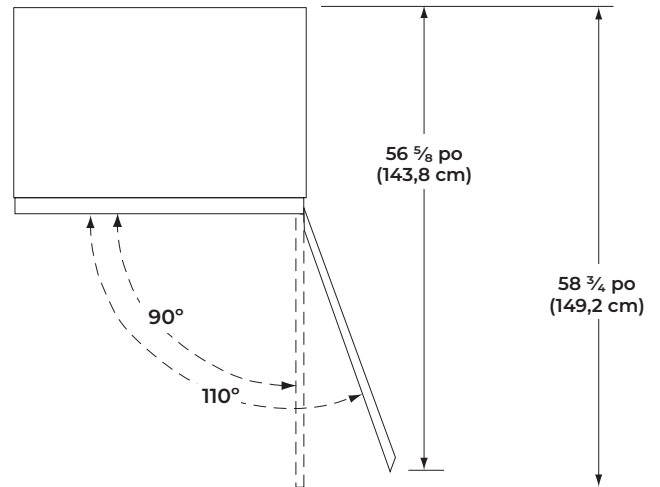
MODÈLE	LARGEUR A (DU REBORD D'UNE CHARNIÈRE AU REBORD DE L'AUTRE)
36	35 3/4 po (90,8 cm)
42	41 3/4 po (106 cm)

## DIMENSIONS POUR L'OUVERTURE DES PORTES

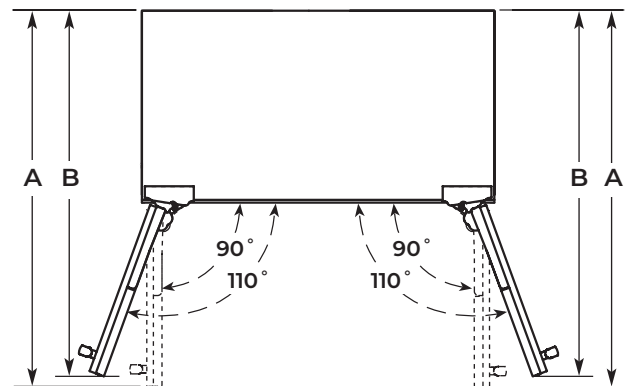
L'emplacement d'installation doit permettre l'ouverture des deux portes à un angle minimal de 90°. Laisser un espace libre d'au moins 4 1/2 po (11,4 cm) entre le côté du réfrigérateur et un mur d'angle.

**REMARQUE :** Un dégagement plus grand peut être nécessaire si l'on utilise des panneaux de bois décoratifs, des poignées personnalisées ou des poignées de plus grande profondeur.

### MODÈLE AVEC PORTE SIMPLE DE 36 PO



### MODÈLES AVEC PORTE À DOUBLE BATTANT DE 36 PO (91,4 CM) ET 42 PO (106,6 CM)

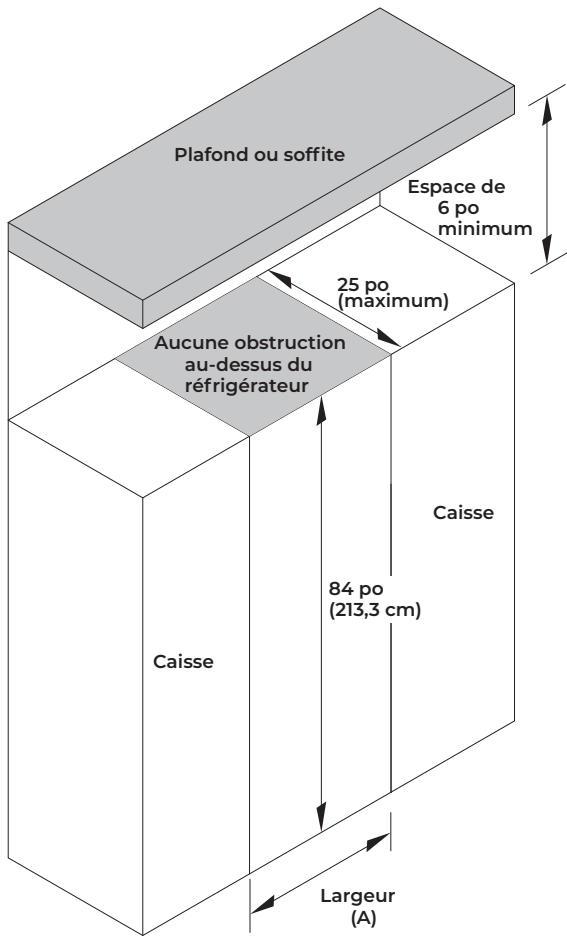


MODÈLE	A	B
36	41 po (104 cm)	39 3/4 po (101 cm)
42	44 po (111,8 cm)	42 3/4 po (108,6 cm)



## PRÉPARATION DU SITE

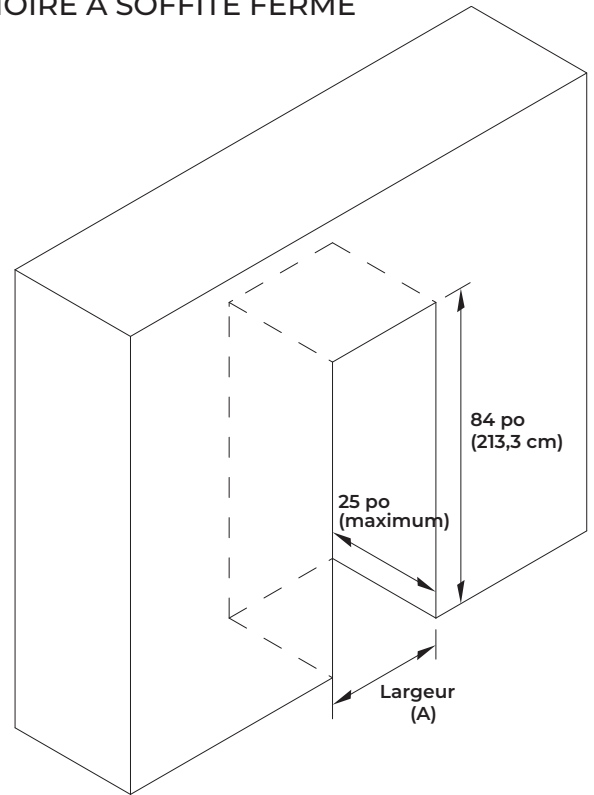
### OUVERTURE VERS LE PLAFOND OU L'ARMOIRE SOFFITE



MODÈLE	LARGEUR A
36	36 po (91,4 cm)
42	42 po (106,7 cm)

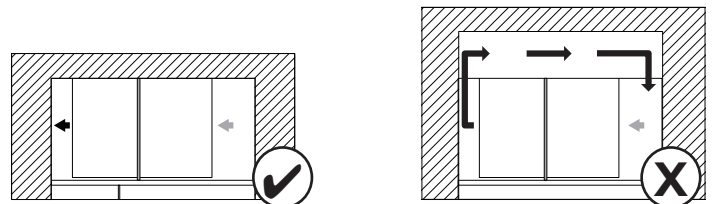
- Ces types d'installation exigent un dégagement de 6 po (15,24 cm) au moins au-dessus du réfrigérateur. Cet espace doit être totalement dégagé, notamment d'éventuels soffites.
- La profondeur de l'armoire doit être de moins de 25 po (63,5 cm).
- Si l'ouverture d'encastrement ne respecte pas ces conditions, des modifications devront être apportées.

## ARMOIRE À SOFFITE FERMÉ

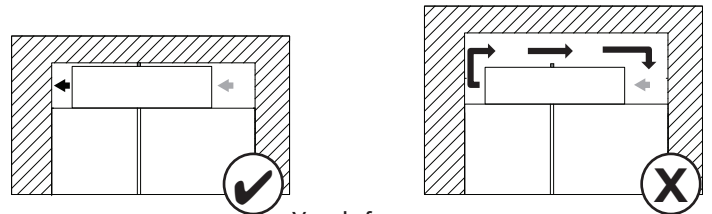


MODÈLE	LARGEUR A
36	36 po (91,4 cm)
42	42 po (106,7 cm)

- La hauteur du soffite ne doit pas dépasser 84 po (213,3 cm).
- Les illustrations suivantes expliquent les exigences de construction de l'armoire (position du soffite et du mur arrière) pour une ventilation et circulation d'air optimales.



Vue de dessus



Vue de face

Flèche grise = air; ambiant

Flèche noire = air chaud

Une profondeur d'armoire de 25 po et un emplacement de soffite à 84 po offrent la bonne ventilation/circulation d'air pour le réfrigérateur. Obtention du refroidissement approprié.

Une armoire plus profonde que 25 po ou un soffite situé à plus de 84 po causera un espace à l'arrière ou au-dessus du réfrigérateur. L'espace permet à l'air chaud de circuler, ce qui rend le refroidissement moins efficace.

- Si l'ouverture d'encastrement ne respecte pas ces conditions, des modifications devront être apportées.

## PANNEAUX ANTIBASCULEMENTS

Pour les constructions avec ouverture vers le plafond ou cabinet soffite, le réfrigérateur doit être arrimé à l'aide de panneaux antibascullements primaires et secondaires.

### PANNEAUX ANTIBASCULEMENTS PRIMAIRES

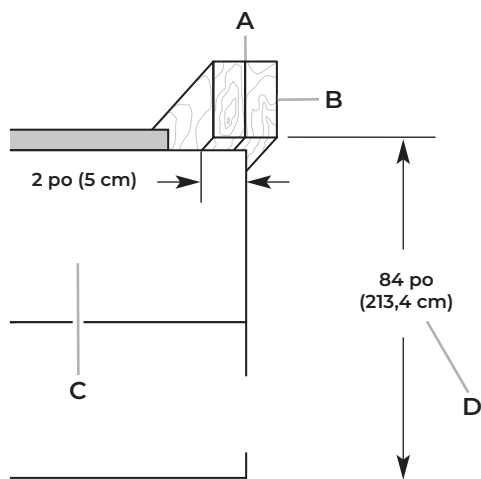
#### IMPORTANT :

- On recommande la mise en place de panneaux antibascullements primaires avant l'installation du réfrigérateur.
- Il faut que les panneaux soient assez longs pour recouvrir complètement le couvercle du compresseur sur toute la largeur.
- Placer les panneaux de telle manière que les surfaces inférieures se trouvent à 84 po (213 cm) du plancher.
- Pendant l'installation, soulever le réfrigérateur jusqu'à ce que le haut du réfrigérateur soit en contact avec le bas des panneaux antibascullement. Veiller à ne pas écraser le couvercle du compresseur lors du soulèvement des pieds de nivellement arrière.

**REMARQUE :** Le joint en mousse sur le sommet du couvercle du compresseur se comprimera pour tenir sous la ou les panneaux antibascullement. Il n'est pas nécessaire de découper le joint.

Installation d'un panneau antibascullement primaire

1. Marquer les emplacements des montants sur le mur arrière.
2. Fixer solidement deux panneaux de 2 x 4 x 32 po (5 cm x 10 cm x 81 cm) sur les montants muraux derrière le réfrigérateur. Utiliser 6 vis à bois no 8 x 3 po (7,6 cm) ou plus longues. Les vis à bois doivent pénétrer dans les montants d'au moins 1 ½ po (3,8 cm). Les panneaux doivent être placés en chevauchement sur le couvercle du compresseur.



- A. Deux panneaux de 2 po x 4 po x 32 po (5 cm x 10 cm x 81 cm)  
 B. Fixer aux montants avec six vis no 8 x 3 po (7,6 cm).  
 C. Couvercle du compresseur  
 D. Distance entre le bas du panneau antibascullement et le plancher

## PANNEAUX ANTIBASCULEMENTS SECONDAIRES

### ⚠ AVERTISSEMENT



#### Risque de basculement

**Le réfrigérateur est lourd au sommet et bascule facilement lorsqu'il n'est pas complètement installé.**

**Installer le panneau antibascullement secondaire pour assurer la stabilité du produit.**

**Utiliser deux ou plus de personnes pour déplacer et installer le réfrigérateur.**

**Le non-respect de ces instructions peut causer un décès ou une blessure grave.**

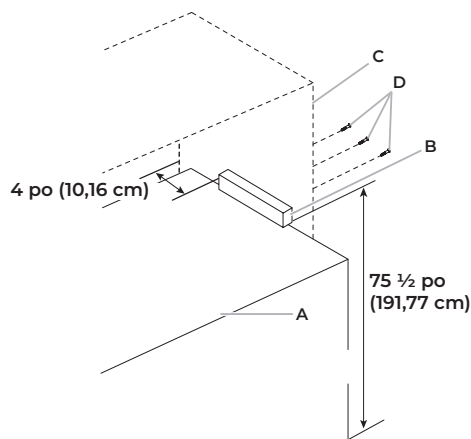
- Pour toutes les installations de panneaux de porte ou d'armoire pleine grandeur, le panneau antibascullement secondaire doit être installé avant le panneau de porte.
- Ce panneau antibascullement doit être fixé sur le côté droit de l'ouverture dans l'armoire selon les dimensions indiquées dans l'illustration.
- Fixer le panneau antibascullement secondaire pour que la surface du bas du panneau antibascullement secondaire soit à 75 ½ po (191,77 cm) du plancher (côté droit).

Installation d'un panneau antibascullement secondaire

1. Marquer l'emplacement des montants sur le mur de l'armoire de droite.
2. Fixer de façon sécuritaire un panneau de 2 po x 4 po x 12 po (5 cm x 10 cm x 30,4 cm) à l'armoire de droite en utilisant des vis à bois. Utiliser 3 vis à bois no 8 x 2 po (5,08 cm) ou plus longues.

#### REMARQUE :

- Il est recommandé de visser les vis à bois à partir de la paroi de l'armoire vers le panneau antibascullement secondaire comme illustré.
- Le panneau doit chevaucher de 1 po (2,54 cm) le haut du réfrigérateur.
- Laisser 4 po (10,16 cm) d'espace à l'arrière comme illustré.



- A. Réfrigérateur  
 B. Panneau antibascullement secondaire  
 C. Armoire de cuisine  
 D. Vis à bois

## EXIGENCES D'EMPLACEMENT

### **⚠ AVERTISSEMENT**



#### Risque d'explosion

**Garder les matériaux et les vapeurs inflammables, telle que l'essence, loin du réfrigérateur.**

**Le non-respect de cette instruction peut causer un décès, une explosion ou un incendie.**

**IMPORTANT :** Ce réfrigérateur est conçu pour un usage domestique, à l'intérieur uniquement.

Cet appareil est destiné à un usage domestique et à d'autres usages similaires comme :

- espace de cuisine pour personnel de boutiques, bureaux et autres environnements professionnels;
- résidences fermières et utilisation par les clients d'hôtels, de motels et d'autres types de résidences;
- Environnements de type chambres d'hôtes;
- Banquets et autres utilisations non commerciales semblables.

**REMARQUE :** Le réfrigérateur est conçu pour être utilisé dans un endroit où la température est comprise entre un minimum de 13 °C (55 °F) et un maximum de 43 °C (110 °F). La plage de température ambiante idéale pour un rendement optimal est comprise entre 15 °C (60 °F) et 32 °C (90 °F). Respecter cette plage de température permet aussi de réduire la consommation d'électricité et d'optimiser l'efficacité du refroidissement. Il est recommandé de ne pas installer le réfrigérateur près d'une source de chaleur comme un four ou un radiateur.

#### **IMPORTANT :**

- Observer les dispositions de tous les codes et règlements en vigueur.
- Il est conseillé de ne pas installer le réfrigérateur près d'un four, d'un radiateur ou de toute autre source de chaleur.
- Ne pas installer l'appareil dans un endroit où la température pourrait descendre sous 13 °C (55 °F).
- Le plancher doit pouvoir supporter le poids du réfrigérateur, soit plus de 600 lb (272 kg) incluant les panneaux de porte et le contenu du réfrigérateur. Le revêtement de sol sous le réfrigérateur doit se trouver au même niveau que le sol de la pièce. L'avant des armoires doit être d'aplomb.
- L'emplacement doit permettre l'ouverture complète de la porte. Voir la section « Dimensions pour le pivotement des portes ».
- L'emplacement d'installation doit permettre la dépose de la grille supérieure. Voir « Préparation du site ».

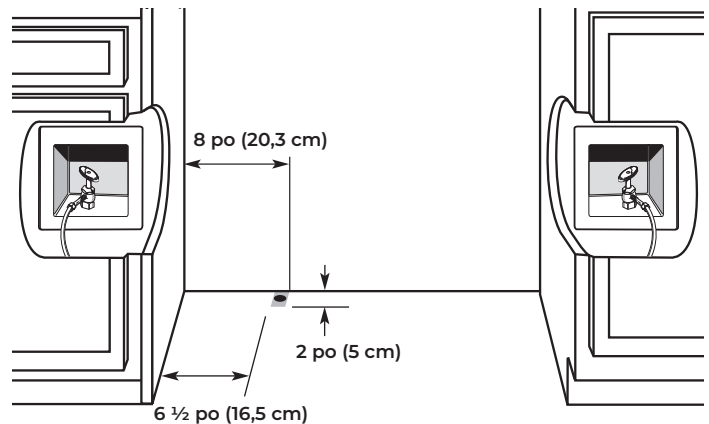
## SPÉCIFICATIONS DE L'ALIMENTATION EN EAU

#### **IMPORTANT :**

- Toutes les installations doivent être conformes aux exigences des codes locaux de plomberie.
- Brancher sur une alimentation en eau potable uniquement.

Ne pas utiliser pour le filtrage d'une eau microbiologiquement polluée ou de qualité inconnue en l'absence d'un dispositif de désinfection adéquat avant ou après le système. Les systèmes certifiés pour la réduction de kyste peuvent être utilisés pour l'eau désinfectée qui peut contenir des kystes filtrables.

- Si un robinet d'arrêt se trouve dans un mur situé derrière le réfrigérateur, il n'y a pas suffisamment d'espace pour une installation en affleurement.
- Le robinet d'arrêt d'eau doit être situé dans l'armoire inférieure d'un côté ou l'autre du réfrigérateur, ou à un autre endroit facilement accessible. La canalisation d'alimentation en eau, cependant, doit traverser le plancher à l'endroit de la zone grisée, comme illustré.



- Un trou de 1/2 po (12,7 mm) pour la plomberie doit être percé à 6 1/2 po (16,5 cm) minimum de l'armoire de gauche et ne doit pas se trouver à plus de 2 po (5 cm) du mur arrière. Consulter l'illustration précédente pour obtenir plus de détails.
- La canalisation d'alimentation en eau est réalisée à l'avant du réfrigérateur.
- Si un tube supplémentaire est nécessaire, utiliser un tube en cuivre et vérifier s'il y a des fuites. Installer les tuyaux en cuivre seulement là où les températures domestiques resteront au-dessus du point de congélation.
- Ne pas employer de robinet d'arrêt à étrier de 3/16 po (4,76 mm) ou de type à percer – ils réduisent le débit d'eau et s'obstruent aussi plus facilement.

**REMARQUE :** Votre marchand de réfrigérateurs propose une trousse avec un robinet d'arrêt à étrier de 1/4 po (6,35 mm), un raccord et un tube en cuivre. Avant d'en faire l'achat, s'assurer que le robinet d'arrêt à étrier est conforme aux codes locaux de plomberie.

## PRESSION D'EAU

Une alimentation en eau froide avec une pression entre 30 lb/po<sup>2</sup> et 120 lb/po<sup>2</sup> (207 kPa et 827 kPa) est nécessaire pour faire fonctionner le distributeur d'eau et la machine à glaçons. Pour toute question au sujet de la pression de l'eau, faire appel à un plombier qualifié agréé.

## ALIMENTATION EN EAU PAR OSMOSE INVERSE

**IMPORTANT :** La pression de l'alimentation en eau entre le système d'osmose inverse et le robinet d'arrivée d'eau du réfrigérateur doit être entre 30 lb/po<sup>2</sup> et 120 lb/po<sup>2</sup> (207 kPa à 827 kPa).

Si un système de filtration de l'eau par osmose inverse est raccordé à votre alimentation en eau froide, la pression de l'eau au système doit être d'un minimum de 40 lb/po<sup>2</sup> à 60 lb/po<sup>2</sup> (276 kPa à 414 kPa).

Si la pression d'eau au système de filtration par osmose inverse est inférieure à 40 lb/po<sup>2</sup> à 60 lb/po<sup>2</sup> (276 kPa à 414 kPa) :

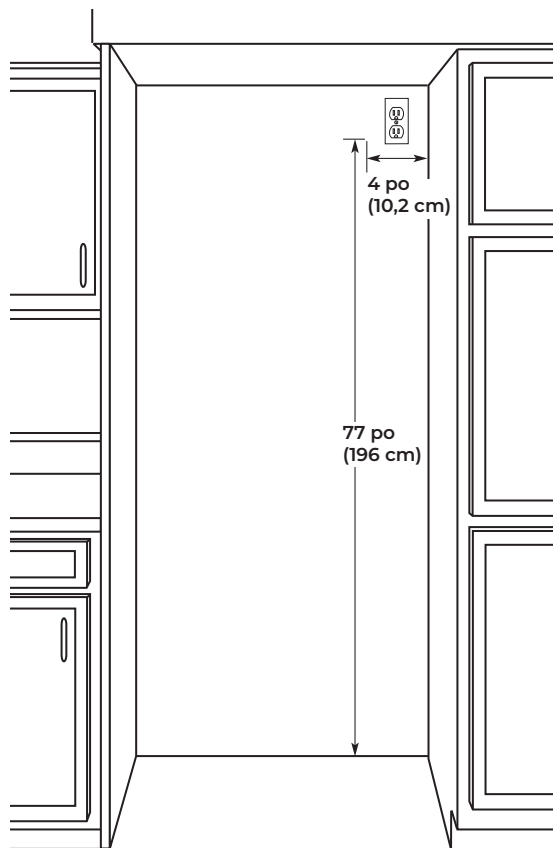
- Vérifier que le filtre à sédiment dans le système à osmose inverse n'est pas obstrué. Remplacer le filtre si nécessaire.
- Laisser le réservoir du système d'osmose inverse se remplir après une utilisation intense.
- Si le réfrigérateur comporte un filtre à eau, celui-ci peut réduire la pression de l'eau lorsqu'il est utilisé avec un système d'osmose inverse. Enlever la cartouche de filtre à eau.

Pour toute question au sujet de la pression de l'eau, faire appel à un plombier qualifié agréé.

## SPÉCIFICATIONS ÉLECTRIQUES

Avant de placer le réfrigérateur à son emplacement final,

Une prise électrique à trois broches avec mise à la terre doit être placée à une distance définie des armoires de droite ou du panneau situé à l'extrémité. Voir le tableau sous l'illustration pour connaître le nombre de pouces à respecter pour votre modèle.



## ⚠ AVERTISSEMENT



### Risque de choc électrique

**Brancher sur une prise à 3 alvéoles reliée à la terre.**

**Ne pas enlever la broche de liaison à la terre.**

**Ne pas utiliser un adaptateur.**

**Ne pas utiliser un câble de rallonge.**

**Le non-respect de ces instructions peut causer un décès, un incendie ou un choc électrique.**

il est important de s'assurer d'avoir le raccordement électrique approprié.

Si le cordon d'alimentation est endommagé, il doit être remplacé par le fabricant, son agent de service ou toute autre personne également qualifiée. Ne pas utiliser un cordon craquelé ou qui présente des dommages d'abrasion sur la gaine, la fiche ou le connecteur.

## MÉTHODE RECOMMANDÉE DE LIAISON À LA TERRE

Un circuit de 115 V CA à 60 Hz relié à la terre et protégé par un fusible de 15 A ou 20 A est requis. Il est recommandé d'utiliser un circuit distinct pour alimenter le réfrigérateur uniquement. Utiliser une prise de courant dont l'alimentation ne peut pas être interrompue par un interrupteur. Ne pas utiliser de rallonge.

**IMPORTANT :** Si ce produit est connecté à une prise munie d'un disjoncteur de fuite à la terre, un déclenchement intempestif peut se produire et causer une perte de refroidissement. La qualité et la saveur des aliments risquent d'être affectées. Si un déclenchement intempestif se produit et si les aliments semblent de piètre qualité, jeter le tout.

**REMARQUE :** Avant d'exécuter tout type d'installation ou de nettoyage, retirer la grille supérieure et mettre l'interrupteur général d'alimentation à OFF (arrêt) ou déconnecter le courant au boîtier de disjoncteurs.

Lorsque vous avez terminé, mettre l'interrupteur général d'alimentation à ON (marche) ou rétablir le courant au boîtier de disjoncteurs. Puis placer de nouveau la commande au réglage désiré.

## EXIGENCES D'INSTALLATION DE L'ENSEMBLE DE PANNEAUX EN ACIER INOXYDABLE

Consulter les instructions reçues avec l'ensemble de panneaux de porte pleine grandeur.

## EXIGENCES D'INSTALLATION ET DIMENSIONS DES PANNEAUX DE BOIS PERSONNALISÉS

Consulter les instructions reçues avec l'ensemble pour armoire.

# INSTRUCTIONS D'INSTALLATION

## DÉBALLAGE DU RÉFRIGÉRATEUR

### ⚠ AVERTISSEMENT



#### Risque de basculement

Le réfrigérateur est lourd au sommet et bascule facilement lorsqu'il n'est pas complètement installé.

Garder les portes fermées avec un ruban adhésif jusqu'à l'installation complète du réfrigérateur.

Utiliser deux ou plus de personnes pour déplacer et installer le réfrigérateur.

Le non-respect de ces instructions peut causer un décès ou une blessure grave.

### IMPORTANT :

- Ne pas ôter la pellicule de couverture avant que le réfrigérateur ne se trouve à son emplacement d'utilisation.
  - Les quatre roulettes doivent toucher le plancher pour supporter et stabiliser le poids total du réfrigérateur.
  - Garder la pièce de carton ou de contreplaqué d'expédition sous le réfrigérateur jusqu'à son installation à l'emplacement final.
1. Enlever et conserver le sachet de documentation et le sachet de visseries qui se trouvent à l'intérieur du réfrigérateur. Retirer et conserver la documentation, la grille et les garnitures apposées avec du ruban adhésif à l'extérieur du réfrigérateur.

**REMARQUE :** Ne pas enlever les rubans adhésifs et articles d'arrimage des portes avant que le réfrigérateur ne soit placé à son emplacement d'installation final.

## DÉPLACEMENT DU RÉFRIGÉRATEUR DANS LE DOMICILE

### ⚠ AVERTISSEMENT



#### Risque de basculement

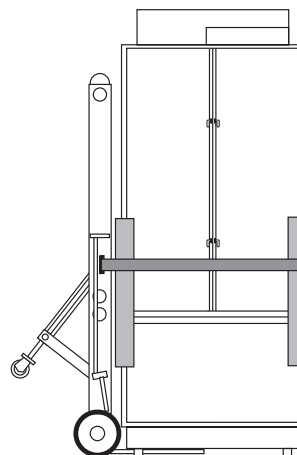
Le réfrigérateur est lourd au sommet et bascule facilement lorsqu'il n'est pas complètement installé.

Garder les portes fermées avec un ruban adhésif jusqu'à l'installation complète du réfrigérateur.

Utiliser deux ou plus de personnes pour déplacer et installer le réfrigérateur.

Le non-respect de ces instructions peut causer un décès ou une blessure grave.

1. Introduire un chariot de manipulation sous le côté gauche du réfrigérateur, comme illustré. Placer les coins de protection de l'emballage sur les garnitures comme il convient. Serrer lentement la sangle.



2. Placer des bouts du carton d'expédition sur le plancher lorsqu'on fait rouler le chariot et le réfrigérateur pour les faire entrer dans le domicile. Approcher le réfrigérateur près de l'ouverture d'encastrement.
3. Placer le dessus du carton ou du contreplaqué sous le réfrigérateur. Mettre le réfrigérateur en position verticale. Placer d'abord le bord inférieur gauche du réfrigérateur sur le plancher, puis mettre le réfrigérateur debout et abaisser ensuite le côté droit du réfrigérateur sur le plancher.
4. Réinstaller la garniture et la grille supérieure après avoir retiré le chariot du réfrigérateur.

## RACCORDEMENT À LA CANALISATION D'EAU

Lire toutes les instructions avant de commencer.

### IMPORTANT :

- Si on doit mettre en marche le réfrigérateur avant que la canalisation d'eau ne soit connectée, placer la machine à glaçons à arrêt.
- Brancher sur une alimentation en eau potable uniquement.

Ne pas utiliser pour le filtrage d'une eau microbiologiquement polluée ou de qualité inconnue en l'absence d'un dispositif de désinfection adéquat avant ou après le système. Les systèmes certifiés pour la réduction de kyste peuvent être utilisés pour l'eau désinfectée qui peut contenir des kystes filtrables.

## RACCORDEMENT À LA CANALISATION D'EAU PIÈCES NÉCESSAIRES

- Canalisation flexible d'alimentation en eau homologuée conformément aux codes en vigueur de 7 pi (2,13 m)

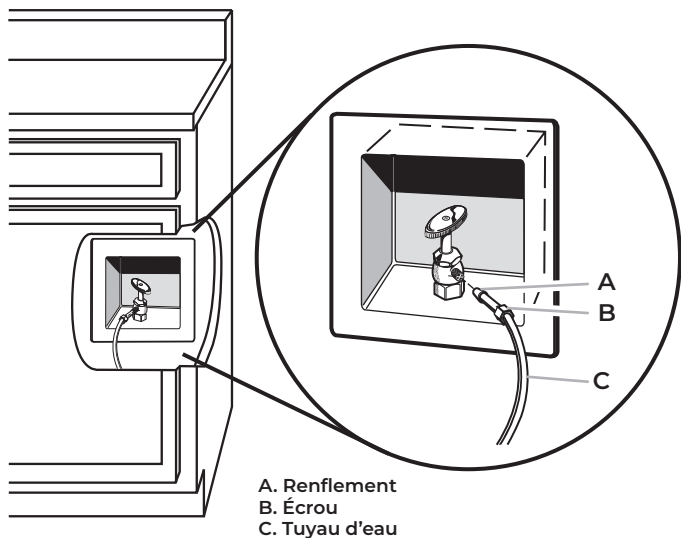
### STYLE 1 – CONNEXION AVEC ROBINET D'ARRÊT

**REMARQUE :** Si le raccordement de la canalisation d'eau ne ressemble pas au Style 1, voir « Style 2 – Raccordement de la canalisation en cuivre ».

1. Débrancher le réfrigérateur ou déconnecter la source de courant électrique.

### IMPORTANT :

- Si un robinet d'arrêt se trouve dans un mur situé derrière le réfrigérateur, il n'y a pas suffisamment d'espace pour une installation en affleurement. Le robinet d'arrêt devrait se trouver dans l'armoire inférieure, d'un côté ou l'autre du réfrigérateur.
  - Avant de raccorder le tube au robinet d'arrêt, rincer la canalisation d'eau principale pour éliminer l'air et les débris qui s'y trouvent. Laisser s'écouler une quantité d'eau suffisante, jusqu'à ce qu'elle soit limpide. Le rinçage de la canalisation d'eau peut permettre d'éviter l'obstruction des filtres ou celle des robinets.
2. Raccorder la canalisation flexible d'alimentation en eau homologuée conformément aux codes en vigueur au robinet d'arrêt en enfilant l'écrou fourni sur le robinet d'arrêt, comme illustré.



3. Placer l'extrémité du tube dans un seau et OUVRIRE le robinet d'arrêt.
4. Vérifier qu'il n'y a pas de fuites. Si des fuites sont identifiées, resserrer tous les écrous ou connexions concernés (y compris les connexions au niveau du robinet).

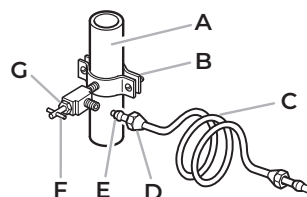
### STYLE 2 – RACCORDEMENT DE LA CANALISATION D'EAU

**REMARQUE :** S'il y a une canalisation d'alimentation en eau qui satisfait aux exigences des « Exigences d'alimentation en eau », passer à « Raccordement au réfrigérateur ». Si ce n'est pas le cas, utiliser les instructions suivantes pour le raccordement à l'alimentation d'eau froide du domicile.

1. Débrancher le réfrigérateur ou déconnecter la source de courant électrique.
2. Couper l'alimentation principale en eau. Ouvrir le robinet le plus proche assez longtemps pour vider l'eau du tuyau.
3. Identifier une canalisation d'eau froide verticale de 1/2 po à 1 1/4 po (1,3 cm à 3,18 cm) à proximité du réfrigérateur.

### IMPORTANT :

- Vérifier qu'il s'agit d'une canalisation d'eau froide.
  - On peut aussi utiliser une canalisation horizontale; dans ce cas, on devra percer sur la face supérieure du tuyau et non pas au-dessous. Ceci permet de tenir la perceuse à l'écart de l'eau et d'empêcher les sédiments qu'on trouve normalement dans l'eau de s'accumuler dans le robinet d'arrêt.
4. Déterminer la longueur de la canalisation en cuivre à utiliser. Mesurer depuis le point de connexion sur le réfrigérateur à la canalisation d'eau. Ajouter 7 pi (2,1 m) pour permettre les opérations de nettoyage. Utiliser une canalisation en cuivre de 1/4 po (6,35 mm) (diamètre externe) de diamètre extérieur. Veiller à ce que la canalisation en cuivre soit coupée d'équerre aux deux extrémités.
  5. À l'aide d'une perceuse sans fil, percer un trou de 1/4 po (6,35 mm) dans la canalisation d'eau froide sélectionnée.



6. Fixer le robinet d'arrêt sur la canalisation d'eau froide avec la bride de tuyau. Veiller à bien insérer l'extrémité de sortie dans le trou de 1/4 po (6,35 mm) de la canalisation d'eau; veiller à placer correctement le joint sous la bride du tuyau. Serrer l'écrou de serrage. Serrer lentement et uniformément les vis fixant la bride de tuyau sur le tuyau afin d'assurer l'étanchéité du joint. Ne pas serrer excessivement.

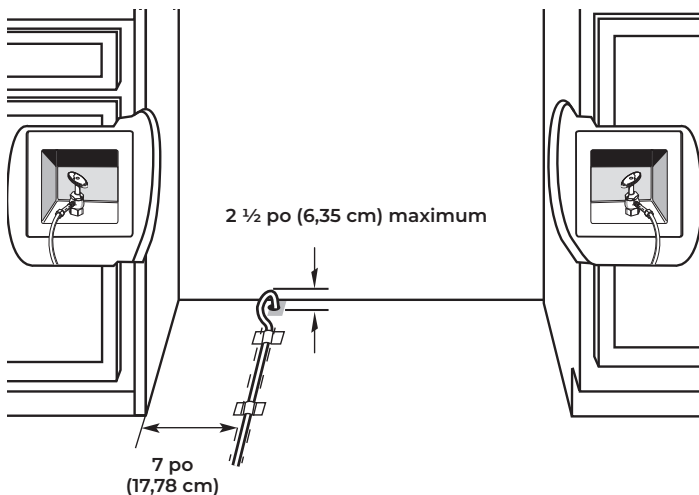
**IMPORTANT :** Avant de raccorder le tube au robinet d'arrêt, rincer la canalisation d'eau principale pour éliminer l'air et les débris qui s'y trouvent. Laisser s'écouler une quantité d'eau suffisante, jusqu'à ce qu'elle soit limpide. Le rinçage de la canalisation d'eau peut permettre d'éviter l'obstruction des filtres ou celle des robinets.

7. Enfiler la bague et l'écrou de compression sur le tube en cuivre comme illustré. Insérer l'extrémité de la canalisation directement dans l'extrémité de sortie, aussi loin que possible. Visser l'écrou de compression sur l'extrémité de sortie du raccord à l'aide d'une clé à molette. Ne pas serrer excessivement la bride ou la bague. Ceci provoquera l'écrasement du tube de cuivre.
8. Fermer le robinet d'arrêt de la canalisation d'eau. Lover le tube de cuivre.
9. Raccorder la canalisation flexible d'alimentation en eau homologuée conformément aux codes en vigueur au robinet d'arrêt en enfilant l'écrou fourni sur le robinet d'arrêt.
10. Placer l'extrémité du tube dans un seau et OUVRIER le robinet d'arrêt.
11. Inspecter pour rechercher des fuites au niveau du robinet d'arrêt à étrier. Si des fuites sont identifiées, resserrer tous les écrous ou connexions concernés (y compris les connexions au niveau du robinet).

## RACCORDEMENT AU RÉFRIGÉRATEUR

### PIÈCES FOURNIES

- Raccord mâle-mâle 1/4 po – 1/4 po (6,35 mm – 6,35 mm).



**REMARQUE :** La canalisation flexible d'alimentation en eau, homologuée conformément aux codes en vigueur, doit être raccordée à la vanne d'alimentation par le sol.

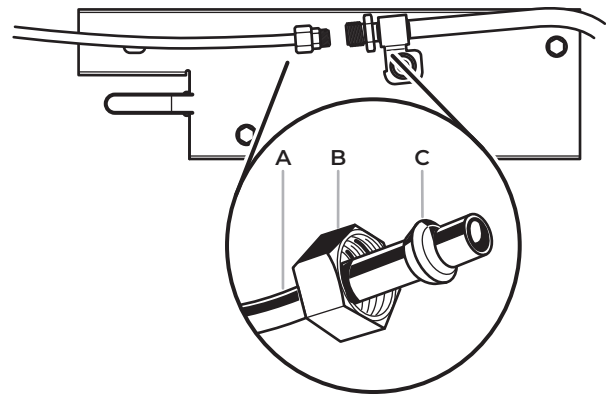
1. Débrancher le réfrigérateur ou déconnecter la source de courant électrique.
2. Raccorder le tube flexible de 7 pi (2,13 m) homologué conformément aux codes en vigueur au robinet d'alimentation en eau.
3. Rincer la canalisation d'alimentation en eau principale pour éliminer les particules et l'air présents dans la canalisation d'eau. Laisser s'écouler une quantité d'eau suffisante, jusqu'à ce qu'elle soit limpide.
4. Avec du ruban adhésif, fixer la canalisation flexible d'alimentation en eau approuvée par les codes en vigueur de 7 pi (2,13 m) au plancher, à 7 po (17,78 cm) du côté gauche du réfrigérateur. La fixer le long du tube; ceci lui permet ainsi de passer sous le réfrigérateur sans rencontrer d'obstacle.

**REMARQUE :** Laisser pendre un minimum de 26 po (66,04 cm) de la canalisation flexible d'alimentation en eau approuvée par les codes en vigueur à l'avant du réfrigérateur pour le raccordement au réfrigérateur.

5. Raccorder la canalisation flexible d'alimentation en eau approuvée par les codes en vigueur de 7 pi (2,13 m) au réfrigérateur.

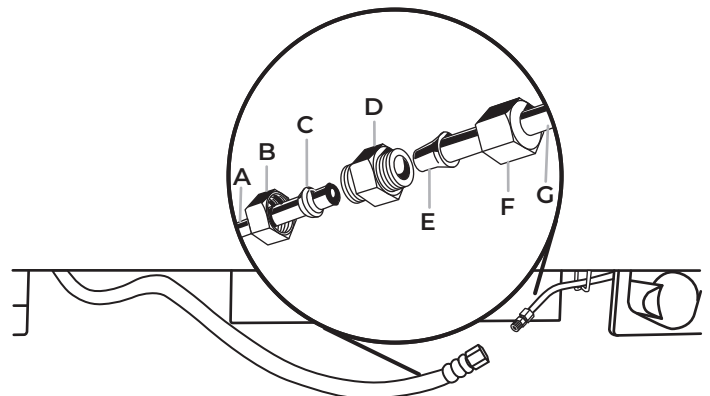
**REMARQUE :** Si le robinet d'arrêt principal se trouve derrière le réfrigérateur, un deuxième robinet d'arrêt peut être installé en ligne directe avec la canalisation d'alimentation en eau, à l'avant du produit.

### RACCORD PAR DESSUS LE SURMOULAGE (SUR CERTAINS MODÈLES)



A. Canalisation d'eau du domicile  
B. Écrou (à acheter)  
C. Virole (à acheter)

### RACCORD DISCRET (SUR CERTAINS MODÈLES)



A. Canalisation d'eau du domicile  
B. Écrou (à acheter)  
C. Virole (à acheter)  
D. Raccord  
E. Renflement  
F. Écrou  
G. Tuyau d'eau du réfrigérateur

6. Ouvrir l'alimentation en eau et inspecter tous les raccords pour identifier toute fuite éventuelle.

## BRANCHER LE RÉFRIGÉRATEUR

### ⚠ AVERTISSEMENT



#### Risque de choc électrique

Brancher sur une prise à 3 alvéoles reliée à la terre.

Ne pas enlever la broche de liaison à la terre.

Ne pas utiliser un adaptateur.

Ne pas utiliser un câble de rallonge.

Le non-respect de ces instructions peut causer un décès, un incendie ou un choc électrique.

Si le cordon d'alimentation est endommagé, il doit être remplacé par le fabricant, son agent de service ou toute autre personne également qualifiée. Ne pas utiliser un cordon craquelé ou qui présente des dommages d'abrasion sur la gaine, la fiche ou le connecteur.

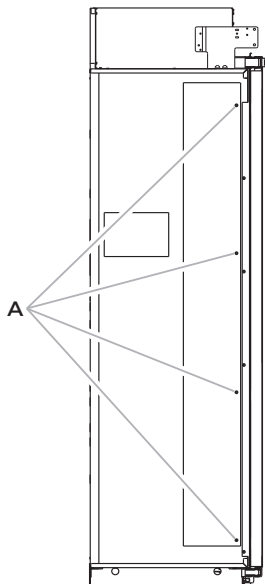
1. Régler la commande sur la partie supérieure de la caisse à la position OFF (arrêt).
2. Brancher l'appareil sur une prise à 3 alvéoles reliée à la terre.

### INSTALLATION DES GARNITURES LATÉRALES

Les garnitures latérales permettent de masquer l'espace entre le réfrigérateur et les armoires adjacentes.

Une garniture est fixée par ruban adhésif à l'intérieur du réfrigérateur. Installer chaque garniture sur le côté du réfrigérateur auquel elle est fixée.

1. Retirer le ruban fixant les pièces de garniture sur les côtés du réfrigérateur. Conserver les garnitures à part.
2. Retirer les quatre vis du côté de la caisse du réfrigérateur.

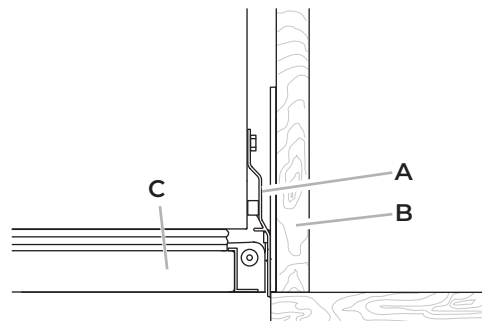


A. Vis de garniture latérale

3. En utilisant les trous d'origine et les vis retirées à l'étape 2, fixer la garniture latérale à la caisse du réfrigérateur.

**REMARQUE :** Veiller à fixer chaque garniture sur le côté de la caisse du réfrigérateur d'où elle a été retirée. Le bord de forme conique doit être en avant, les encoches alignées avec les charnières de la porte.

### VUE DE DESSUS



A. Garniture latérale  
B. Armoire adjacente  
C. Porte

## DÉPLACEMENT DU RÉFRIGÉRATEUR À SON EMPLACEMENT DÉFINITIF

### IMPORTANT :

### ⚠ AVERTISSEMENT



#### Risque de basculement

**Le réfrigérateur est lourd au sommet et bascule facilement lorsqu'il n'est pas complètement installé.**

**Garder les portes fermées avec un ruban adhésif jusqu'à l'installation complète du réfrigérateur.**

**Utiliser deux ou plus de personnes pour déplacer et installer le réfrigérateur.**

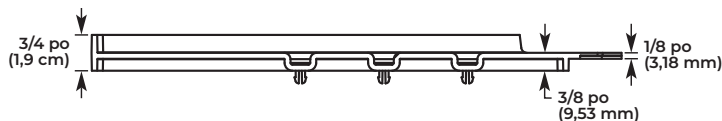
**Le non-respect de ces instructions peut causer un décès ou une blessure grave.**

- Une installation en affleurement n'est PAS possible avec une ouverture de 24 po (60,9 cm) de profondeur.
- Avant de déplacer le réfrigérateur, vérifier que les pieds sont relevés (aucun contact avec le plancher) et que le réfrigérateur repose sur ses roulettes afin d'éviter d'endommager le plancher.
- Utiliser comme référence la cale d'installation, fixée à la charnière de porte, pour vérifier que le réfrigérateur est poussé suffisamment loin dans son ouverture, de sorte que les panneaux une fois installés affleurent avec les armoires adjacentes.



- Une fois le réfrigérateur à niveau et aligné, retirer la cale d'installation de la charnière de porte et l'utiliser pour vérifier l'espace entre les panneaux et les armoires adjacentes.

**REMARQUE :** La cale d'installation est conçue pour assurer un espace précis de 3/4 po (1,9 cm), 3/8 po (9,53 mm) et 1/8 po (3,18 mm).

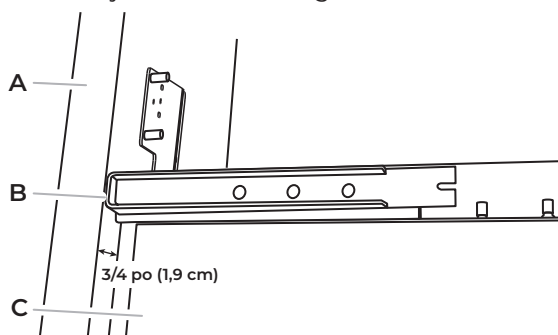


1. Placer le dessus du carton ou du contreplaqué sous le réfrigérateur. Retirer le chariot.
2. Replacer le réfrigérateur en ligne droite dans l'ouverture; le placer de façon à ce que les dégagements autour de l'appareil soient uniformes. S'assurer que le tuyau d'eau n'est pas déformé et que le cordon d'alimentation se trouve sur le réfrigérateur.

**REMARQUE :** Si le cordon d'alimentation se trouve derrière le réfrigérateur, on ne pourra pas l'installer correctement.

3. S'assurer que la cale d'installation affleure avec les armoires adjacentes.

**REMARQUE :** Pour réussir une installation en affleurement, il est essentiel de respecter une profondeur de 3/4 po (1,9 cm) entre l'avant de l'armoire adjacente et le réfrigérateur.



A. Armoire ou mur adjacent  
B. Cale d'installation  
C. Avant du réfrigérateur

## RÉGLAGE DE L'APLOMB ET ALIGNEMENT DU RÉFRIGÉRATEUR

### ⚠ AVERTISSEMENT



#### Risque de basculement

**Le réfrigérateur est lourd au sommet et bascule facilement lorsqu'il n'est pas complètement installé.**

**Garder les portes fermées avec un ruban adhésif jusqu'à l'installation complète du réfrigérateur.**

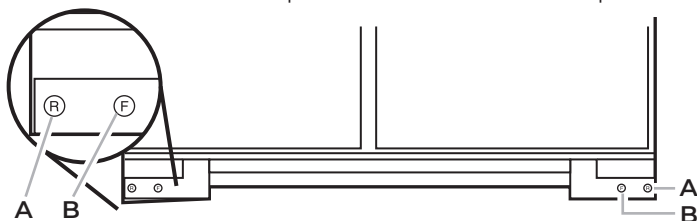
**Utiliser deux ou plus de personnes pour déplacer et installer le réfrigérateur.**

**Le non-respect de ces instructions peut causer un décès ou une blessure grave.**

**IMPORTANT :** Les quatre roulettes doivent toucher le plancher pour supporter et stabiliser le poids total du réfrigérateur. Les roulettes ne sont utilisées que pour le déplacement du réfrigérateur, et non pas pour un soutien permanent.

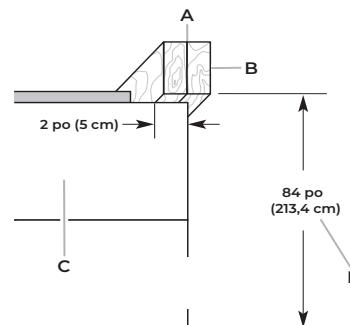
Après avoir déplacé le réfrigérateur jusqu'à sa position de service finale :

1. Utiliser un tournevis à douille de 5/16 po pour faire tourner les boulons de réglage de l'aplomb dans le sens horaire et déployer les pieds vers le plancher (voir illustration). Les roulettes ne doivent plus être en contact avec le plancher.



A. Boulon d'ajustement de l'aplomb (arrière)  
B. Boulon d'ajustement de l'aplomb (avant)

2. Ajuster les pieds de réglage de l'aplomb et établir l'aplomb du réfrigérateur de gauche à droite et d'avant à arrière de façon à ce qu'il soit d'aplomb et aligné avec les armoires.
3. Poursuivre l'ajustement des pieds de nivellement jusqu'à ce que le sommet du réfrigérateur soit en contact avec le bas du soffite massif ou le bas des panneaux antibasculement (si l'on en utilise). Ne pas écraser le couvercle du compresseur.



A. Deux panneaux de 2 po x 4 po x 32 po (5 cm x 10 cm x 81 cm)  
B. Fixer aux montants avec six vis no 8 x 3 po (7,6 cm).  
C. Couvercle du compresseur  
D. Distance entre le bas du panneau antibasculement et le plancher

**IMPORTANT :** Ajuster par petits à-coups pour éviter d'endommager la garniture de l'armoire et causer des problèmes d'alignement de la porte ou d'insertion de la grille supérieure. Pour éviter d'endommager l'armoire ou les pieds de réglage de l'aplomb, ne pas appliquer sur les boulons un couple supérieur à 50 lb-po (5,65 Nm). Les pieds de réglage de l'aplomb peuvent être déployés à un maximum de 1 ¼ po (3,18 cm) au-dessous des roulettes.

- Après avoir établi l'aplomb du réfrigérateur, utiliser de nouveau une règle droite ou placer un niveau de 4 pi contre l'avant le réfrigérateur et les armoires pour vérifier que le réfrigérateur est toujours en affleurement.

### INSTALLATION DES PANNEAUX

Consulter les instructions reçues avec l'ensemble de panneaux de porte pleine grandeur/d'armoire pour installer les panneaux en acier inoxydable/bois personnalisé décoratifs.

**IMPORTANT :** JennAir n'est pas responsable des opérations de dépose et d'installation de moulures ou panneaux décoratifs en bois qui entraveraient l'accès au réfrigérateur lors d'une intervention d'entretien ou de réparation.

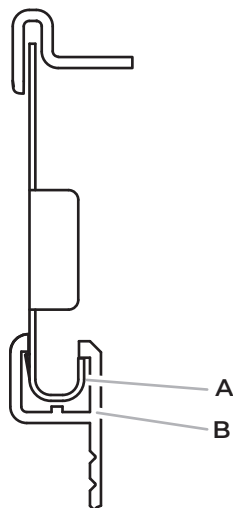
### INSTALLATION DE LA GRILLE DE LA BASE

La grille de base comporte deux pièces permettant un ajustement personnalisé : la grille de base elle-même et la plinthe. La plinthe peut être ajoutée à la grille de la base pour la prolonger jusqu'au plancher.

- Pour voir si la plinthe est nécessaire, placer la grille de la base en position. Ne pas fixer la grille de la base au réfrigérateur. Mesurer la distance entre le fond de la grille de la base et le plancher. L'espace doit mesurer au moins 1/2 po (1,27 cm) pour que l'on puisse ajouter la plinthe.

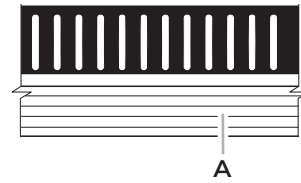
**REMARQUE :** Si l'espace mesure moins de 1/2 po (1,27 cm), omettre les étapes 3 et 4 des instructions et installer uniquement la grille de la base.

- Enlever la pellicule de protection de la grille de la base.
- Emboîter la plinthe sur la grille de la base.



A. Grille de la base  
B. Plinthe

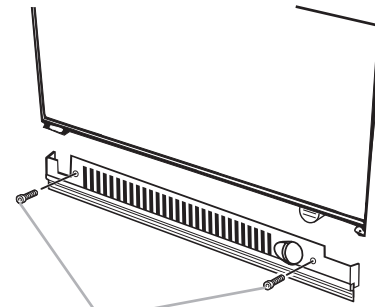
- Entailler la plinthe en marquant la rainure en V appropriée avec un couteau utilitaire. Briser la plinthe au niveau de la ligne de l'entaille.



A. Rainure en «V»

- À l'aide des deux vis, fixer la grille de la base au réfrigérateur, comme illustré.

**REMARQUE :** Insérer d'abord la vis du côté droit.



A

A. Vis

### TERMINER L'INSTALLATION

- Tourner le robinet de la canalisation d'eau à la position « Ouverte ».
- Tourner le commutateur du réfrigérateur à la position ON (marche). Voir la section « Interrupteur d'alimentation marche/arrêt » dans le Guide d'utilisation et d'entretien pour plus d'instructions. Attendre quelques minutes. Vérifier les raccords de la canalisation d'eau pour confirmer l'absence de fuites.
- Retirer les boîtes, composants et matériaux d'emballage de l'intérieur du réfrigérateur. Voir la section « Nettoyage » dans le Guide d'utilisation et d'entretien pour les instructions. Ôter la pellicule et le carton de la grille et des portes ou du châssis de la porte, selon le modèle.
- Installer les tablettes et balconnets dans les compartiments de réfrigération et de congélation.
- Les commandes sont pré-réglées à l'usine au réglage moyen. S'assurer que le compresseur fonctionne bien et que tous les témoins sont en bon état de marche.
- Purger le circuit d'eau avant l'utilisation. Voir la section « Préparation du circuit d'eau ».

Pour l'utilisation la plus efficace de votre nouveau réfrigérateur encastré, lire le Guide d'utilisation et d'entretien. Conserver les Instructions d'installation et le Guide d'utilisation et d'entretien à proximité du réfrigérateur encastré pour pouvoir les consulter facilement.

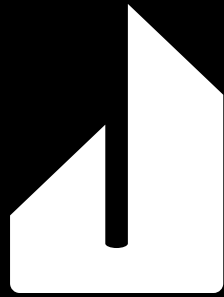
# NOTES

# NOTES

# NOTES

# NOTES

# NOTES



JENNAIR®