

**KitchenAid®**

**GAS COOKTOP**

**MODELS:**

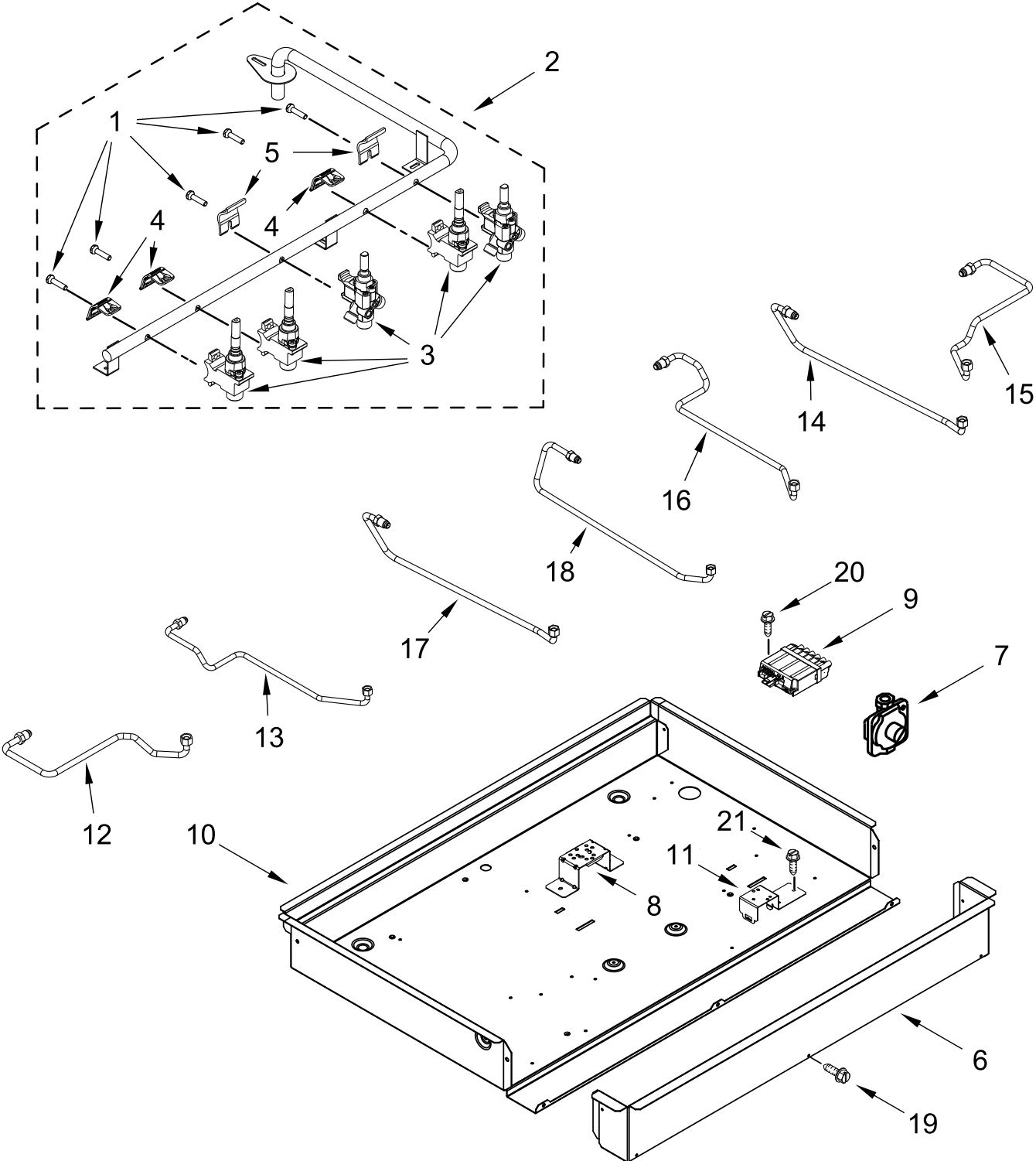
KCGS956ESS06 (Stainless)



# COOKTOP, BURNER AND GRATE PARTS

<u>Illus. No.</u>	<u>Part No.</u>	<u>Description</u>	<u>Illus. No.</u>	<u>Part No.</u>	<u>Description</u>	<u>Illus. No.</u>	<u>Part No.</u>	<u>Description</u>
1		Literature Parts	8	8286815	Head, Burner (Left Front)	14	W10617373	Assembly, Burner Base (10K)
	W11468901	Owner's Manual		8286813	Head, Burner (Left Rear)			(Right Front)
	W11466943	Quick Start Guide		8286814	Head, Burner (Right Rear)		W10639175	Assembly, Burner Base (20K)
	W10672375	Instructions, Undercounter Install						(Center)
	W11591536	Tech Sheet	9	W10593530	Bezel, Knob	15	W10657995	Electrode, Burner
2		Cooktop	10	8286921	Screw, Burner Rail (M4)			(Right Front)
	W10722087	Stainless					W10657994	Electrode, Burner
3		Kit, Burner Cap	11	W10409144	Orifice (Left Front)			(Center)
	W10617346	Black (Left Front, Left Rear, Center, Right Rear)		W10151353	Orifice (Left Rear)	16	W10416057	O-Ring
				W10674728	Orifice (Right Rear)	17	8286863	Spring, Electrode
4		Grate Assembly (Includes Three Grates)				18	W10554297	Spring, Torch Burner
	W11108271	Black	12	W10628302	Wiring, Electrode (Left Front)	19		Burner Cap Kit (Includes Melt Cap)
5	W11507167	Seal, Switch Shaft		W11439332	Wiring, Electrode (Left Rear)		W10635601	Black (Right Front)
6		Knobs, Cooktop				20	W10631209	Support, Flame Spreader
	W10545849	Stainless		W10628303	Wiring, Electrode (Right Rear)			(Right Front)
7	W10674921	Holder, Orifice (12K) (Left Front)				21	W10703465	Bumper, Grate
	W10674918	Holder, Orifice (6K) (Left Rear)	13	W10808715	Spreader, Burner (Center)			FOLLOWING PARTS NOT ILLUSTRATED
	W10674919	Holder, Orifice (7K) (Right Rear)					W10617402	Insulation, Cooktop

# BURNER BOX, GAS VALVES AND SWITCH PARTS



# BURNER BOX, GAS VALVES AND SWITCH PARTS

<u>Illus. No.</u>	<u>Part No.</u>	<u>Description</u>	<u>Illus. No.</u>	<u>Part No.</u>	<u>Description</u>	<u>Illus. No.</u>	<u>Part No.</u>	<u>Description</u>
1	W10743274	Screw	11	W10545802	Bracket, Dual Burner	20	7101P626-60	Screw
2	W10682075	Assembly, Manifold	12	W10545796	Tubing, Gas Burner (Left Front)	21	W10443110	Screw
3	W11629615	Valve, Single (Left Front)	13	W10545797	Tubing, Gas Burner (Left Rear)			FOLLOWING PARTS NOT ILLUSTRATED
	W11629616	Valve, Single (Left Rear)	14	W10545843	Tubing, Gas Burner (Right Front, Main)		W10577591	Harness, Main
	W11629618	Valve, Dual (Right Front and Center)	15	W10545844	Tubing, Gas Burner (Right Front, Simmer)		W10619020	Harness, Switch
	W11629617	Valve, Single (Right Rear)	16	W10545798	Tubing, Gas Burner (Right Rear)		W10392003	Cord, Power
4	8287055	Bracket, Single Valve	17	W10545801	Tubing, Gas Burner (Center, Main)		W10132200	Relief, Strain
5	8287056	Bracket, Dual Valve	18	W10545800	Tubing, Gas Burner (Center, Simmer)		7208P024-60	Seal, Manifold Pipe Inlet
6	W10705475	Panel, Front	19	3196537	Screw		W10676662	Kit, LP Conversion
7	W10449143	Regulator, Pressure					3400015	Screw, Grounding
8	W10594429	Bracket, Orifice Holder					3801F935-51	Bracket, Tie Down
9	W10475150	Module, Spark					7101P062-60	Screw
10	W10710917	Box, Burner						(Used For Tie Down Bracket)