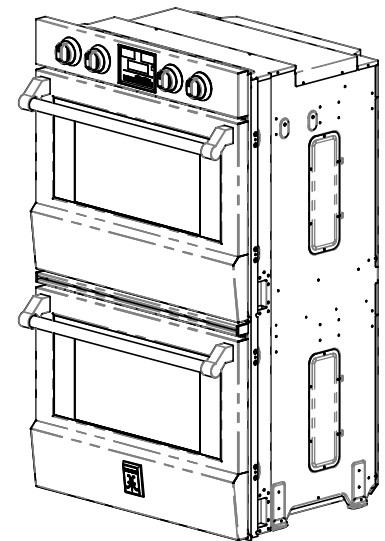




**Double Wall Oven
KDO30 & KDO30-XX
Parts List**



**Hestan Commercial Corporation
3375 E. La Palma Ave.
Anaheim, CA 92806
(888)905-7463**

RETAIN THIS FOR FUTURE REFERENCE

6

5

4

3

2

1

D

D

C

C

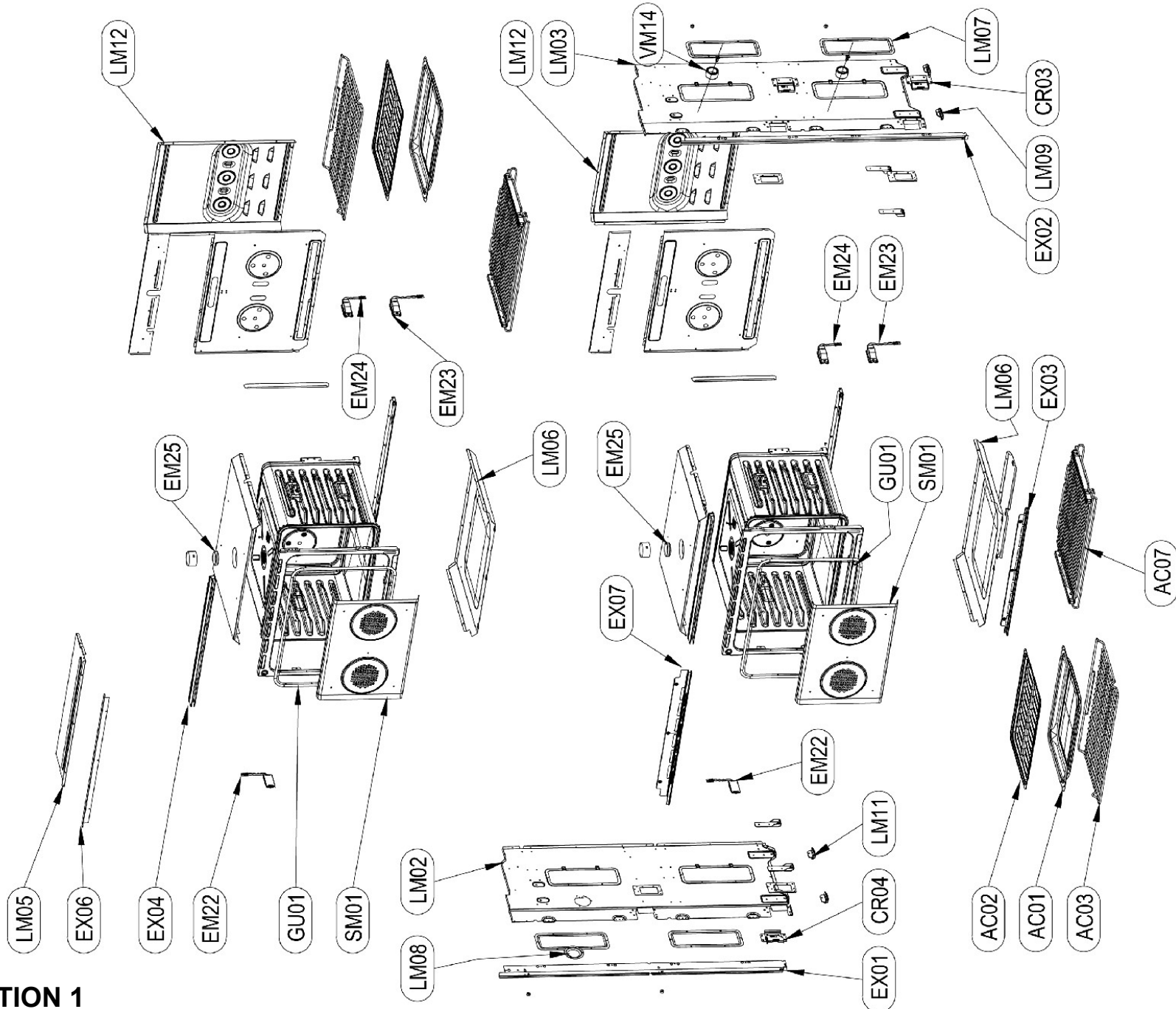
B

B

A

A

2.873.450A



SECTION 1



PROPRIETARY
 NO PART OF THIS DOCUMENT MAY BE REPRODUCED,
 STORED IN A RETRIEVAL SYSTEM, OR TRANSMITTED IN
 ANY FORM, WITHOUT THE WRITTEN PERMISSION OF
 Hestan Commercial Corporation. THIS DOCUMENT OR ANY
 COPIES SHALL BE RETURNED UPON WRITTEN REQUEST.

DESCRIPTION

**SERVICE, WALL OVEN, DOUBLE
 (KDO30 & KDO30-XX)**

DRAWING NO

KDO30-XX-SERVICE

REVISION

E

SHEET NO.

1 OF 7

6

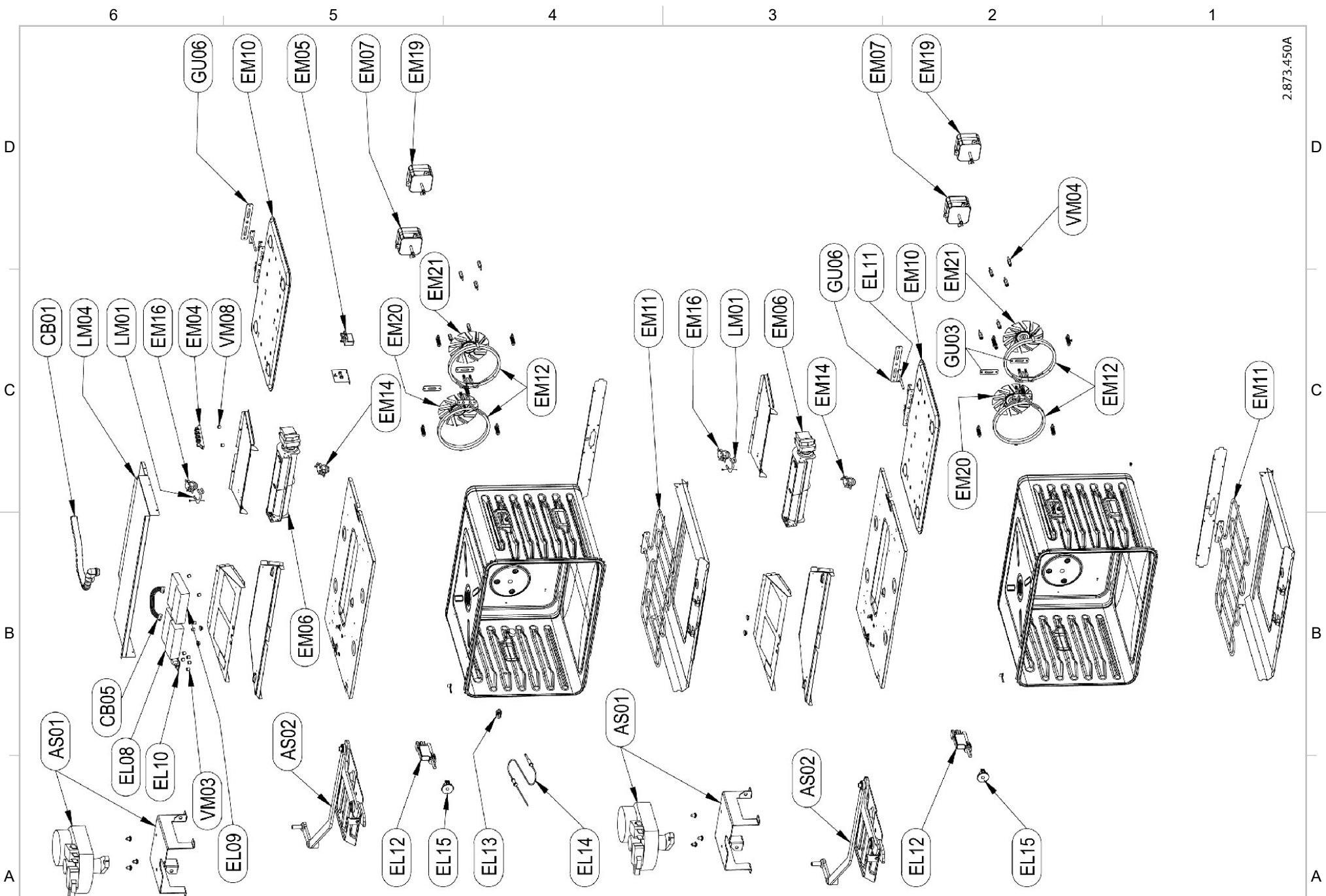
5

4

3

2

1



SECTION 2

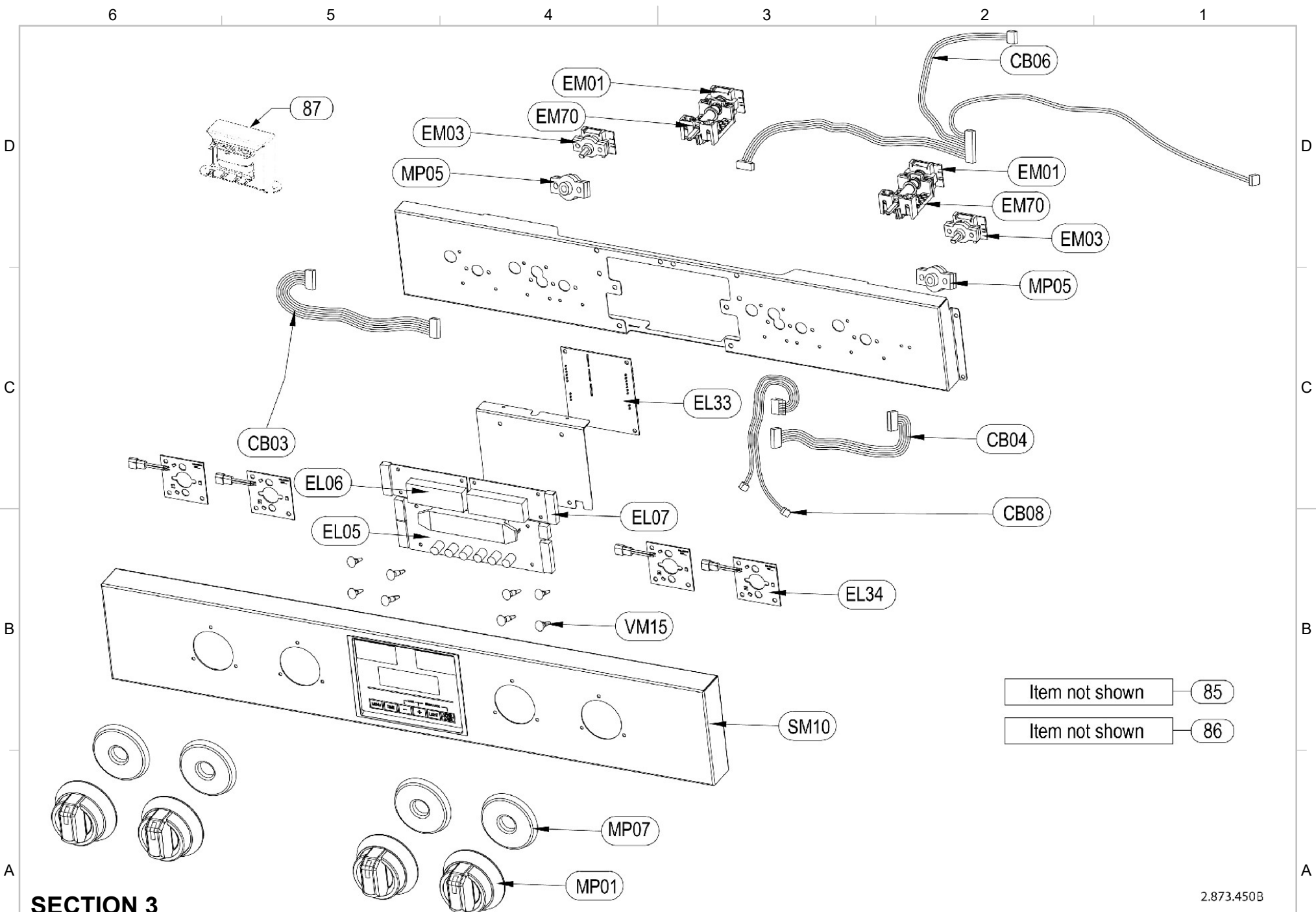


PROPRIETARY
 NO PART OF THIS DOCUMENT MAY BE REPRODUCED,
 STORED IN A RETRIEVAL SYSTEM, OR TRANSMITTED IN
 ANY FORM, WITHOUT THE WRITTEN PERMISSION OF
 Hestan Commercial Corporation. THIS DOCUMENT OR ANY
 COPIES SHALL BE RETURNED UPON WRITTEN REQUEST.

DESCRIPTION
**SERVICE, WALL OVEN, DOUBLE
 (KDO30 & KDO30-XX)**

DRAWING NO
KDO30-XX-SERVICE

REVISION
E
 SHEET NO.
 2 OF 7



SECTION 3

2.873.450B



PROPRIETARY
NO PART OF THIS DOCUMENT MAY BE REPRODUCED,
STORED IN A RETRIEVAL SYSTEM, OR TRANSMITTED IN
ANY FORM, WITHOUT THE WRITTEN PERMISSION OF
Hestan Commercial Corporation. THIS DOCUMENT OR ANY
COPIES SHALL BE RETURNED UPON WRITTEN REQUEST.

DESCRIPTION
**SERVICE, WALL OVEN, DOUBLE
(KDO30 & KDO30-XX)**

DRAWING NO
KDO30-XX-SERVICE

REVISION
E
SHEET NO.
3 OF 7

6

5

4

3

2

1

D

D

C

C

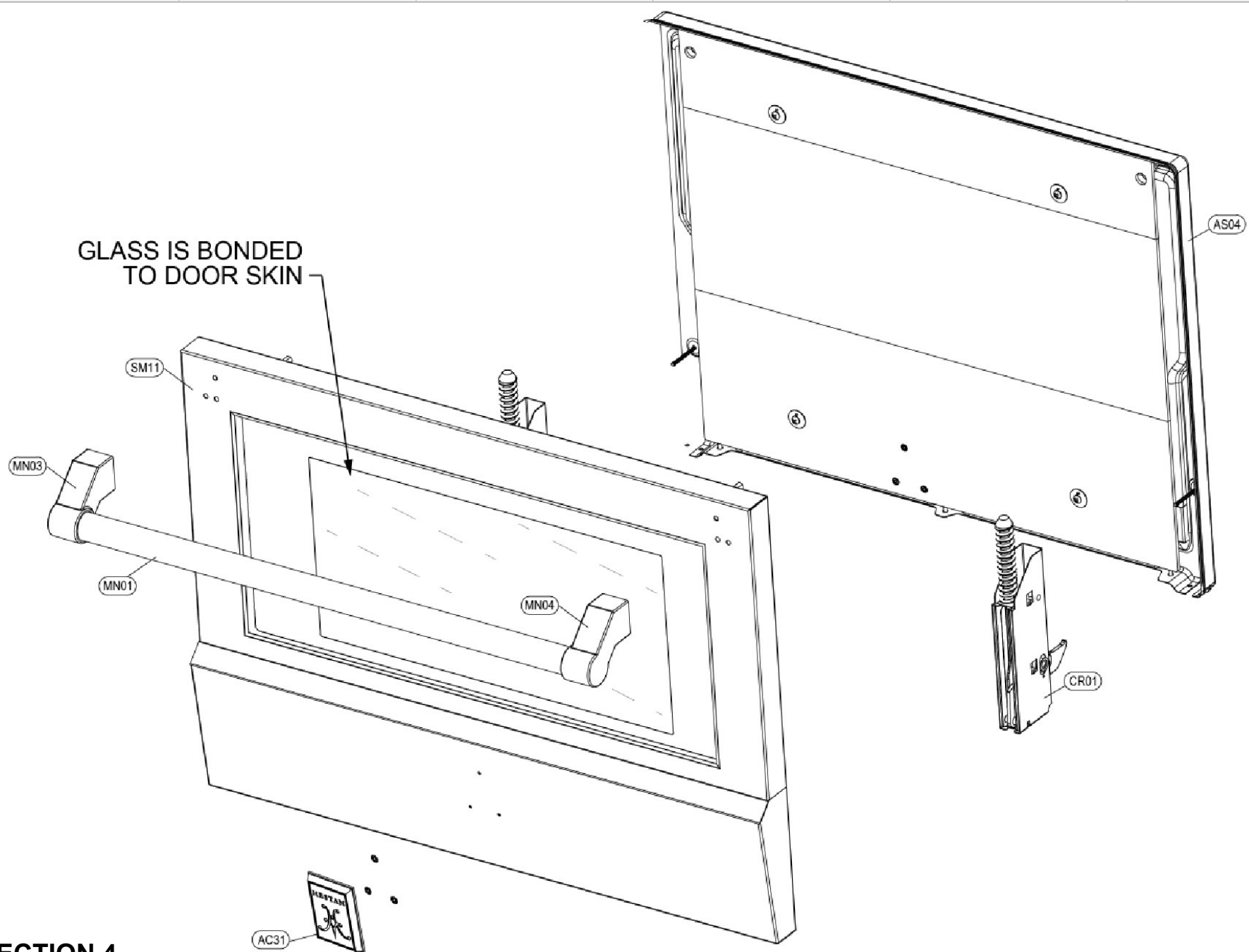
B

B

A

A

GLASS IS BONDED TO DOOR SKIN



SECTION 4

2.873-450A



PROPRIETARY
 NO PART OF THIS DOCUMENT MAY BE REPRODUCED,
 STORED IN A RETRIEVAL SYSTEM, OR TRANSMITTED IN
 ANY FORM, WITHOUT THE WRITTEN PERMISSION OF
 Hestan Commercial Corporation. THIS DOCUMENT OR ANY
 COPIES SHALL BE RETURNED UPON WRITTEN REQUEST.

DESCRIPTION

**SERVICE, WALL OVEN, DOUBLE
 (KDO30 & KDO30-XX)**

DRAWING NO

KDO30-XX-SERVICE

REVISION

E

SHEET NO.
 4 OF 7

6

5

4

3

2

1

6

5

4

3

2

1

D

D

C

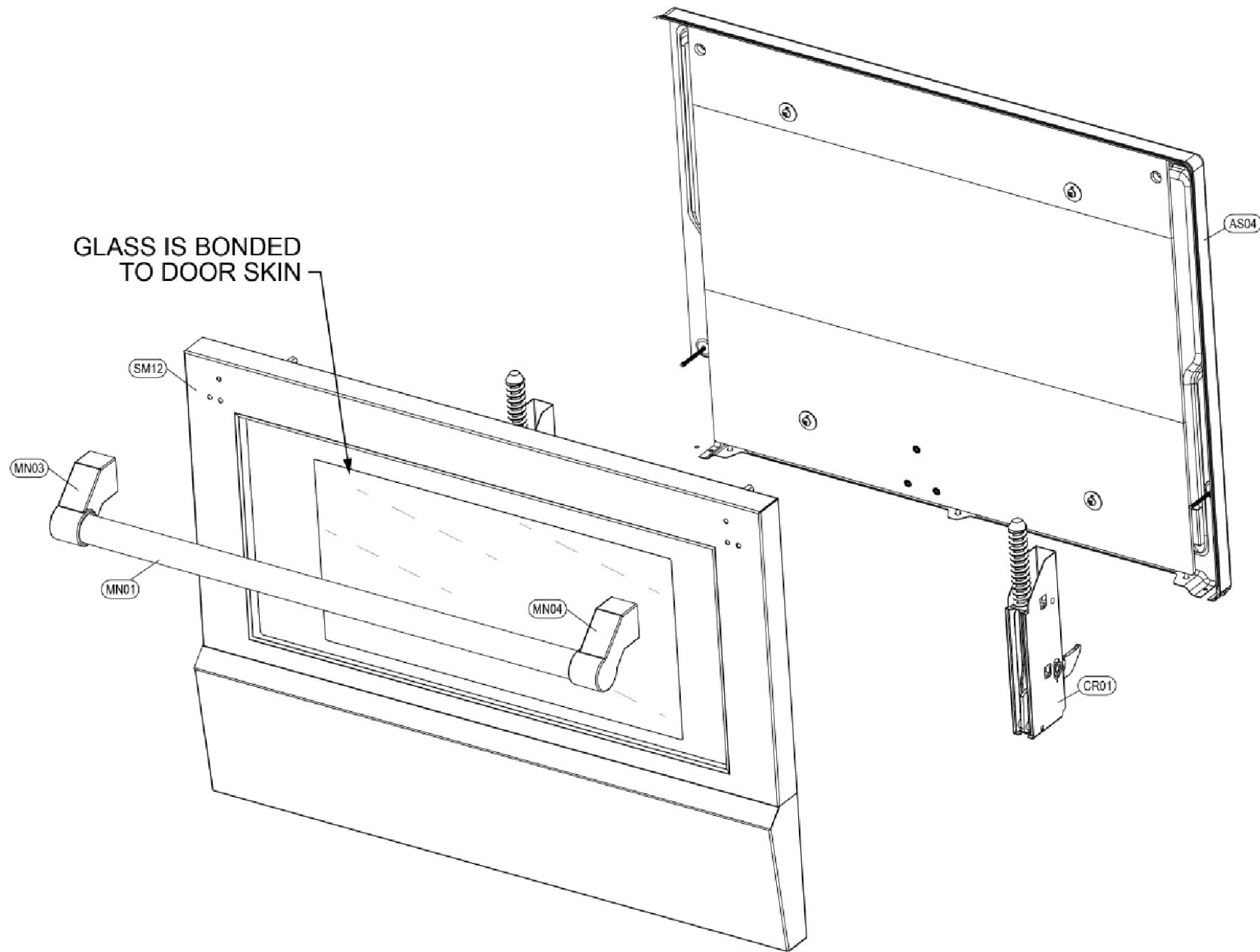
C

B

B

A

A



SECTION 5

2.873.450A



PROPRIETARY
 NO PART OF THIS DOCUMENT MAY BE REPRODUCED,
 STORED IN A RETRIEVAL SYSTEM, OR TRANSMITTED IN
 ANY FORM, WITHOUT THE WRITTEN PERMISSION OF
 Hestan Commercial Corporation. THIS DOCUMENT OR ANY
 COPIES SHALL BE RETURNED UPON WRITTEN REQUEST.

DESCRIPTION

**SERVICE, WALL OVEN, DOUBLE
 (KDO30 & KDO30-XX)**

DRAWING NO

KDO30-XX-SERVICE

REVISION

E

SHEET NO.
5 OF 7

6

5

4

3

2

1

DOUBLE OVEN PARTS LIST

KDO30 / KDO30-XX

9-Jul-2024

SECT. #	BALLOON #	HESTAN P/N	DESCRIPTION	NOTES
1	AC01	025466	PAN, ENAMELED	
1	AC02	025467	ANTISPLASH SHIELD	
1	AC03	025468	RACK,OVEN, CHROME, HESTAN	
1	AC07	025469	RACK, TELESCOPIC, HESTAN	
1	CR03	025470	HINGE RECEIVER, RIGHT, 80K	
1	CR04	025471	HINGE RECEIVER, LEFT, 80K	
1	EM22	025472	LAMP HOLDER WITH BULB, 120VAC, 400mm	
1	EM23	025473	LAMP HOLDER WITH BULB, 120VAC, 540mm	
1	EM24	025393	LAMP HOLDER WITH BULB, 120VAC, 320mm	
1	EM25	025474	CATALYST 80K	
1	EX01	025475	OVEN SUPPORT, LEFT, D80K, MATTE BLACK	
1	EX02	025476	OVEN SUPPORT, RIGHT, D80K, MATTE BLACK	
1	EX03	025477	TRIM, LOWER, OVEN, 80K, MATTE BLACK	
1	EX04	025478	AIR DEFLECTOR, EXIT, 80K, MATTE BLACK	
1	EX06	025479	SPACER, COOLING CHANNEL, D80K, MATTE BLACK	
1	EX07	025480	TRIM, SEPARATOR, LOWER, D80K, MATTE BLACK	
1	GU01	025481	FRONT FRAME GASKET, 80K	
1	LM02	025482	LEFT SIDE COVER, DOUBLE, 80K	
1	LM03	025483	RIGHT SIDE COVER, DOUBLE, 80K	
1	LM05	025484	UPPER COVER, FRONT, 80K	
1	LM06	025485	BOTTOM COVER ASSEMBLY, OVEN 80K	
1	LM07	025486	COVER LATERAL OVEN, 80K	
1	LM08	025487	COVER MEAT PROBE, 80K	
1	LM09	025488	FOOT, RIGHT, OVEN 80K	
1	LM11	025489	FOOT, LEFT, OVEN 80K	
1	LM12	025490	REAR COVER, 80K	
1	SM01	025491	COVER, TWO FAN, ENAMELED	
1	VM14	025439	SPACER FOR CERAMIC COOKTOP 24/30/36"	
2	AS01	025492	ASSEMBLY MOTOR LOCKING DOOR, 1 μ 120V 80K UL	
2	AS02	025493	ASSEMBLY DOOR LOCKING, 3T, 80K	
2	CB01	025494	SUPPLY WIRING w/ CONDUIT, DOUBLE OVEN, 4-WIRE, USA	
2	CB05	025495	WIRING OVEN 30" 80K, POWER UP-POWER DOWN	
2	EL08	025496	POWER BOARD, 80K HAWK3 UL	END - October 2021
2	EL08	052148	POWER BOARD, 80K, MODULAR LED, UL, 12782264	BEGIN - October 2021
2	EL09	025497	POWER BOARD, LOWER, 80K HAWK3 UL	END - July 22, 2018
2	EL09	037649	POWER BOARD, LOWER, 80K HAWK3 UL	BEGIN - July 23, 2018
2	EL10	025498	AUXILIARY BOARD, MEAT PROBE	END - October 2021
2	EL10	052147	WIRING, MEAT PROBE & GROUND, 80K, MODULAR LED, 12750505	BEGIN - October 2021
2	EL11	025499	TEMPERATURE PROBE, 80K OVEN	
2	EL12	025404	OVEN DOOR MICROSWITCH	
2	EL13	025500	PLUG, MEAT PROBE	
2	EL14	025501	MEAT PROBE	
2	EL15	025403	FLANGE FOR DOOR MICROSWITCH	
2	EM04	025502	TERMINAL BLOCK, 4P FV273	
2	EM05	025503	DELTA FILTER, 80K	
2	EM06	025504	COOLING FAN, TANGENTIAL, 80K, 120V	
2	EM07	025505	MOTOR, FAN, 80K, LEFT, 120V	
2	EM10	025506	HEATING ELEMENT AND REFLECTOR ASSEMBLY 3500W	



PROPRIETARY
NO PART OF THIS DOCUMENT MAY BE REPRODUCED,
STORED IN A RETRIEVAL SYSTEM, OR TRANSMITTED IN
ANY FORM, WITHOUT THE WRITTEN PERMISSION OF
Hestan Commercial Corporation. THIS DOCUMENT OR ANY
COPIES SHALL BE RETURNED UPON WRITTEN REQUEST.

DESCRIPTION

SERVICE, WALL OVEN, DOUBLE (KDO30 & KDO30-XX)

DRAWING NO

KDO30-XX-SERVICE

REVISION

E

SHEET NO.

6 OF 7

DOUBLE OVEN PARTS LIST

KDO30 / KDO30-XX

9-Jul-2023

SECT. #	BALLOON #	HESTAN P/N	DESCRIPTION	NOTES
2	EM11	025507	BOTTOM HEATING ELEMENT, 3000W 240V	
2	EM12	025508	RING HEATING ELEMENT, 1300W 240V	
2	EM14	025509	THERMOSTAT, MANUAL RESET, NC155°C-16A BIPOLAR Ty62-R	
2	EM16	025510	THERMOSTAT, FIXED TEMP., 16A 70°C	
2	EM19	025511	MOTOR, FAN, 80K, RIGHT, 120V	
2	EM20	025512	FAN BLADE, SS, LEFT, 30"	
2	EM21	025513	FAN BLADE, SS, 30"	
2	GU03	025514	RING ELEMENT SEAL, FIBER, 27/30"	
2	GU06	025515	GASKET, FIBER, CEILING, 80K	
2	LM01	025516	THERMOSTAT BRACKET	
2	LM04	025517	UPPER COVER, BACK, 80K	
2	VM03	025518	SPACER, ELECTRONIC CONTROL	
2	VM04	025519	SCREW, FAN MOTOR, 80K	
2	VM08	025520	SPACER, CERAMIC, MAIN POWER CONNECTOR	
3		025521	WIRING, OVEN, 30" 80K, DISPLAY BOARD-DISPLAY	END - October 2021
3	CB03	052153	CABLE, SELECTOR, MODULAR LED, 1A7501020	BEGIN - October 2021
3		025522	WIRING, OVEN, 30" 80K, DISPLAY BOARD-DISPLAY	END - October 2021
3	CB04	052154	DISPLAY, MODULAR LED, FLAT 8V L310, 12750500	BEGIN - October 2021
3	CB06	025523	WIRING, OVEN, 30" D80K, DISPLAY BOARD-PB LG.	
3	CB08	025524	WIRING, OVEN, 30" D80K, DISPLAY BOARD-SELECTOR	
3		025525	DISPLAY BOARD, CLOCK, WHITE, UL	END - October 2021
3	EL05	052150	DISPLAY BOARD, CLOCK, UL, MODULAR LED, 1A5400380	BEGIN - October 2021
3		025526	DISPLAY BOARD, FUNCTION, WHITE	END - October 2021
3	EL06	052149	DISPLAY BOARD, FUNCTION, MODULAR LED, 1A5400390	BEGIN - October 2021
3		025527	DISPLAY BOARD, TEMP., WHITE	END - October 2021
3	EL07	052151	DISPLAY BOARD, TEMP, MODULAR LED, 1A5400400	BEGIN - October 2021
3	EL33	019678	LED DRIVER, HESTAN	
3	EL34	017612	LED MODULE, KNOB LIGHTING, HESTAN	
3	EM01	025530	SELECTOR, 0+8 POSITION, MULTIFUNCTION MODEL	
3	EM03	025531	SELECTOR, TEMPERATURE	
3	EM70	025532	COMMUTATOR, 8F+0 L20 7LA-8902XX, KNOB LIGHTING	
3	MP01	020663	KNOB, HESTAN	
3	MP05	025534	GUIDE, SELECTOR	
3	MP07	019744	LENS, DIFFUSER, HESTAN	
3	SM10	025536	CONTROL PANEL, FRONT, D80K, HESTAN	
3	VM15	025537	SPACER, DISPLAY	
3	85	025542	WIRING, OVEN, 30" D80K	
3	86	025543	WIRING, KNOB LIGHTING, D80K HESTAN	
3	87	016512	TRANSFORMER, 40VA, 120VAC TO 12/24V	
4	AS04	025538	OVEN DOOR BASE ASSEMBLY 80K, HESTAN	
4.5		025539	DOOR HINGE ASSEMBLY, 80K GAS/DF/IND.	END - Mar. 17, 2019
4.5	CR01	037650	DOOR HINGE ASSEMBLY, 80K GAS/DF/IND.	BEGIN - Mar. 18, 2019
4.5	MN01	020670	HANDLE, WALL OVEN/WARMING DRAWER	
4.5	MN03	000463	ENDCAP, HANDLE, LH, SM	
4.5	MN04	000704	ENDCAP, HANDLE, RH, SM	
4	SM11	025540	PANEL, OVEN DOOR & GLASS w/ BADGE (STAINLESS STEEL)	
4	SM11	022925-XX	KIT, OVEN DOOR, LOWER, WALL OVEN (COLOR)	SPECIFY COLOR
4	AC31	024252	SERVICE, LARGE HESTAN LOGO w/ RETAINING RINGS & TAPE	
5	SM12	025541	PANEL, OVEN DOOR & GLASS w/o BADGE (STAINLESS STEEL)	
5	SM12	022937-XX	KIT, OVEN DOOR, UPPER, WALL OVEN (COLOR)	SPECIFY COLOR
		052155	THERMOSTAT, 16A-110°C, MODULAR LED, 05EH2630110	BEGIN - October 2021
		052156	ASSEMBLY, CAPACITOR, LOCK MOTOR, 2µ 120V 80K, MODULAR LED, 42782244	BEGIN - October 2021

Color Extension (-XX)	Description
	Stainless Steel
-BK	Stealth - Black
-WH	Froth - White
-RD	Matador - Red
-YW	Sol - Yellow
-OR	Citra - Orange
-BG	Tin Roof - Burgundy
-PP	Lush - Purple
-BU	Prince - Blue
-GR	Grove - Green
-GG	Pacific Fog - Graphite Gray
-TQ	Bora Bora - Turquoise



PROPRIETARY
NO PART OF THIS DOCUMENT MAY BE REPRODUCED,
STORED IN A RETRIEVAL SYSTEM, OR TRANSMITTED IN
ANY FORM, WITHOUT THE WRITTEN PERMISSION OF
Hestan Commercial Corporation. THIS DOCUMENT OR ANY
COPIES SHALL BE RETURNED UPON WRITTEN REQUEST.

DESCRIPTION

**SERVICE, WALL OVEN, DOUBLE
(KDO30 & KDO30-XX)**

DRAWING NO

KDO30-XX-SERVICE

REVISION

E

SHEET NO.

7 OF 7