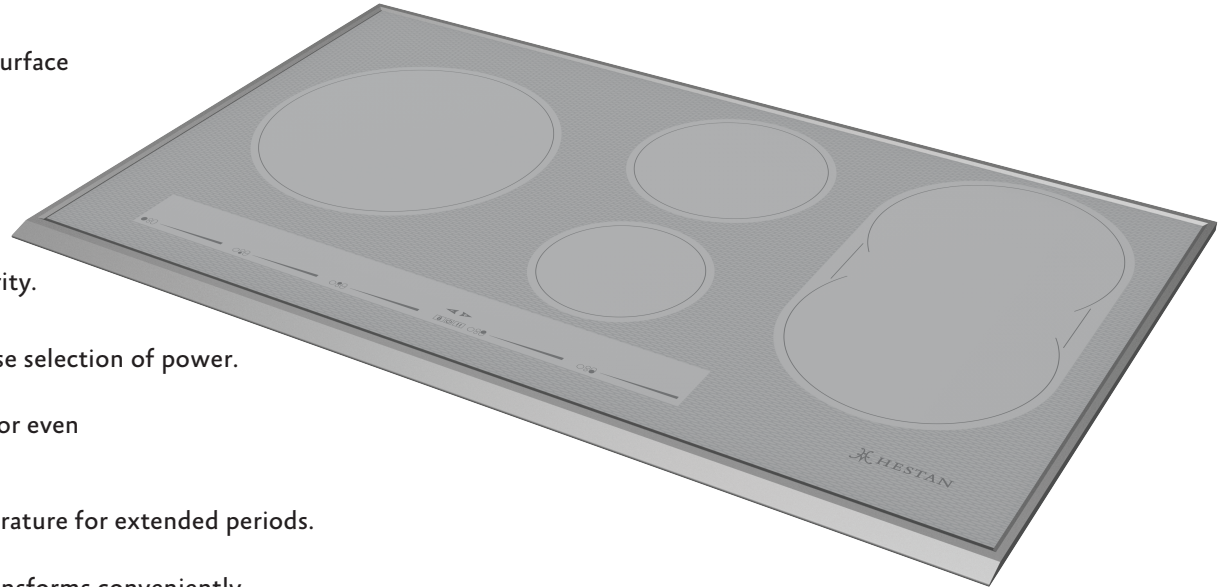


STANDARD FEATURES

 HESTAN

INDUCTION COOKTOPS

- Powerful energy efficient induction burners only heat up cooking surface area under cookware.
- Precision temperature control delivers consistent cooking results.
- Industry exclusive Marquise™ accented glass cooking surface presents an authentic visual connection to the Hestan design integrity.



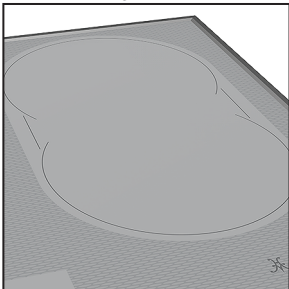
*Model as shown
KIC36-MS*

Energy Efficiency Burner



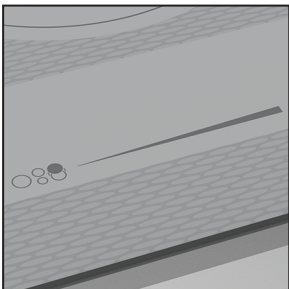
- Slide touch controls offer smooth, precise selection of power.
- Low simmer allows for gentle cooking for even the most delicate of sauces.
- Warming function maintains low temperature for extended periods.
- Versatile bridge element (36" model) transforms conveniently to a larger cooking surface.

Bridge Element



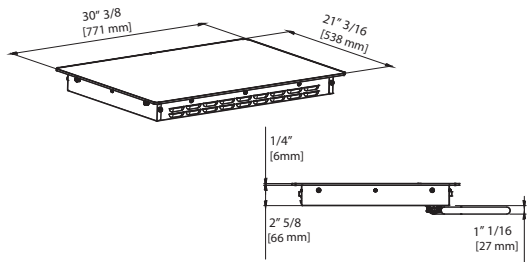
- Cookware detection system safely shuts off induction burners when cookware is removed. When cookware is returned original temperature setting is reestablished.
- Locking controls provide additional safety and peace of mind.
- 2 Timer functions allow for an independent timer or a timer for each individual cooking zone from 1 to 59 minutes.
- Automatic Quick-Boil heating function allows for elements to heat up more quickly to the desired heat setting.

Slide Touch Controls

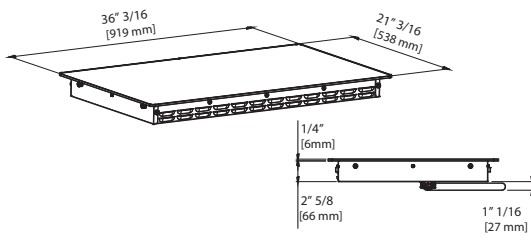


- Audible alerts and feedback provide certainty of control interface.
- Elegantly styled professional stainless steel frame adds beauty and protection.
- Available in black or metallic silver ceramic glass.

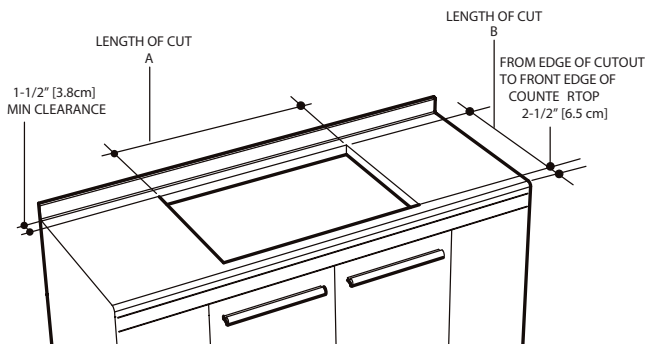
30" COOKTOP DIMENSIONS



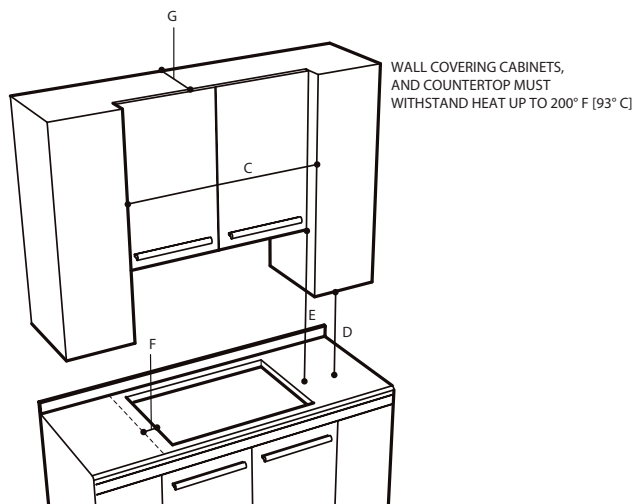
36" COOKTOP DIMENSIONS



CUTOUT DIMENSIONS



CUTOUT REQUIREMENTS



WALL COVERING CABINETS, AND COUNTERTOP MUST WITHSTAND HEAT UP TO 200° F [93° C]

Cutout width	A	B	C
30" [76.2cm]	28-3/4" +/- 1/16" [73.0 cm +/- 0.1cm]	19-7/16" +/- 1/16" [49.4 cm +/- 1mm]	30" [76.2 cm] min
36" [91.4cm]	34-5/8" +/- 1/16" [87.9 cm +/- 0.1cm]	19-7/16" +/- 1/16" [49.4 cm +/- 1mm]	36" [91.4 cm] min

Cutout width	D	E	F	G
30" [76.2cm]	18" [45.7 cm] min	30" [76.2 cm] min. [see note*] Clearance from countertop to unprotected overhead surface	2" [5 cm] min Clearance from cutout to side wall on the left and right of the unit	13" [33 cm] Depth of unprotected overhead cabinets
36" [91.4cm]	Height from counter-top to nearest cabinet on either side of unit	30" [76.2 cm] min. [see note*] Clearance from countertop to unprotected overhead surface	2" [5 cm] min Clearance from cutout to side wall on the left and right of the unit	13" [33 cm] Depth of unprotected overhead cabinets

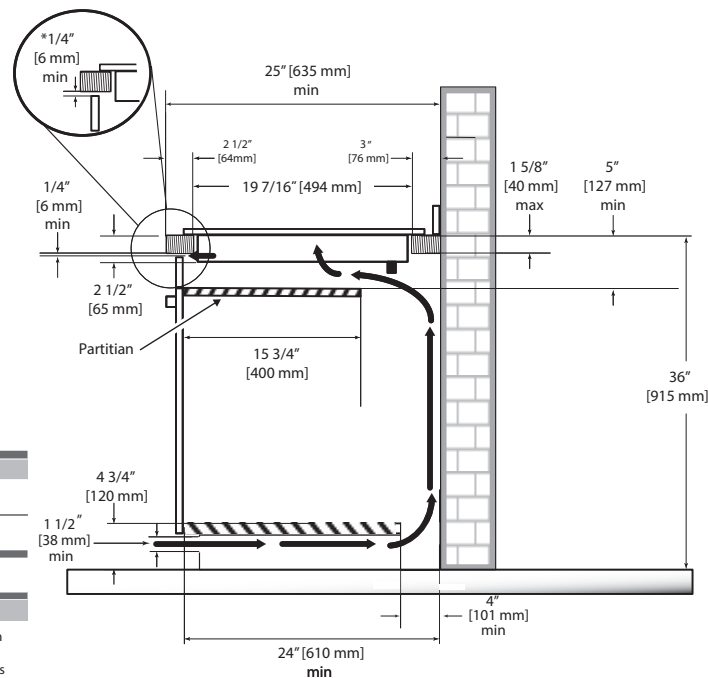
NOTICE

Under the cooktop it is necessary to install a partition, as shown.

NOTE: 24" [61 cm] min. clearance if bottom of wood or metal cabinets is protected by not less than 1/4" [0.6 cm] flame retardant millboard covered with no less than No. 28 MSG sheet steel 0.015" [0.04 cm] stainless steel, or 0.024" [0.06 cm] aluminum or 0.020" [0.05 cm] copper. 30" [76.2 cm] min. clearance between top of cooking platform and bottom of unprotected wood or metal cabinet.

VERTICAL CLEARANCES

* The ventilation opening is to extend the full length of the cooktop cutout.



ELECTRICAL REQUIREMENTS :
208/240V, 60Hz, 40 or 50 amps



Hestan Indoor products are approved for indoor use only. Hestan Commercial Corporation reserves the right to change materials and specifications without notice.

Built - In Models	Description	Cutout Dimensions		Circuit Breaker Required	Approx SHP WT (lbs)
		A (in.)	B (in.)		
KIC30-__	30" Induction Cooktop	28-3/4	19-7/16	40 Amp	59
KIC36-__	36" Induction Cooktop	34-5/8	19-7/16	50 Amp	74

_ = BK (black glass finish) _ = MS (metallic silver finish)