



# Induction Drop-in Cooktop

KIC<sub>30</sub>-XX  
Parts List

Hestan Commercial Corporation  
3375 E. La Palma Ave.  
Anaheim, CA 92806  
(888) 905-7463

RETAIN THIS FOR FUTURE REFERENCE

Í

Í

I

H

G

F

Ö

Ö

Ö

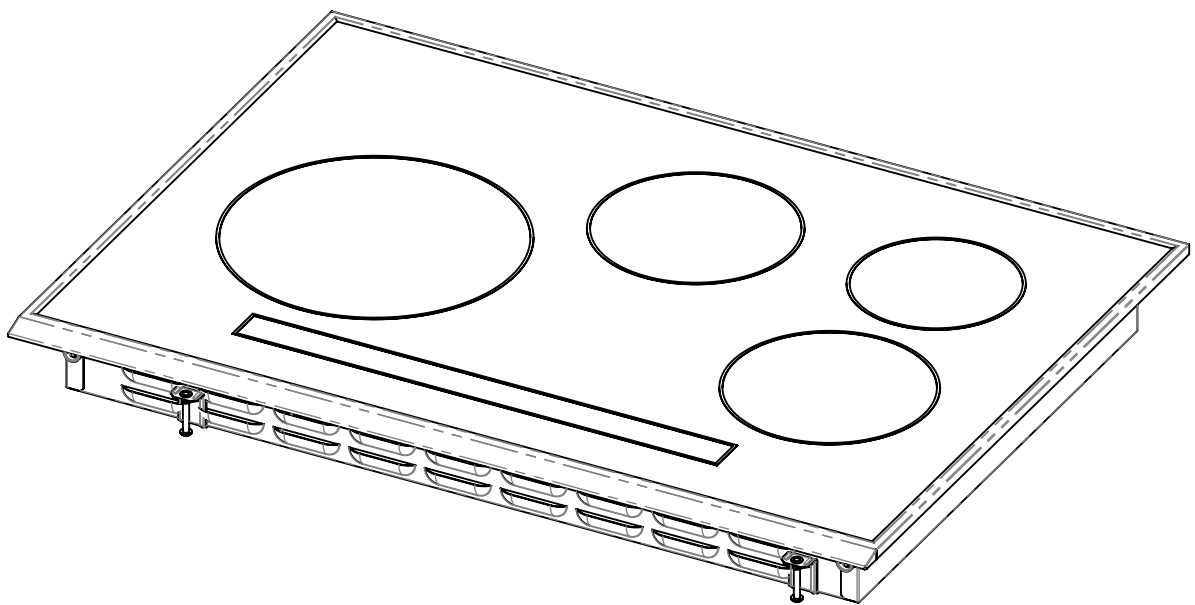
Ö

Ó

Ó

Œ

Œ



COLOR TABLE	
KIC30-BK	COOKTOP, INDUCTION, 30" - BLACK
KIC30-MS	COOKTOP, INDUCTION, 30" - METALLIC SILVER

 **HESTAN**

DFCDF-9H5FM  
P U A I O E V A U Z A P Q A U O M T O B V T O B A O O U O U O M C O C A  
U V U L O O Q A B U O U X G S A Y V O T B U A A U S P U T Q V C O R A  
O B Y A U T B Y Q P U W A P O A Y U Q V O A U O U T Q U S P A U A  
P \* \* Q A Q I ( ( A B A C D ) ) ( E F ) B P Q A U O M T O B V A U A B Y  
O U U Q U A P G S S C A U O W U P O A W U P A Y U Q V O A U O U V O U E

0000000000  
**G9FJ79Z7CC?HCDZ=B8I 7HCB'**  
**FP7' \$ILLL**

0000000000  
**?7' \$!LL!G9FJ79**

0000000000  
**B**  
0000000000

Í

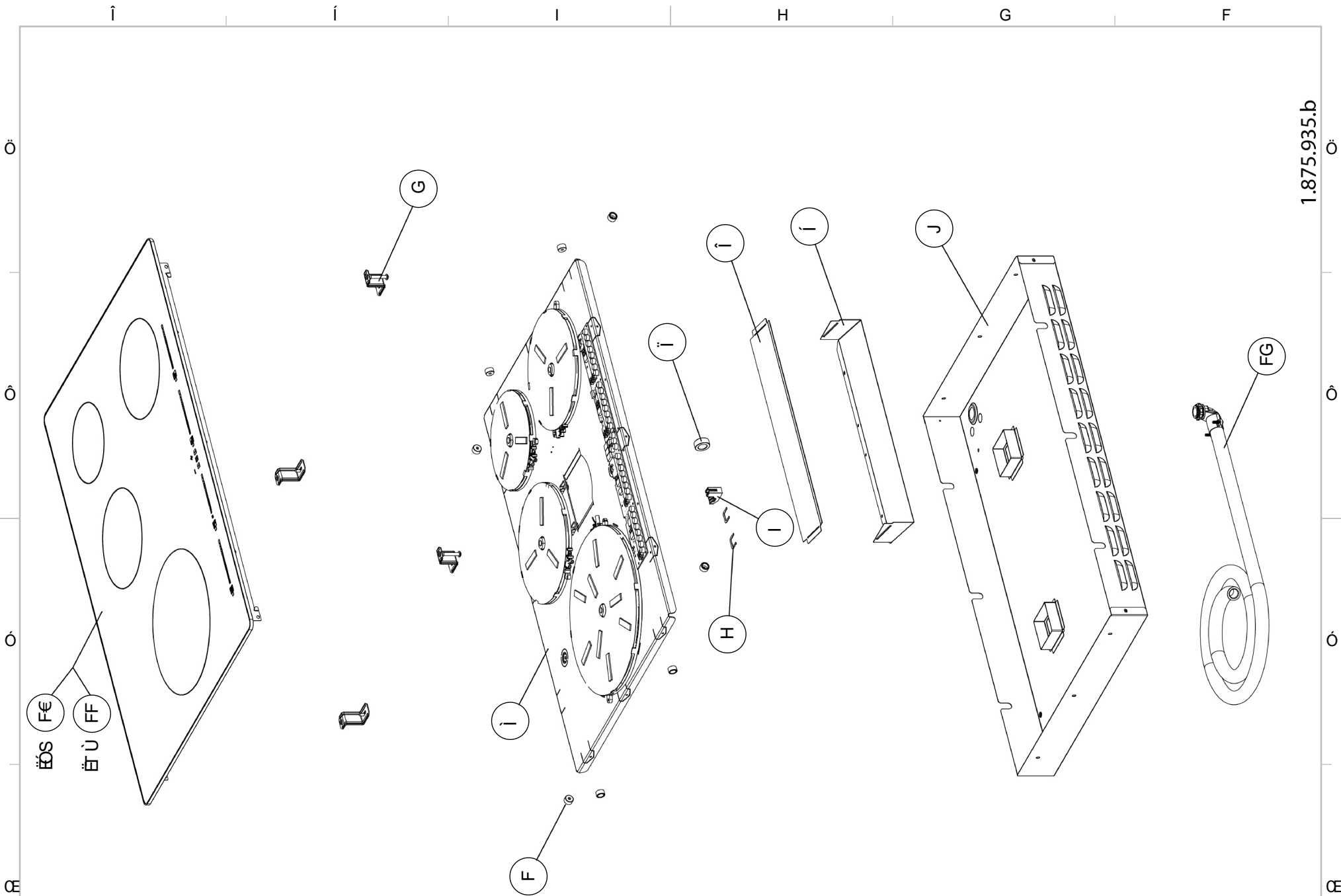
Í

I

H

G

F



DFCD F 9 H 5 F M  
 P U A I C E I V A U Z A P Q I Q U O M T C E V I T C E P A C C A U O U U O M C O C B  
 U N U L U O D C P A B U I O U D X G S A Y I V O T B U U A U C B U T O Y C O C B A  
 C E Y A U U T B Y Q P U W A P O A U Q V C P A U O U T Q U W I P A U A  
 P + \* Q I Q I [ 2 3 4 5 6 7 8 ] I J K L M N O P Q R S T U V W X Y  
 O U U Q U A P A S S I C C A U O W I U P C O A W U P X U Q V C P A I O U Y O U V E

00000000000  
**G9FJ79Z7CC?HCDZ=B8I 7HCB'**  
**FP7' \$ILLŁ**

00000000000  
**?7' \$!LL!G9FJ79**

00000000000  
**B**  
 00000000000  
**FÁUØÁG**

# INDUCTION DROP-IN COOKTOP PARTS LIST

KIC30-XX

Jan. 27, 2021

BALLOON #	HESTAN P/N	DESCRIPTION	NOTES
1	025439	SPACER, CERAMIC COOKTOP, 30/36	
2	025440	COUNTERTOP BRACKET W/SCREW	
3	025450	TERMINAL BLOCK JUMPER, BASIC1/G5 EGO	
4	025451	CABLE CLIP, TERMINAL BLOCK, INDUCTION	
5	025459	LOWER AIR CONVEYOR, VCR 30"IND.G5	
6	025460	UPPER AIR CONVEYOR, VCR 30"IND.G5	
7	025461	TOROID, OR25 10-15H	
8	025462	INDUCTION MODULE, 30" SLIDER, 7360W MOD.512 EGO	
9	025463	BOTTOM, VCR TC30" IND.G5 SLIDER C.F. (before 10-29-2018)	
	036482	BOTTOM, VCR TC30" IND.G5 SLIDER C.F. (after 10-29-2018)	
10	025464	GLASS CERAMIC WITH FRAME, 30", HESTAN -BK	BLACK
11	035487	GLASS CERAMIC WITH FRAME, 30", HESTAN -MS	METALLIC SILVER
12	025465	SUPPLY WIRING w/ CONDUIT, IND. 30", 10+16AWG	
	common w/ 36"		



DFCDF-9H5FM  
P U A O E V A U Z A P Q U O M T C E V T C E A O O U O U O M C O C A  
U V U L O O C P A B U O U X G E S A Y V O T B U U A U S B U T Q V C O C A  
C E Y A U T B Y Q P U W A P O A U Q V C E A U O T Q U Z B A U A  
P + \* Q I ( / & \* O J ) ( : ) B P Q U O M T C E V A U A B Y  
O U U B U A P E S S C A U O W U P O A W U P A U Q V C A U O U V E

0000000000  
G9FJ=9ž7CC?HCDž=B8I 7HCB'  
fP = ' \$!LLŁ

0000000000  
? = ' \$!LL!G9FJ=9

0000000000  
B  
GÁUÓAG