



INDOOR COOKING

Smart Induction Cooktop
KICS

Installation Manual

 HESTAN

⚠️ WARNING

IF THE INFORMATION IN THIS MANUAL IS NOT FOLLOWED EXACTLY, A FIRE OR EXPLOSION MAY RESULT CAUSING PROPERTY DAMAGE, PERSONAL INJURY, OR DEATH.

Do not store or use gasoline or other flammable vapors and liquids in the vicinity of this or any other appliance.

Installation and service must be performed by a qualified installer or service agency.

DO NOT REPAIR, REPLACE OR REMOVE ANY PART OF THE APPLIANCE UNLESS SPECIFICALLY RECOMMENDED IN THE MANUAL. IMPROPER INSTALLATION, SERVICE OR MAINTENANCE CAN CAUSE INJURY OR PROPERTY DAMAGE. REFER TO THIS MANUAL FOR GUIDANCE. ALL OTHER SERVICING SHOULD BE DONE BY A QUALIFIED TECHNICIAN.

READ THESE INSTRUCTIONS CAREFULLY AND COMPLETELY BEFORE INSTALLING OR USING YOUR APPLIANCE TO REDUCE THE RISK OF FIRE, BURN HAZARD, OR OTHER INJURY. KEEP THIS MANUAL FOR FUTURE REFERENCE.

SAFETY DEFINITIONS

⚠️ WARNING

THIS INDICATES THAT DEATH OR SERIOUS INJURY MAY OCCUR AS A RESULT OF NOT OBSERVING THIS WARNING

⚠️ CAUTION

THIS INDICATES THAT MINOR OR MODERATE INJURY MAY OCCUR AS A RESULT OF NOT OBSERVING THIS WARNING.

NOTICE

THIS INDICATES THAT DAMAGE TO THE APPLIANCE OR PROPERTY MAY OCCUR AS A RESULT OF NOT OBSERVING THIS WARNING.

INSTALLER: LEAVE THIS MANUAL WITH THE OWNER OF THE APPLIANCE.

HOMEOWNER: RETAIN THIS MANUAL FOR FUTURE REFERENCE.

TABLE OF CONTENTS

1	SAFETY PRECAUTIONS - BEFORE YOU BEGIN
2	MODEL NUMBERS
2	RATING LABEL
2	REGULATORY / CODE REQUIREMENTS
3	CUTOUT DIMENSIONS AND REQUIREMENTS
6	COOKTOP INSTALLATION
9	ELECTRICAL CONNECTIONS
11	FINAL SETUP
12	PARTS LIST
12	SERVICE

SAFETY PRECAUTIONS - BEFORE YOU BEGIN

When properly cared for, your Hestan appliance will provide safe, reliable service for many years. When using this appliance, basic safety practices must be followed as outlined below.

IMPORTANT: Save these instructions for the local electrical inspector's use.

INSTALLER: Please leave these Installation Instructions with the owner.

OWNER: Please retain these Installation Instructions for future reference.

Do NOT install this appliance outdoors.

⚠️ WARNING

ELECTRICAL SHOCK HAZARD

Disconnect power before installing or servicing appliance. Failure to do so can result in death or electrical shock.



ELECTRICAL GROUNDING

This appliance must be grounded. Grounding reduces the risk of electric shock in the event of a short circuit. Read the ELECTRICAL CONNECTIONS section of this manual for complete instructions.

DO NOT ground to a gas pipe.

DO NOT use an extension cord with this appliance.

DO NOT have a fuse in the NEUTRAL or GROUNDING circuit. A fuse in the NEUTRAL or GROUNDING circuit could result in an electrical shock.

MODEL NUMBERS

COOKTOP MODELS

MODEL NO.	DESCRIPTION	CIRCUIT BREAKER REQUIRED
KICS30	30" Smart Induction Cooktop	40 Amp
KICS36	36" Smart Induction Cooktop	50 Amp

RATING LABEL

The rating label contains important information about your Hestan appliance such as the model and serial number, electrical rating and the minimum installation clearances.

The rating label is located on the bottom of the cooktop.

If service is necessary, contact Hestan Customer Service with the model and serial number information shown on the label.

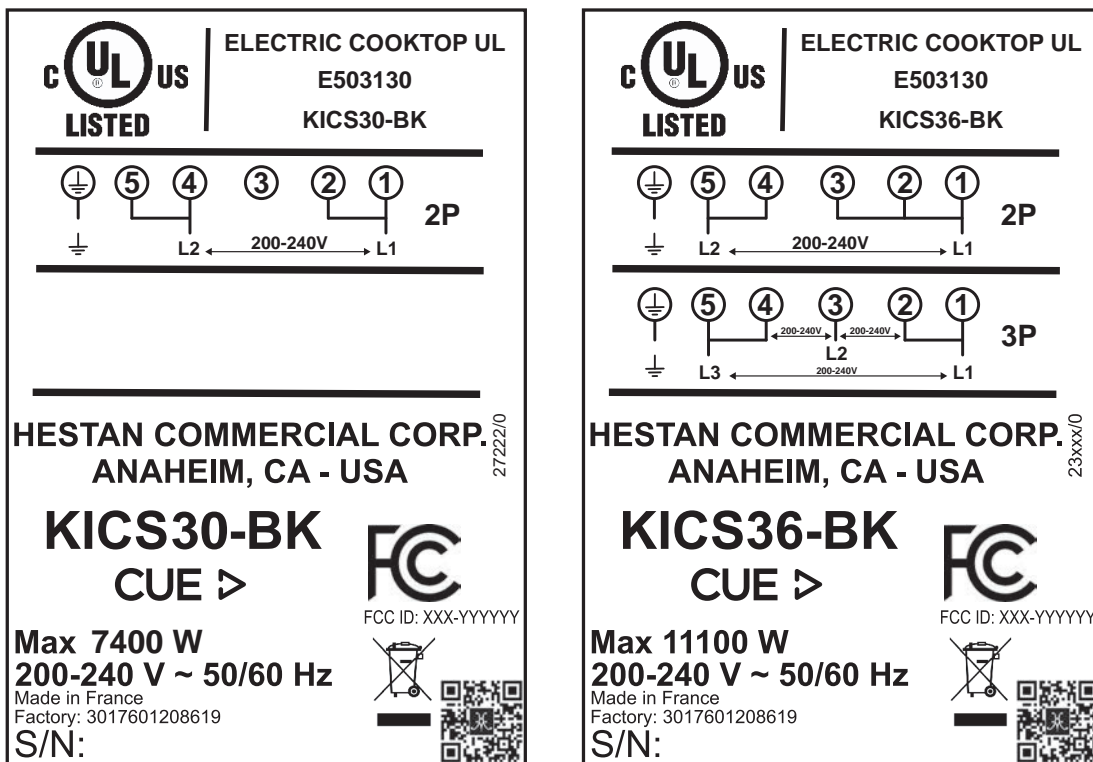
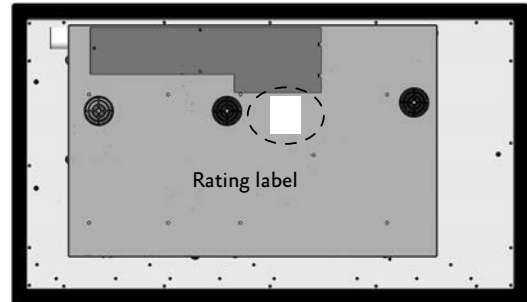


Figure 1. Typical rating labels

REGULATORY / CODE REQUIREMENTS

Installation of this cooking appliance must be made in accordance with local codes. In the absence of local codes, this unit should be installed in accordance with the National Electrical Code and local codes.

This appliance must be electrically grounded in accordance with local codes or in the absence of local codes with the National Electrical Code *ANSI/NFPA 70*, or Canadian Electrical code *CSA C22.1*.

CUTOUT DIMENSIONS AND REQUIREMENTS

CABINET REQUIREMENTS

To eliminate the risk of burns or fire by reaching over heated surface units, cabinet storage units located above the surface units should be avoided. If cabinet storage is to be provided, the risk can be reduced by installing a range hood that projects horizontally a minimum of 5 inches [12.7 cm] beyond the bottom of the cabinets.

EN

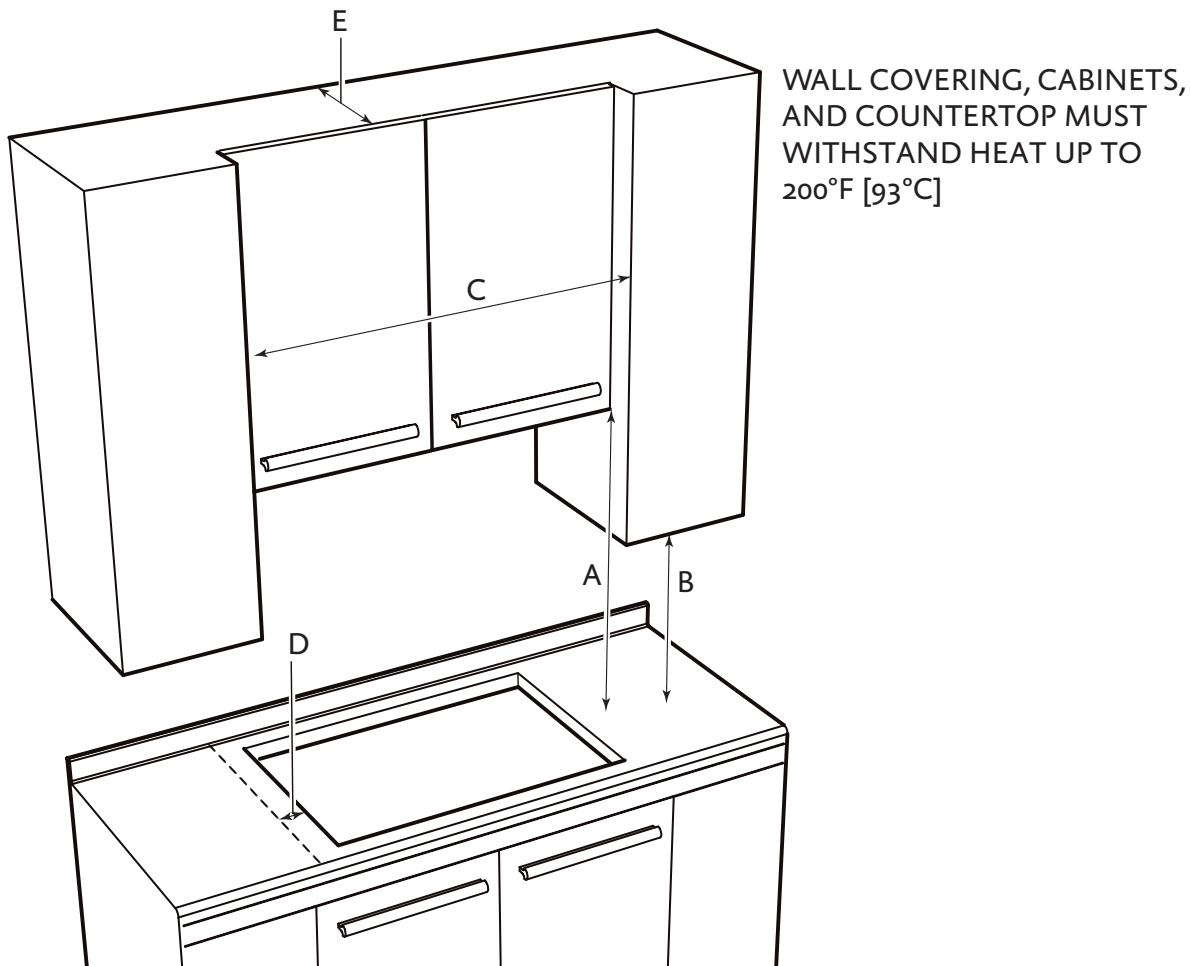


Figure 2. Cabinet clearances

Model	A	B	C
KICS30	30" [76.2 cm] min. clearance from countertop to unprotected overhead surface, or as required by ventilation hood. *	18" [45.7 cm] min. height from countertop to nearest cabinet on either side of unit.	30" [76.2 cm] min.
KICS36			36" [91.4 cm] min.

Model	D	E
KICS30	2" [5.1 cm] min clearance from cutout to side wall on the left or right of the unit. **	13" [33 cm] depth of unprotected overhead cabinets.
KICS36		

* 30" [76.2 cm] minimum clearance between the top of the cooking surface and the bottom of an unprotected wood or metal cabinet.

** It is permissible to mount the cooktop as close as 2" [5.1 cm] away from a cabinet or wall on one side. The other side must be unobstructed.

CUTOUT DIMENSIONS AND REQUIREMENTS (CONT)

BEFORE YOU START

NOTICE

Do not install the cooktop above an unventilated oven or a dishwasher.

The cooktop is 2-1/2" [6.4 cm] deep, and requires a minimum 1" [2.5 cm] clearance below it.

If a drawer is directly below the cooktop, it and its contents must be heat resistant. Such a drawer should be placed/arranged so that nothing can be drawn from the drawer into the ventilation fans of the cooktop.

IMPORTANT PREPARATION SUGGESTIONS

Chamfer all exposed edges of decorative laminate to prevent damage from chipping.

Radius corners of cutout and file to ensure smooth edges and prevent corner cracking. A 1/4" or 3/8" [6.3 - 9.5 mm] diameter drilled hole at each corner to start the cut is recommended.

Rough edges, inside corners which have not been rounded and forced fits can contribute to cracking of the countertop laminate.

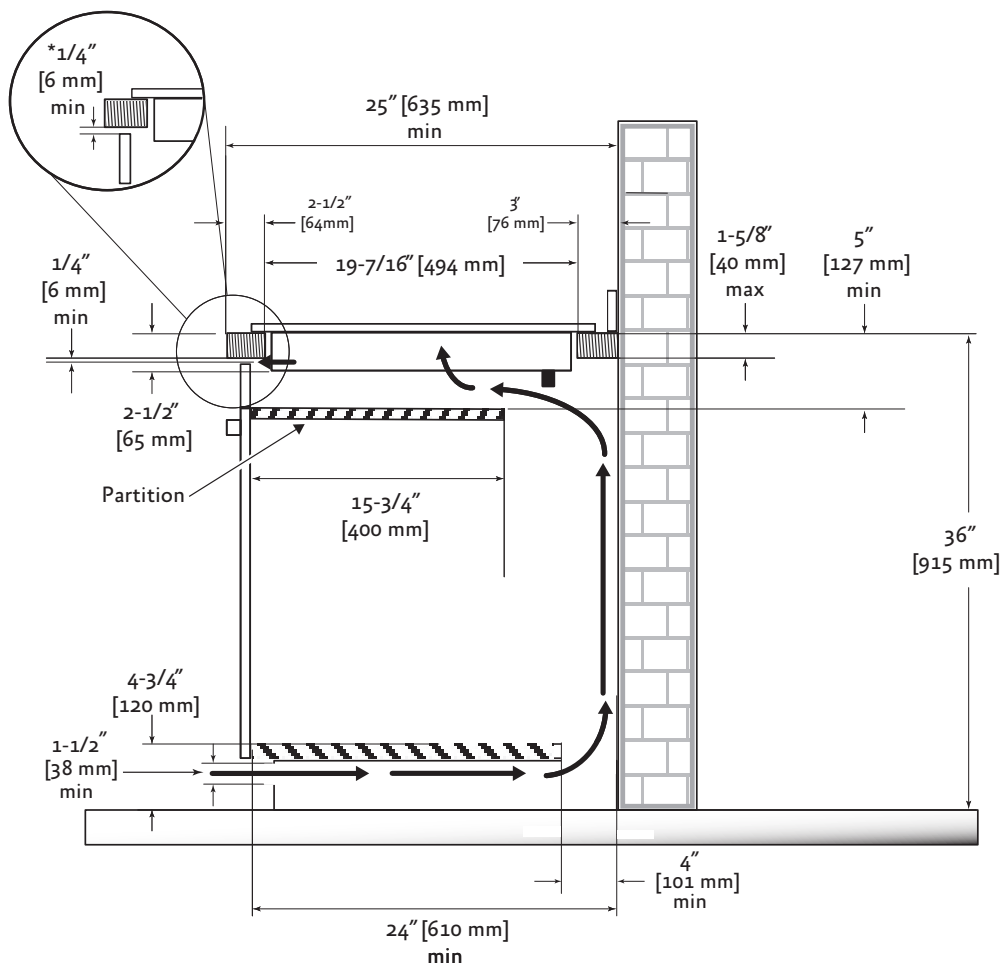
If the countertop material is susceptible to moisture, the cut edges should be sealed with a suitable sealer. All materials and adhesives must be able to withstand temperatures up to 200°F [93°C].

The junction box must be accessible with the cooktop in place.

For service purposes it is advisable to have enough access to the bottom of the cooktop so that it can be lifted out.

VERTICAL CLEARANCES

* The ventilation opening is to extend the full length of the cooktop cutout.



CUTOUT DIMENSIONS AND REQUIREMENTS (CONT.)

EN

Model	W
KICS30	30-5/16" [77.0 cm]
KICS36	36-5/32" [91.8 cm]

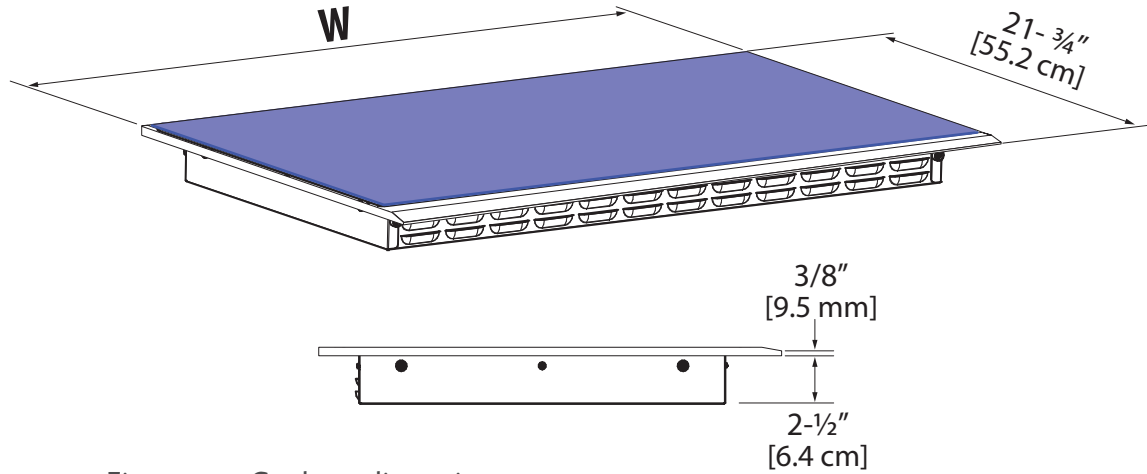


Figure 3. Cooktop dimensions

Model	F
KICS30	28-3/8" [72 cm]
KICS36	34-1/4" [87 cm]

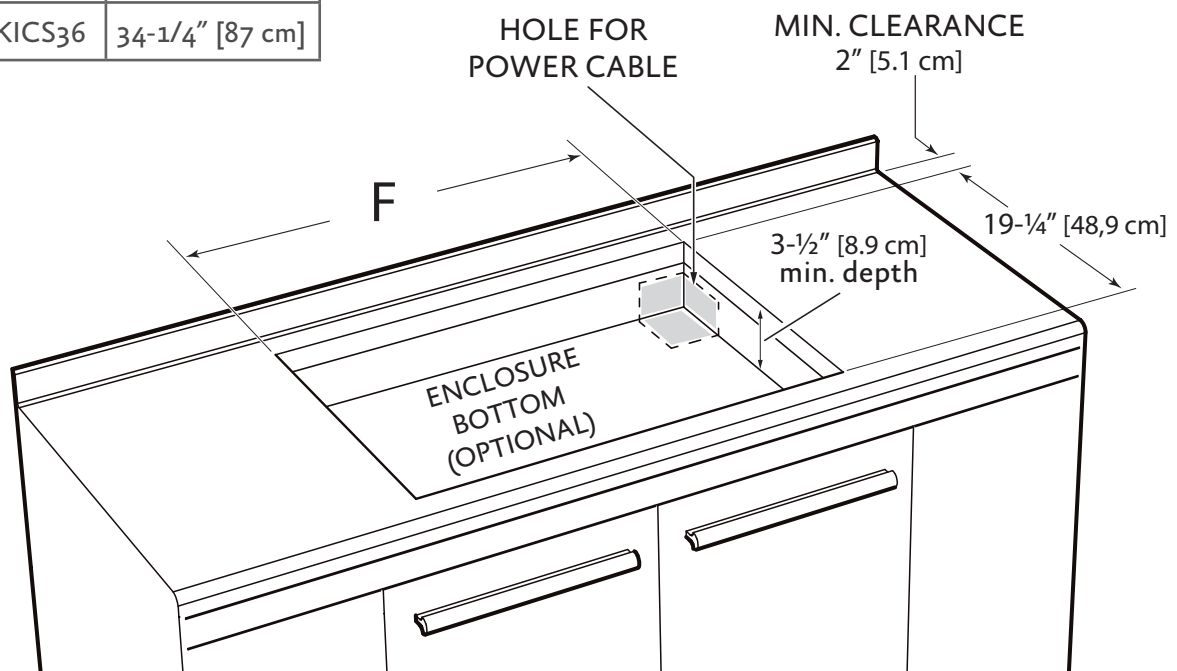


Figure 4. Cutout dimensions

COOKTOP INSTALLATION

⚠ CAUTION

EXCESSIVE WEIGHT HAZARD

Use two or more people to move and install cooktop. Failure to do so can result in back or other injury.

CUT HAZARD

Beware of sharp edges. Wear protective gloves or use the polystyrene ends when carrying the product. Failure to use caution could result in minor injury or cuts.

Always consult the countertop manufacturer for specific instructions.

Ensure the countertop is square and level and ensure no structural members interfere with space requirements.

Prepare the cutout according to the instructions (see cutout dimensions).

Make sure the wall coverings, countertop and cabinets around the cooktop can withstand heat (up to 200°F / 93°C).

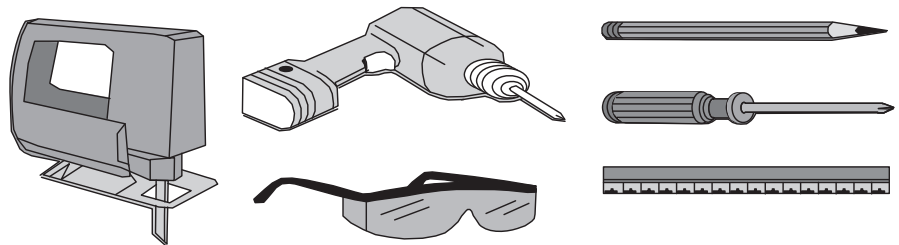


Figure 5. Needed tools

STEP 1

Remove packaging materials and literature package from the cooktop before beginning installation. Read this Installation Manual carefully before you begin.

STEP 2

Place a towel or cloth on the work surface. Place the cooktop face down on the protected area.

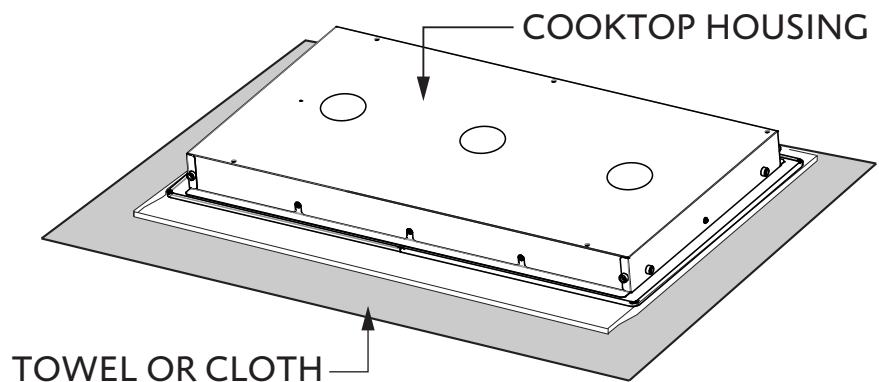


Figure 6. Protecting the surface

COOKTOP INSTALLATION (CONT)

STEP 3

A foam tape is provided to seal the cooktop to the countertop. Apply tape to the underside of the cooktop glass between the body of the cooktop and the inner edge of the metal frame.

There should be about $\frac{3}{32}$ " [2 mm] between the edge of the tape and the edge of the glass. Use tape around the entire glass perimeter.

The tape will retain the cooktop and seal against leaks into the cabinet. Trim the tape ends so that they meet with no gaps.

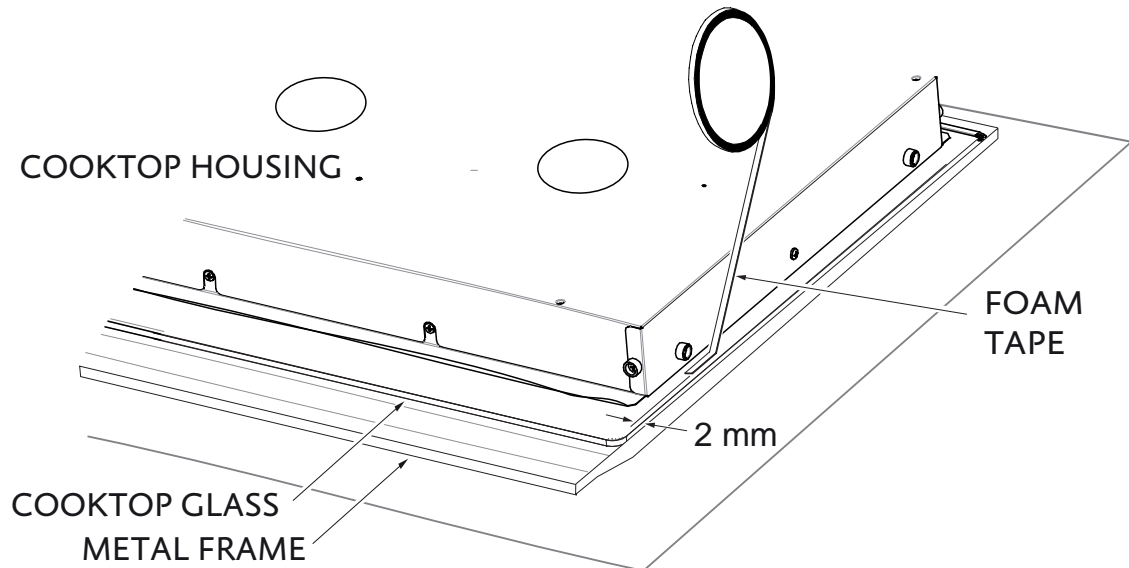


Figure 7. Apply foam tape

STEP 4

Make a final check that all required clearances are met.

Feed the cable through the cabinet as needed. Insert the cooktop centered into the cutout opening. Make sure the front edge of the cooktop is parallel to the countertop.

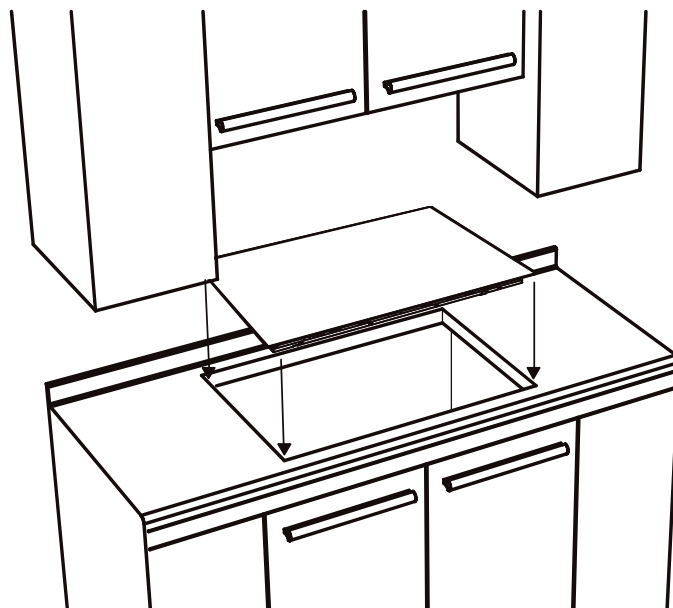


Figure 8. Placing cooktop

COOKTOP INSTALLATION (CONT.)

COOKTOP INSTALLATION OVER A SINGLE OVEN

CAUTION

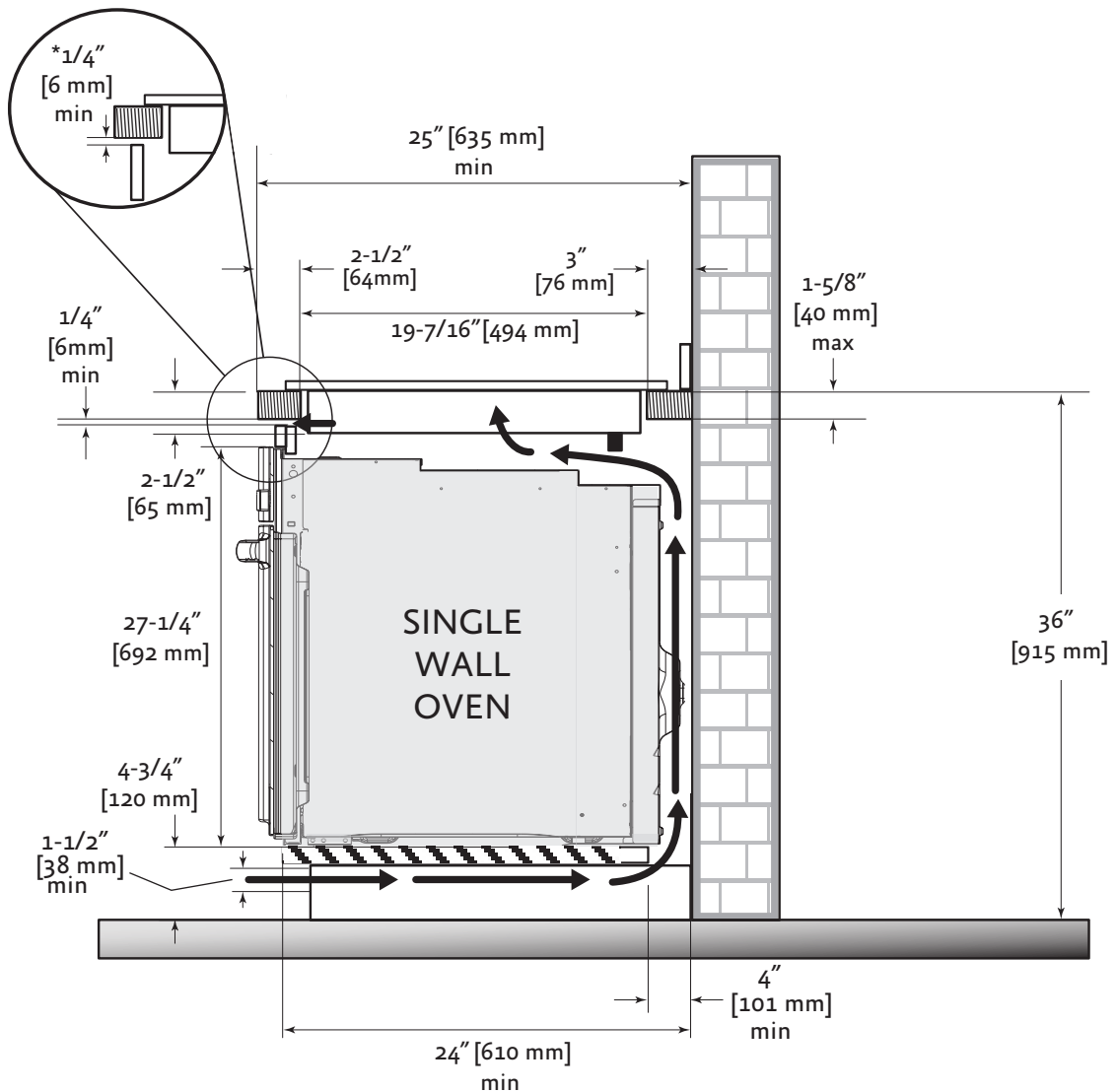
Use the countertop opening dimensions that are given with these instructions.

The cooktop may be installed over a single oven. The oven must exhaust out of the cooktop enclosure.

The cooktop should be centered over the oven.

The cooktop and the oven must be installed according to each specific installation instruction.

* The ventilation opening is to extend the full length of the cooktop cutout.



ELECTRICAL CONNECTIONS



WARNING Disconnect power before servicing the product. Failure to do so could result in death or electrical shock.



NOTICE Your cooktop can use 200-240V at 50 or 60 Hz.

EN

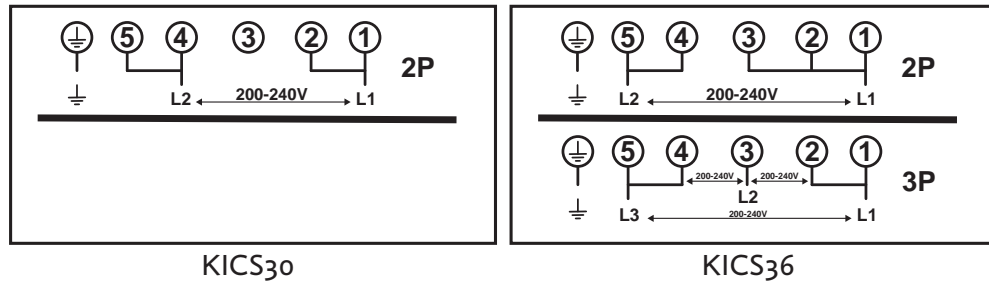
The connection leads are 3x8 AWG copper.

This cooktop does not require a neutral connection. If the cooktop is to be completely enclosed in a cabinet, feed the cooktop cable through the opening in the cabinet.

Make the electrical connection following the appropriate steps for your installation.

The 3/4" flexible conduit is 4-1/2 feet long [1.37 m] located at the right rear of the cooktop housing. Do not cut the conduit. It should be connected directly into a junction box with a U.L - or CSA - listed conduit connector.

- A dedicated time-delay fuse or circuit breaker is recommended.
- Do not ground to a gas pipe. Do not have a fuse in the grounding circuit.
- Both supply (phase) lines must be protected by fuses or a circuit breaker.
- Verify the jumper configuration on the bottom of the unit is as shown below before restoring power. Incorrect jumper configuration may result in an error code / improper function of the unit.



A three-wire, single-phase, 200-240 V, 60 Hz electrical system, properly circuit protected to meet local codes of NFPA No.70 must be provided. The unit must be properly grounded in accordance with local wiring codes. The chart on page 2 recommends the minimum circuit protector size if the appliance is the only unit on the circuit.

If smaller sizes of wire are used, the unit efficiency will be reduced and a fire hazard may be created. It is advisable that the electrical wiring and hookup be accomplished by a competent electrician.

National Fire Protection Association (NFPA)
1 Batterymarch Park
Quincy, Massachusetts
02169-7471
USA

JUNCTION BOX LOCATION

The ELECTRICAL CONDUIT is 4-1/2 feet [1.37 m] long. DO NOT CUT THIS CONDUIT.

The junction box must be located where it will allow considerable slack in the conduit for serviceability.

- Place junction box so that the conduit will easily reach it. Make sure that the conduit will clear any drawers or other obstructions.
- Install junction box so that it can be reached through the front of the cabinet.

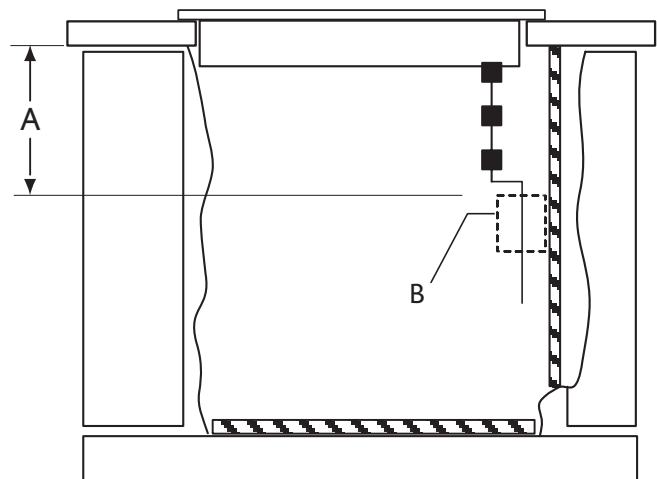


Figure 9. Location of electrical connection

ELECTRICAL CONNECTIONS (CONT)

This appliance is manufactured with a green ground wire connected to the cooktop chassis. After making sure that the power has been turned off, connect the flexible conduit from the cooktop to the junction box using a U.L. listed conduit connector. The instructions provided below present the most common way of connecting the cooktop. Your local codes and ordinances, of course, take precedence over these instructions. Complete electrical connections according to local codes and ordinances.

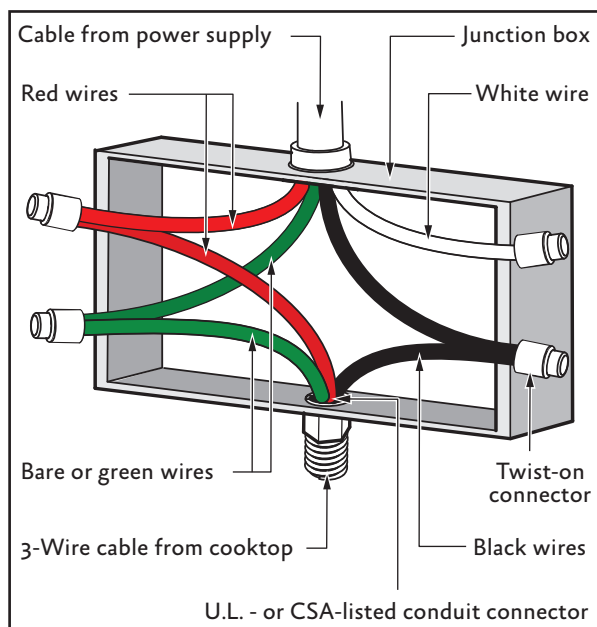
⚠️ WARNING

RISK OF ELECTRIC SHOCK. The frame is grounded to neutral of appliance through a link.

Grounding through the neutral conductor is prohibited for new branch circuit installations (1996 NEC); mobile homes, and recreational vehicles, or in an area where local codes prohibit grounding through the neutral conductor.

4-WIRE BRANCH CIRCUIT

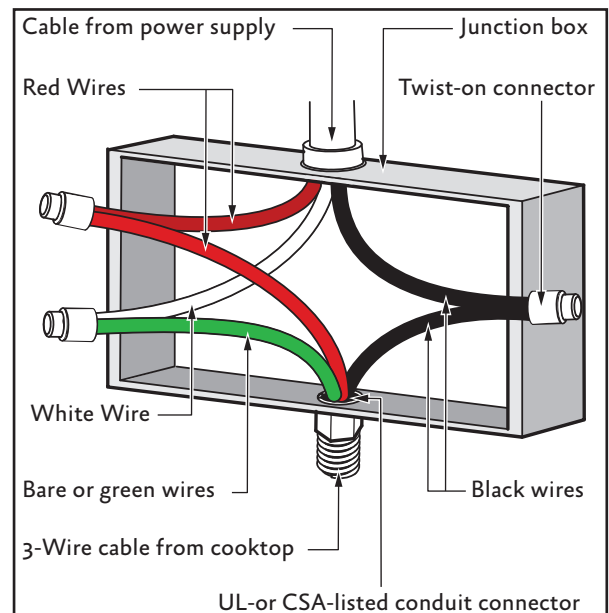
- 1) Connect the green ground wire from the cooktop to the ground wire in the junction box (bare or green colored wire)
- 2) Connect the red and black leads from the cooktop to the corresponding leads in the junction box.
- 3) Terminate and insulate the neutral (gray or white colored wire) in the junction box.



3-WIRE BRANCH CIRCUIT

Where local codes allow the connection of ground wire from the cooktop to the branch circuit neutral wire (gray or white colored wire) proceed as follows:

- 1) If local codes permit, connect the green GROUND wire from the cooktop to the branch circuit neutral wire (gray or white colored wire).
- 2) Connect the red and black leads from the cooktop the corresponding leads in the junction box.



Where local codes permit connecting the frame-ground conductor to the neutral (white) junction box wire.

(Not used for Canadian installations)

FINAL SETUP

CLEANUP, VERIFY POWER

Remove any final packaging materials and protective film from all exterior areas.

Check the electrical requirements for the correct electrical supply and that the cooktop is properly grounded.

Check power at the junction box wires using a voltmeter having a range of 0-250 VAC.

- A 240 Volt supply should read 220 to 240 Volts between the black and red wires (Line to Line).
- A 208 Volt supply should read 190 to 208 Volts between the black and red wires.

FUNCTIONAL TEST

The following test will confirm that the cooktop is working correctly.

- 1) Fill an induction-capable cookware piece with 1/2 - 1" [1.2-2.5 cm] of water and place it on one of the cooking zones.
- 2) Switch the Control ON by touching the Power key (1).
- 3) Touch the zone [ON/OFF] key (13) for the cook zone where the cookware is.
- 4) Touch the power slider for that zone and set it to a level between 3 and 9.
- 5) Observe that the display responds to the power setting, and observe that the cookware begins to heat up.
- 6) Touch the ON/OFF key (13) for that zone to turn it off.
- 7) Touch the Power key (1) to turn the cooktop off.

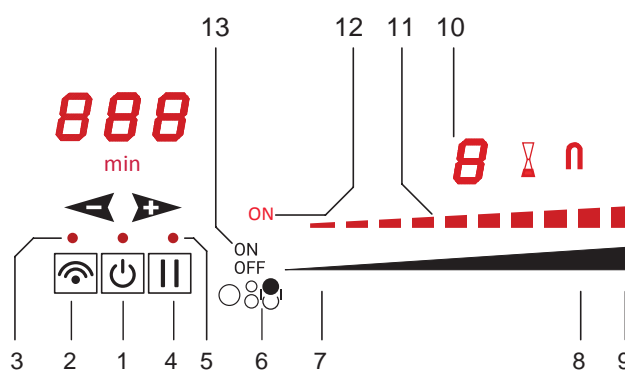


Figure 10. Cooktop controls

Item	Function	Item	Function
1	Power key	8	Power slider - maximum power
2	Connectivity key	9	Select Power Booster
3	Connectivity indicator	10	Cooking zone level display
4	Pause key	11	Power level indicator
5	Pause / Recall indicator	12	Cooking zone indicator
6	Graphic indicating controlled zone	13	Cooking zone ON/OFF
7	Power slider - minimum power		

CRITERIA

If the controls respond as described and the cookware heats up, then the test is successful.

PARTS LIST

Please visit the Hestan website to access the parts list for your Hestan Indoor product:
www.hestanhome.com.

SERVICE

All warranty and non-warranty repairs should be performed by qualified service personnel. To locate an authorized service agent in your zone, contact your Hestan dealer, local representative, or Hestan. Before you call, please have the model number and serial number information ready.

Hestan Commercial Corporation
3375 E. La Palma Avenue
Anaheim, CA 92806
(888) 905-7463

▲ AVERTISSEMENT

L'INOBSERVATION DES INFORMATIONS DONNÉES DANS CE MANUEL PEUT ENTRAÎNER UN INCENDIE OU UNE EXPLOSION DE NATURE À CAUSER DES DÉGÂTS MATÉRIELS ET DES BLESSURES GRAVES, VOIRE MORTELLES.

Ne pas entreposer ni utiliser de l'essence ni d'autres vapeurs ou liquides inflammables dans le voisinage de l'appareil, ni de tout autre appareil.

L'installation et l'entretien doivent être effectués par un installateur qualifié, ou une agence de service.

NE PAS RÉPARER NI REMPLACER DES PIÈCES DE L'APPAREIL À MOINS QUE CELA NE SOIT EXPRESSÉMENT RECOMMANDÉ DANS LE MANUEL. TOUTE INSTALLATION, RÉPARATION OU MAINTENANCE INADÉQUATE PEUT ENTRAÎNER DES BLESSURES OU DES DOMMAGES MATÉRIELS. CONSULTER CE MANUEL POUR OBTENIR DES CONSEILS SUR LA FAÇON DE PROCÉDER. TOUS LES TRAVAUX D'ENTRETIEN DOIVENT ÊTRE CONFIEÉS À UN TECHNICIEN QUALIFIÉ.

LISEZ ATTENTIVEMENT ET COMPLÈTEMENT CES INSTRUCTIONS AVANT D'INSTALLER OU D'UTILISER VOTRE APPAREIL AFIN DE RÉDUIRE LES RISQUES D'INCENDIE, DE BRÛLURE OU D'AUTRES BLESSURES. CONSERVER CE MANUEL POUR RÉFÉRENCE FUTURE.

DÉFINITIONS DE SÉCURITÉ

▲ AVERTISSEMENT

CECI INDIQUE QUE L'INOBSERVATION DE CET AVERTISSEMENT PEUT ENTRAÎNER DES BLESSURES GRAVES VOIRE MORTELLES.

▲ PRÉCAUTION

CECI INDIQUE QUE L'INOBSERVATION DE CET AVERTISSEMENT PEUT ENTRAÎNER DES BLESSURES MINEURES OU MODÉRÉES.

AVIS

CECI INDIQUE QUE L'INOBSERVATION DE CET AVERTISSEMENT PEUT ENTRAÎNER DES DOMMAGES DE L'APPAREIL OU DES DÉGÂTS MATÉRIELS.

INSTALLATEUR: LAISSER CE MANUEL AVEC LE PROPRIÉTAIRE DE L'APPAREIL.

PROPRIÉTAIRE: CONSERVEZ CE MANUEL POUR RÉFÉRENCE FUTURE.

TABLES DES MATIERES

1	PRÉCAUTIONS DE SÉCURITÉ - AVANT DE COMMENCER
2	NUMÉROS DE MODÈLE
2	PLAQUE SIGNALÉTIQUE
2	RESPECT DE LA RÉGLEMENTATION ET DES CODES EN VIGUEUR
3	DIMENSIONS DU PRODUIT ET EXIGENCES DE DÉCOUPE
6	INSTALLATION DE LA TABLE DE CUISSON
9	CONNEXIONS ELECTRIQUES
11	CONFIGURATION FINAL
12	LISTE DES PIÈCES
12	SERVICE

PRÉCAUTIONS DE SÉCURITÉ - AVANT DE COMMENCER

Lorsqu'elle est correctement entretenue, votre appareil Hestan fournira un service sûr et fiable pendant de nombreuses années.

Lors de l'utilisation de cet appareil, des pratiques de sécurité de base doivent être suivies comme indiqué ci-dessous.

IMPORTANT: Conservez ces instructions pour l'utilisation de l'inspecteur électrique local.

INSTALLATEUR: Veuillez laisser ces instructions d'installation avec le propriétaire.

PROPRIÉTAIRE: Veuillez conserver ces instructions d'installation pour référence future.

N'installez PAS cet appareil à l'extérieur.



RISQUE DE CHOC ÉLECTRIQUE

Débranchez l'alimentation avant d'installer ou d'entretenir l'appareil. Ne pas le faire peut entraîner la mort ou un choc électrique.



MISE À LA TERRE ÉLECTRIQUE

Cet appareil doit être mis à la terre. La mise à la terre réduit le risque de choc électrique en cas de court-circuit. Lisez la section BRANCHEMENTS ÉLECTRIQUES de ce manuel pour des instructions complètes.

NE PAS broyer sur un tuyau de gaz.

N'utilisez PAS de rallonge avec cet appareil.

N'ayez PAS de fusible dans le circuit NEUTRE ou TERRE. Un fusible dans le circuit NEUTRE ou MISE A LA TERRE pourrait entraîner un choc électrique.

NUMÉROS DE MODÈLE

MODÈLES DE TABLE DE CUISSON

NO. MODÈLE	DESCRIPTION	DISJONCTEUR REQUIS
KICS30	Table de cuisson à induction Smart de 30 po	40 Ampères
KICS36	Table de cuisson à induction Smart de 36 po	50 Ampères

FR

PLAQUE SIGNALÉTIQUE

La plaque signalétique fournit des informations importantes sur cet appareil Hestan telles que le numéro de série, le numéro de modèle et la classification électrique.

La plaque signalétique est située sous l'unité.

Si une réparation est nécessaire, contactez le service clientèle de Hestan en indiquant les numéros de modèle et de série sur la plaque.

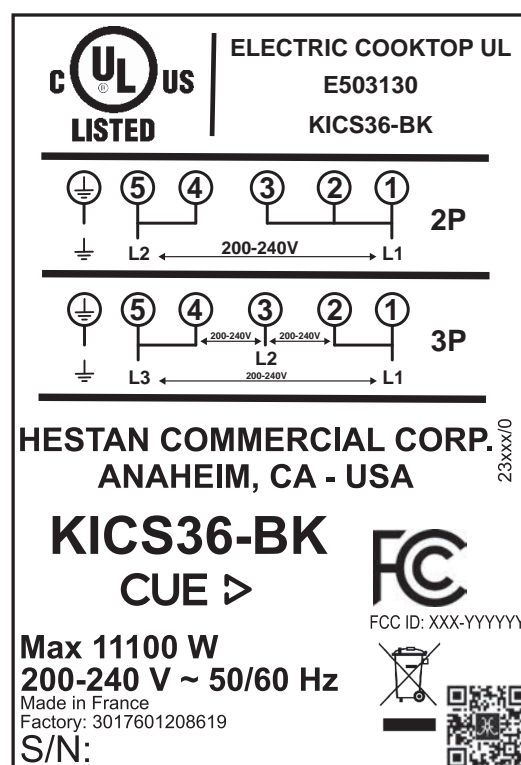
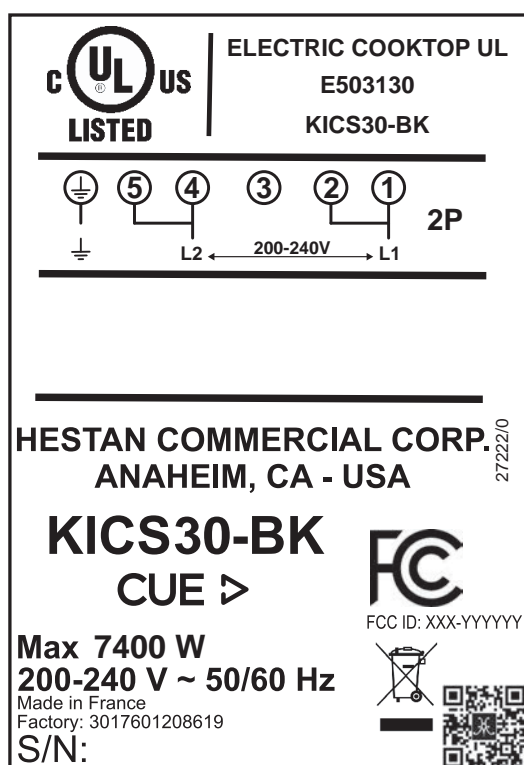
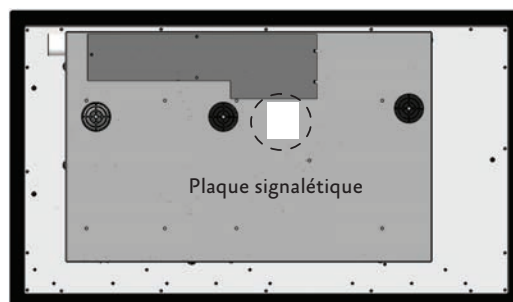


Figure 1. Plaque signalétique typique

RESPECT DE LA RÉGLEMENTATION ET DES CODES EN VIGUEUR

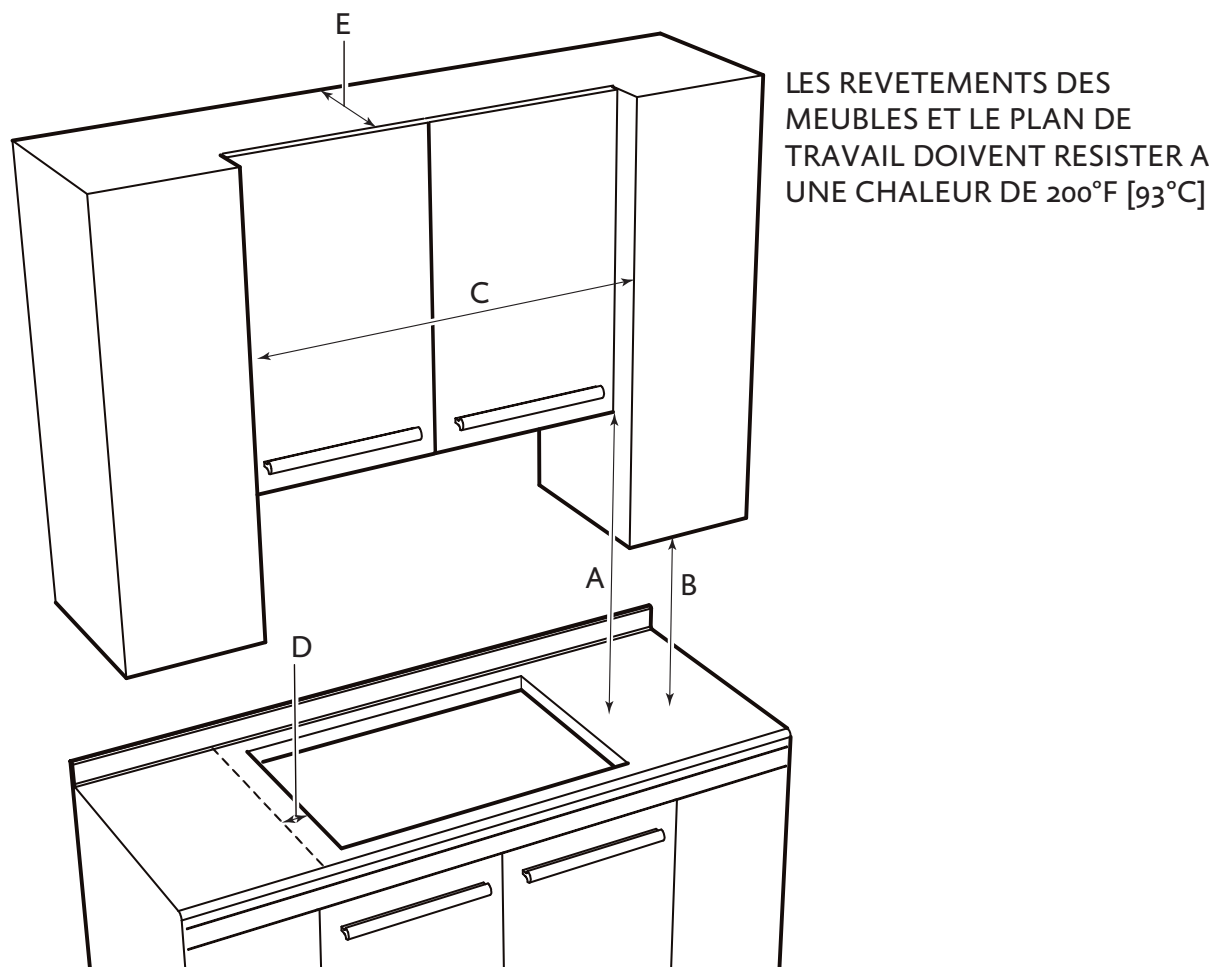
L'installation de cet appareil de cuisson doit être effectuée conformément aux codes locaux. En l'absence de tels codes, installer cet appareil conformément au National Electrical Code et les codes locaux.

Tous les composants électriques doivent être mis à la terre conformément aux codes locaux ou, en l'absence de tels codes, au National Electrical Code ANSI/NFPA 70 ou au Code national de l'électricité du Canada CSA C22.1.

DIMENSIONS DU PRODUIT ET EXIGENCES DE DÉCOUPE

EXIGENCES DE CABINET

Pour éliminer les risques de brûlures ou d'incendie en atteignant les unités de surface chauffées, les unités de rangement des armoires situées au-dessus des unités de surface doivent être évitées. Si le rangement de l'armoire doit être fourni, le risque peut être réduit en installant un capot qui dépasse horizontalement d'au moins 5 po [12,7 cm] du fond des armoires.



LES REVETEMENTS DES MEUBLES ET LE PLAN DE TRAVAIL DOIVENT RESISTER A UNE CHALEUR DE 200°F [93°C]

Figure 2. Dégagements de cabinet

Modèle	A	B	C
KICS30	30 po [76,2 cm] min. du plan de travail à la surface non protégée au-dessus, ou selon les exigences de la hotte de ventilation. *	18 po [45,7 cm] hauteur min. du plan de travail au meuble la plus proche de chaque côté de l'appareil.	30 po [76,2 cm] min
KICS36			36 po [91,4 cm] min
Modèle	D	E	
KICS30	2 po [5,1 cm] min. espace libre entre l'ouverture et la paroi latérale à gauche ou à droite de l'appareil. **	13 po [33 cm] profondeur d'armoires suspendues non protégées.	
KICS36			

* 30 po [76,2 cm] de dégagement minimum entre le dessus de la surface de cuisson et le fond d'une armoire en bois ou en métal non protégée.

** Il est permis de monter la table de cuisson aussi près que 2 po [5,1 cm] d'une armoire ou d'un mur d'un côté. L'autre côté doit être dégagé.

DIMENSIONS DU PRODUIT ET EXIGENCES DE DÉCOUPE (SUITE)

AVANT DE COMMENCER

AVIS

N'installez pas la table de cuisson au-dessus d'un four non ventilé ou d'un lave-vaisselle.

La table de cuisson mesure 2-1/2 po [6,4 cm] de profondeur et nécessite un dégagement d'au moins 1 po [2,5 cm] en dessous.

Si un tiroir est directement sous la table de cuisson, elle doit être résistante à la chaleur. Un tel tiroir doit être placé / disposé de sorte que rien ne puisse être tiré du tiroir dans les ventilateurs de ventilation de l'appareil.

CONSEILS IMPORTANTS DE PRÉPARATION

Biseautez tous les bords exposés du contre-plaqué décoratif pour empêcher qu'ils ne s'écaillent.

Arrondissez les quatre coins de la découpe et limez le pourtour pour que les bords soient lisses et que les coins ne se fissurent pas. Utilisez une mèche de 1/4 po [6,3 mm] ou 3/8 po [9,5 mm] pour percer les trous à chaque angle.

Si les bords ne sont pas lisses, l'intérieur des coins n'est pas arrondi et l'encastrement a été forcé, il est possible que le contre-plaqué du plan de travail se fendille.

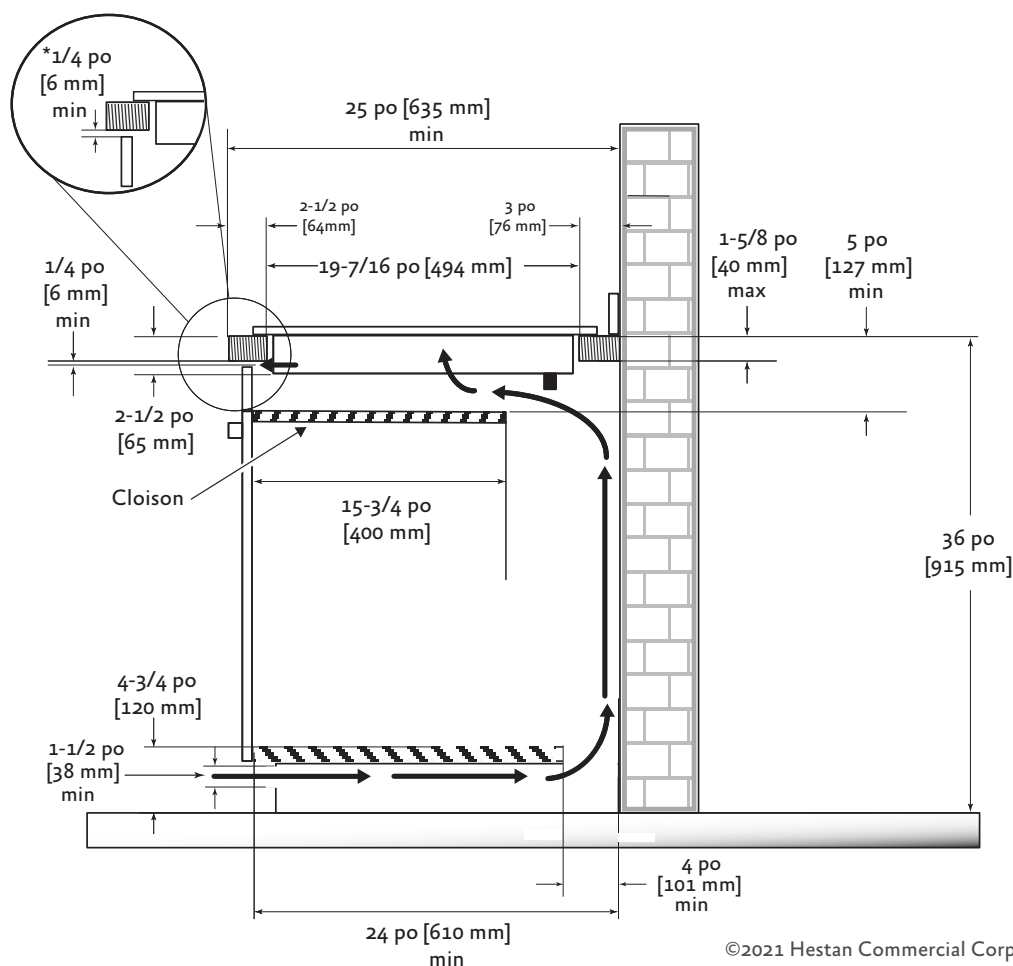
Si le matériau du comptoir est sensible à l'humidité, les bords coupés doivent être scellés avec un scellant approprié. Tous les matériaux et les adhésifs doivent pouvoir résister à des températures allant jusqu'à 200° F [93° C].

La boîte de jonction doit être accessible avec la table de cuisson en place.

Pour des raisons de service, il est conseillé d'avoir suffisamment d'accès au bas de la table de cuisson pour pouvoir la soulever.

DÉGAGEMENTS VERTICAUX

* L'ouverture d'aération doit être équivalente à la longueur de l'ouverture d'installation de la table de cuisson.



DIMENSIONS DU PRODUIT ET EXIGENCES DE DÉCOUPE (SUITE)

FR

Modèle	W
KICS30	30-5/16 po [77 cm]
KICS36	36-5/32 po [91,8 cm]

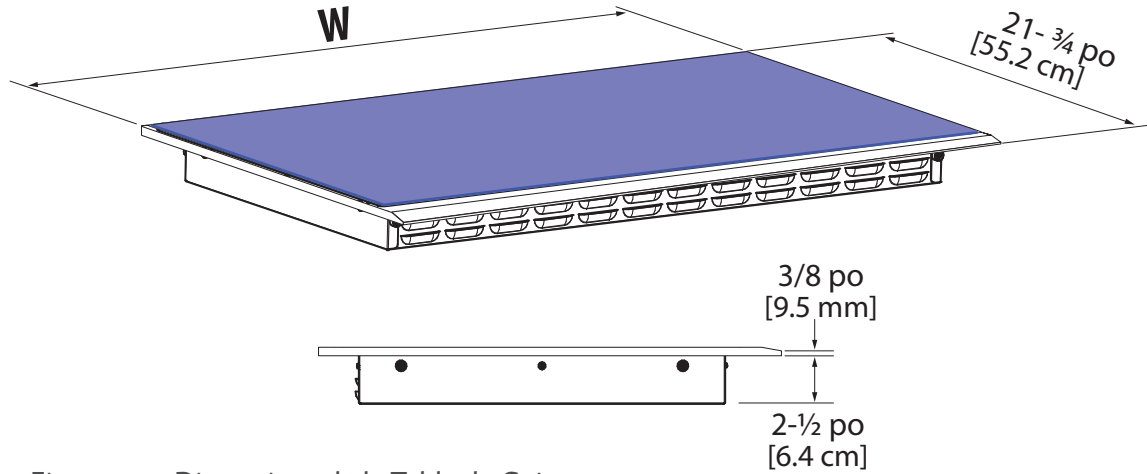


Figure 3. Dimensions de la Table de Cuisson

Modèle	F
KICS30	28-3/8 po [72 cm]
KICS36	34-1/4 po [87 cm]

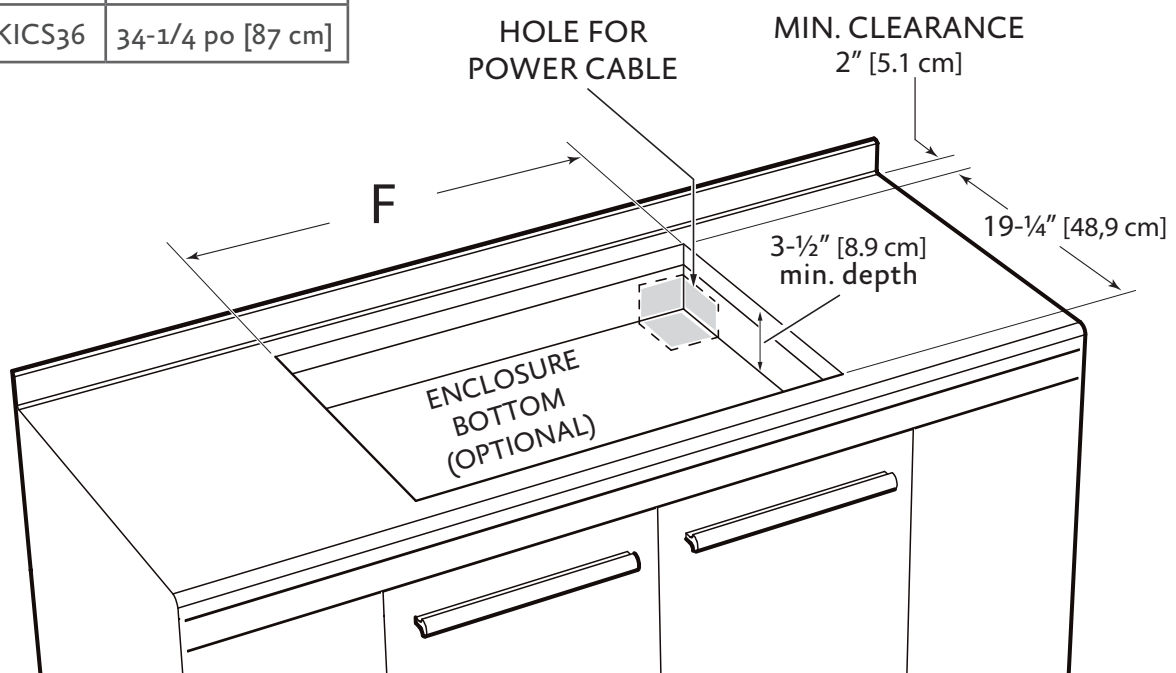


Figure 4. Dimensions de découpe

INSTALLATION DE LA TABLE DE CUISSON

▲ PRÉCAUTION

RISQUE DU FAIT DU POIDS EXCESSIF

Soyez à deux personnes ou plus pour porter et installer la table de cuisson. Sinon, vous risquez de vous blesser au dos ou de subir d'autres blessures.

RISQUE DE COUPURE

Attention aux bords tranchants. Portez des gants de protection ou utilisez les extrémités en polystyrène lorsque vous transportez le produit. Ne pas faire preuve de prudence peut entraîner des blessures légères ou des coupures.

Toujours consulter le fabricant du plan de travail pour les instructions spécifiques.

Bien vérifier que le plan de travail est carré et de niveau et assurez-vous qu'aucun élément structurel n'interfère avec l'espace requis.

Préparez la découpe conformément aux instructions (voir les dimensions de la découpe).

Assurez-vous que les éléments suspendus, le plan de travail et les meubles situés autour de la table de cuisson peuvent résister à la chaleur (jusqu'à 200°F / 93°C).

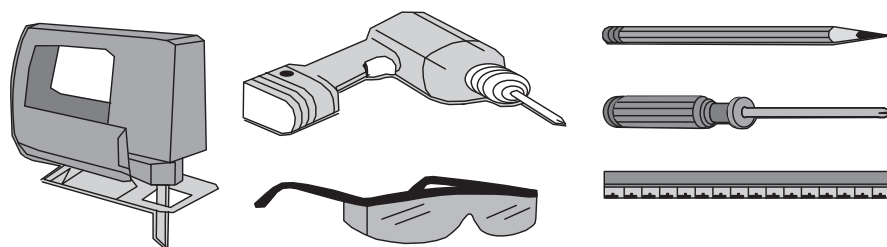


Figure 5. Outils nécessaires

ÉTAPE 1

Enlevez les matériaux d'emballage et la documentation de la table de cuisson avant de commencer l'installation. Lisez attentivement ce manuel d'installation avant de commencer.

ÉTAPE 2

Placez une serviette ou un chiffon sur la surface de travail. Placez l'appareil face cachée sur la zone protégée.

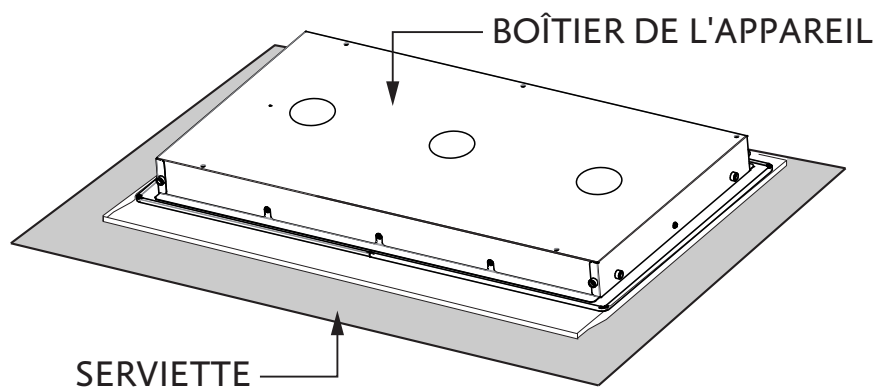


Figure 6. Protéger la surface

INSTALLATION DE LA TABLE DE CUISSON (SUITE)

ÉTAPE 3

Un ruban adhésif est fourni pour sceller la table de cuisson au comptoir. Appliquez cette adhésif sur le dessous de la vitre de la table de cuisson entre le corps de la table de cuisson et le bord intérieur du cadre.

Il devrait y avoir environ 3/32 po [2 mm] entre le bord du ruban et le bord du verre. Utilisez le ruban autour du périmètre de verre entier.

Le ruban adhésif fourni avec l'appareil permet d'éviter toute infiltration dans le meuble. Couper les extrémités de la adhésif de sorte qu'ils se rencontrent sans lacunes.

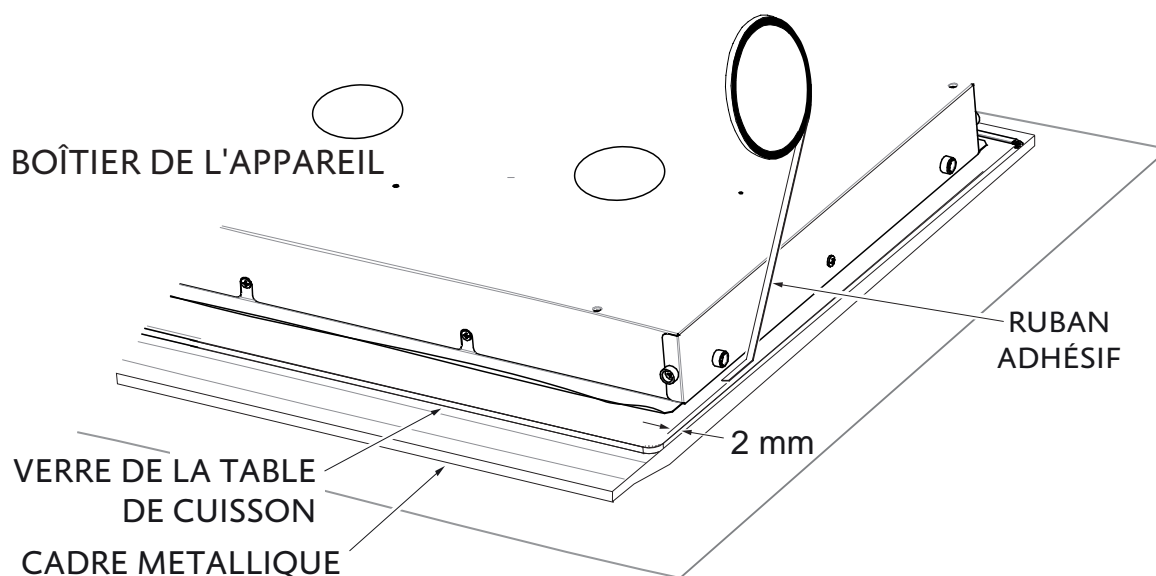


Figure 7. Appliquer du ruban adhésif

ÉTAPE 4

Faites une dernière vérification pour vous assurer que tous les dégagements requis sont respectés.

Passez le câble dans l'armoire si nécessaire. Insérez la table de cuisson centre de l'ouverture de la découpe. Vérifiez que le bord avant de l'appareil est parallèle à la plan de travail.

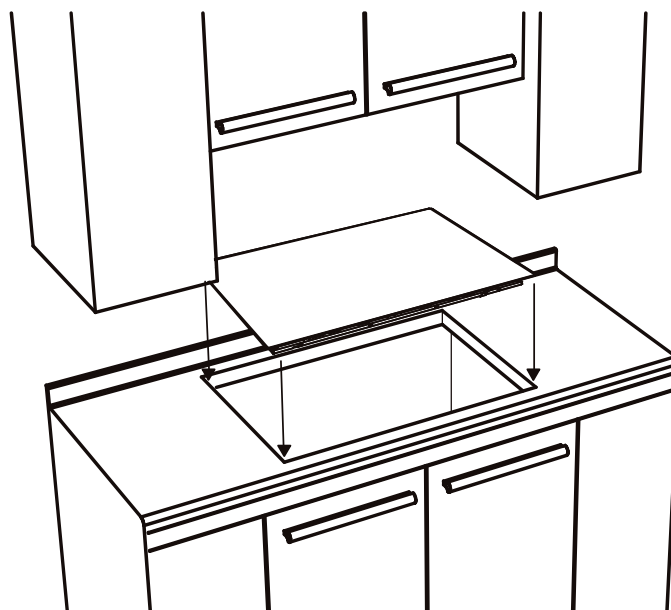


Figure 8. Placer la table de cuisson

INSTALLATION DE LA TABLE DE CUISSON (SUITE)

INSTALLATION SUR UN FOUR ENCASTRÉ SIMPLE

AVIS

FR

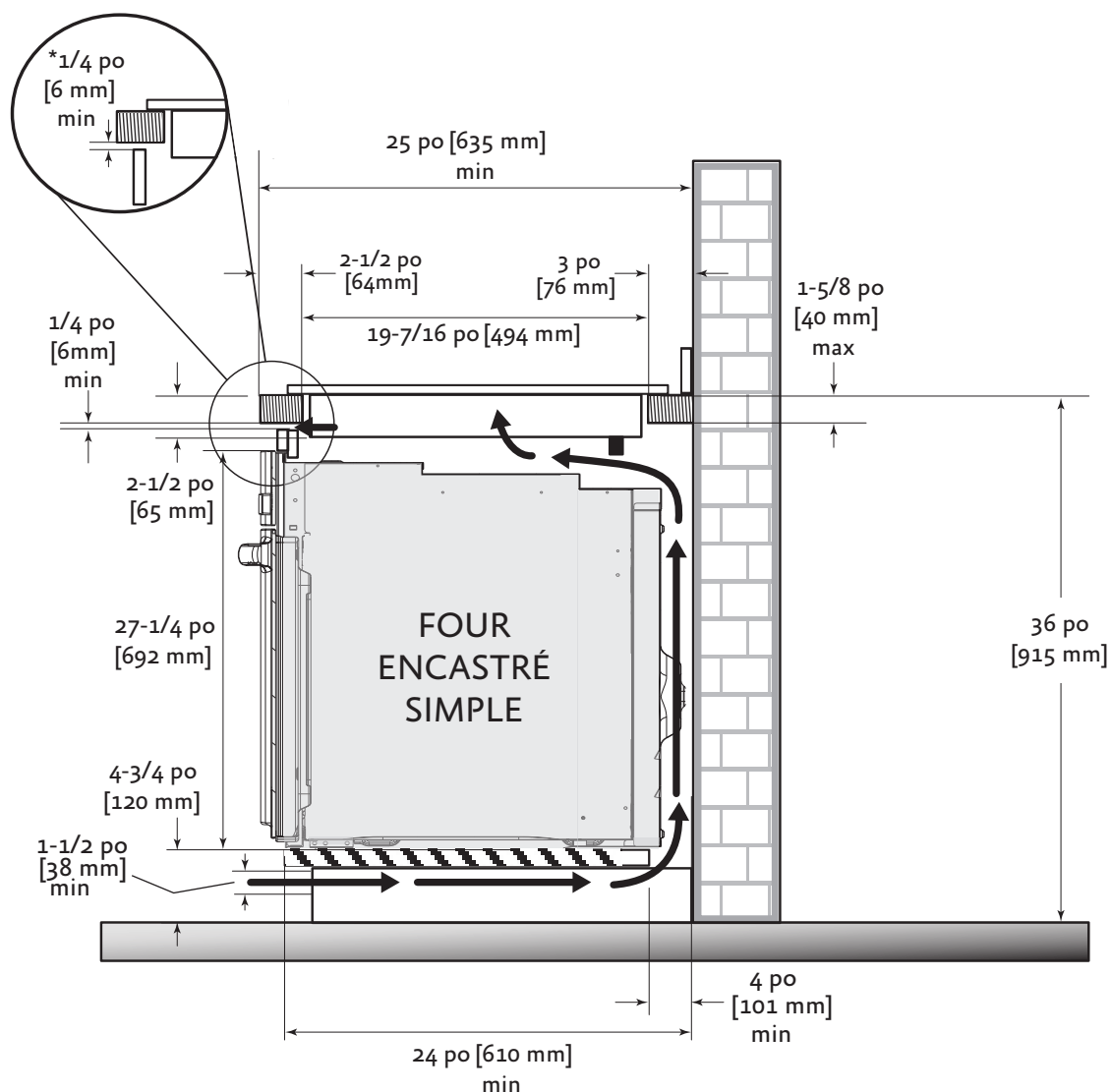
Utilisez les dimensions d'ouverture du comptoir fournies avec ces instructions.

La table de cuisson peut être installée sur un seul four. Le four doit sortir de l'enceinte de la table de cuisson.

La table de cuisson doit être centrée sur le four.

La table de cuisson et le four doivent être installés conformément à chaque instruction d'installation spécifique.

* L'ouverture d'aération doit être équivalente à la longueur de l'ouverture d'installation de la table de cuisson.



CONNEXIONS ELECTRIQUES



AVERTISSEMENT

Débranchez l'alimentation avant d'effectuer l'entretien du produit. Ne pas le faire pourrait entraîner la mort ou un choc électrique.



AVIS

Votre table de cuisson peut utiliser 200-240V à 50 ou 60 Hz.

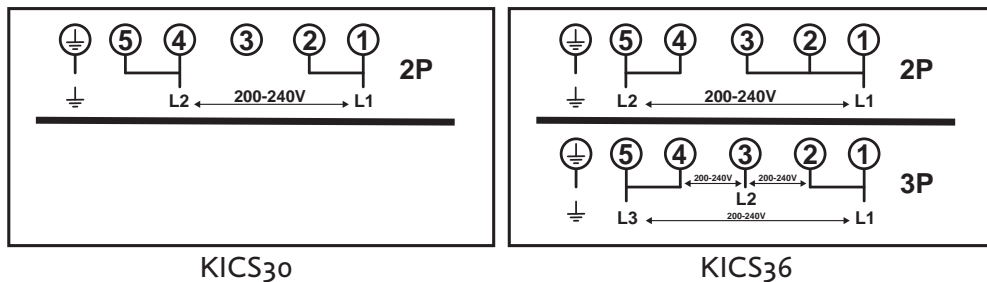
Les fils de connexion sont en cuivre 3x8 AWG.

Cette table de cuisson ne nécessite pas de connexion neutre. Si la table de cuisson doit être complètement enfermée dans une armoire, introduisez le câble de la table de cuisson dans l'ouverture de l'armoire.

Effectuez la connexion électrique en suivant les étapes appropriées pour votre installation.

Le conduit flexible de 3/4 po est de 4-1/2 pieds de long [1,37 m] situé à l'arrière droit du boîtier de la table de cuisson. Ne coupez pas le conduit. Il doit être connecté directement dans une boîte de jonction avec un connecteur de conduit répertorié U.L ou CSA.

- Un fusible temporisé ou un disjoncteur est recommandé.
- Ne mettez pas à la terre une conduite de gaz. Ne pas avoir de fusible dans le circuit de mise à la terre.
- Les deux lignes d'alimentation (phase) doivent être protégées par des fusibles ou un disjoncteur.
- Vérifiez que la configuration des cavaliers électriques au bas de l'unité est comme indiqué ci-dessous avant de rétablir l'alimentation. Une configuration incorrecte des cavaliers peut entraîner un code d'erreur / un fonctionnement incorrect de l'unité.



Un système électrique à trois fils monophasé de 200 à 240 volts à 60 cycles, correctement protégé contre les circuits conformément aux codes locaux de la NFPA n° 70 doit être fourni. L'unité doit être correctement mise à la terre conformément au code de câblage local. Le tableau de la page 2 recommande la taille minimale du disjoncteur de circuit si l'appareil est la seule unité sur le circuit.

Si des fils de plus petite taille sont utilisés, l'efficacité de l'unité sera réduite et un risque d'incendie peut être créé. Il est conseillé que le câblage électrique et le branchement soient effectués par un électricien compétent.

National Fire Protection Association (NFPA)
1 Batterymarch Park
Quincy, Massachusetts
02169-7471
USA

EMPLACEMENT DE LA BOÎTE DE JONCTION

Le CONDUIT ÉLECTRIQUE a une longueur de 4-1/2 pieds [1,37 m].

NE COUPEZ PAS CE CONDUIT.

La boîte de jonction doit être située à un endroit où il y aura un mou considérable dans le conduit pour l'entretien.

- Placez la boîte de jonction de sorte que le conduit puisse facilement l'atteindre. Assurez-vous que le conduit dégagera les tiroirs ou autres obstructions.
- Installez la boîte de dérivation de sorte qu'elle puisse être atteinte par l'avant de l'armoire.

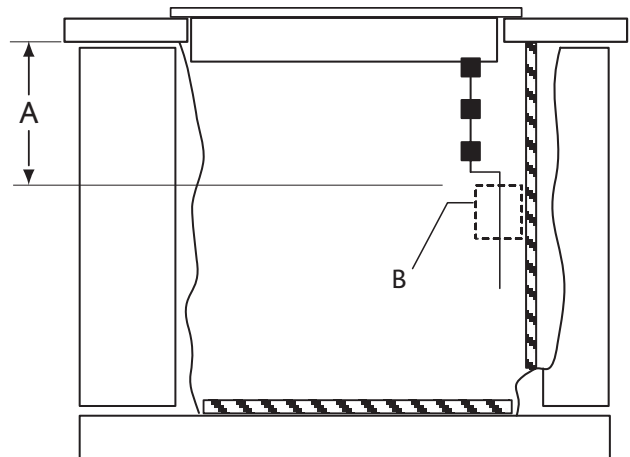


Figure 9. Emplacement de la connexion électrique

CONNEXIONS ELECTRIQUES (SUITE)

FR

Cet appareil est fabriqué avec un conducteur de terre vert connecté au châssis de la table de cuisson. Après vous être assuré que l'appareil était hors tension, branchez le conduit flexible depuis la table de cuisson à la boîte de jonction en utilisant un connecteur de conduit U.L. listé. Les instructions fournies ci-dessous représentent la manière la plus commune de brancher un table de cuisson. Bien entendu, vos codes et ordonnances locaux ont préséance sur ces instructions. Effectuez les connexions électriques conformément aux codes et aux ordonnances locaux.

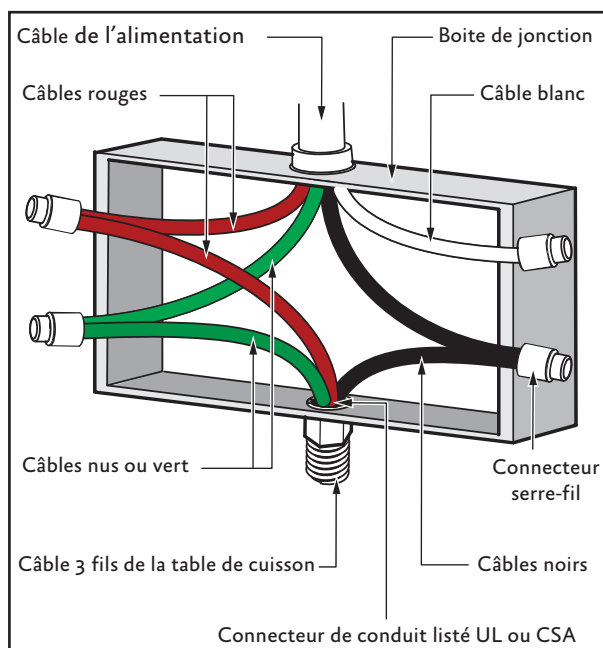
⚠ AVERTISSEMENT

RISQUE DE CHOC ELECTRIQUE. Le cadre est mis à la terre au neutre de l'appareil via un lien.

La mise à la terre par le conducteur neutre est interdite pour les nouvelles installations de circuit de dérivation (NEC 1996); maisons mobiles et véhicules récréatifs, ou dans une zone où les codes locaux interdisent la mise à la terre par le conducteur neutre.

CONNEXION À 4 FILS

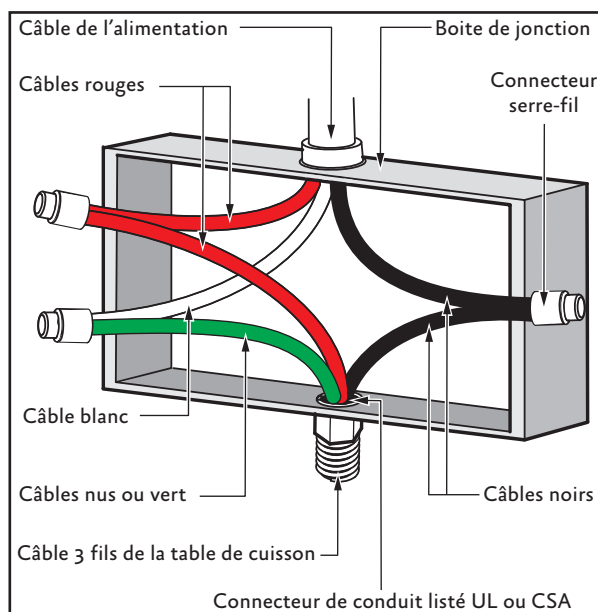
1. Connectez le fil de terre vert du table de cuisson au fil de terre dans le boîte de jonction (fil nu ou coloré vert).
2. Connectez les fils rouge et noir de la table de cuisson aux fils correspondants dans la boîte de jonction.
3. Terminez et isolez le fil neutre (gris ou blanc) dans la boîte de jonction.



CONNEXION À 3 FILS

Lorsque les codes locaux autorisent la connexion du fil de terre de la table de cuisson au fil neutre du circuit de dérivation (fil de couleur grise ou blanche), procédez comme suit:

1. Si les codes locaux le permettent, connectez le fil vert (TERRE) de la table de cuisson au fil neutre du circuit de dérivation (fil de couleur grise ou blanc).
2. Connectez les fils rouge et noir de la table de cuisson aux fils correspondants dans la boîte de jonction.



Lorsque les codes locaux autorisent la connexion du conducteur de mise à la terre du châssis au fil neutre (blanc) de la boîte de jonction.

(Non utilisé pour les installations Canadiennes)

CONFIGURATION FINALE

NETTOYAGE, VÉRIFIEZ LA PUISSANCE

Retirez tous les matériaux d'emballage final et le film protecteur de toutes les zones extérieures.

Vérifiez les exigences électriques pour l'alimentation électrique correcte et que la table de cuisson est correctement mise à la terre.

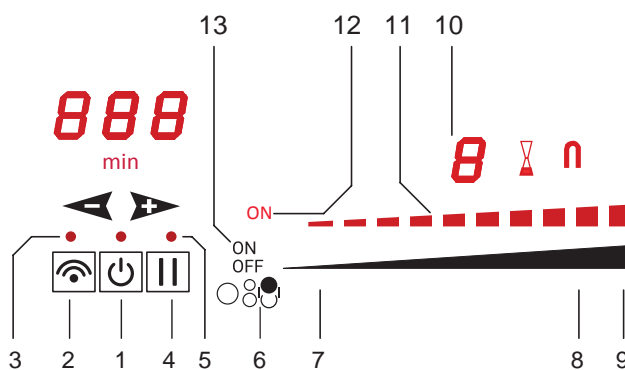
Vérifiez l'alimentation des fils de la boîte de jonction à l'aide d'un voltmètre de 0-250 VCA.

- Une alimentation de 240 volts devrait lire entre 220 et 240 volts entre les fils noir et rouge (ligne à ligne).
- Une alimentation de 208 volts devrait lire entre 190 et 208 volts entre les fils noir et rouge.

TEST FONCTIONNEL

Le test suivant confirmera que la table de cuisson fonctionne correctement.

- 1) Remplir un ustensile de cuisson à induction avec 1/2 - 1 po [1.2-2.5 cm] d'eau et placez-la sur l'une des zones de cuisson.
- 2) Allumez la commande en appuyant sur la touche [ON OFF] principal (1).
- 3) Appuyez sur la bouton de sélection de zone (13) pour la zone de cuisson où se trouve l'ustensile de cuisson.
- 4) Appuyez sur le curseur d'alimentation de cette zone et réglez-le sur un niveau compris entre 3 et 9.
- 5) Observez que l'écran réagit au réglage de de puissance et que la ustensil de cuisson commence à chauffer.
- 6) Appuyez sur la bouton de sélection (13) de cette zone pour l'éteindre.
- 7) Appuyez sur la touche [ON OFF] pour éteindre la table de cuisson.



Article	Objectif	Article	Objectif
1	Bouton de Marche/Arrêt principal	8	Curseur de puissance - puissance maximale
2	Bouton de connectivité	9	Zone du curseur activation Power Booster
3	Indicateur de connectivité	10	Afficheur niveau zone de cuisson
4	Bouton Pause / reprise	11	Indicateur de niveau de puissance
5	Indicateur de pause	12	Indication sur la zone
6	Graphique de la zone de cuisson contrôlée	13	Bouton de sélection de zone Marche/Arrêt (zone ON / OFF)
7	Curseur de puissance - puissance minimale		

CRITÈRES

Si les commandes répondent comme décrit et si l'ustensile de cuisson se réchauffe, le test est réussi.

LISTE DES PIÈCES

Visiter le site Web Hestan pour consulter la liste des pièces de ce produit:
www.hestanhome.com.

FR

SERVICE

Toutes les réparations dans le cadre ou en dehors de la garantie doivent être effectuées par du personnel d'entretien qualifié. Pour localiser un réparateur agréé dans la région, s'adresser au concessionnaire Hestan, au représentant local ou à l'usine. Avant d'appeler, veiller à avoir les numéros de modèle et de série à portée de la main.

Hestan Commercial Corporation
3375 E. La Palma Avenue
Anaheim, CA 92806
(888) 905-7463

RETAIN THIS MANUAL FOR FUTURE REFERENCE
CONSERVEZ CE MANUEL POUR UNE RÉFÉRENCE FUTURE



Hestan Commercial Corporation

3375 E. La Palma Avenue

Anaheim, CA 92806

(888) 905-7463