

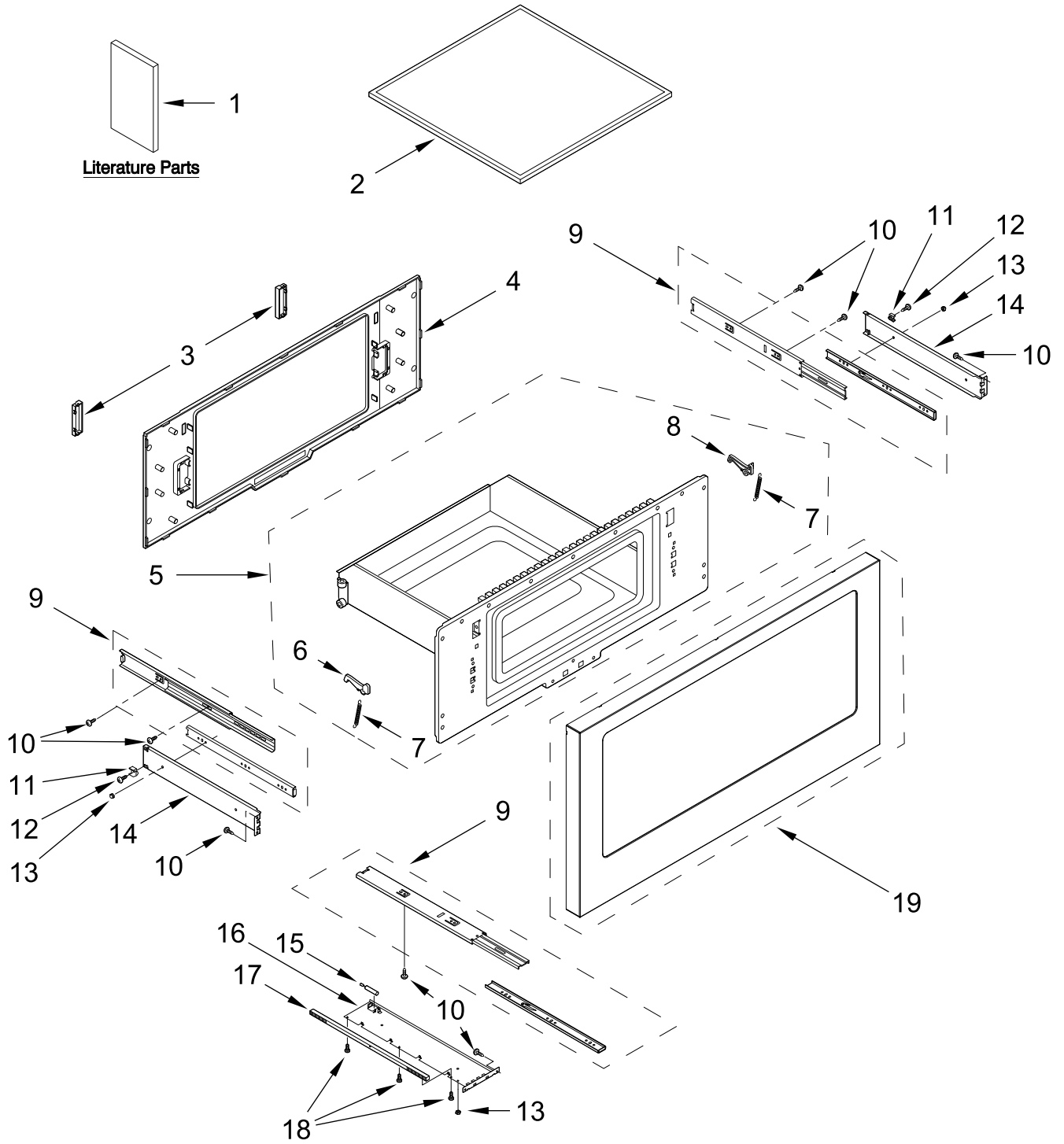
KitchenAid®

1.2 CUBIC FOOT MICROWAVE DRAWER

MODELS:

KMBD104GSS01 (Stainless)

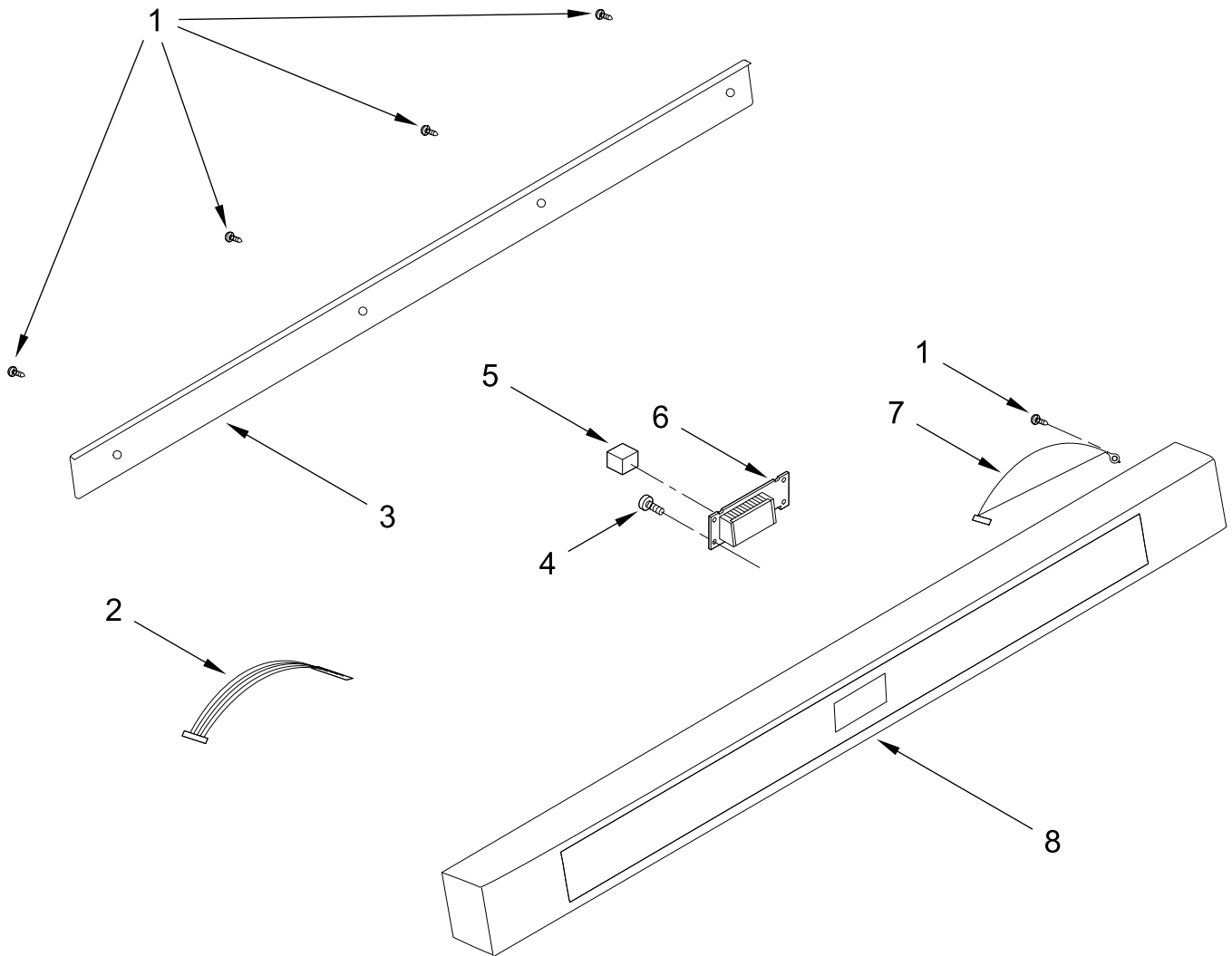
DRAWER PARTS



DRAWER PARTS

| <u>Illus. No.</u> | <u>Part No.</u> | <u>Description</u> | <u>Illus. No.</u> | <u>Part No.</u> | <u>Description</u> | <u>Illus. No.</u> | <u>Part No.</u> | <u>Description</u> |
|-------------------|-----------------|---------------------------|-------------------|-----------------|---------------------|-------------------|-----------------|------------------------------------|
| 1 | | Literature Parts | 7 | W11201874 | Spring, Latch | 16 | W11201393 | Support, Bottom |
| | W11103357 | Installation Instructions | 8 | W11201872 | Hook, Latch (Right) | 17 | W11201777 | Gear, Drawer |
| | W11103355 | Use and Care Guide | 9 | W11201775 | Slide, Drawer | 18 | W10278647 | Screw |
| 2 | W11214965 | Tray, Oven | 10 | 8205835 | Screw | 19 | W11209971 | Panel, Door |
| 3 | W11201390 | Cover, Support | 11 | W11199897 | Stopper, Door | | | FOLLOWING PARTS NOT ILLUSTRATED |
| 4 | W11201870 | Cover, Choke | 12 | W10278632 | Screw | | W11199540 | Cord, Power |
| 5 | W11315618 | Assembly, Drawer | 13 | W10278889 | Nut | | W11362536 | Harness, Main |
| 6 | W11201873 | Hook, Latch (Left) | 14 | W11209960 | Support, Side | | | |
| | | | 15 | W11201804 | Piston, Door Stop | | | |

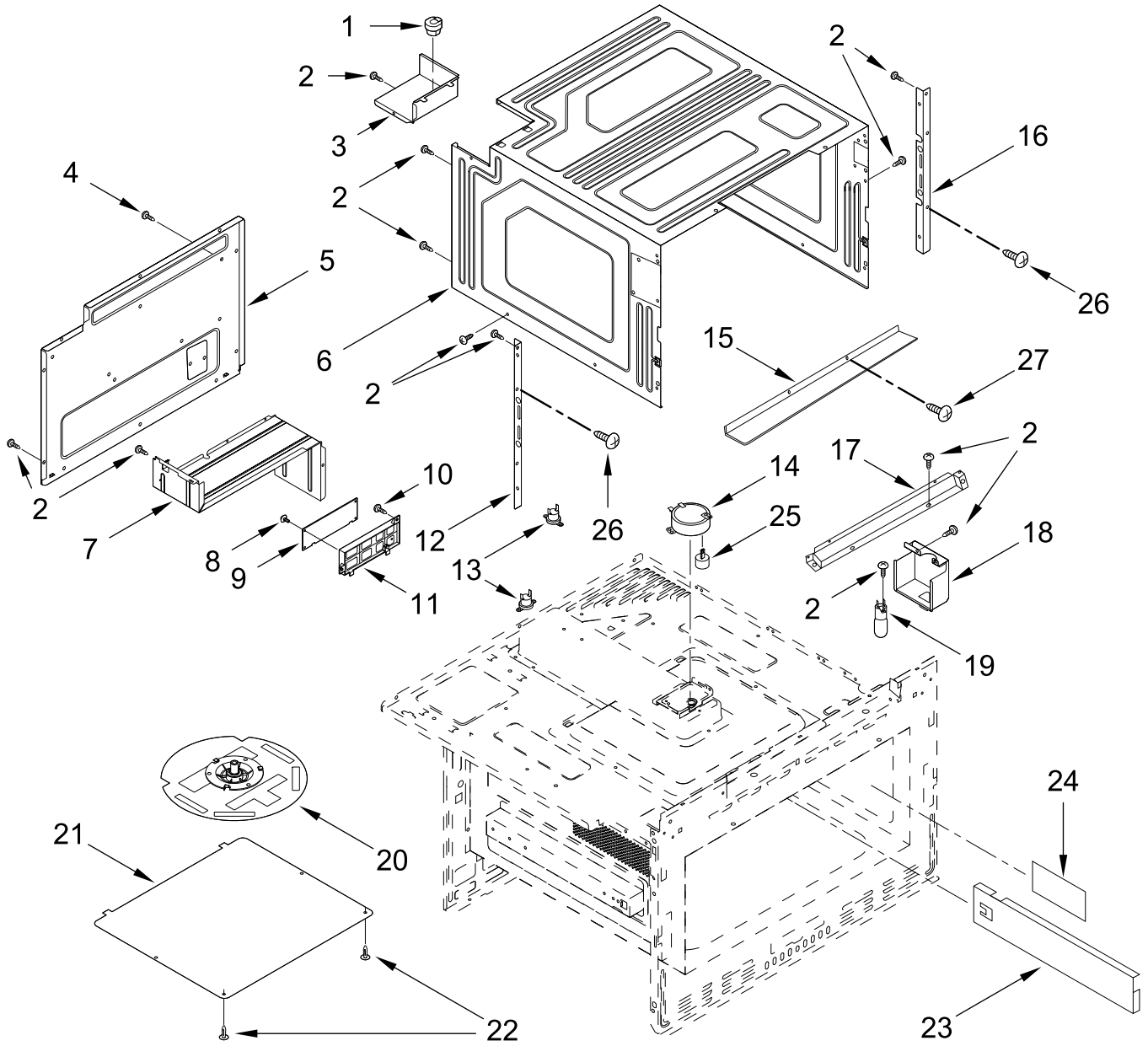
CONTROL PANEL PARTS



CONTROL PANEL PARTS

| <u>Illus.</u> <u>No.</u> | <u>Part No.</u> | <u>Description</u> | <u>Illus.</u> <u>No.</u> | <u>Part No.</u> | <u>Description</u> | <u>Illus.</u> <u>No.</u> | <u>Part No.</u> | <u>Description</u> |
|-----------------------------|-----------------|---------------------------|-----------------------------|-----------------|--------------------|-----------------------------|-----------------|---------------------|
| 1 | 8205835 | Screw | 3 | W11199889 | Bracket, Panel | 6 | W11330996 | Control, Electronic |
| 2 | W11199895 | Harness, Touch Control | 4 | 8185369 | Screw | 7 | W11199896 | Wire, Ground |
| | | | 5 | W11199894 | Cushion, Control | 8 | W11209952 | Panel, Control |

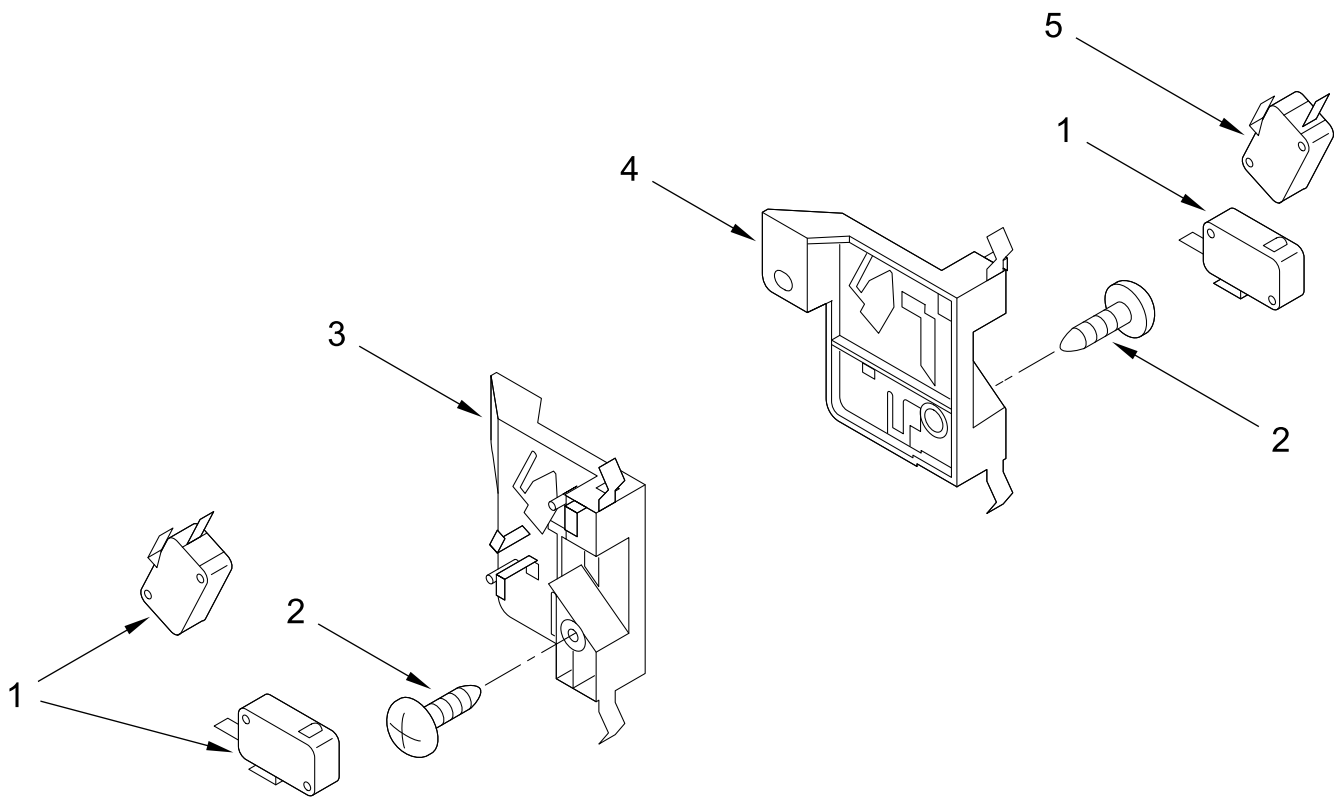
OVEN CAVITY PARTS



OVEN CAVITY PARTS

| <u>Illus.</u> <u>No.</u> | <u>Part No.</u> | <u>Description</u> | <u>Illus.</u> <u>No.</u> | <u>Part No.</u> | <u>Description</u> | <u>Illus.</u> <u>No.</u> | <u>Part No.</u> | <u>Description</u> |
|-----------------------------|-----------------|---------------------|-----------------------------|-----------------|--------------------|-----------------------------|-----------------|-------------------------|
| 1 | W11199864 | Bushing, Power Cord | 11 | W11201748 | Holder, Relay | 22 | W11362541 | Clip, Cover |
| 2 | W10278632 | Screw | 12 | W11209950 | Bracket, Left | 23 | W11201857 | Panel, Bottom Partition |
| 3 | W11199863 | Bracket, Power Cord | 13 | W11199547 | Cut-Out, Thermal | 24 | W11201855 | Glass, Lamp |
| 4 | W10278891 | Screw | 14 | W11362534 | Motor, Stirrer | 25 | W11362542 | Shaft, Stirrer Motor |
| 5 | W11201389 | Cover, Rear | 15 | W11199858 | Deflector | 26 | W11251704 | Screw, Mounting (Wood) |
| 6 | W11199812 | Case, Outer | 16 | W11363045 | Bracket, Right | 27 | W11251705 | Screw, Deflector |
| 7 | W11201800 | Panel, Partition | 17 | W11209962 | Cover, Faceplate | | | |
| 8 | 8185369 | Screw | 18 | W11201790 | Cover, Lamp | | | |
| 9 | W11199539 | Relay, Power | 19 | W10278184 | Assembly, Lamp | | | |
| 10 | 8205835 | Screw | 20 | W11362539 | Blade, Stirrer | | | |
| | | | 21 | W11201789 | Cover, Stirrer | | | |

SWITCH PARTS

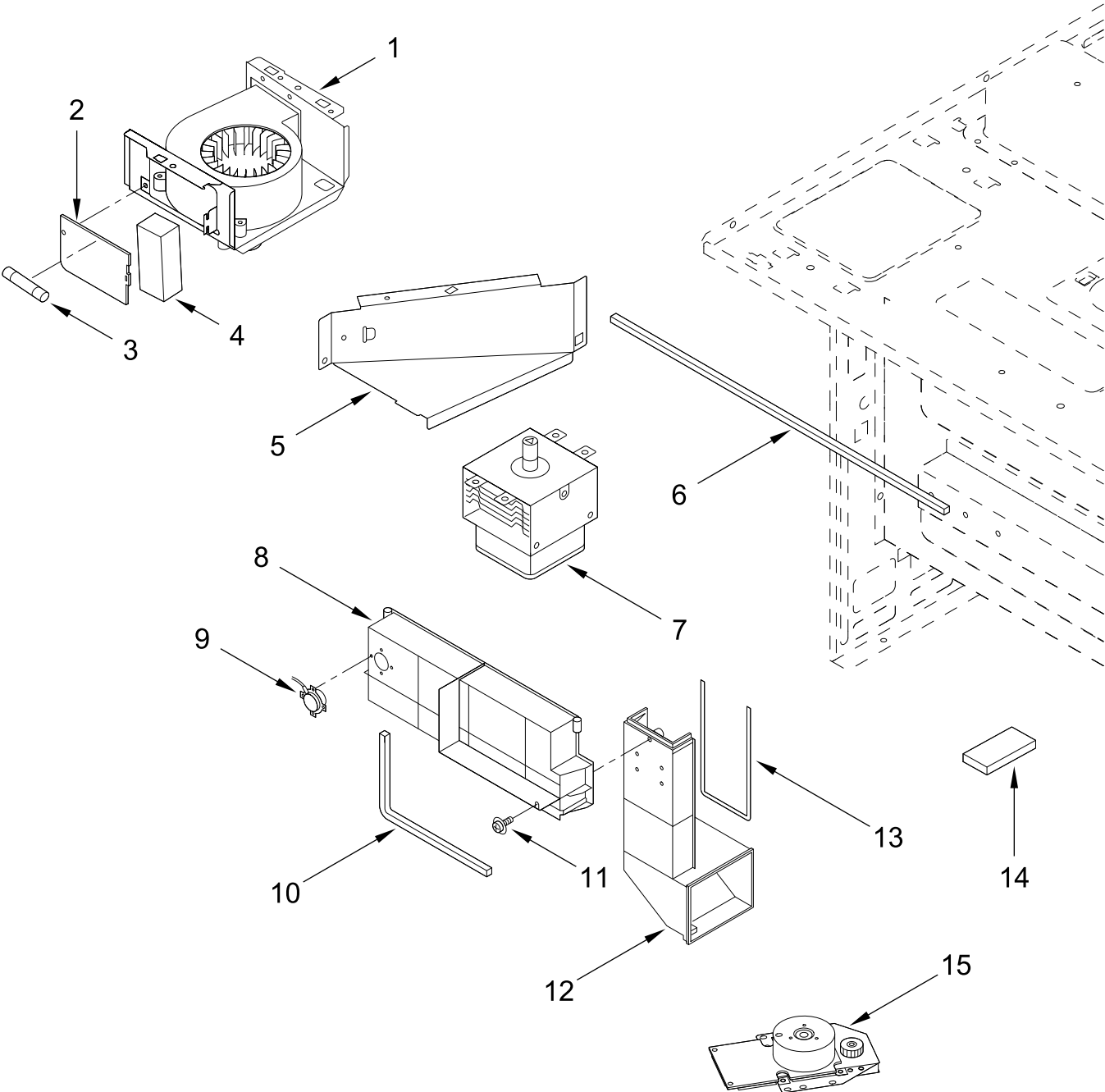


SWITCH PARTS

| <u>Illus.</u> <u>No.</u> | <u>Part No.</u> | <u>Description</u> |
|-----------------------------|-----------------|--------------------|
| 1 | W11199805 | Microswitch |
| 2 | 4174784 | Screw |
| 3 | W11201860 | Latch, Door (Left) |

| <u>Illus.</u> <u>No.</u> | <u>Part No.</u> | <u>Description</u> |
|-----------------------------|-----------------|-----------------------------|
| 4 | W11201858 | Latch, Door (Right) |
| 5 | W11305909 | Switch, Monitor (with Fuse) |

INTERIOR PARTS



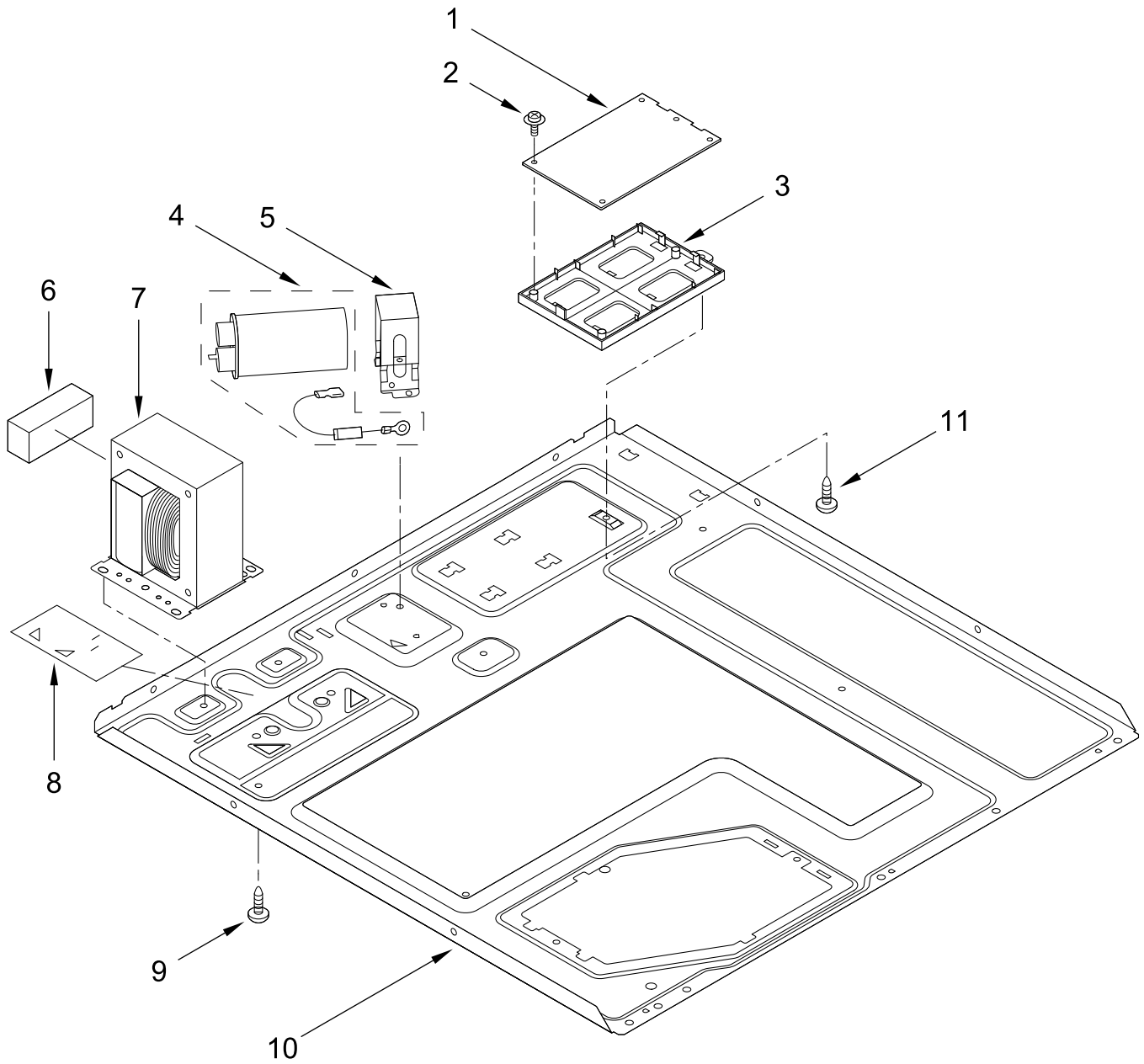
INTERIOR PARTS

| <u>Illus.</u> <u>No.</u> | <u>Part No.</u> | <u>Description</u> |
|-----------------------------|-----------------|-------------------------------|
| 1 | W11362533 | Motor, Fan |
| 2 | W11199545 | Filter, Noise |
| 3 | W11315605 | Fuse (20A) |
| 4 | W11201861 | Cushion, Fan Motor Support |
| 5 | W10278107 | Duct, Magnetron |

| <u>Illus.</u> <u>No.</u> | <u>Part No.</u> | <u>Description</u> |
|-----------------------------|-----------------|--------------------|
| 6 | W11201793 | Cushion, Inlet |
| 7 | W11209949 | Magnetron |
| 8 | W11201852 | Duct, Sensor |
| 9 | W10278023 | Assembly, Sensor |
| 10 | W11201803 | Cushion, Duct |
| 11 | W10278632 | Screw |

| <u>Illus.</u> <u>No.</u> | <u>Part No.</u> | <u>Description</u> |
|-----------------------------|-----------------|--------------------------|
| 12 | W11201854 | Duct, Exhaust |
| 13 | W11201796 | Cushion, Exhaust Duct |
| 14 | W11201802 | Cushion, Air Flow |
| 15 | W11199810 | Assembly, Drawer Gear |

BASE PLATE PARTS



BASE PLATE PARTS

| <u>Illus.</u> <u>No.</u> | <u>Part No.</u> | <u>Description</u> | <u>Illus.</u> <u>No.</u> | <u>Part No.</u> | <u>Description</u> | <u>Illus.</u> <u>No.</u> | <u>Part No.</u> | <u>Description</u> |
|-----------------------------|-----------------|-------------------------|-----------------------------|-----------------|---------------------------|-----------------------------|-----------------|--------------------|
| 1 | W11199538 | Supply, Power | 5 | W11201396 | Bracket, Capacitor | 8 | W11202128 | Cover, Waveguide |
| 2 | 8185369 | Screw | 6 | W11201794 | Cushion, Transformer | 9 | W10278632 | Screw |
| 3 | W11201745 | Holder, Control | 7 | W11199548 | Transformer, High Voltage | 10 | W11201391 | Plate, Base |
| 4 | W11362530 | Capacitor, High Voltage | | | | 11 | 8205835 | Screw |